



US00D386200S

United States Patent [19]

Winston

[11] Patent Number: **Des. 386,200**

[45] Date of Patent: ****Nov. 11, 1997**

[54] COMBINED STAMP PAD AND CONTAINER

[76] Inventor: **Jeffrey M. Winston, 658 W. Shore Dr., Anacortes, Wash. 98221**

[**] Term: **14 Years**

[21] Appl. No.: **60,726**

[22] Filed: **Oct. 4, 1996**

[51] LOC (6) Cl. **19-02**

[52] U.S. Cl. **D18/17**

[58] Field of Search **D18/15, 16, 17, D18/18; D28/8.1, 8.2; 118/264, 268; 101/333, 327, 405, 406**

[56] References Cited

U.S. PATENT DOCUMENTS

- D. 70,131 5/1926 Leviten et al. .
- D. 78,772 6/1929 McCartney .
- D. 130,571 12/1941 Lewis .
- D. 131,541 10/1942 Stoner et al. D28/8.1
- D. 132,936 6/1942 Pommier .
- D. 145,073 6/1946 Foret et al. D86/10
- D. 163,496 5/1951 Van Prooyen, Jr. D74/1
- D. 223,056 3/1972 Mejewski D64/10
- D. 331,418 12/1992 Winston D18/15
- D. 342,806 12/1993 Jones et al. D28/73
- D. 349,815 8/1994 Wolff D3/319
- D. 349,977 8/1994 Shen D28/78
- D. 353,392 12/1994 Winston D18/15
- D. 360,487 7/1995 Ko D28/78

- D. 363,303 10/1995 Winston D18/18
- D. 366,894 2/1996 Vesey D18/17
- D. 367,291 2/1996 Winston D18/17
- D. 367,878 3/1996 Lee et al. D18/17
- D. 367,879 3/1996 Smith et al. D18/18
- D. 372,731 8/1996 Yasoshima D18/17
- D. 372,933 8/1996 Winston D18/17
- 5,505,130 4/1996 Winston 101/333

OTHER PUBLICATIONS

Stamp Products Resource Book 1994-1995, Clearsnap, Inc., Anacortes, WA, pp. 48 and 50.

Primary Examiner—Louis S. Zarfes

Assistant Examiner—Frank Martinez

Attorney, Agent, or Firm—Michael R. Schacht; Hughes, Multer & Schacht, P.S.

[57] CLAIM

The ornamental design for a combined stamp pad and container, as shown and described.

DESCRIPTION

FIG. 1 is a perspective view of a combined stamp pad and container showing my new design;
 FIG. 2 is a top plan view thereof;
 FIG. 3 is a side elevational view thereof, the opposite side being identical;
 FIG. 4 is an end elevational view thereof, the opposite end being identical; and,
 FIG. 5 is a bottom plan view thereof.

1 Claim, 2 Drawing Sheets

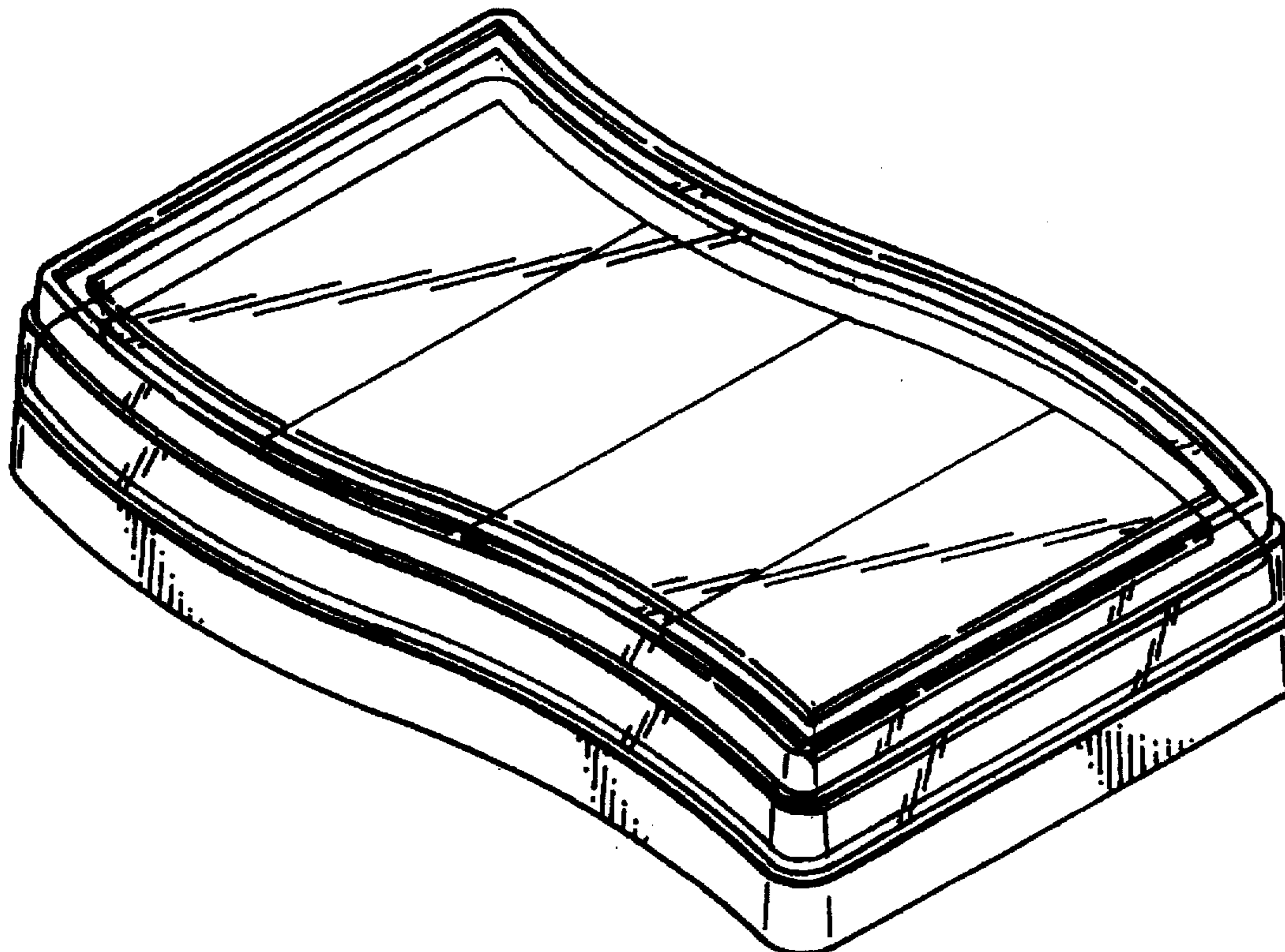


FIG. 1

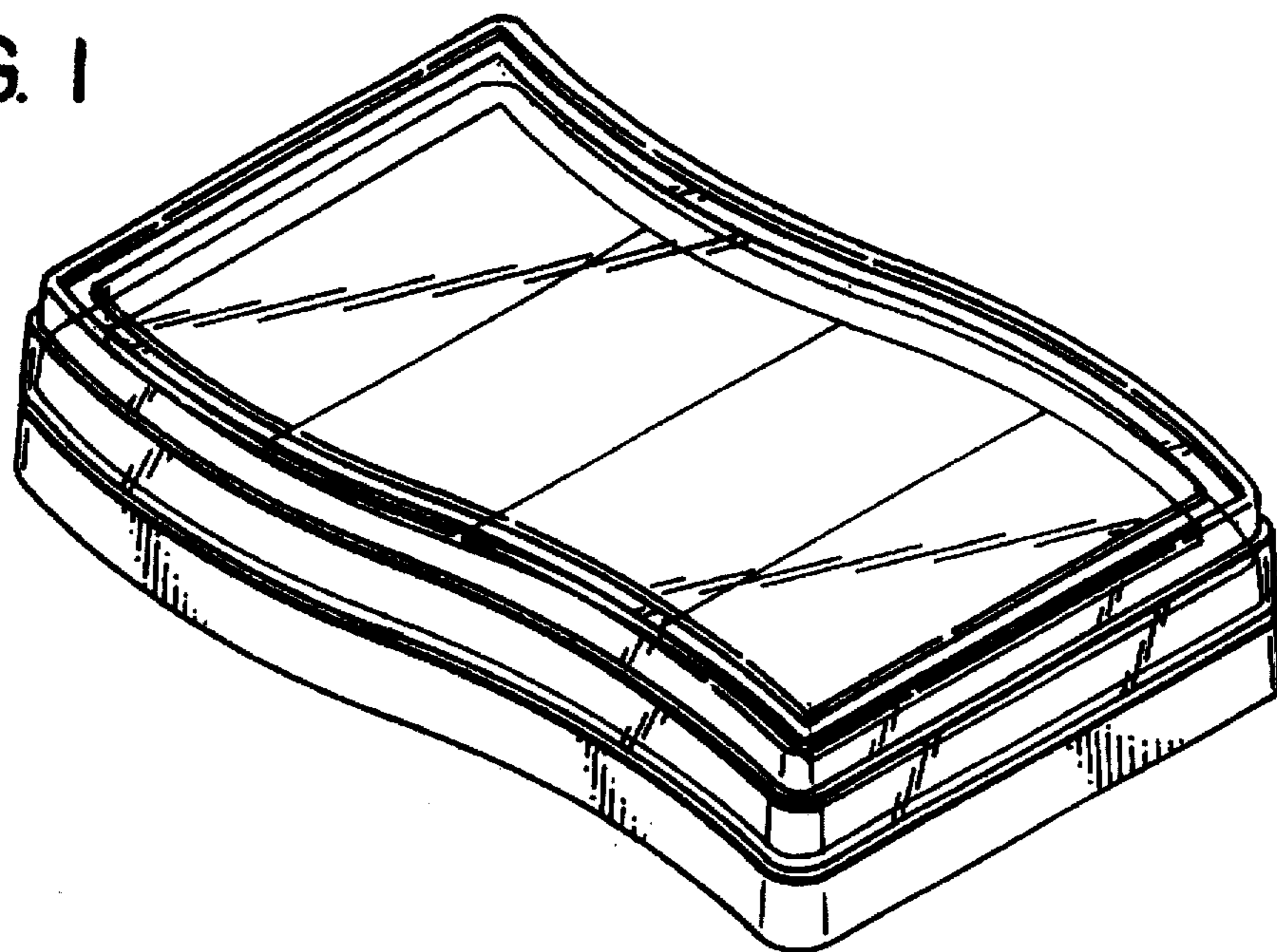


FIG. 2

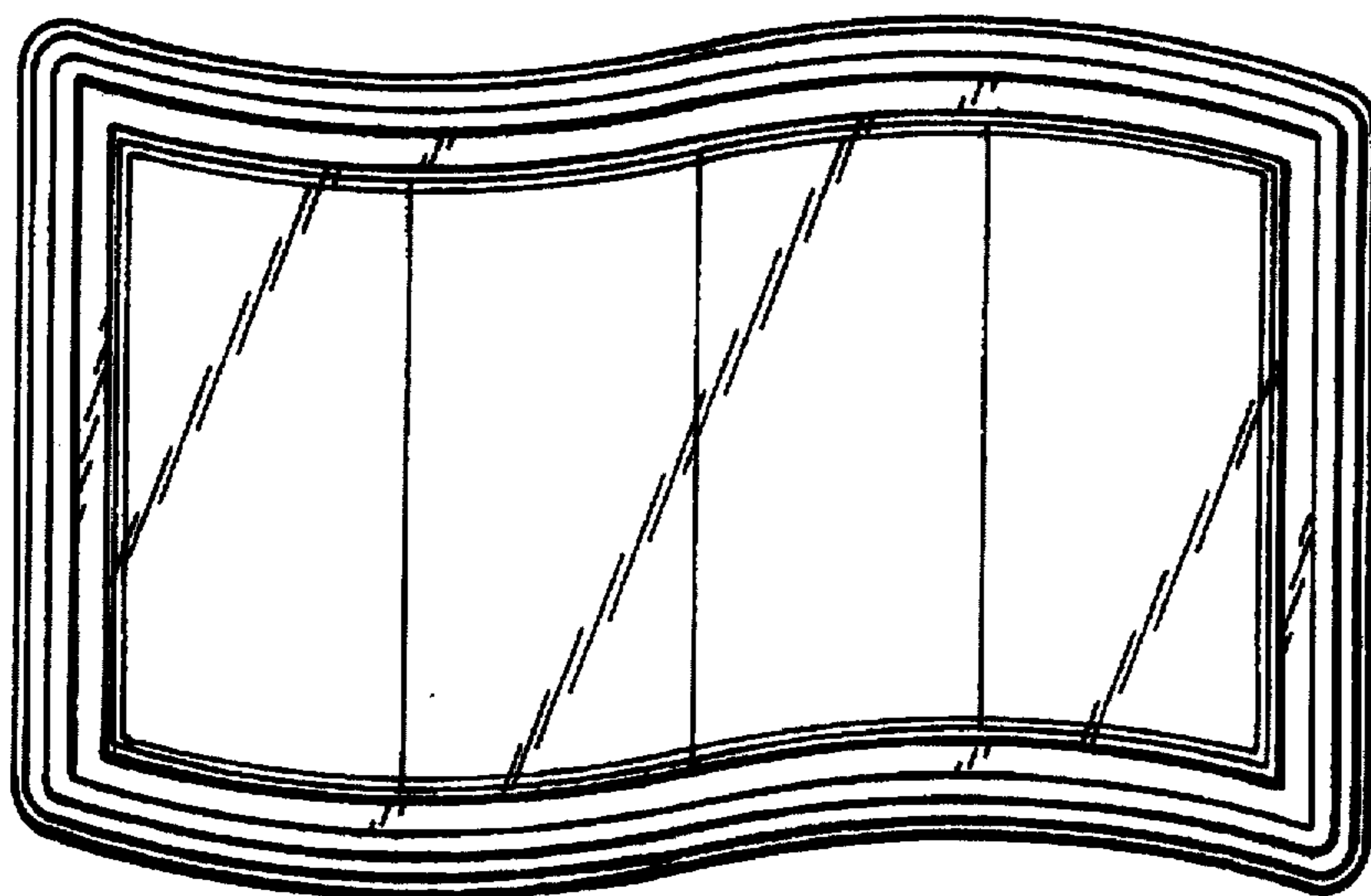


FIG. 3



FIG. 4



FIG. 5

