



US00D386196S

United States Patent [19]
Ikenaga

[11] **Patent Number: Des. 386,196**
[45] **Date of Patent: **Nov. 11, 1997**

[54] **DIGITAL STILL CAMERA**

Attorney, Agent, or Firm—Morgan & Finnegan

[75] **Inventor: Takashi Ikenaga, Tokyo, Japan**

[57] **CLAIM**

[73] **Assignee: Sony Kabushiki Kaisha (Sony Corporation), Tokyo, Japan**

The ornamental design for the digital still camera, as shown and described.

[**] **Term: 14 Years**

DESCRIPTION

[21] **Appl. No.: 58,081**

FIG. 1 is a front perspective view of the digital still camera in accordance with the present invention;

[22] **Filed: Aug. 6, 1996**

FIG. 2 is a front perspective view of the digital still camera shown in operating condition with the lens telescoped;

[51] **LOC (6) Cl. 16-01**

[52] **U.S. Cl. D16/202; D16/203**

FIG. 3 is a front elevation view of the digital still camera of FIG. 1;

[58] **Field of Search D16/200-205; 348/143; 396/427, 535-543; 358/906, 909.1**

FIG. 4 is a rear elevation view of the digital still camera of FIG. 1;

[56] **References Cited**

U.S. PATENT DOCUMENTS

D. 277,961	3/1985	Shimizu et al.	D16/202
D. 303,674	9/1989	Shimizu et al.	D16/202
D. 312,649	12/1990	Sakuta	D16/203
D. 339,598	9/1993	Shimizu	D16/203
3,568,583	3/1971	Horberg, Jr.	396/427

FIG. 5 is a right side elevation view of the digital still camera of FIG. 1;

FIG. 6 is a left side elevation view of the digital still camera of FIG. 1;

OTHER PUBLICATIONS

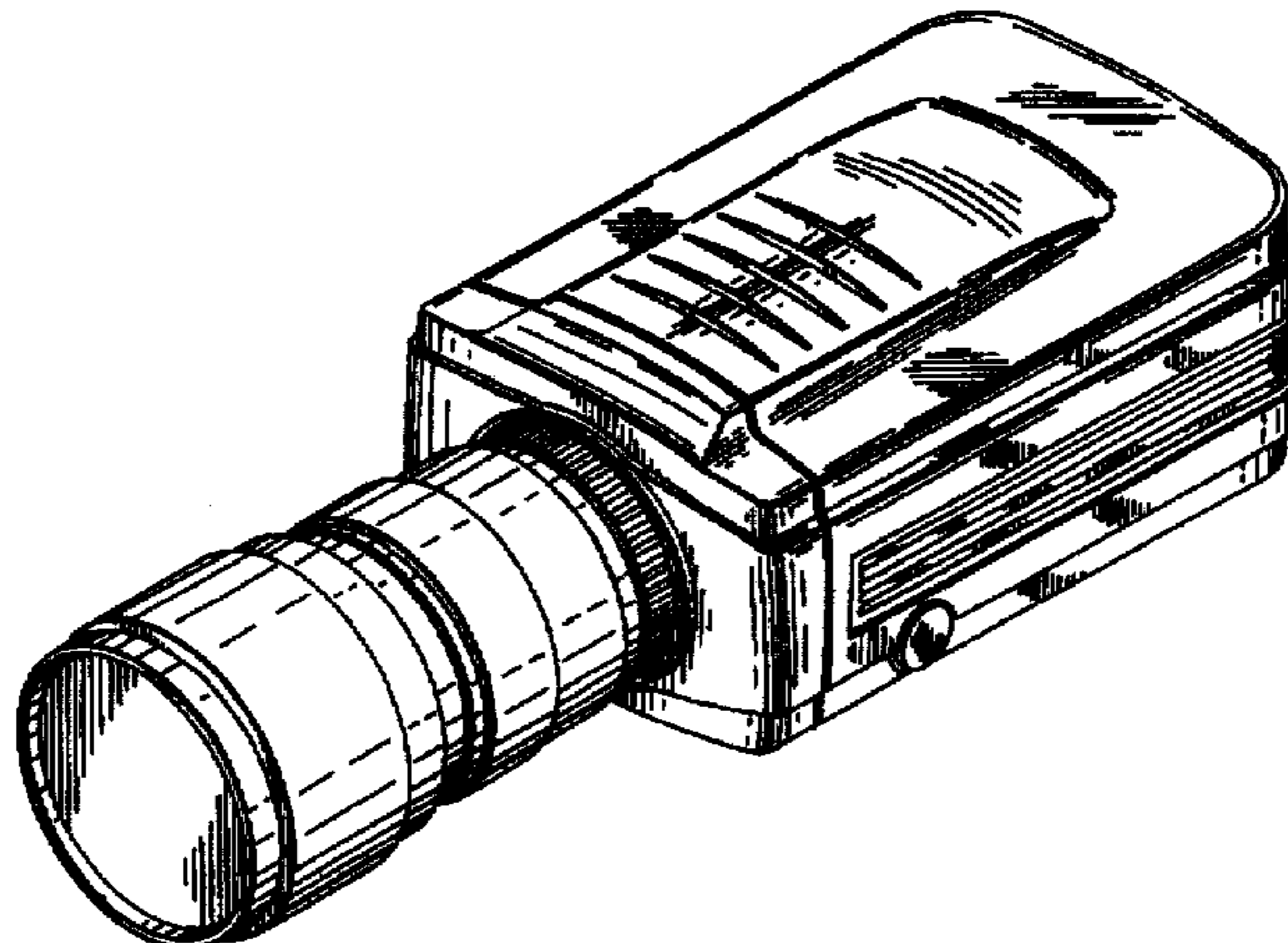
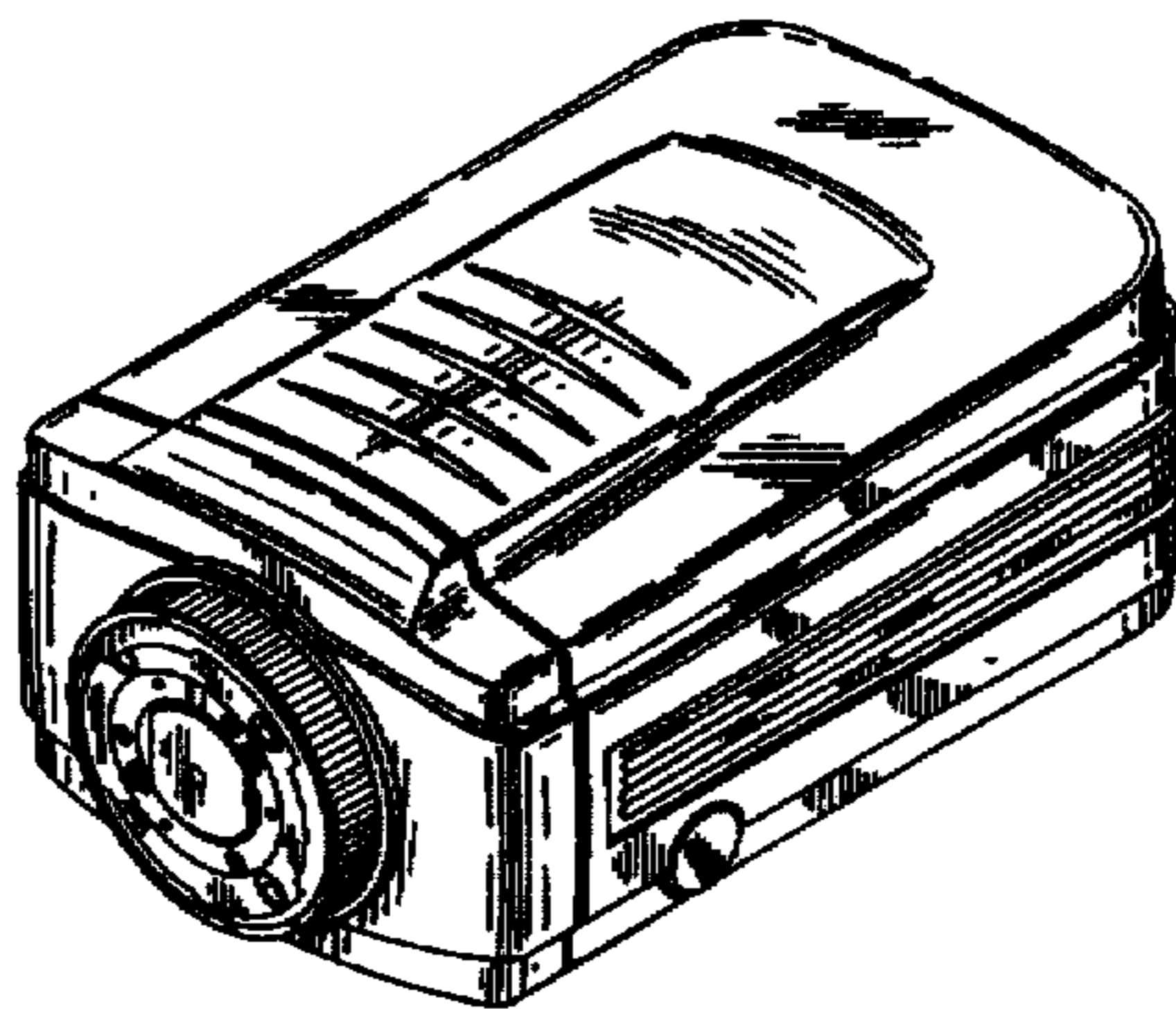
Gaylord Catalog, 1993 p. 10 (MagnaByte Video Projector).

FIG. 7 is a top plan view of the digital still camera of FIG. 1; and,

Primary Examiner—Philip S. Hyder
Assistant Examiner—Adir Aronovich

FIG. 8 is a bottom plan view of the digital still camera of FIG. 1.

1 Claim, 3 Drawing Sheets



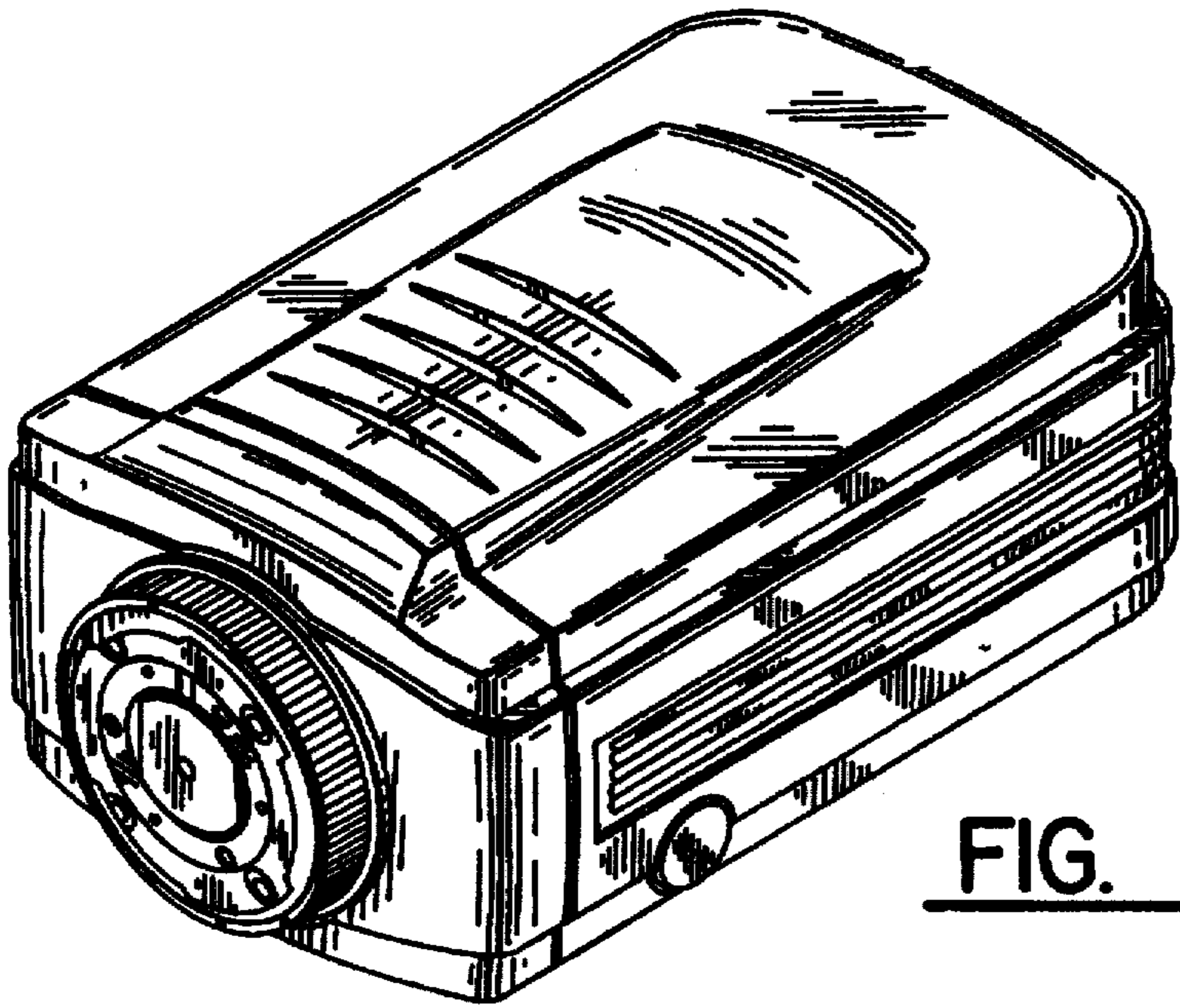


FIG. 1.

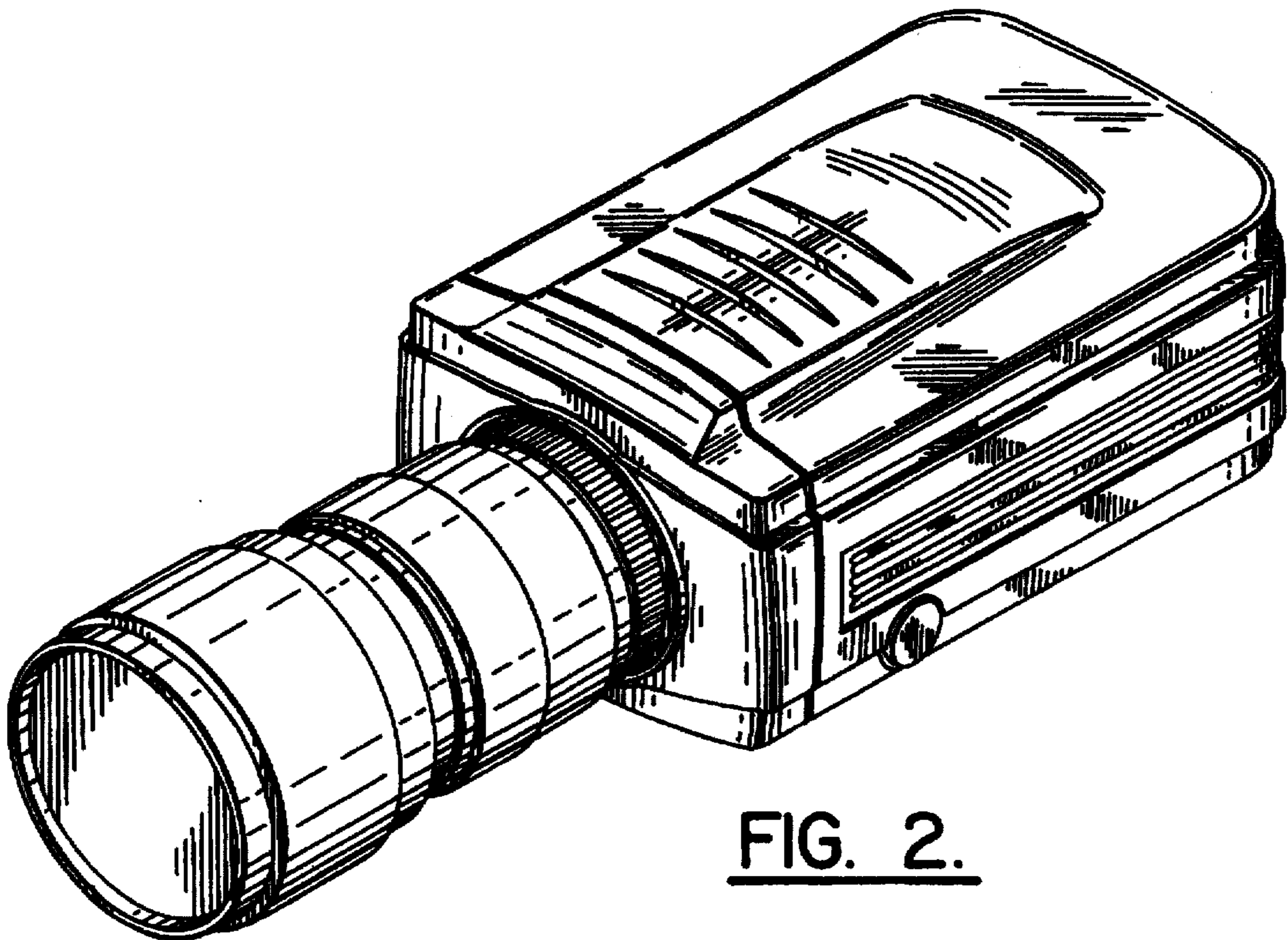


FIG. 2.

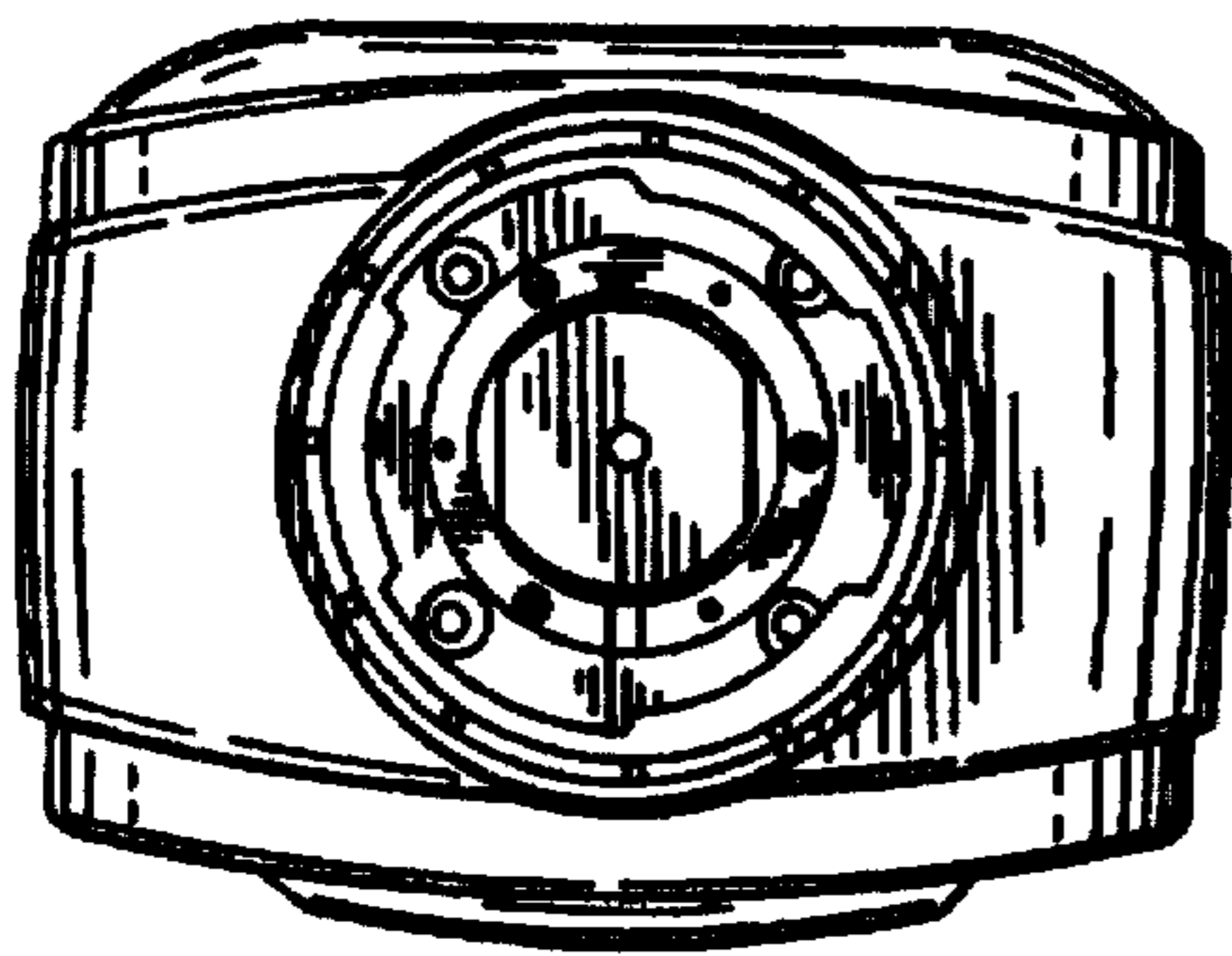


FIG. 3.

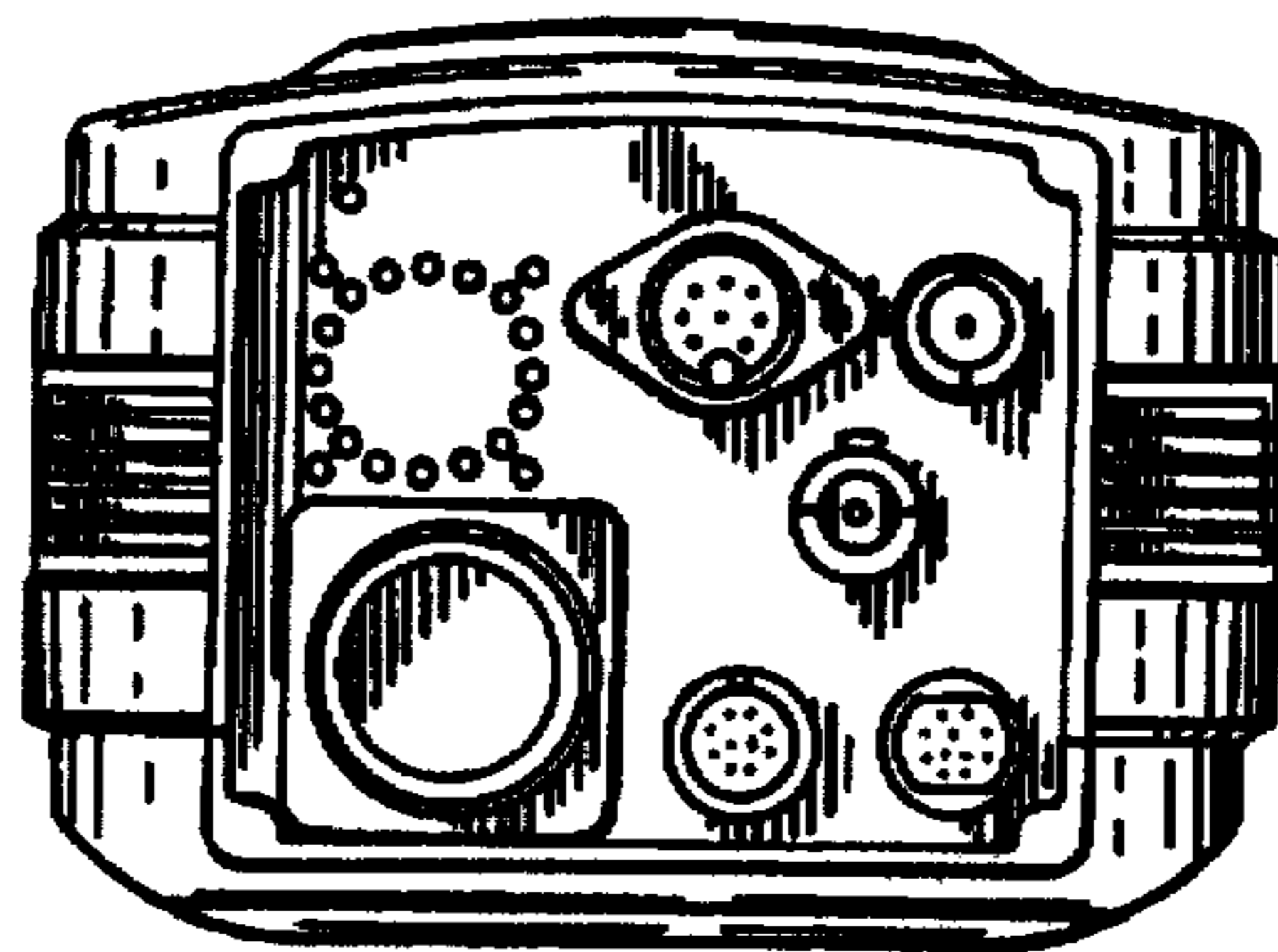


FIG. 4.

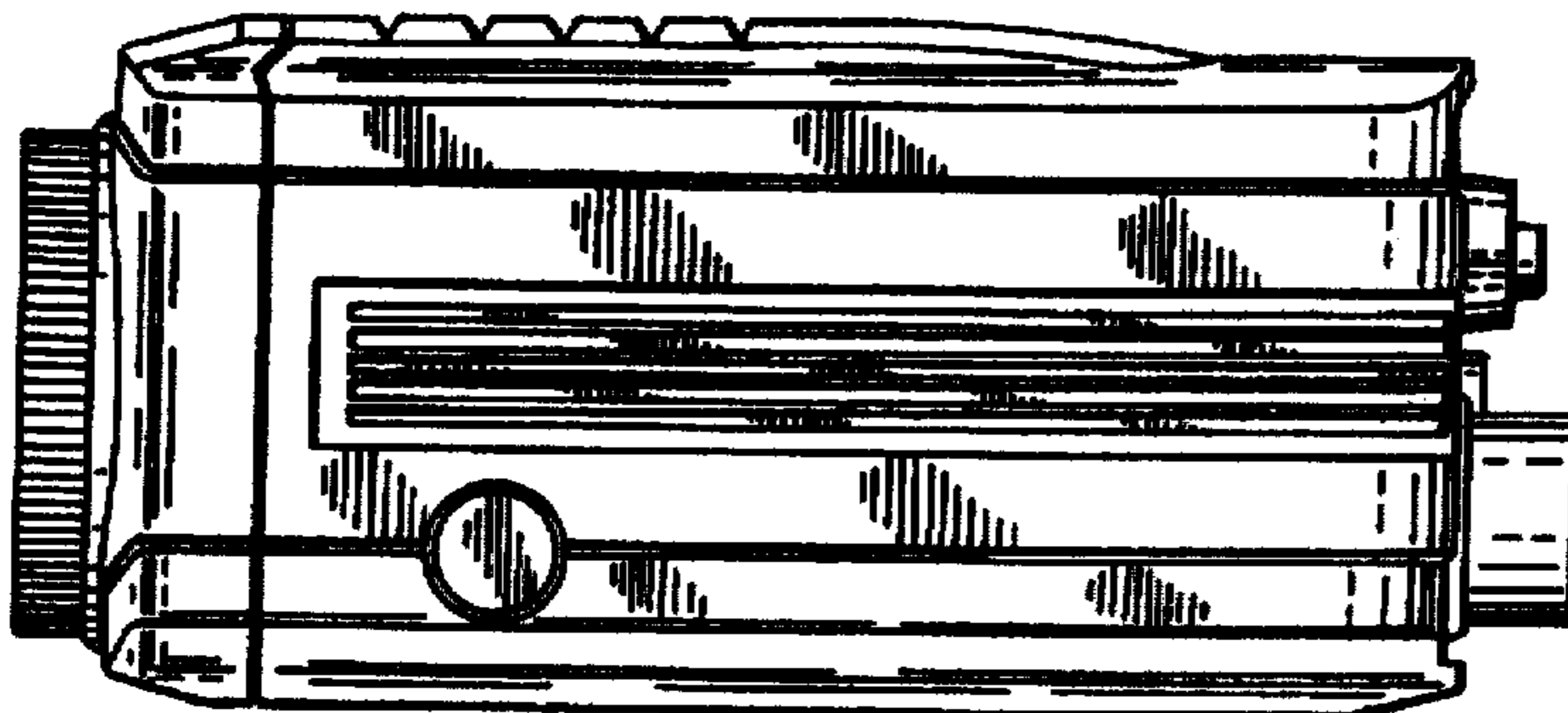
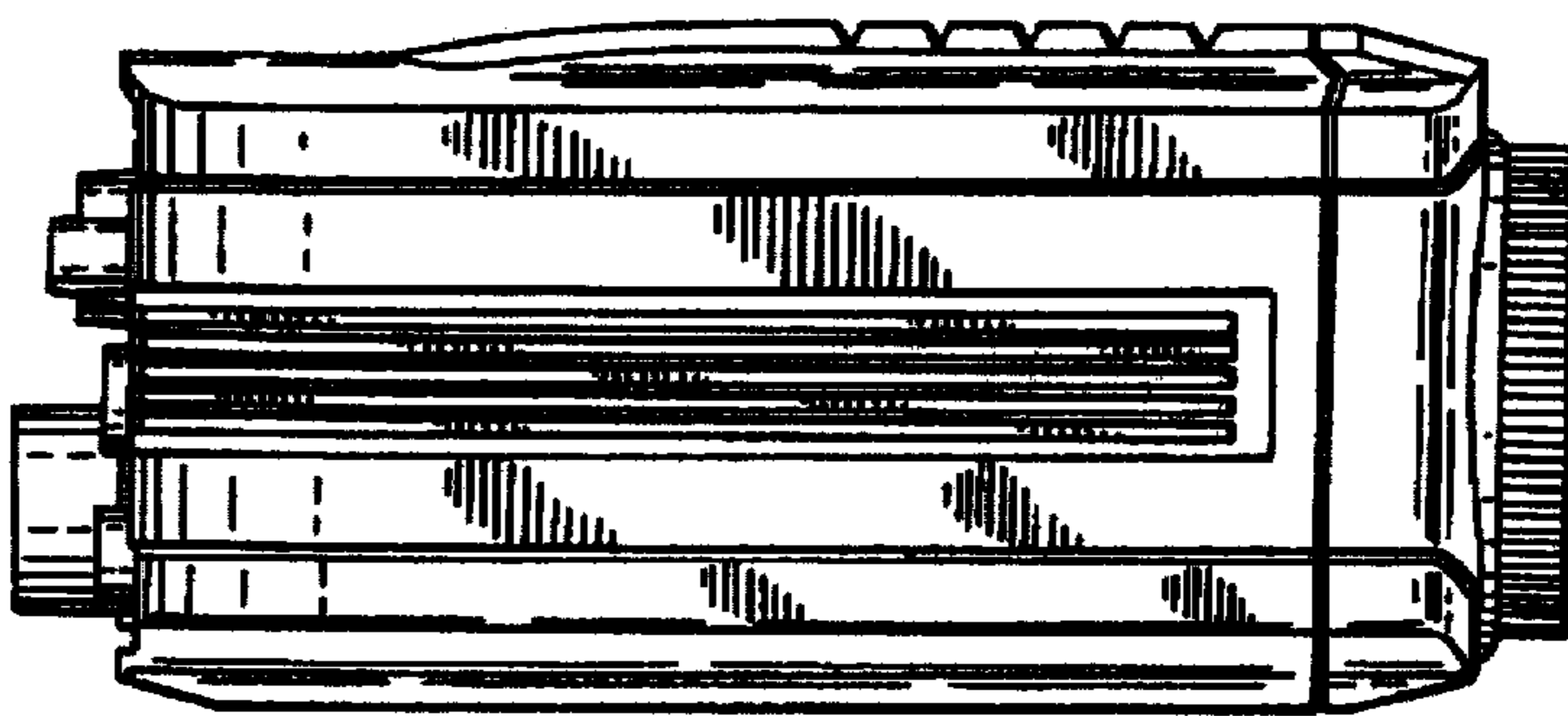


FIG. 5.

FIG. 6.



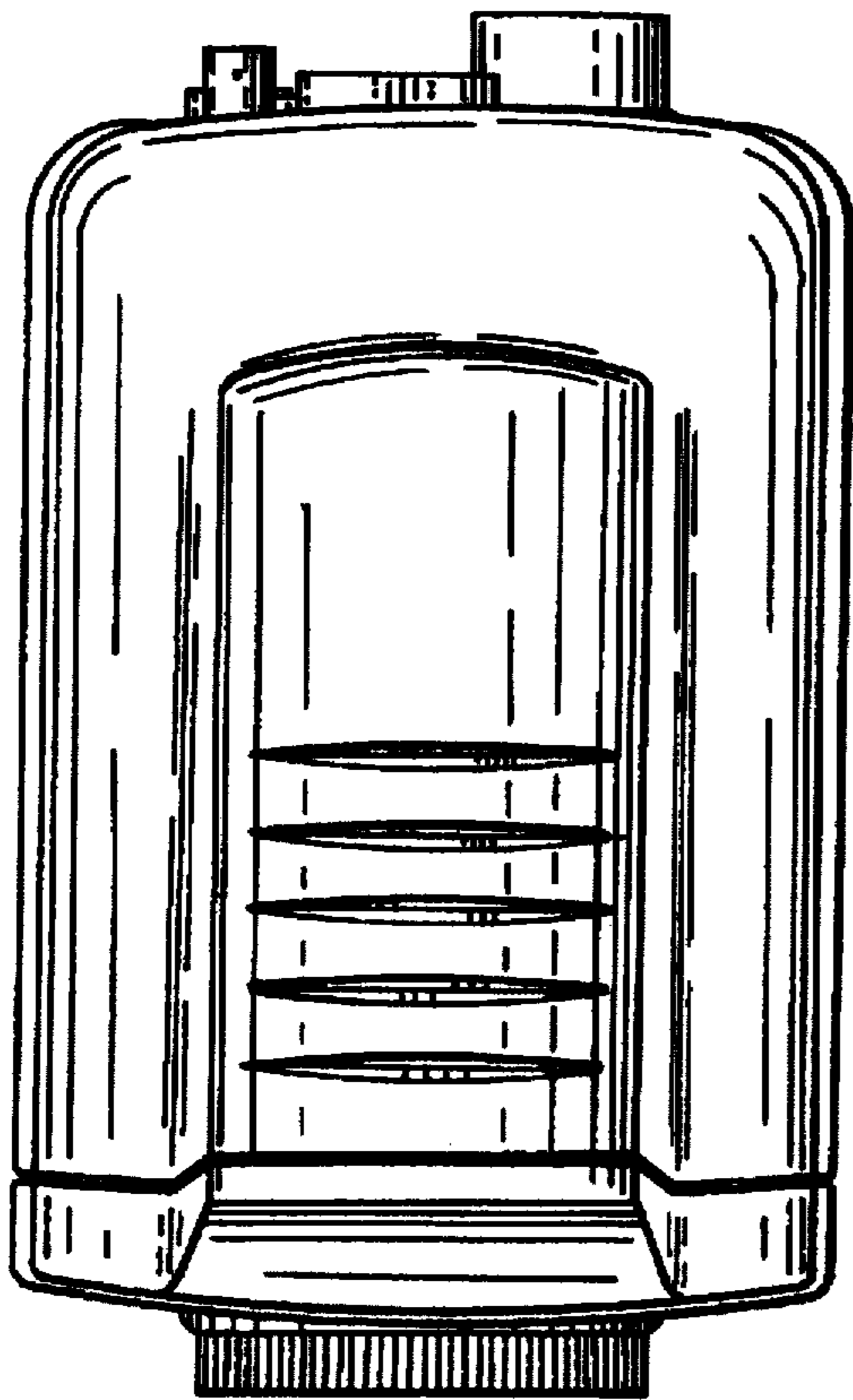


FIG. 7.

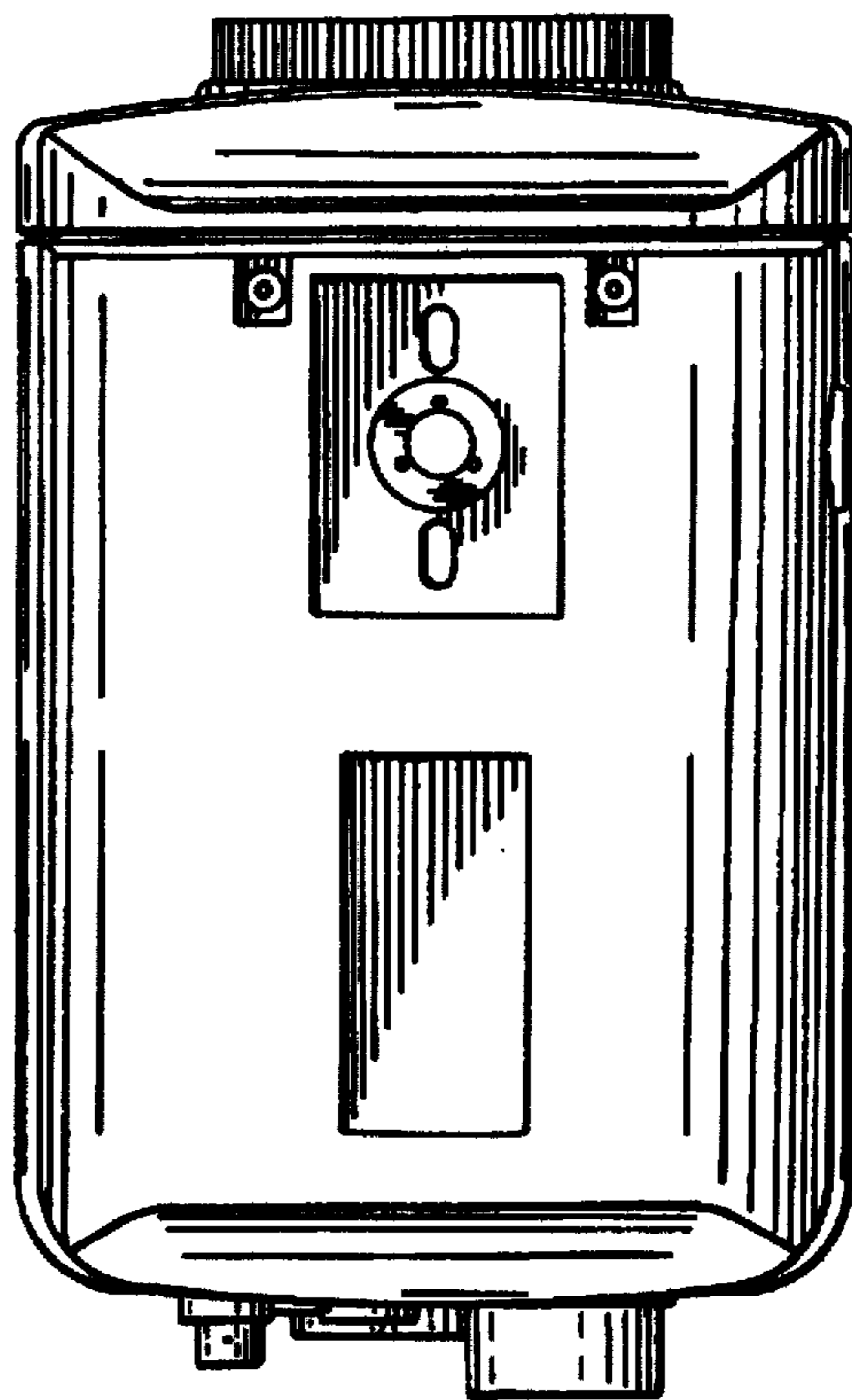


FIG. 8.