



US00D386195S

United States Patent [19]

Oates

[11] Patent Number: **Des. 386,195**

[45] Date of Patent: ****Nov. 11, 1997**

[54] VIDEO CAMERA

[75] Inventor: **Markus Oates, Glasgow, United Kingdom**

[73] Assignee: **International Business Machines Corporation, Armonk, N.Y.**

[**] Term: **14 Years**

[21] Appl. No.: **55,882**

[22] Filed: **Jun. 14, 1996**

[30] Foreign Application Priority Data

Dec. 15, 1995 [GB] United Kingdom 2052738

[51] LOC (6) CL. **16-01**

[52] U.S. Cl. **D16/202**

[58] Field of Search D16/200-205, D16/208; D14/107, 114, 130; 348/12, 14, 15-20, 143, 373-376; 352/242, 243; 379/53, 54; 396/535-543; H04N 2/225

[56] References Cited

U.S. PATENT DOCUMENTS

- D. 214,703 7/1969 Kiven D16/203
- D. 339,149 9/1993 Nakamura et al. D16/202
- D. 355,205 2/1995 Yokoi D16/202

- D. 360,646 7/1995 Nomura D16/202
- D. 363,299 10/1995 Nomura D16/202
- 5,374,952 12/1994 Flohr 348/12

FOREIGN PATENT DOCUMENTS

- 8-102882 4/1996 Japan H04N 5/225

OTHER PUBLICATIONS

Computer Telephony Expo Catalog, Mar. 10, 1995 (PCS 50).

Primary Examiner—Philip S. Hyder
Assistant Examiner—Adir Aronovich
Attorney, Agent, or Firm—Anthony N. Magistrale

[57] CLAIM

The ornamental design for a video camera, as shown and described.

DESCRIPTION

FIG. 1 is a left, front, and top perspective view of a video camera, showing our new design;
FIG. 2 is a front elevational view thereof;
FIG. 3 is a rear elevational view thereof;
FIG. 4 is a top plan view thereof;
FIG. 5 is a bottom plan view thereof;
FIG. 6 is a right side elevational view thereof; and,
FIG. 7 is a left side elevational view thereof.

1 Claim, 4 Drawing Sheets

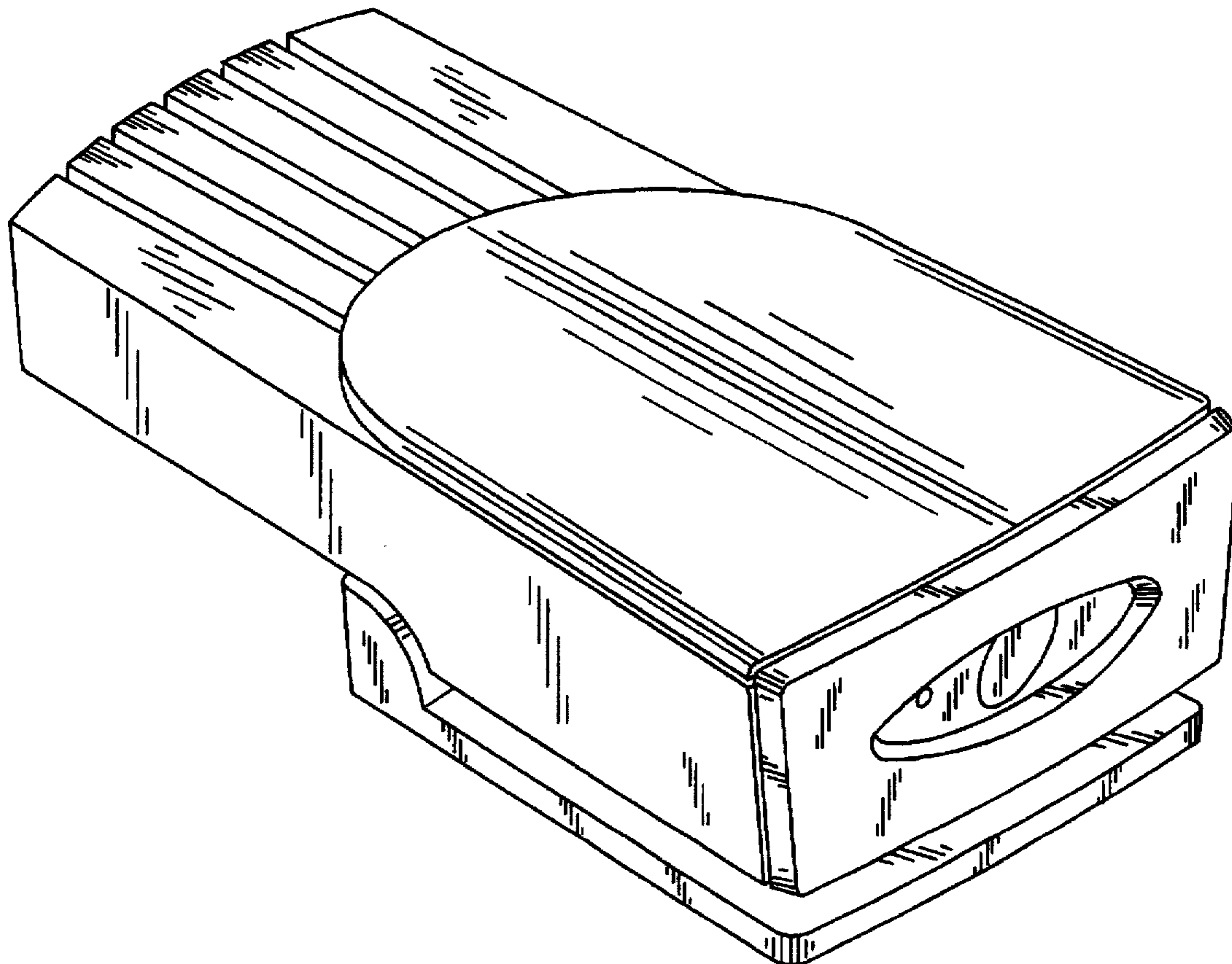


FIG. 1

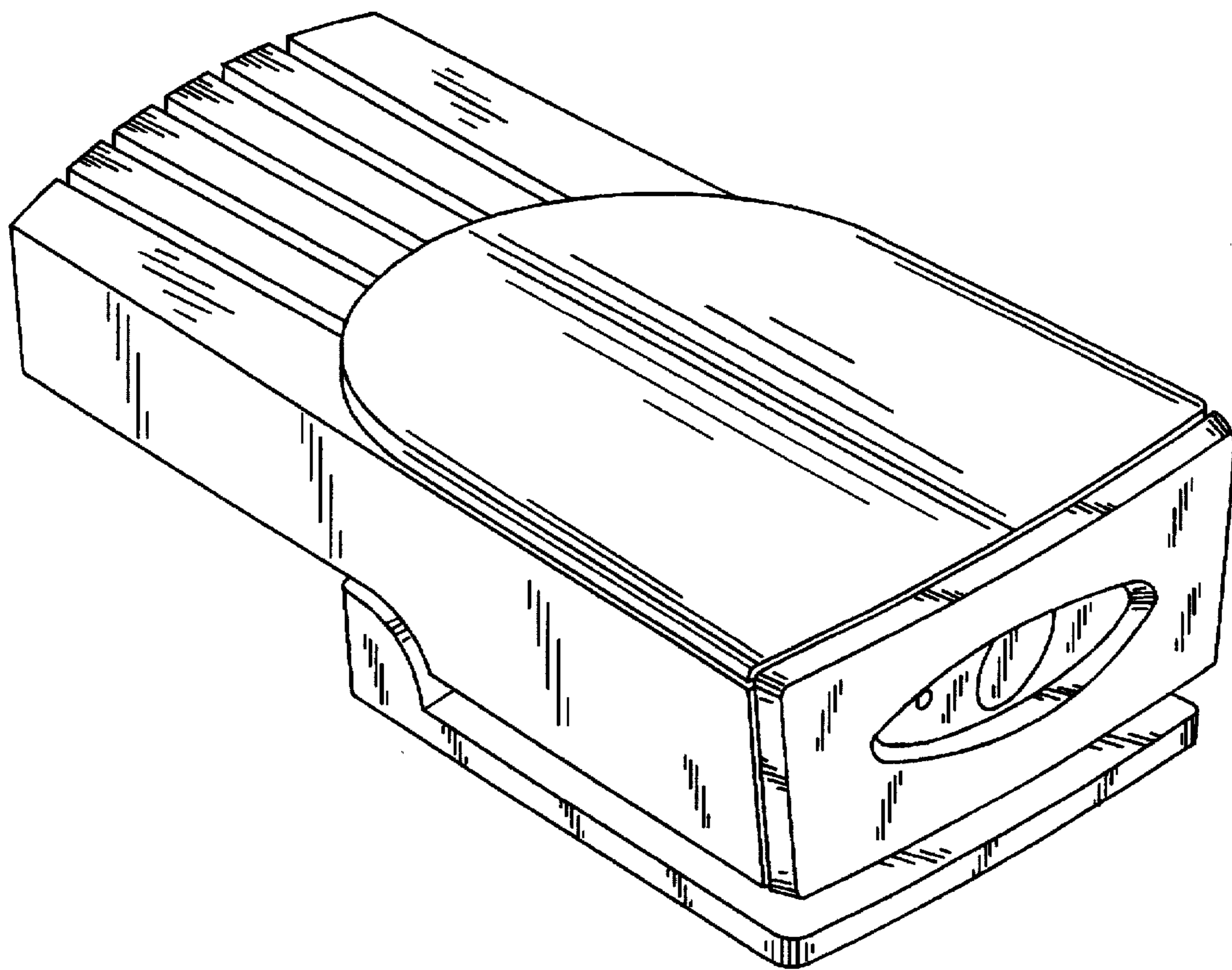


FIG. 2

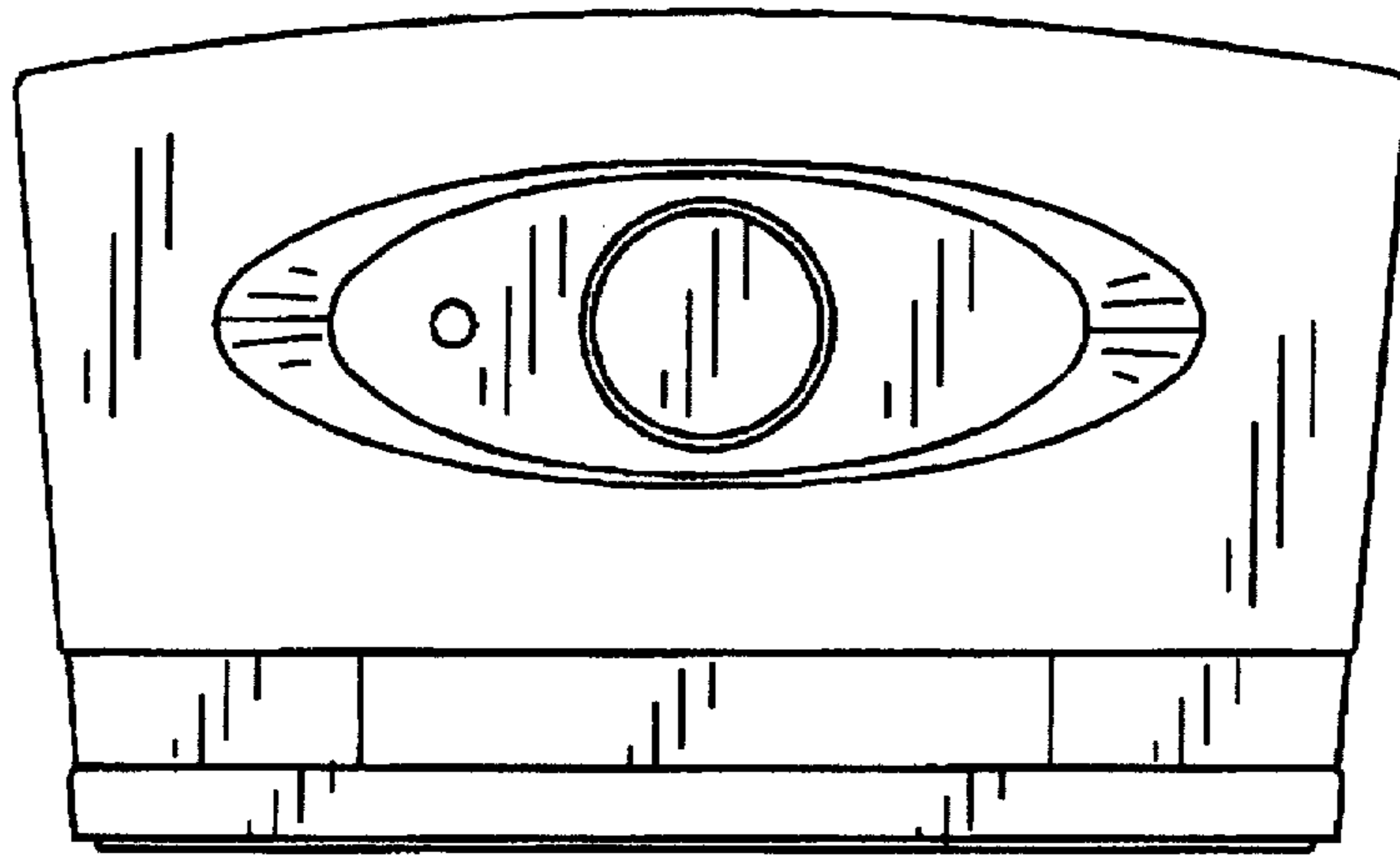


FIG. 3

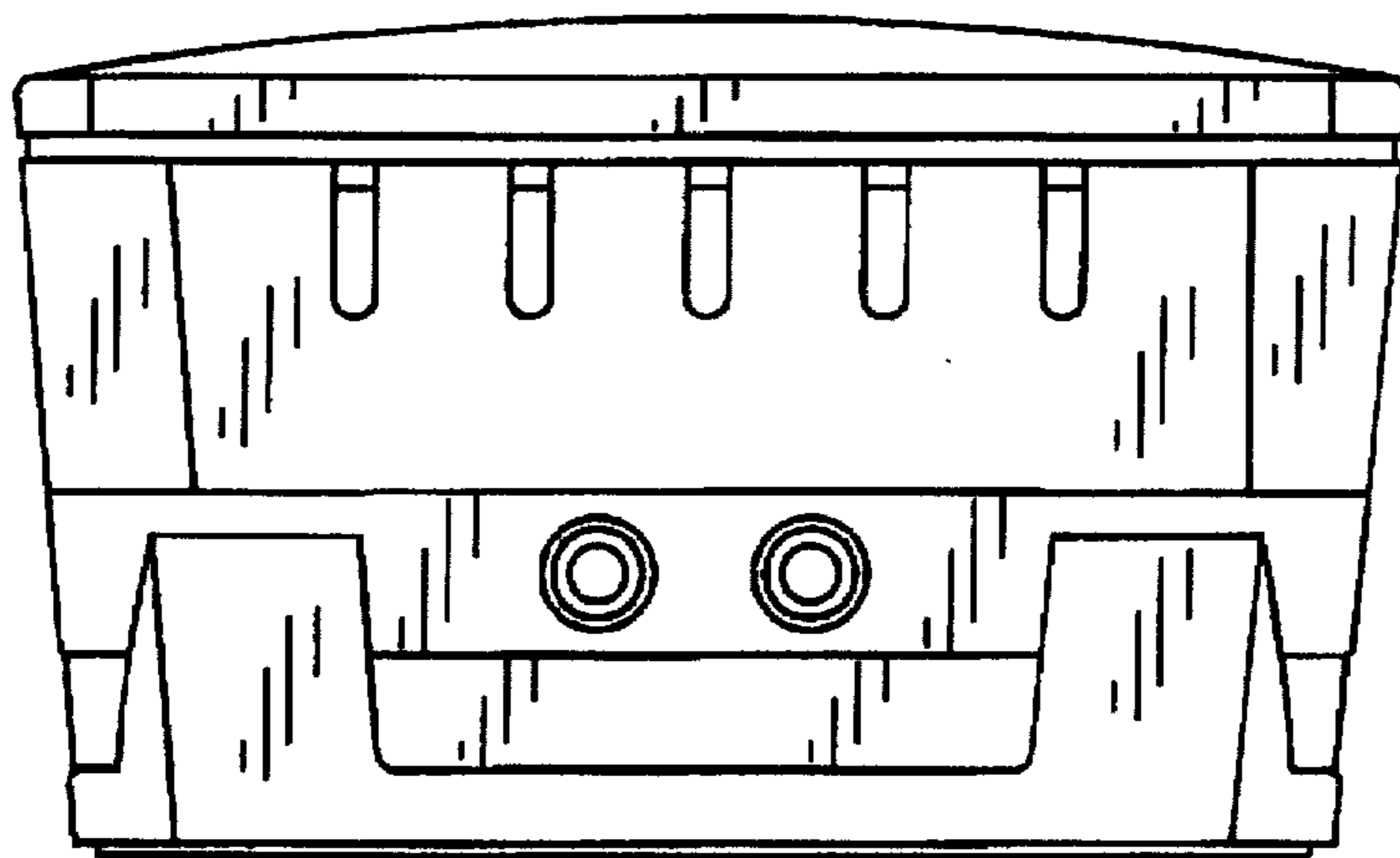


FIG. 4

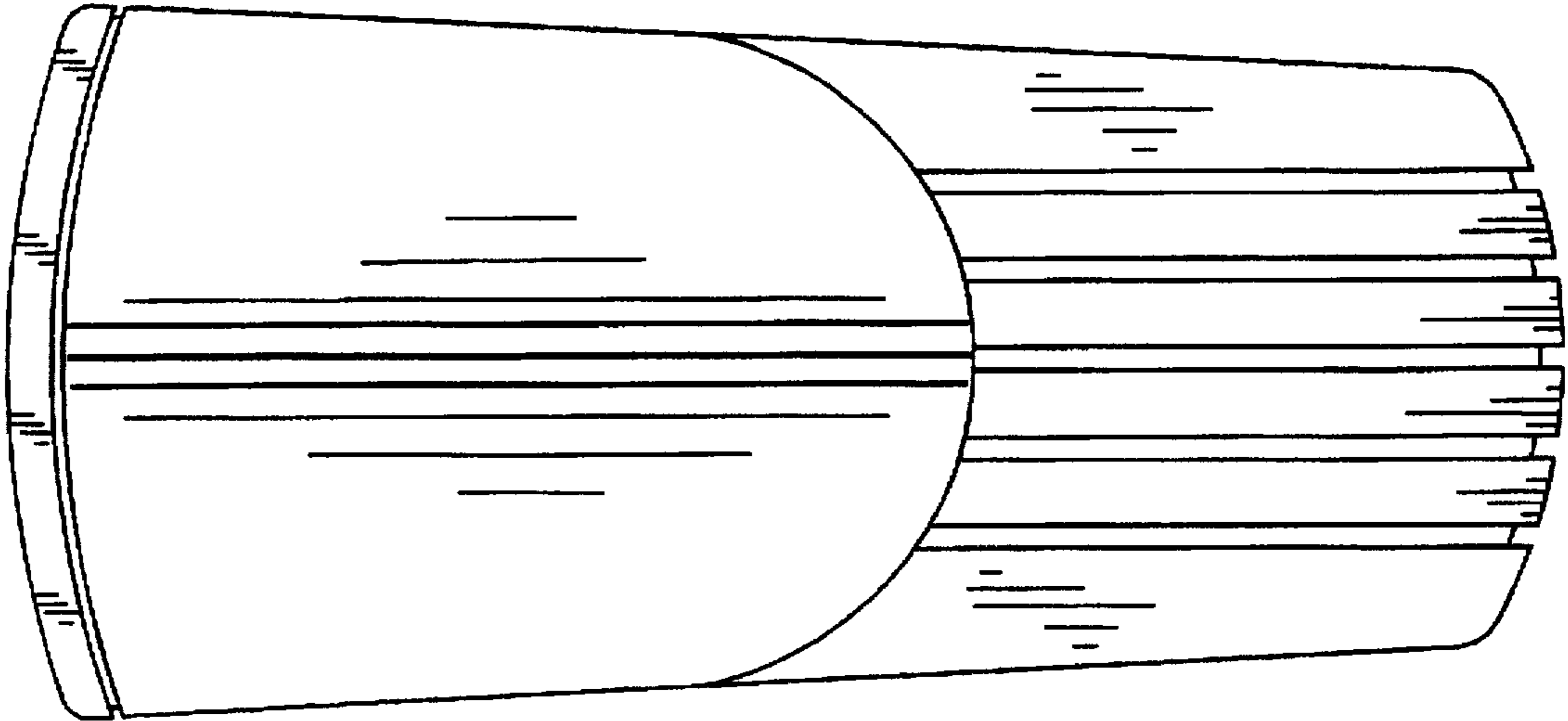


FIG. 5

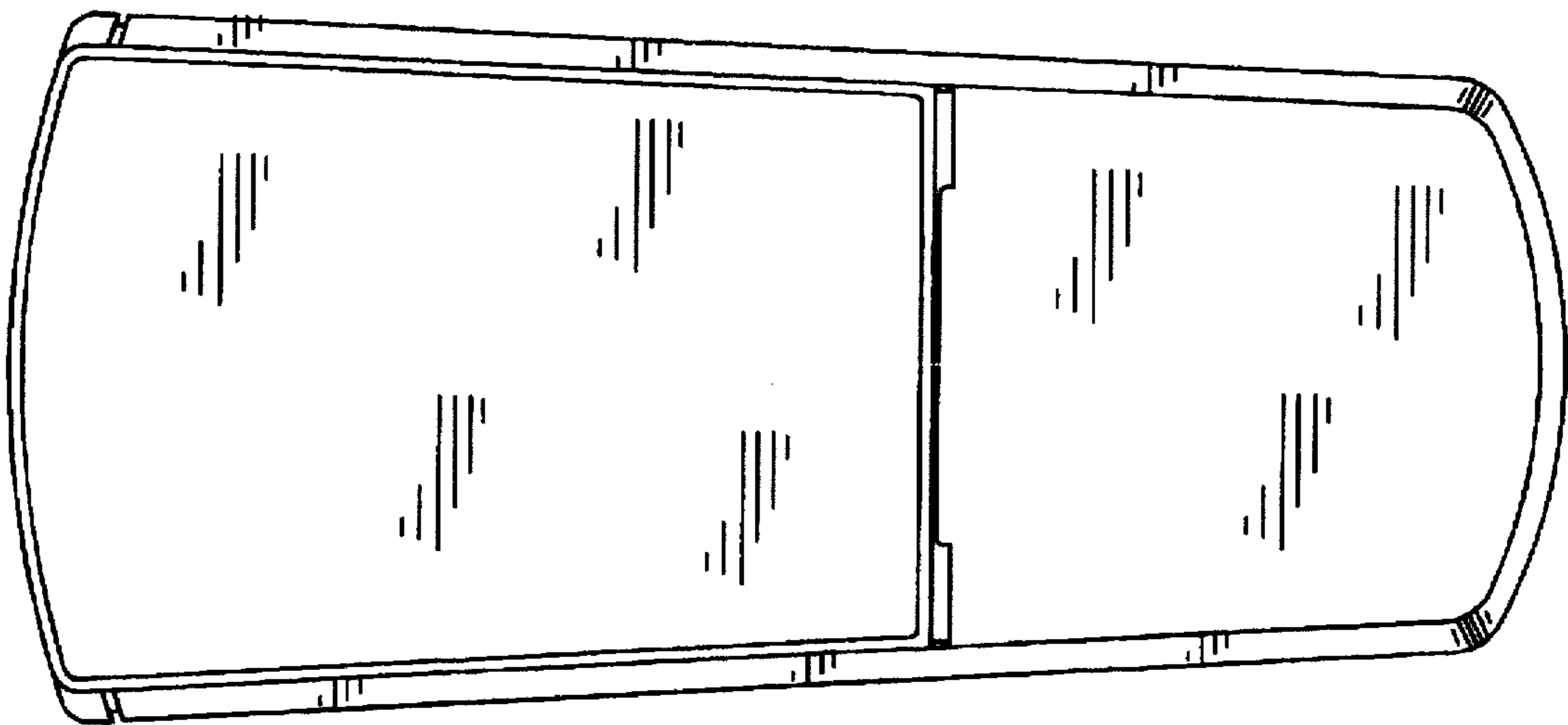


FIG. 6

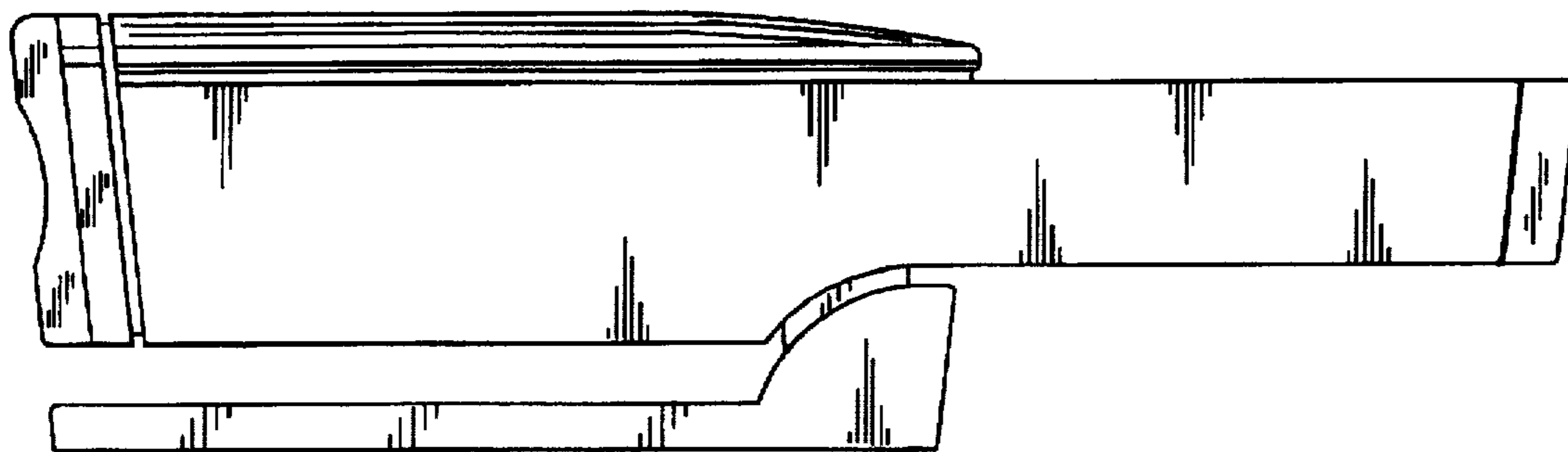


FIG. 7

