



US00D386194S

United States Patent [19]

[11] Patent Number: Des. 386,194

Davis

[45] Date of Patent: **Nov. 11, 1997

[54] **CARRIER PLATE FOR RIBBED STYLE CUPS**

[75] Inventor: Steven D. Davis, Yucaipa, Calif.

[73] Assignee: Wimpak Lane, Inc., San Bernardino, Calif.

[**] Term: 14 Years

[21] Appl. No.: 53,841

[22] Filed: Mar. 29, 1996

[51] LOC (6) Cl. 15-99

[52] U.S. Cl. D15/145

[58] Field of Search D15/145; 53/158, 53/169, 531, 535, 536, 539, 542, 555, 554, 451, 546, 473; 426/77, 394

[56] References Cited

U.S. PATENT DOCUMENTS

4,403,462 9/1983 Halbich 53/158 X

Primary Examiner—Antoine Duval Davis
Attorney, Agent, or Firm—James G. O'Neill

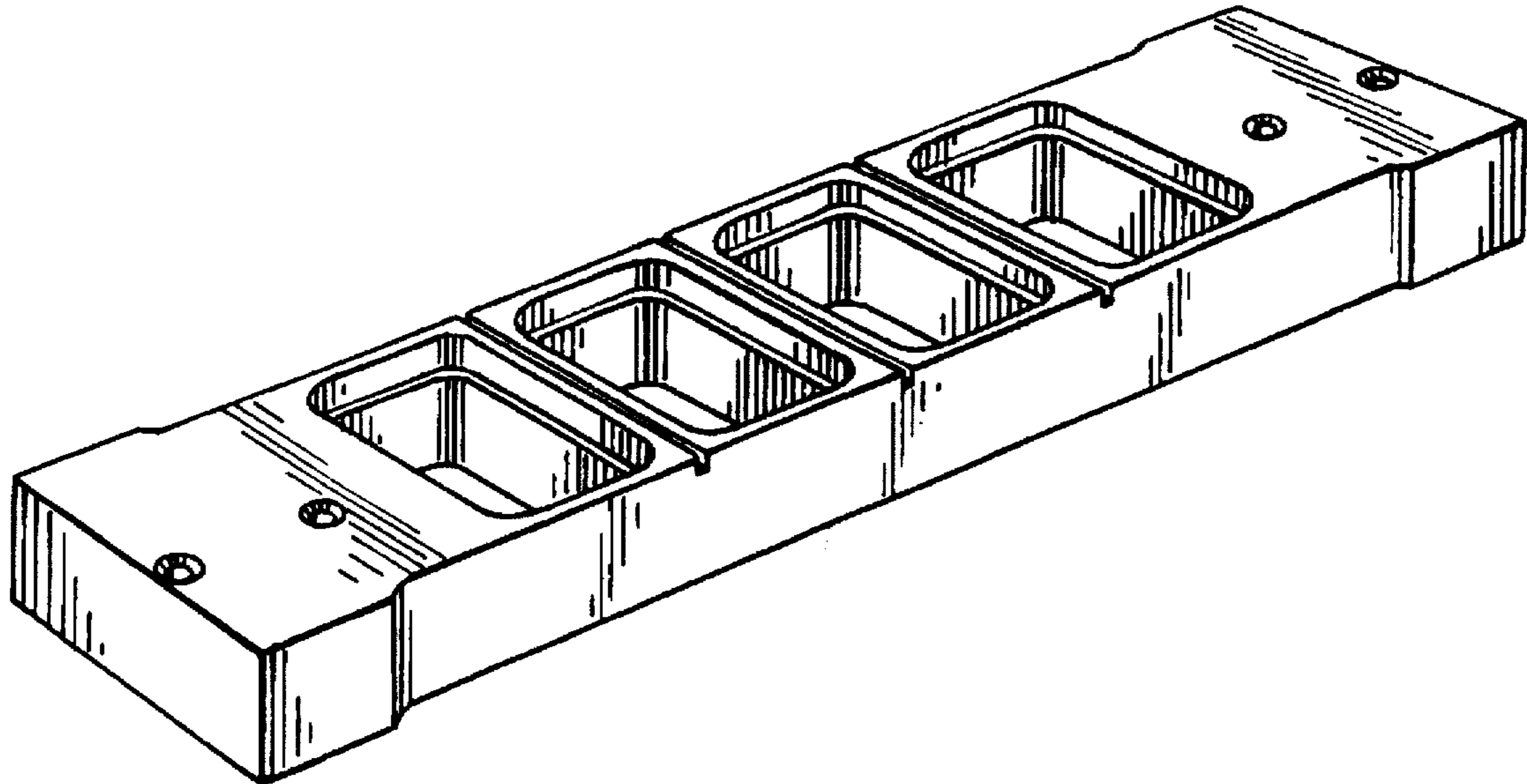
[57] CLAIM

The ornamental design for a carrier plate for ribbed style cups, as shown and described.

DESCRIPTION

FIG. 1 is a top perspective view of one version of a carrier plate for ribbed style cups of my new design; FIG. 2 is a left end view of FIG. 1, the other or right end being a mirror image thereof; FIG. 3 is a top plan view of FIG. 1; FIG. 4 is a front elevational view of FIG. 1; FIG. 5 is a bottom plan view of FIG. 1; FIG. 6 is a rear elevational view of FIG. 1; FIG. 7 is a top perspective view of a second version of a carrier plate for ribbed style cups of my new design; FIG. 8 is a left end view of FIG. 7, the other or right end being a mirror image thereof; FIG. 9 is a top plan view of FIG. 7; FIG. 10 is a front elevational view of FIG. 7; FIG. 11 is a bottom plan view of FIG. 7; and, FIG. 12 is a rear elevational view of FIG. 7.

1 Claim, 2 Drawing Sheets



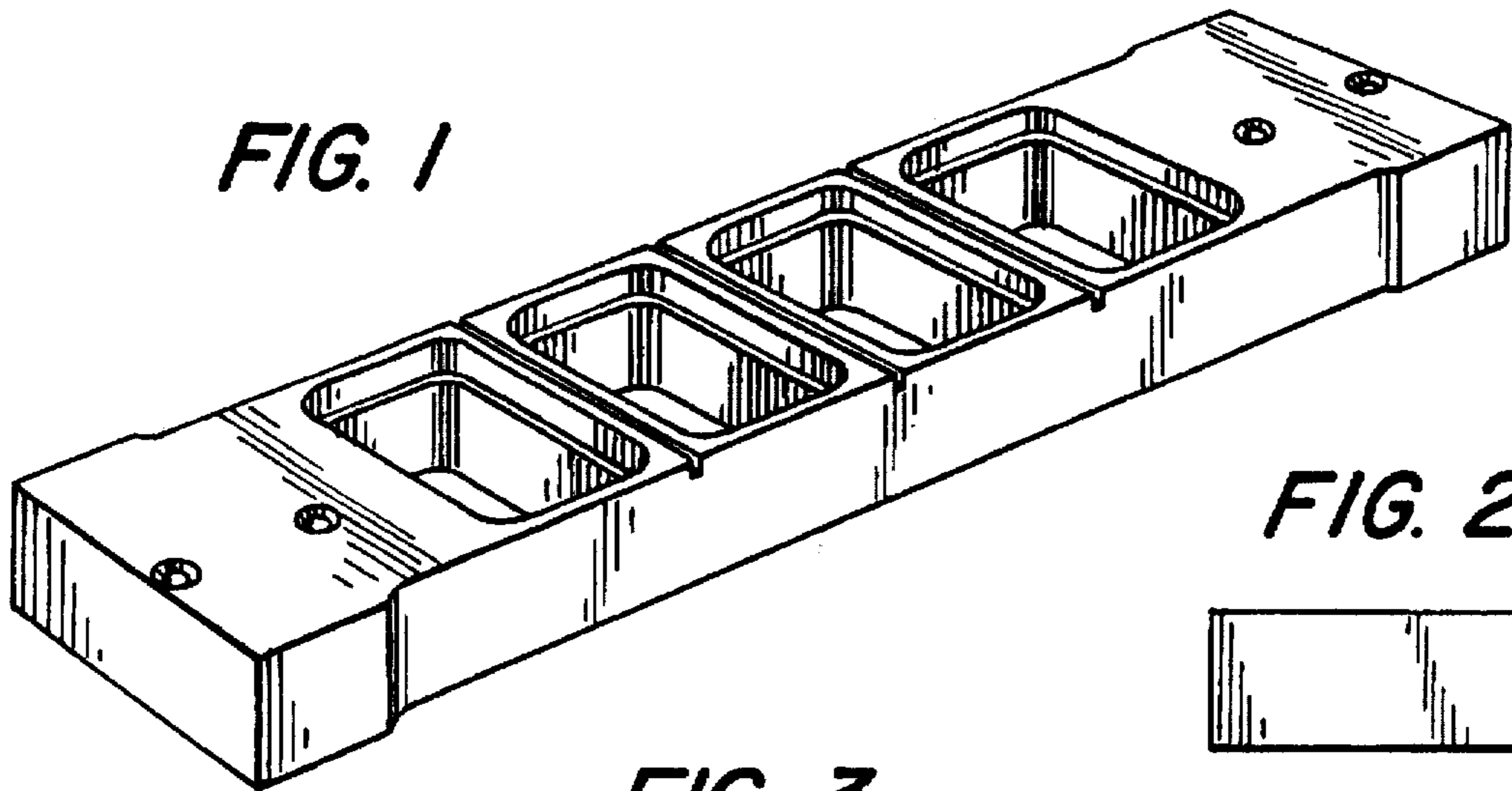


FIG. 2

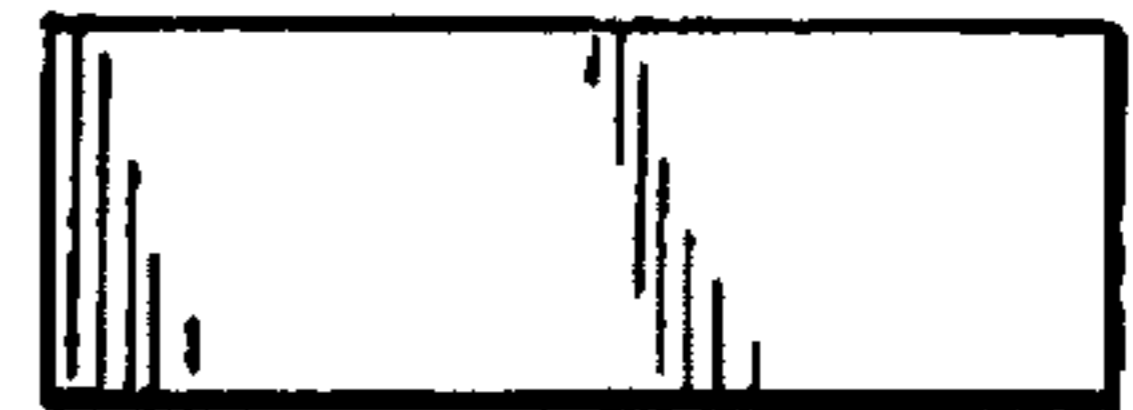


FIG. 3

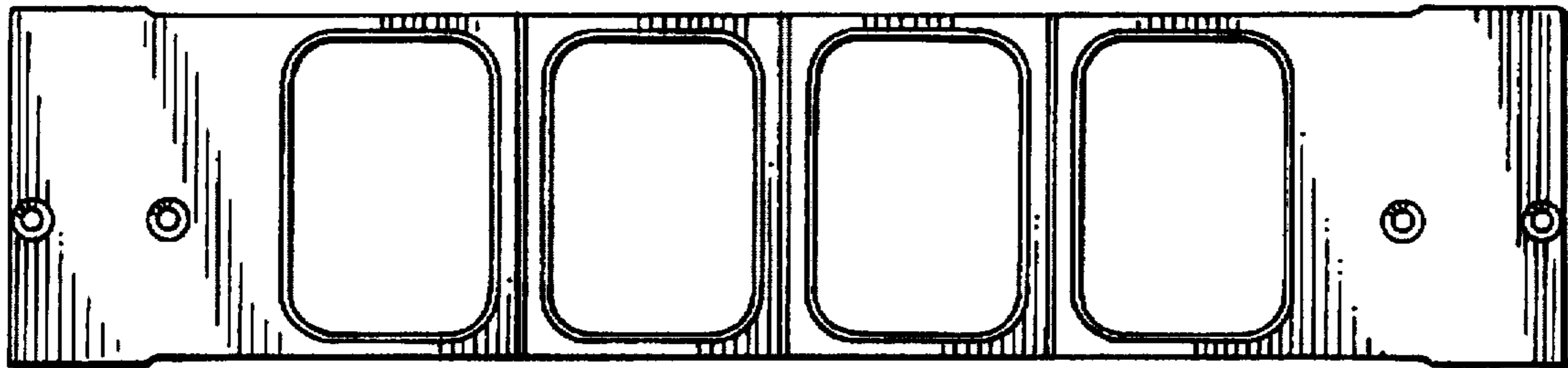


FIG. 4



FIG. 5

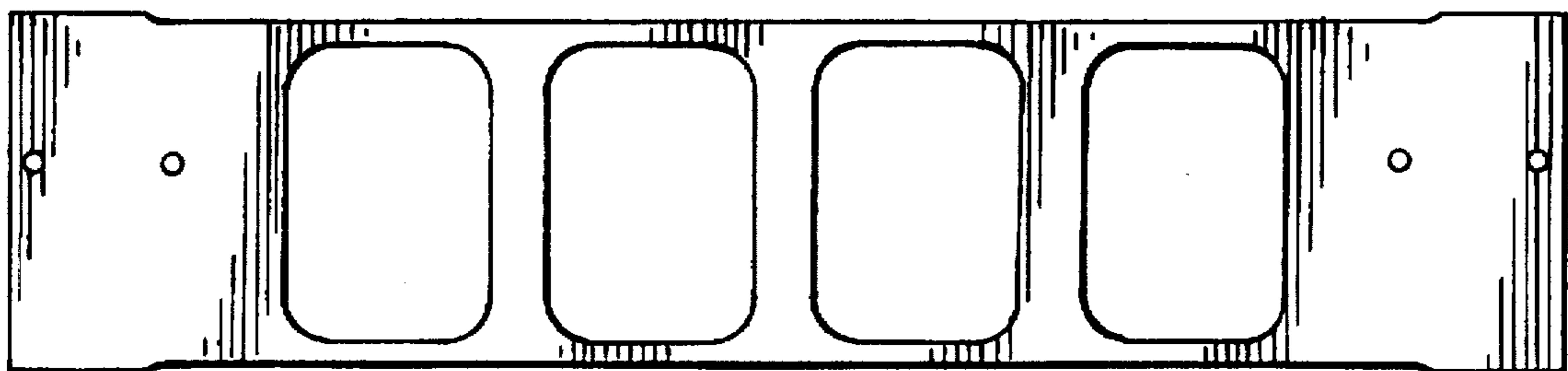


FIG. 6



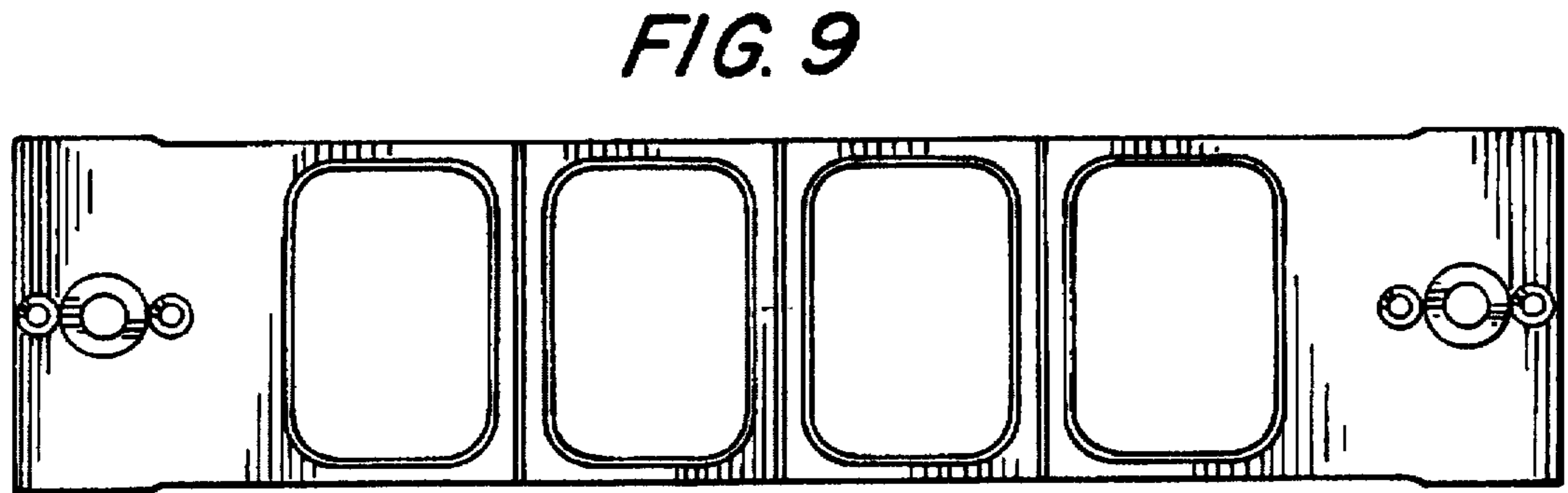
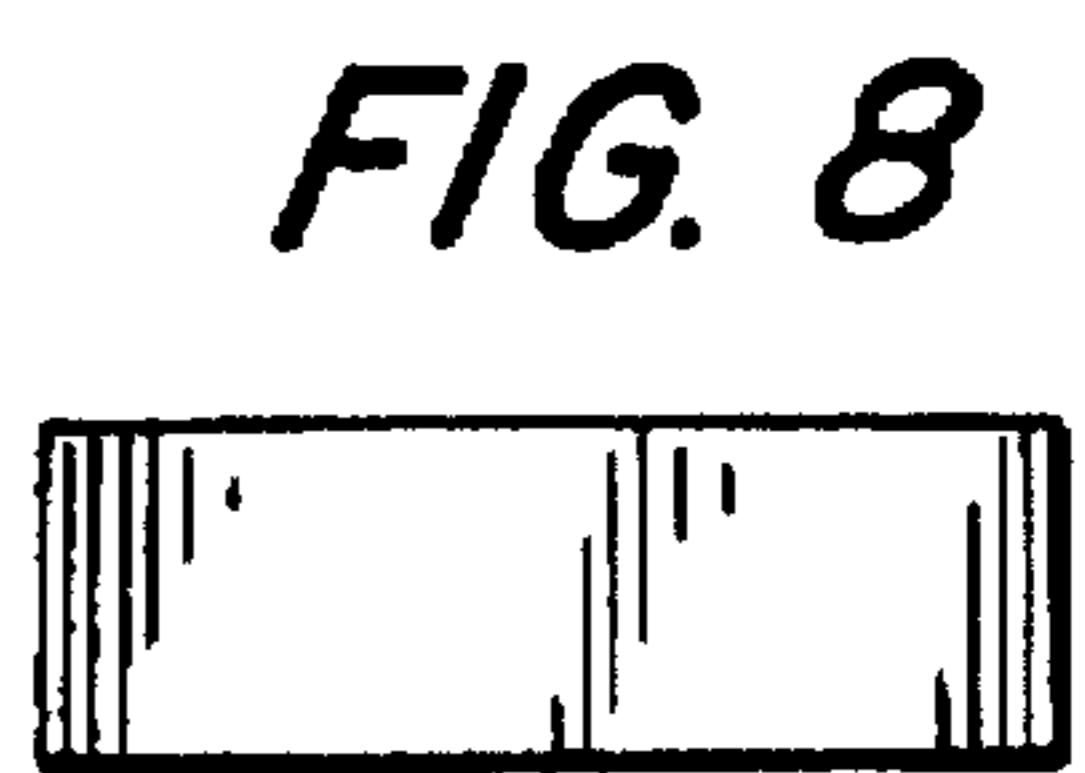
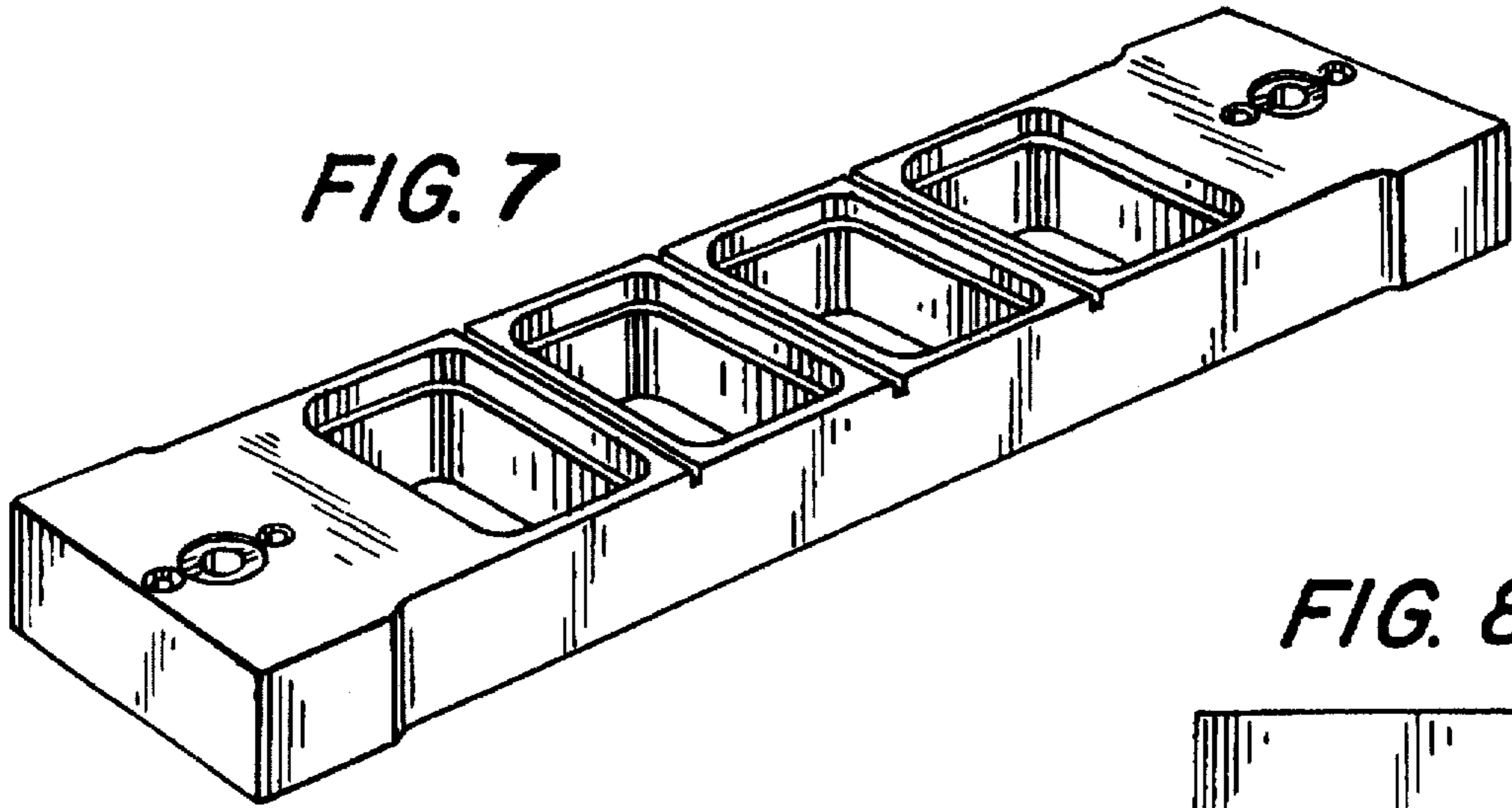


FIG. 9

FIG. 10



FIG. 11

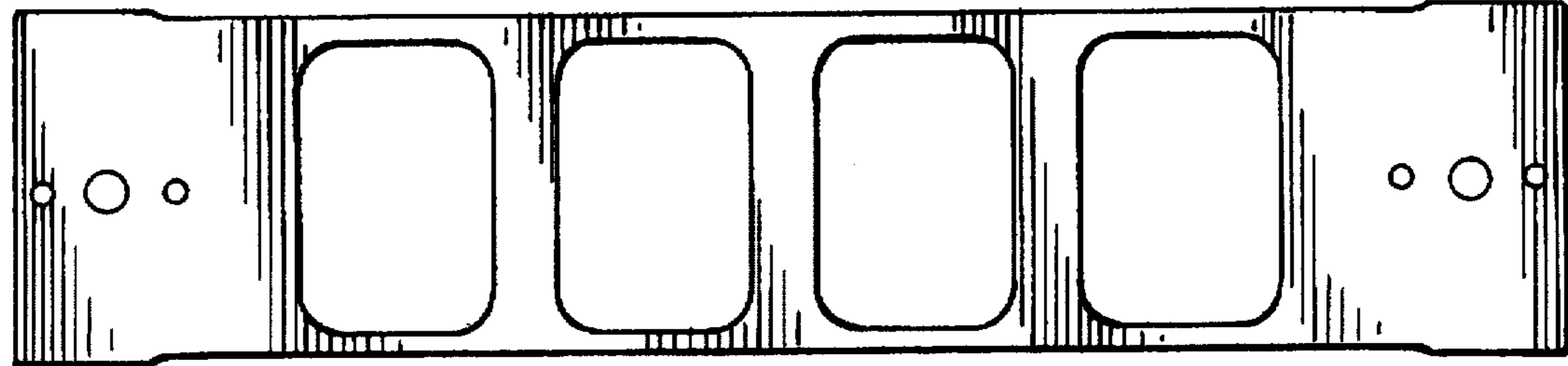


FIG. 12

