



US00D386192S

United States Patent [19]
Chen

[11] **Patent Number: Des. 386,192**

[45] **Date of Patent: **Nov. 11, 1997**

[54] **DRILL PRESS**

[75] **Inventor: Rey Zon Chen, Taichung, Taiwan**

[73] **Assignee: Rexon Industrial Corp., Ltd.,
Taichung, Taiwan**

[**] **Term: 14 Years**

[21] **Appl. No.: 54,927**

[22] **Filed: May 24, 1996**

[51] **LOC (6) Cl. 15-09**

[52] **U.S. Cl. D15/132**

[58] **Field of Search D15/132; 29/26 A,
29/33 R, 33 K, 35, 300, 560; 408/87, 124,
129, 130, 234, 235, 236, 237; 409/185,
231**

[56] **References Cited**

U.S. PATENT DOCUMENTS

D. 331,246 11/1992 Chen D15/132
4,955,765 9/1990 Laird 408/87

Primary Examiner—Antoine Duval Davis
Attorney, Agent, or Firm—McCormick, Paulding & Huber

[57] **CLAIM**

The ornamental design for a drill press, as shown and described.

DESCRIPTION

FIG. 1 is a perspective view of a drill press embodying the design of the present invention;

FIG. 2 is a rear elevational view of the drill press of FIG. 1;

FIG. 3 is a top plan view of the drill press of FIG. 1;

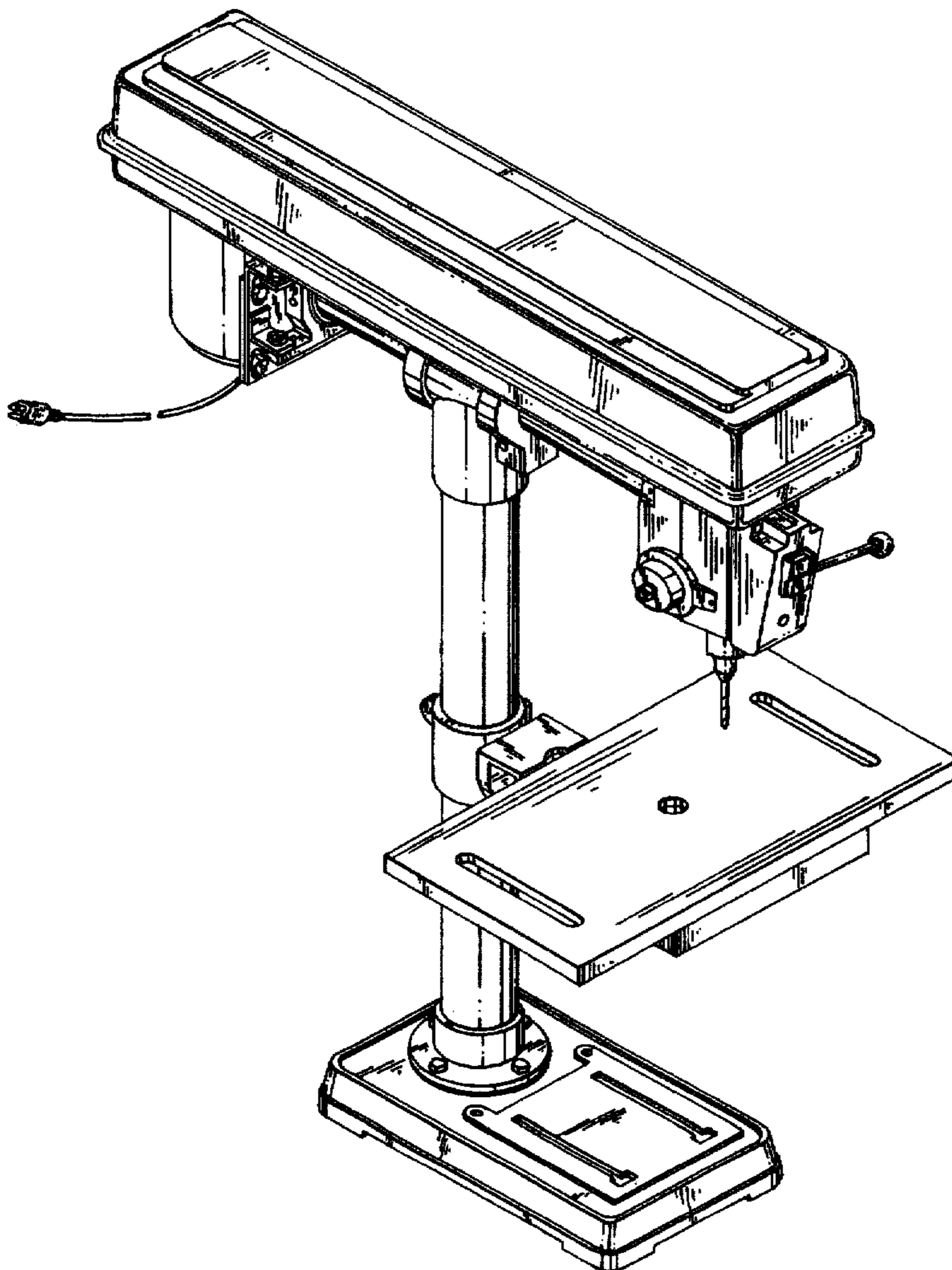
FIG. 4 is a bottom plan view of the drill press of FIG. 1;

FIG. 5 is a front elevational view of the drill press of FIG. 1;

FIG. 6 is a side elevational view of the drill press viewed from the right side of FIG. 1; and,

FIG. 7 is a side elevational view of the drill press viewed from the left side of FIG. 1.

1 Claim, 6 Drawing Sheets



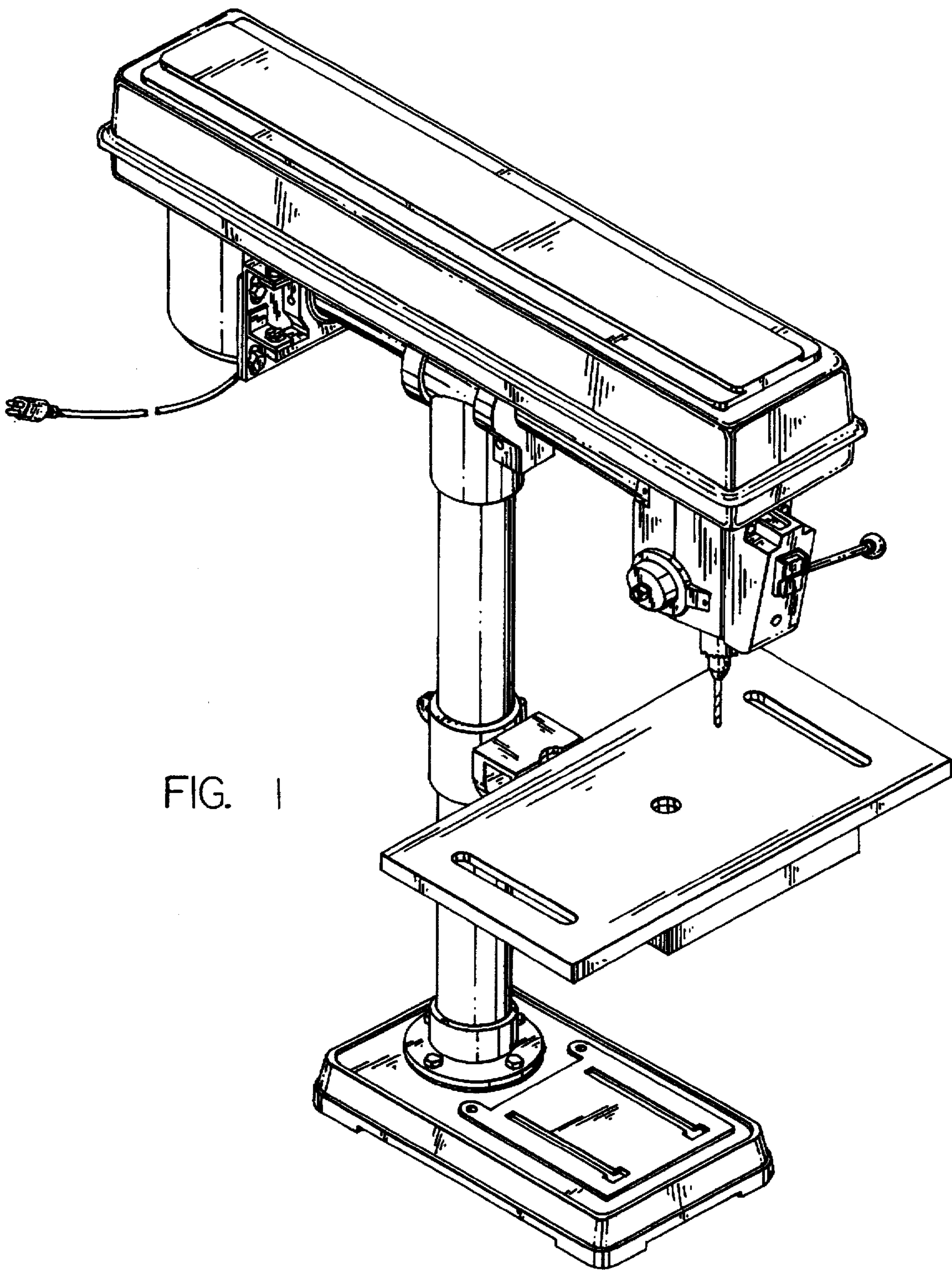
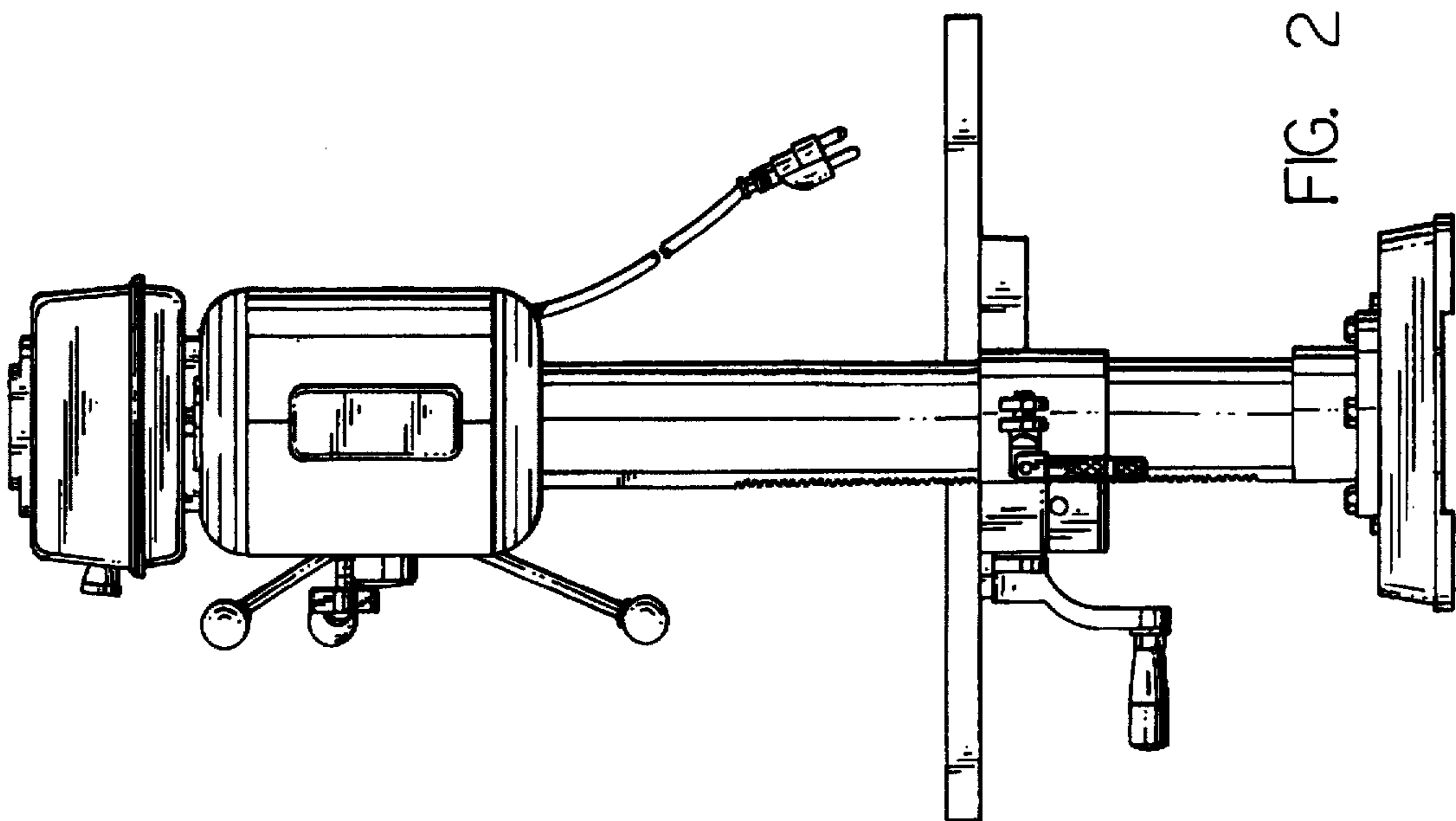
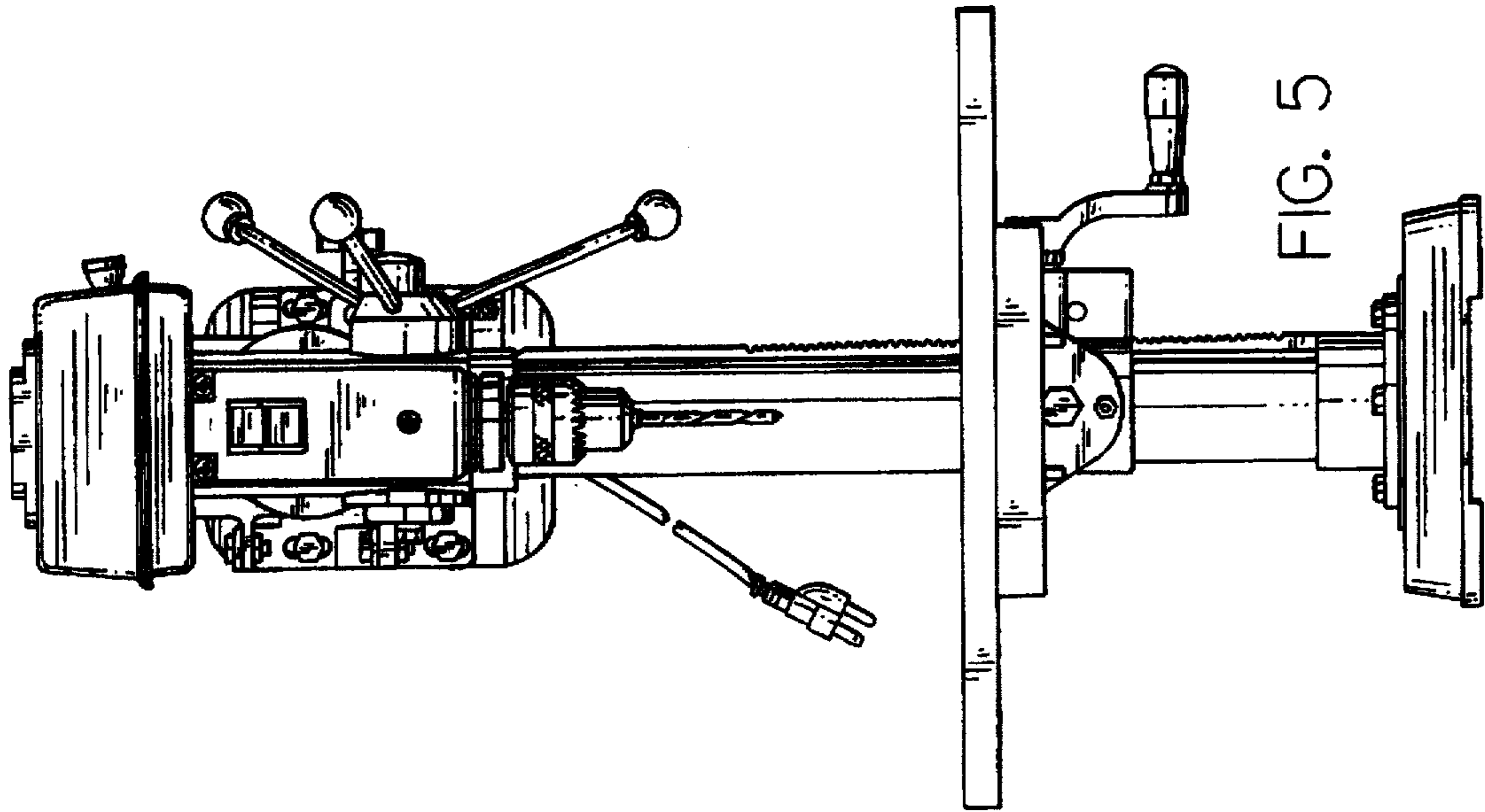


FIG. 1



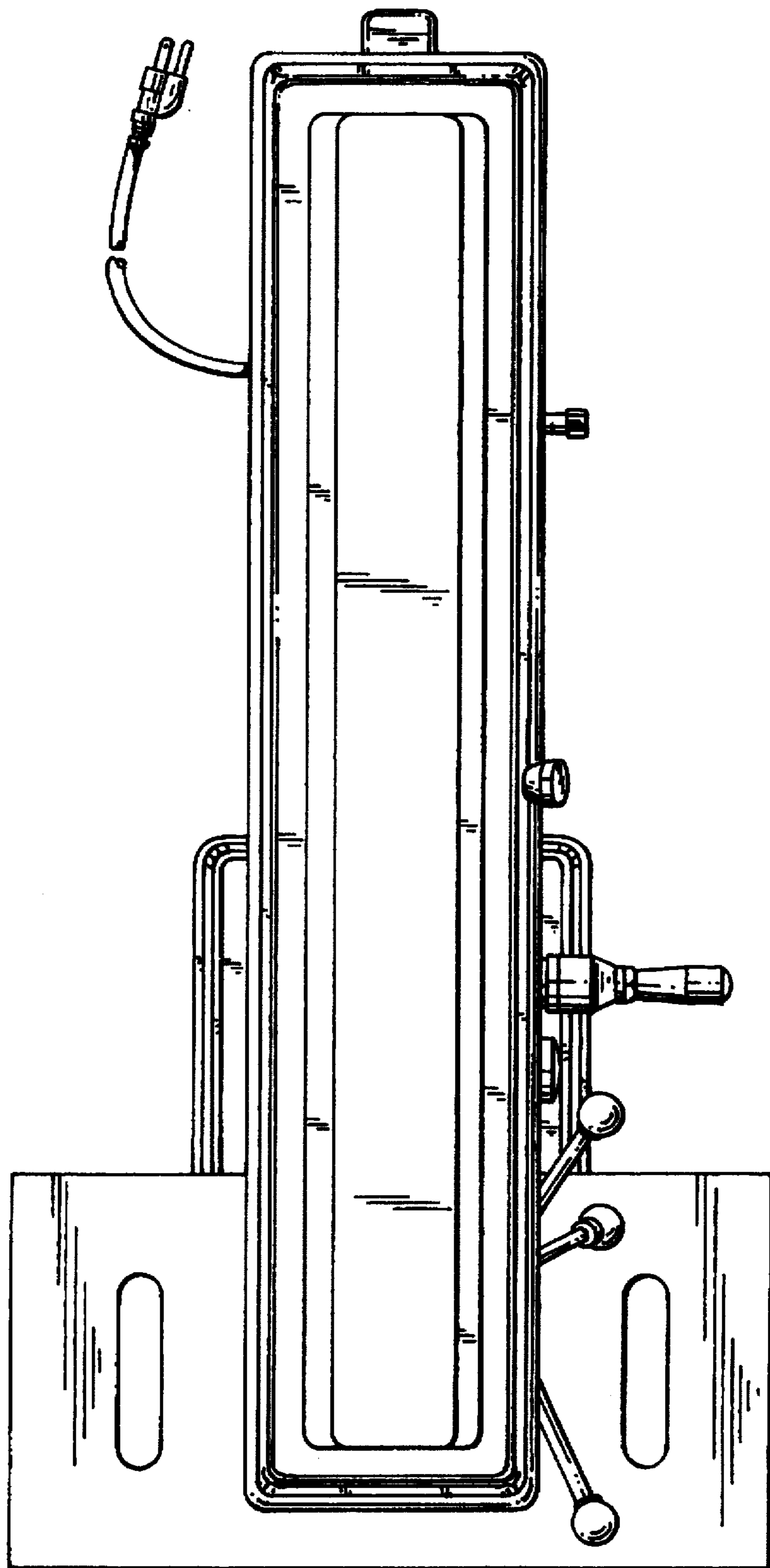


FIG. 3

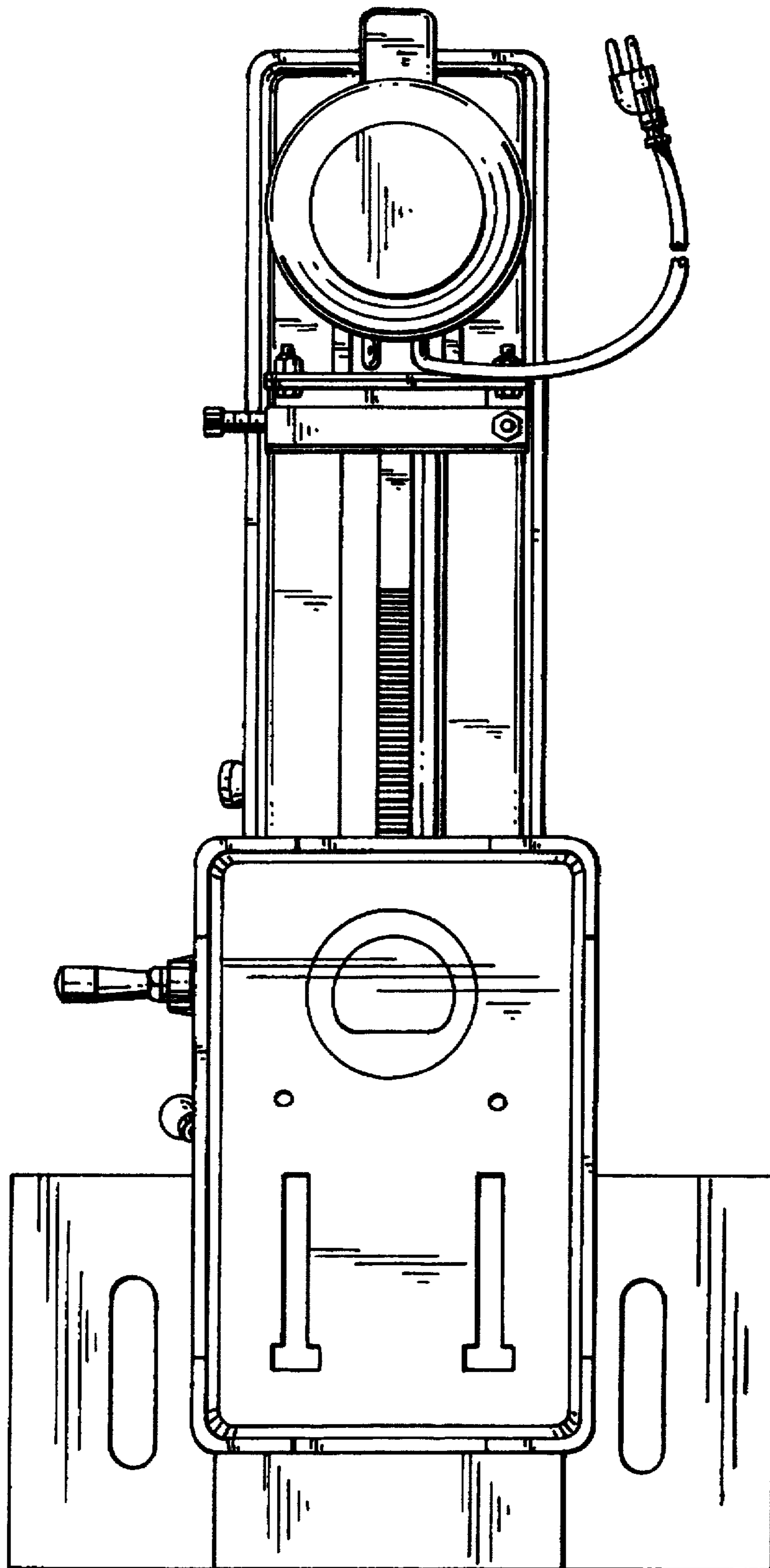


FIG. 4

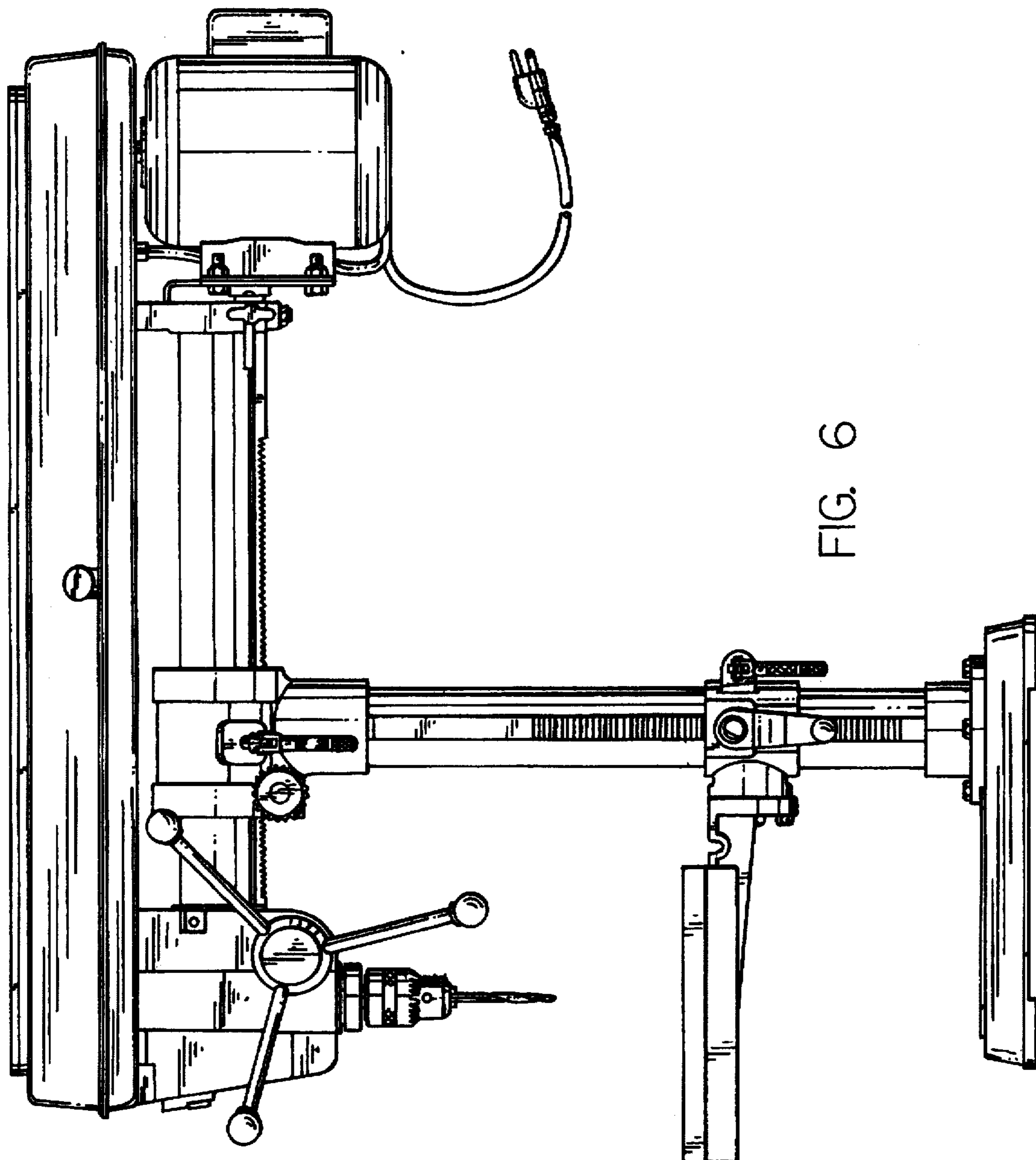


FIG. 6

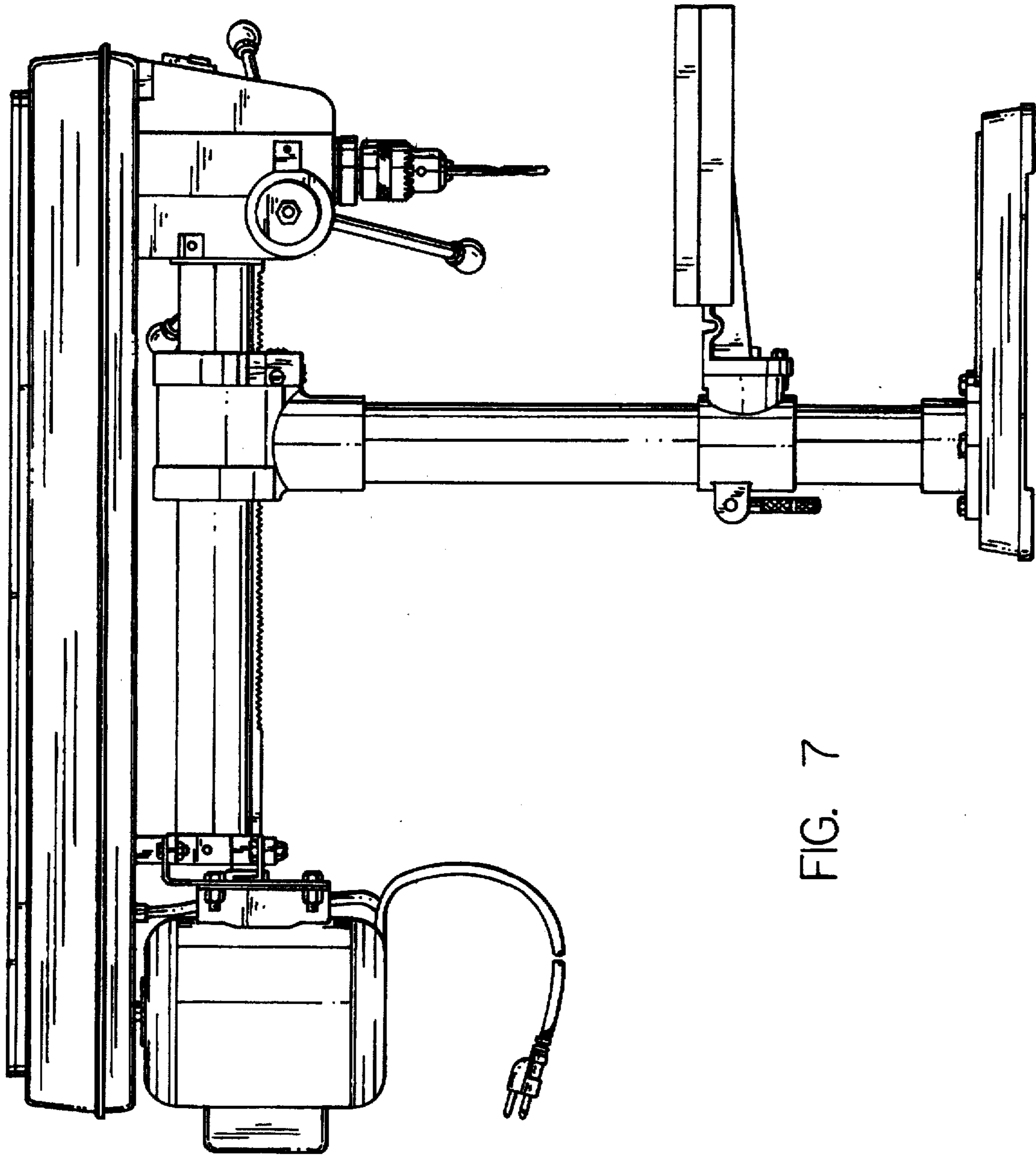


FIG. 7