

US00D386190S

# United States Patent [19]

[11] Patent Number: **Des. 386,190**

**Burch**

[45] Date of Patent: **\*\*Nov. 11, 1997**

[54] **FLUID DISPENSING CONTAINER**

[76] Inventor: **Thomas B. Burch**, P.O. Box 3583,  
Boone, N.C. 28607

[\*\*] Term: **14 Years**

[21] Appl. No.: **47,779**

[22] Filed: **Dec. 12, 1995**

[51] LOC (6) CL ..... **15-03**

[52] U.S. Cl. .... **D15/28; D23/208**

[58] Field of Search ..... **D23/202, 207,  
D23/208, 225; D9/416, 417; 220/581, 582,  
4.12, 4.13; D15/17; 222/168, 424.5; 206/503-505,  
509**

[56] **References Cited**

**U.S. PATENT DOCUMENTS**

D. 293,704	1/1988	Hart et al. ....	D23/202
D. 309,652	7/1990	Chalberg et al. ....	D23/207
D. 344,571	2/1994	Peasley .....	D23/202

*Primary Examiner*—Alan P. Douglas  
*Assistant Examiner*—Robin V. Taylor  
*Attorney, Agent, or Firm*—Ralph H. Dougherty

[57] **CLAIM**

The ornamental design for a fluid dispensing container, as shown and described.

**DESCRIPTION**

FIG. 1 is a perspective view of a fluid dispensing container, showing my new design;

FIG. 2 is a perspective view of my new fluid dispensing container stacked five high on a lawnmower deck, the items in dotted lines forming no part of the invented design;

FIG. 3 is a top view of the fluid dispensing container of FIG. 1;

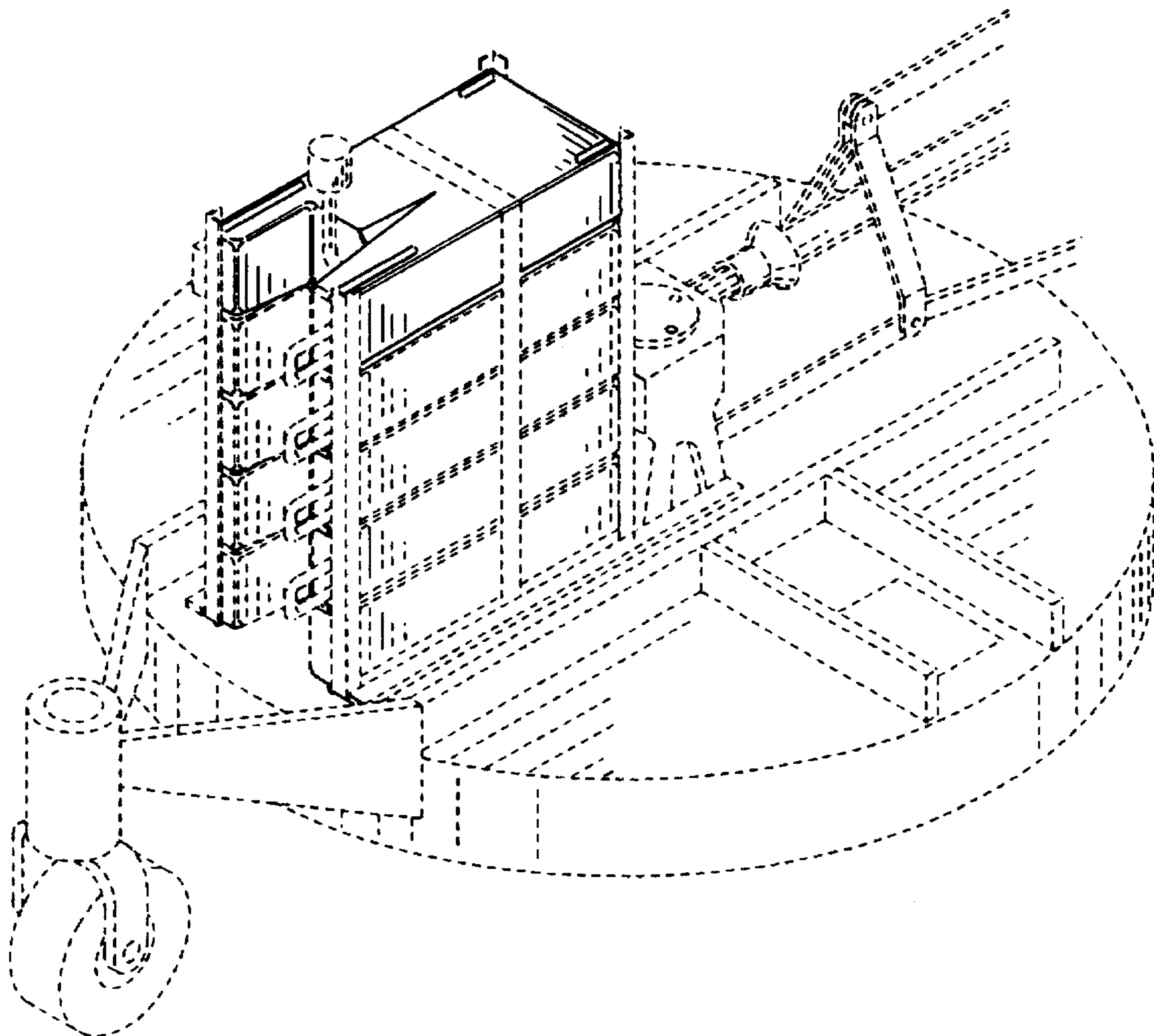
FIG. 4 is a rear elevational view thereof;

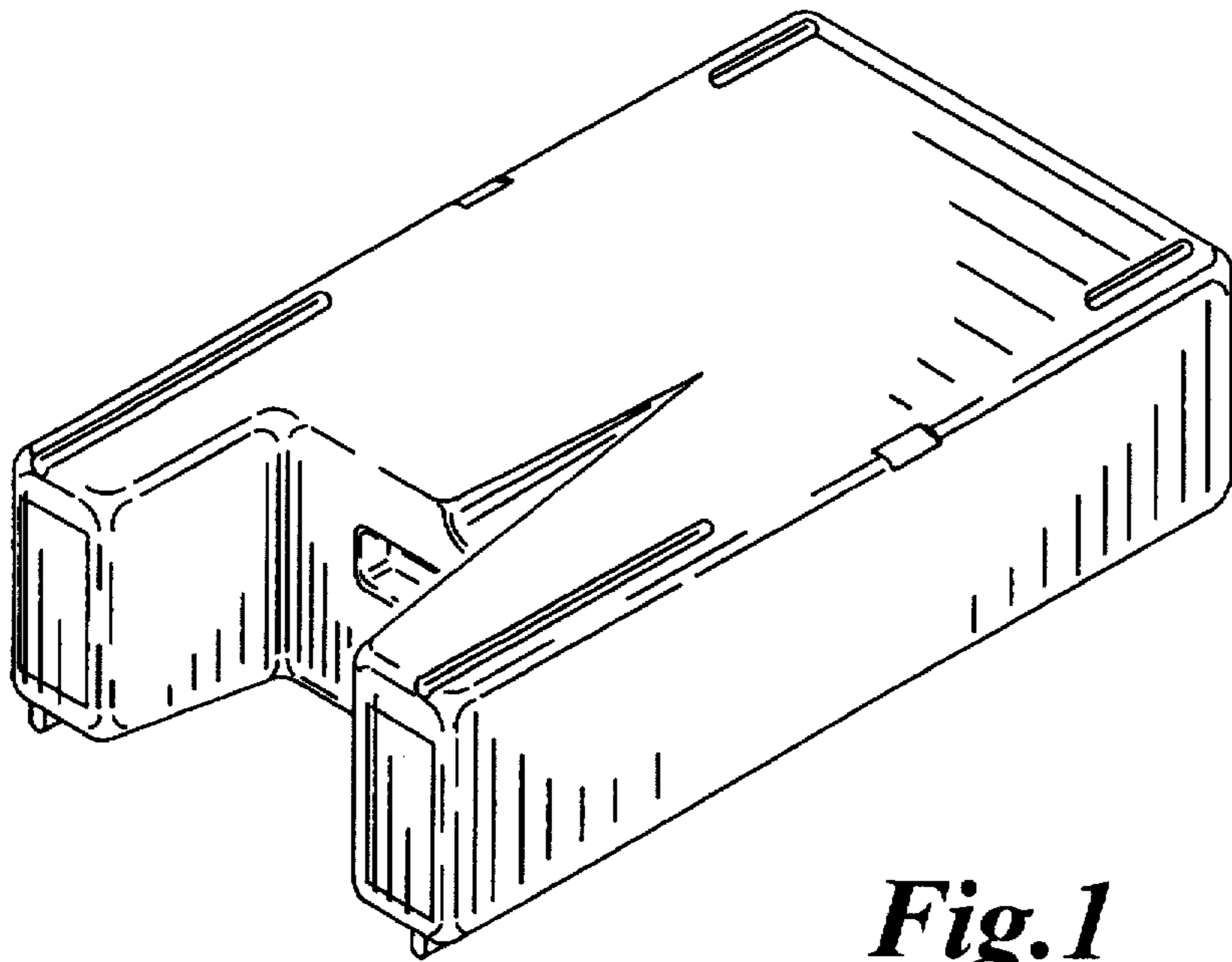
FIG. 5 is a side elevational view thereof, the opposite side being a mirror image;

FIG. 6 is a front elevational view thereof; and,

FIG. 7 is a bottom view thereof.

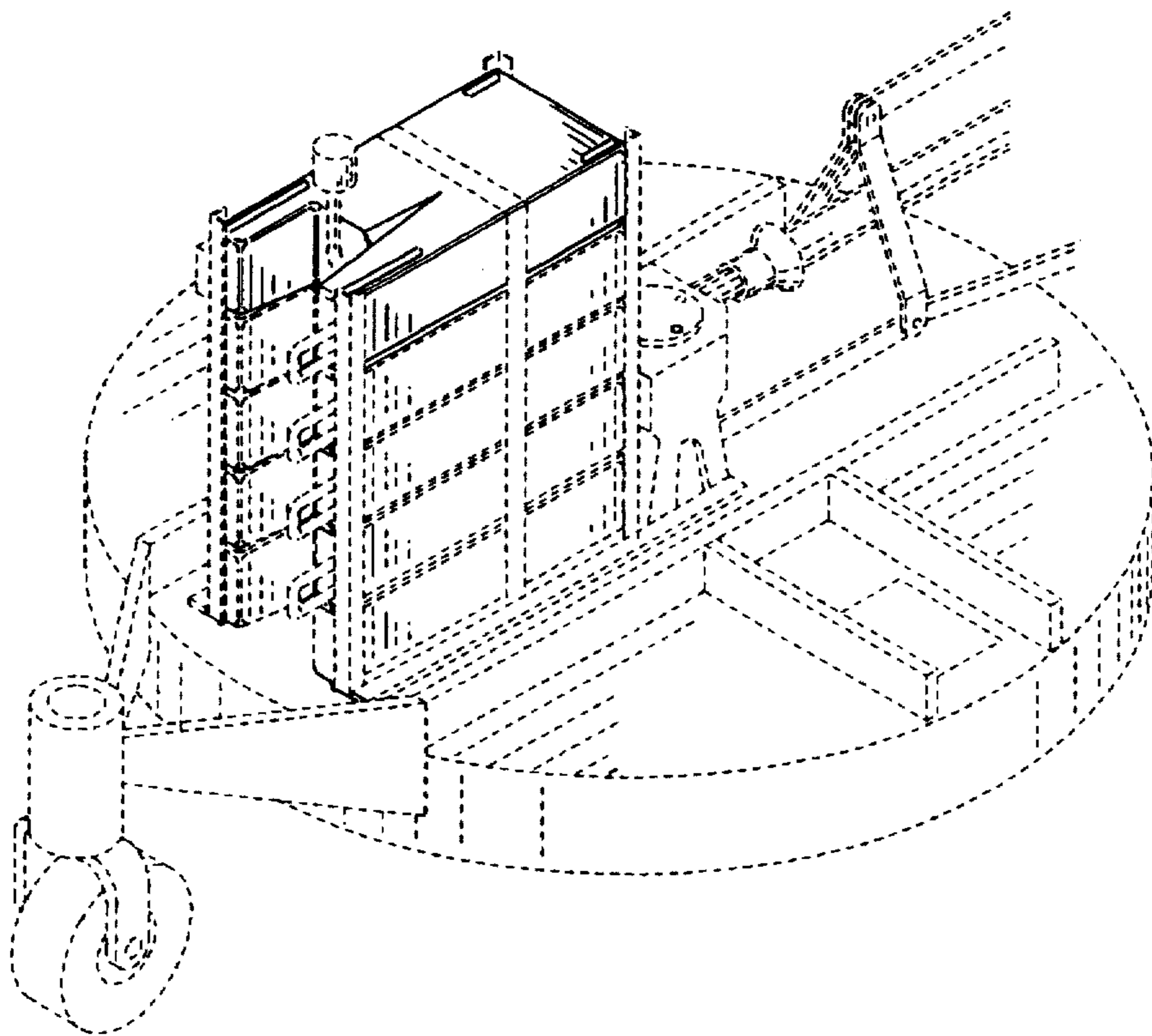
**1 Claim, 2 Drawing Sheets**



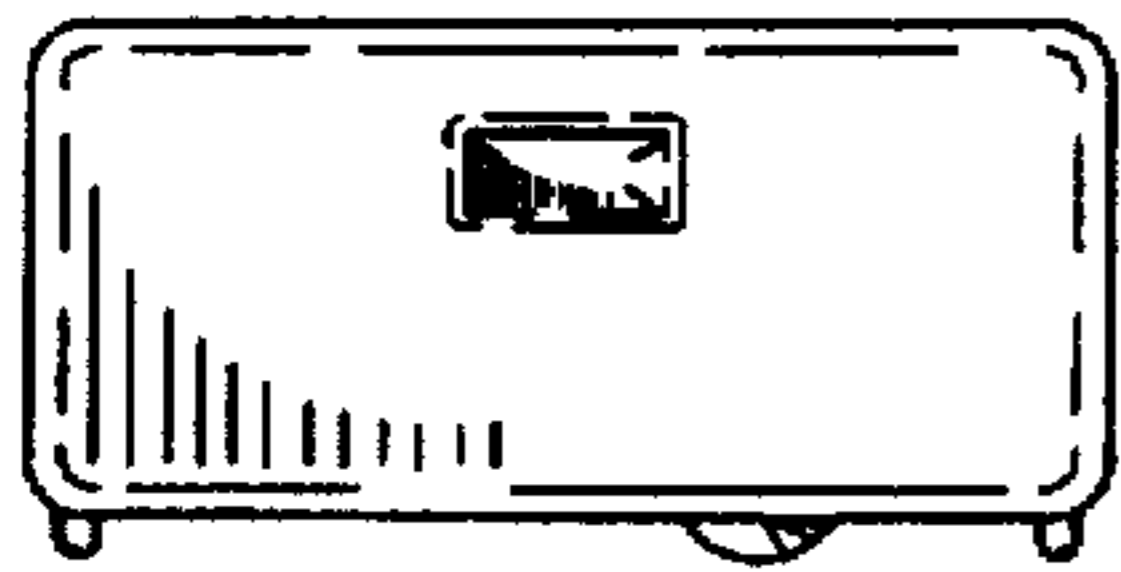
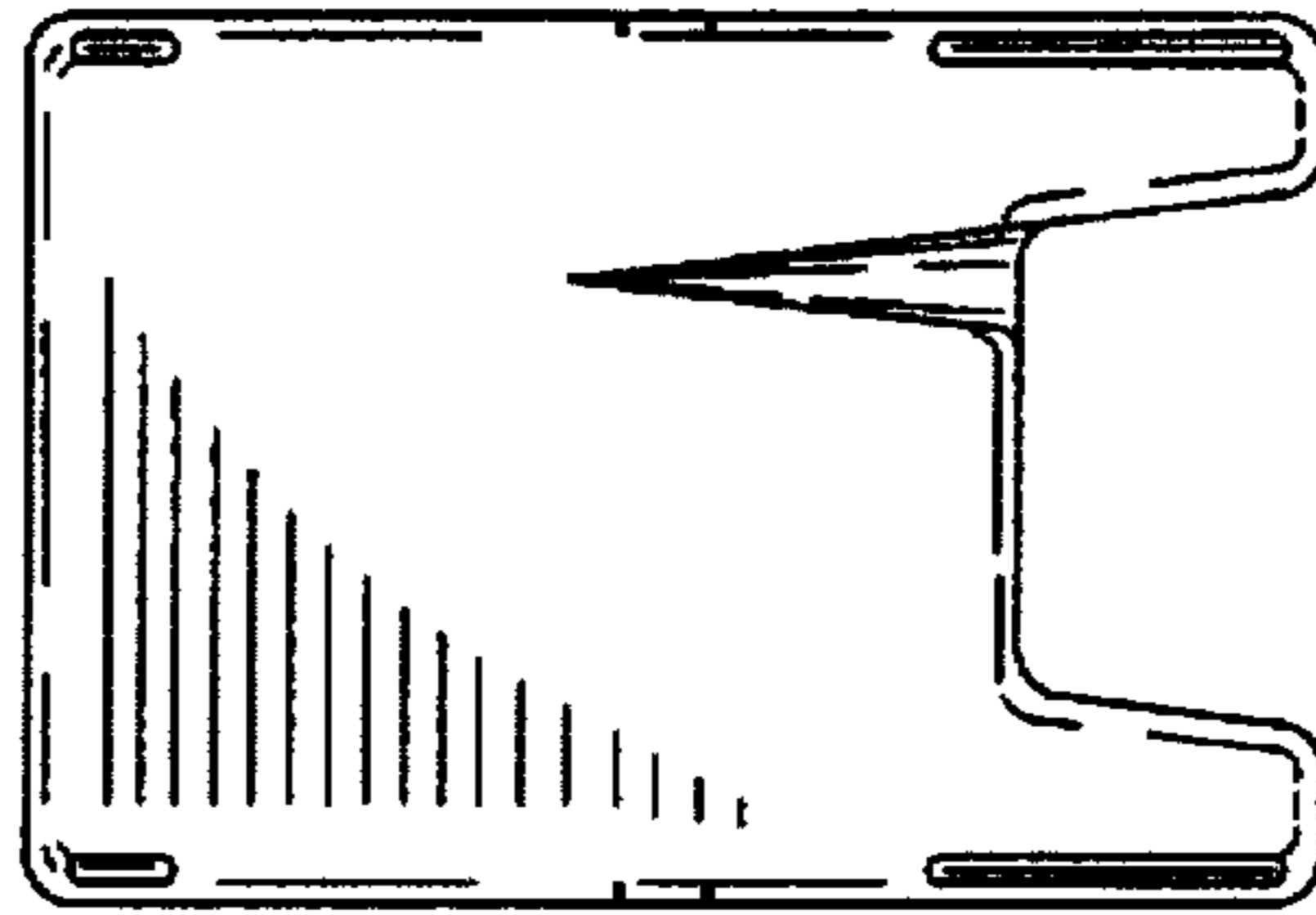


*Fig. 1*

*Fig. 2*



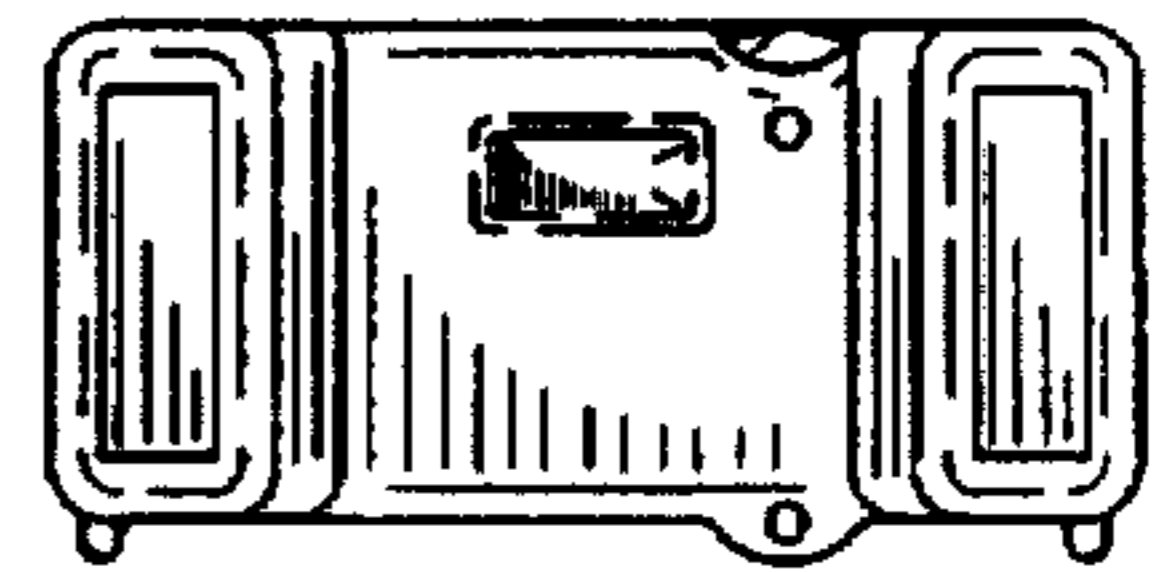
*Fig.3*



*Fig.4*



*Fig.5*



*Fig.6*

*Fig.7*

