



US00D386189S

United States Patent [19]
Wolf

[11] **Patent Number: Des. 386,189**
[45] **Date of Patent: **Nov. 11, 1997**

[54] **RIDING MOWER**

[76] **Inventor: Bradley John Wolf, 7565 Basswood Ct. #F, N. Royalton, Ohio 44133**

[**] **Term: 14 Years**

[21] **Appl. No.: 59,206**

[22] **Filed: Sep. 5, 1996**

[51] **LOC (6) Cl. 15-03**

[52] **U.S. Cl. D15/15**

[58] **Field of Search D15/14-17; 56/17.5, 56/249, 255, 295, 320.1, 320.2**

[56] **References Cited**

U.S. PATENT DOCUMENTS

D. 293,683	1/1988	Mizushima et al.	D15/15
D. 340,461	10/1993	Patterson et al.	D15/15
D. 363,937	11/1995	Kato et al.	D15/15
D. 365,349	12/1995	Katoh et al.	D15/15
5,136,829	8/1992	Sebben et al.	D15/15

OTHER PUBLICATIONS

95 Deere Season Savings, cover John Deere GX75.

Primary Examiner—Sandra L. Morris

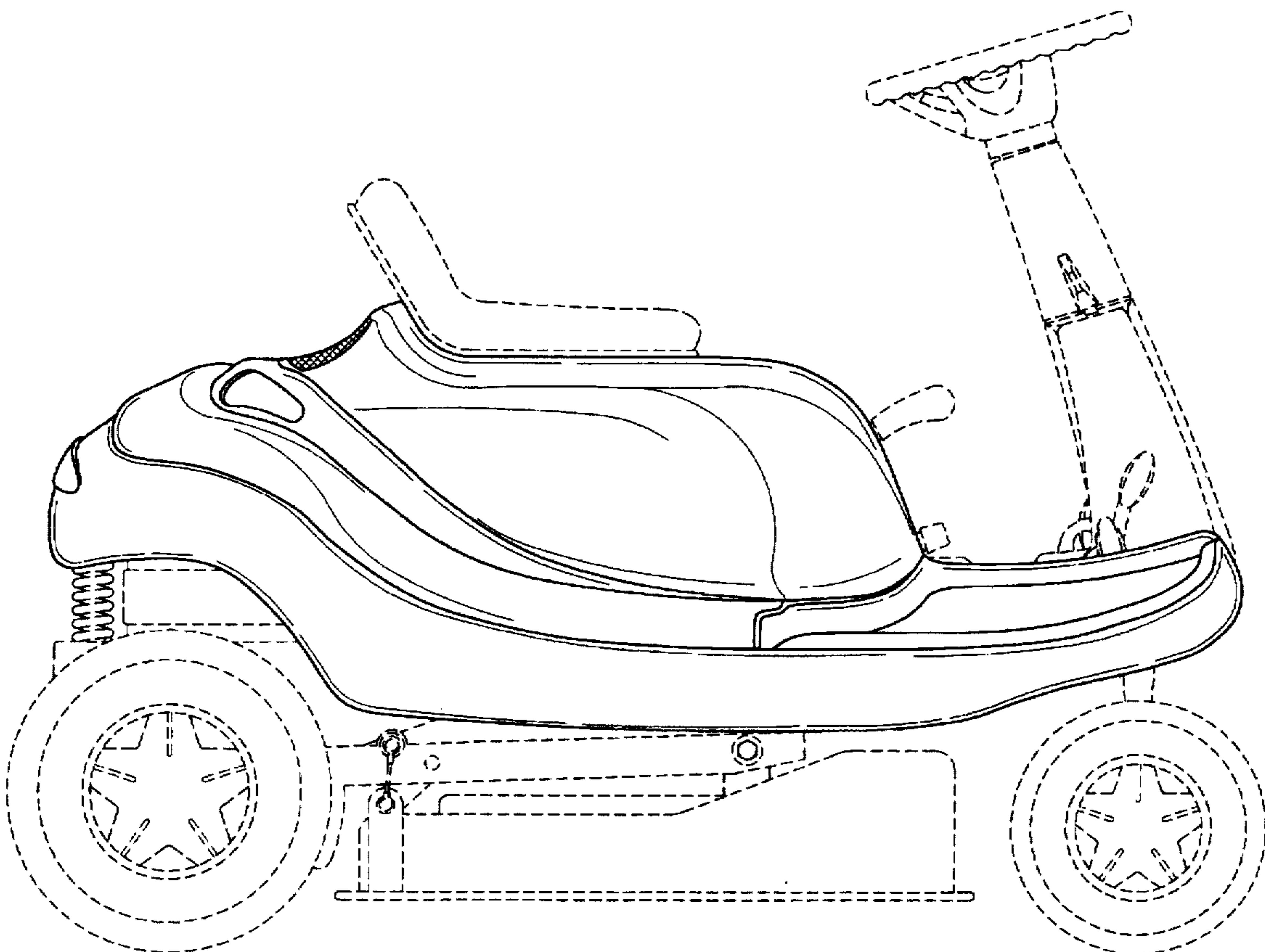
[57] **CLAIM**

The ornamental design for a riding mower, as shown and described.

DESCRIPTION

FIG. 1 is a left side elevational view of a riding mower, showing my new design;
FIG. 2 is a right side elevational view thereof;
FIG. 3 is a front view thereof;
FIG. 4 is a rear view thereof; and,
FIG. 5 is a top plan view thereof.
The broken line showing of the rest of the mower is for illustrative purposes only, and forms no part of the claimed design.

1 Claim, 4 Drawing Sheets



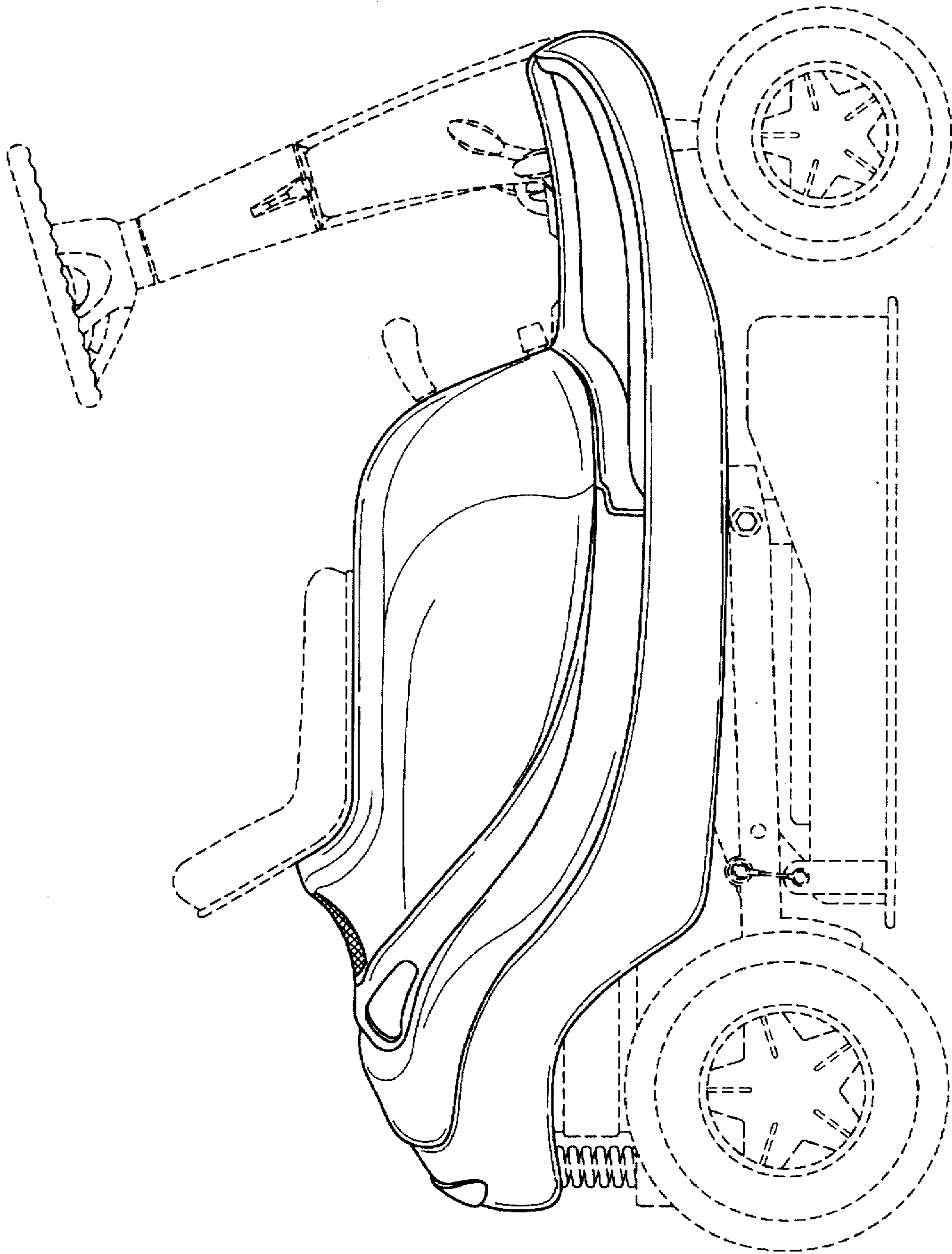
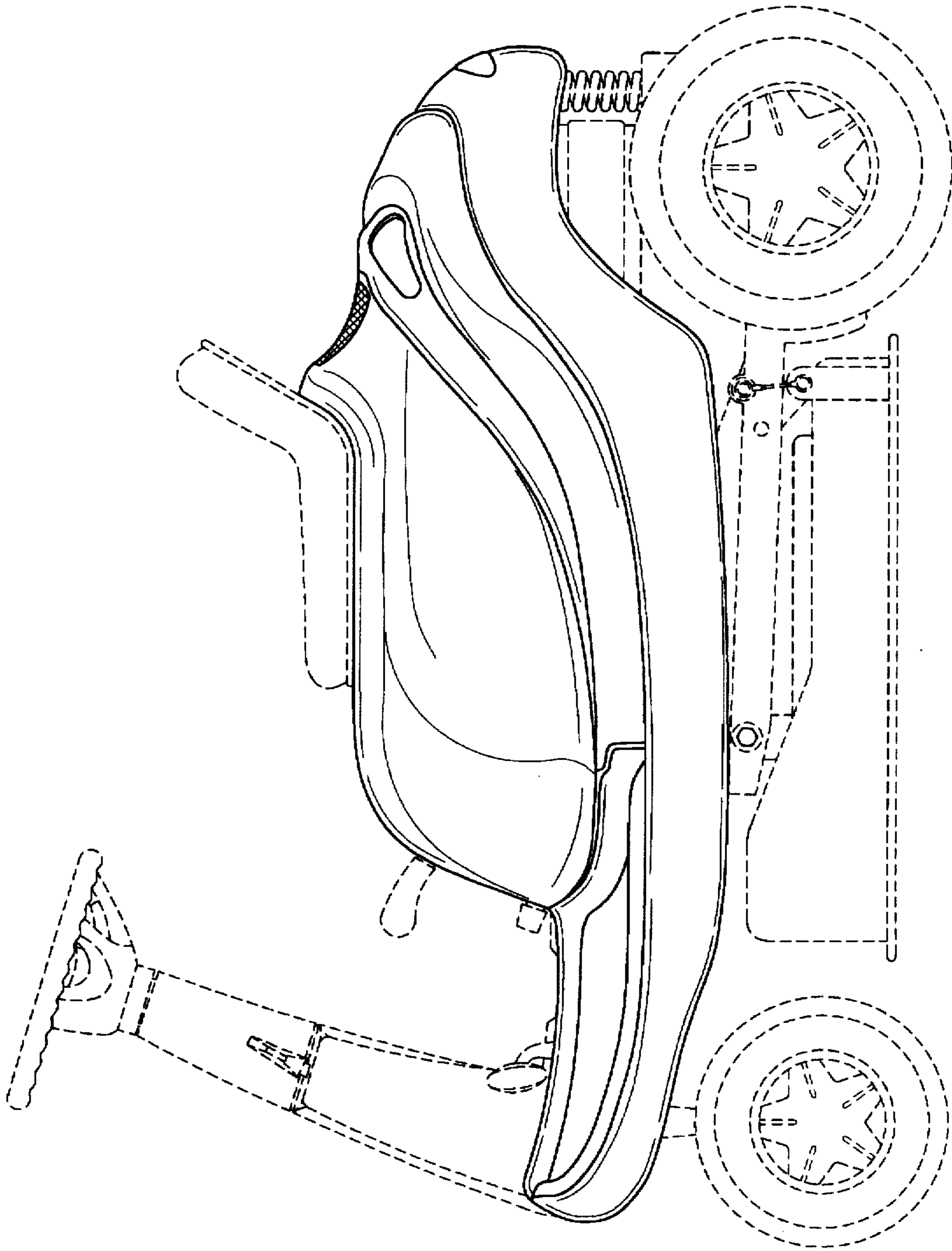


FIG-1



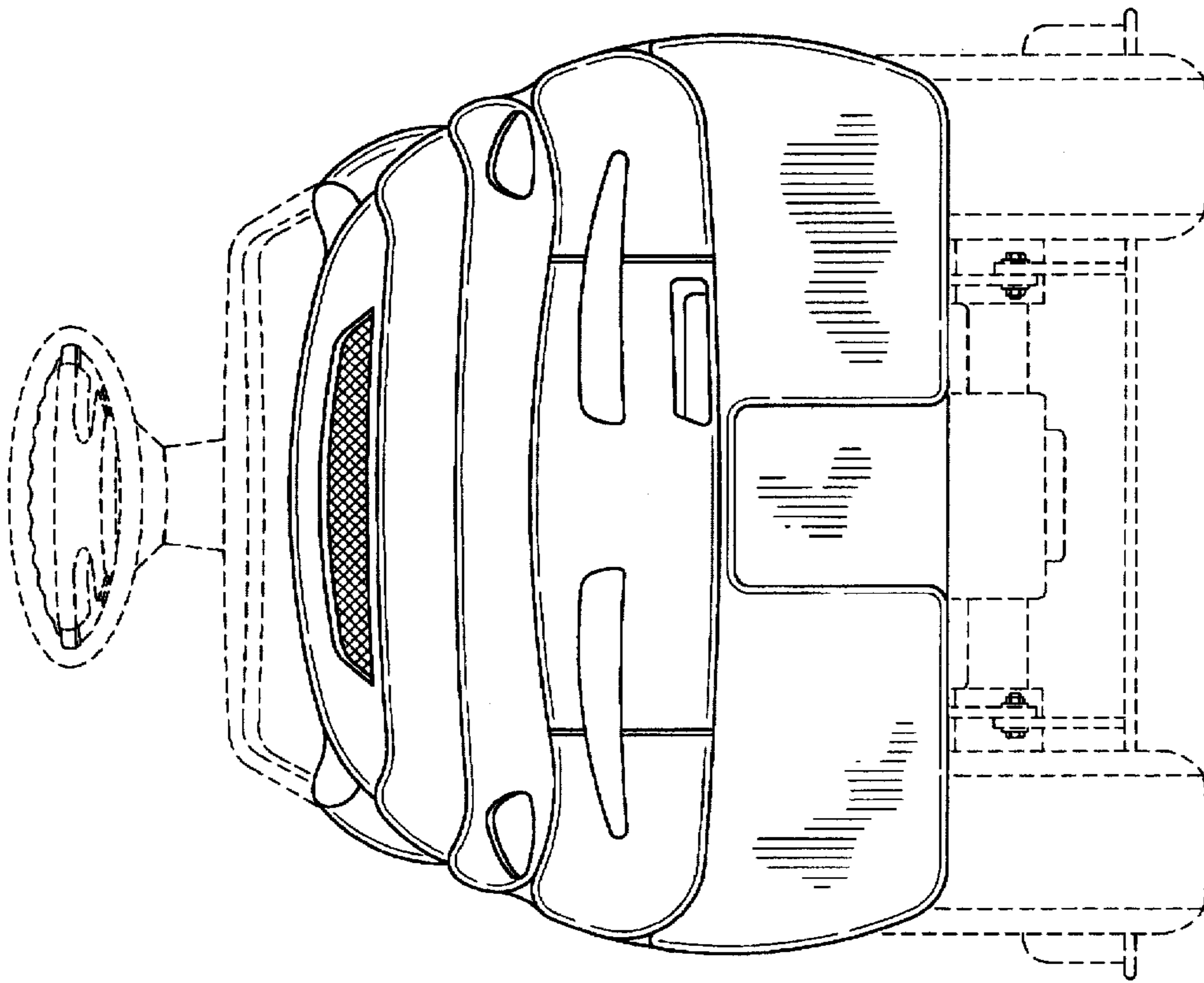


FIG-4

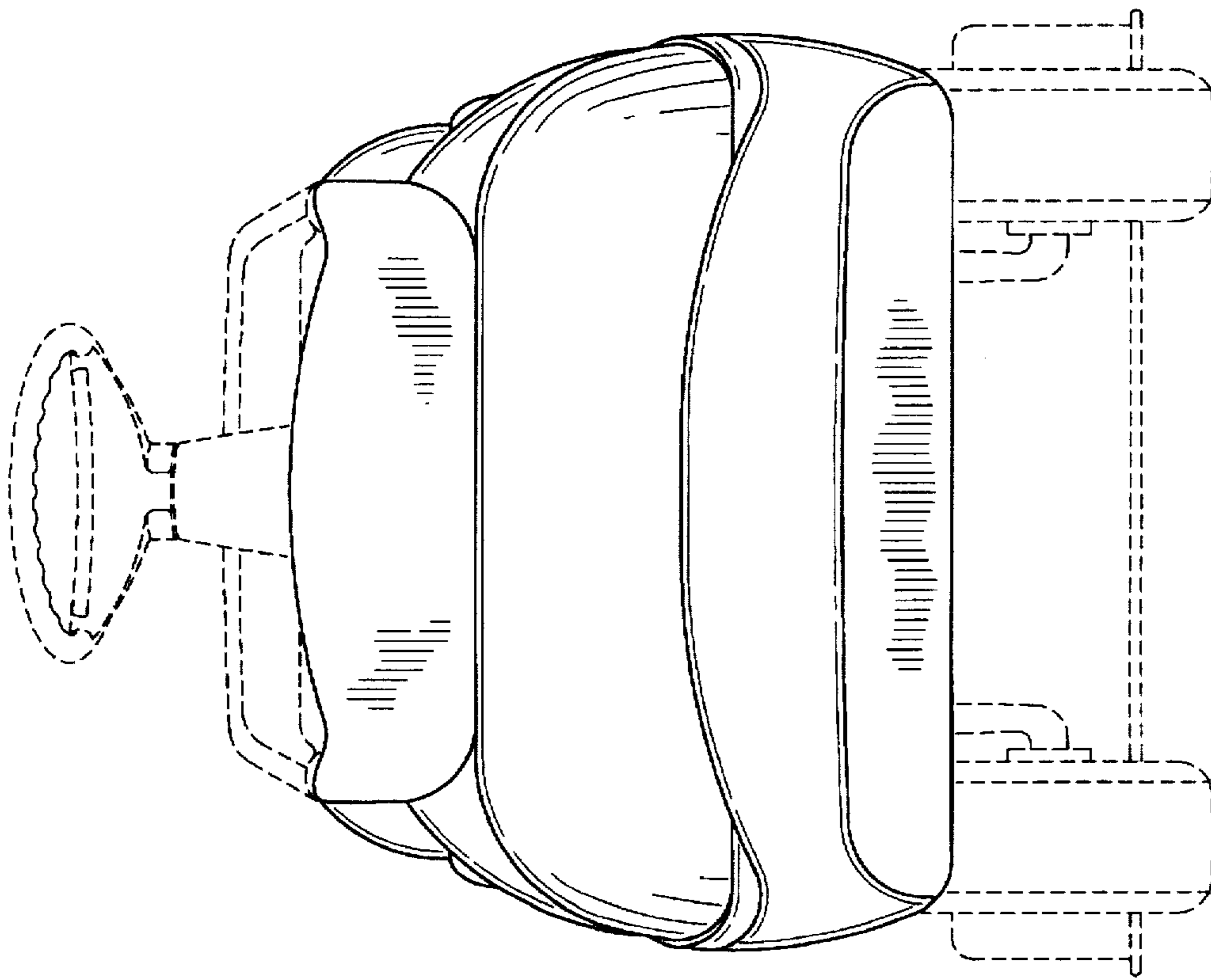


FIG-3

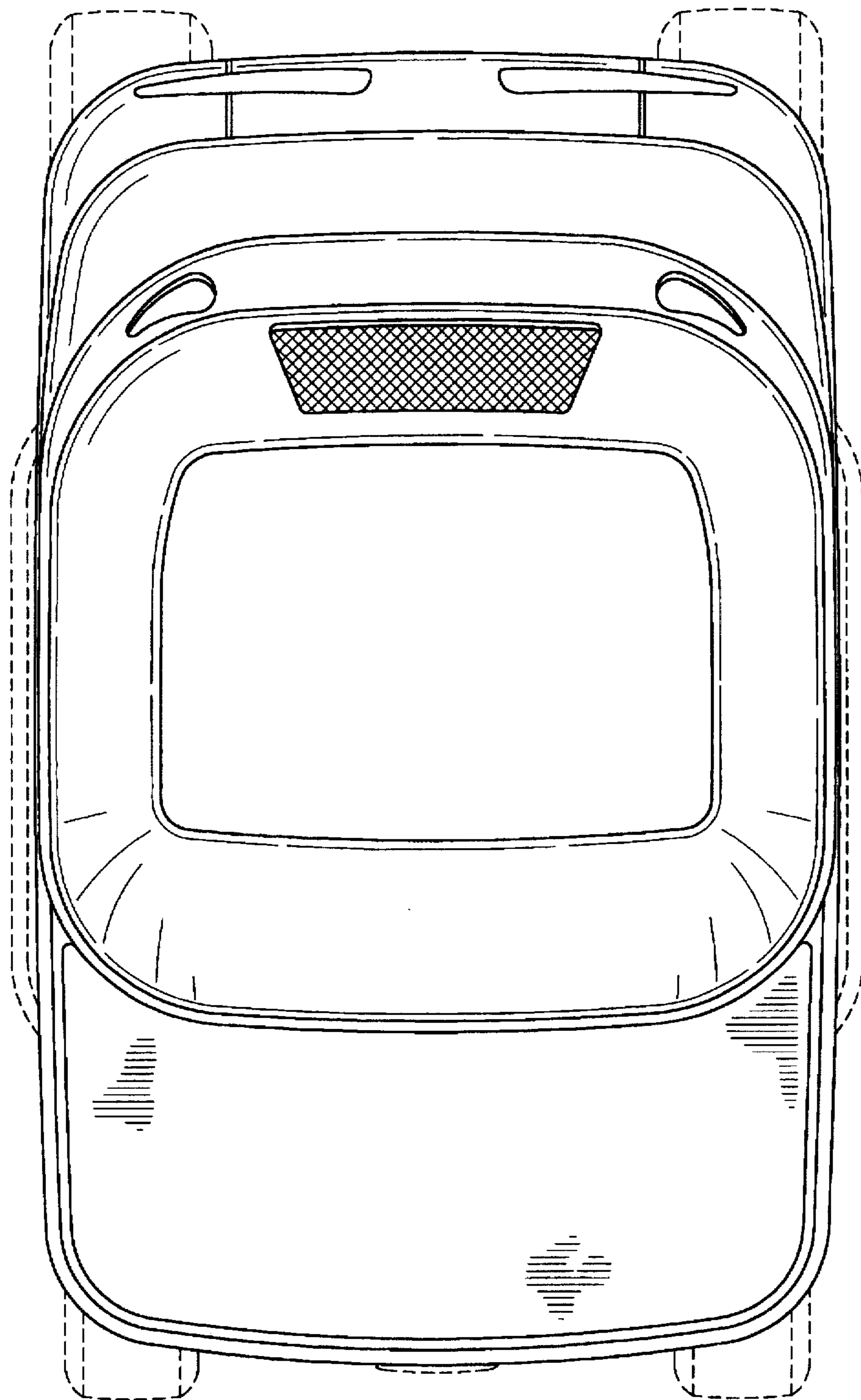


FIG-5