



US00D386187S

United States Patent [19]

Alsabrook, Sr.

[11] Patent Number: **Des. 386,187**

[45] Date of Patent: ****Nov. 11, 1997**

[54] **STEREO SPEAKER MOUNTING BRACKET**

[76] Inventor: **William Edward Alsabrook, Sr., 7227 W. Mt. View Rd., Peoria, Ariz. 85345**

[**] Term: **14 Years**

[21] Appl. No.: **62,671**

[22] Filed: **Nov. 21, 1996**

[51] LOC (6) CL **14-01**

[52] U.S. Cl. **D14/224**

[58] Field of Search **D6/513; D8/354, D8/373; D14/224, 229; 211/86, 113; 248/317, 318, 323, 324, 327, 610**

[56] **References Cited**

U.S. PATENT DOCUMENTS

- D. 285,411 9/1986 Mahoney D8/354 X
- D. 309,562 7/1990 Boscacci et al. D8/373
- 4,101,103 7/1978 Mooney et al. 248/317 X
- 4,427,171 1/1984 Frederiksen 248/317 X

- 5,310,152 5/1994 O'Neill 248/324 X
- 5,368,270 11/1994 Wiwczar D14/224 X
- 5,393,025 2/1995 Franklin 248/317

Primary Examiner—Ted Shooman
Assistant Examiner—Nanda Bondade

[57] **CLAIM**

The ornamental design for a stereo speaker mounting bracket, as shown and described.

DESCRIPTION

FIG. 1 is a front elevational view of a stereo speaker mounting bracket showing my new design; the broken line showing of the speaker is for illustrative purposes only and forms no part of the claimed design; FIG. 2 is rear elevational view thereof; FIG. 3 is a left side elevational view thereof; FIG. 4 is a right side elevational view thereof; FIG. 5 is a top plan view thereof; and, FIG. 6 is a bottom plan view thereof.

1 Claim, 3 Drawing Sheets

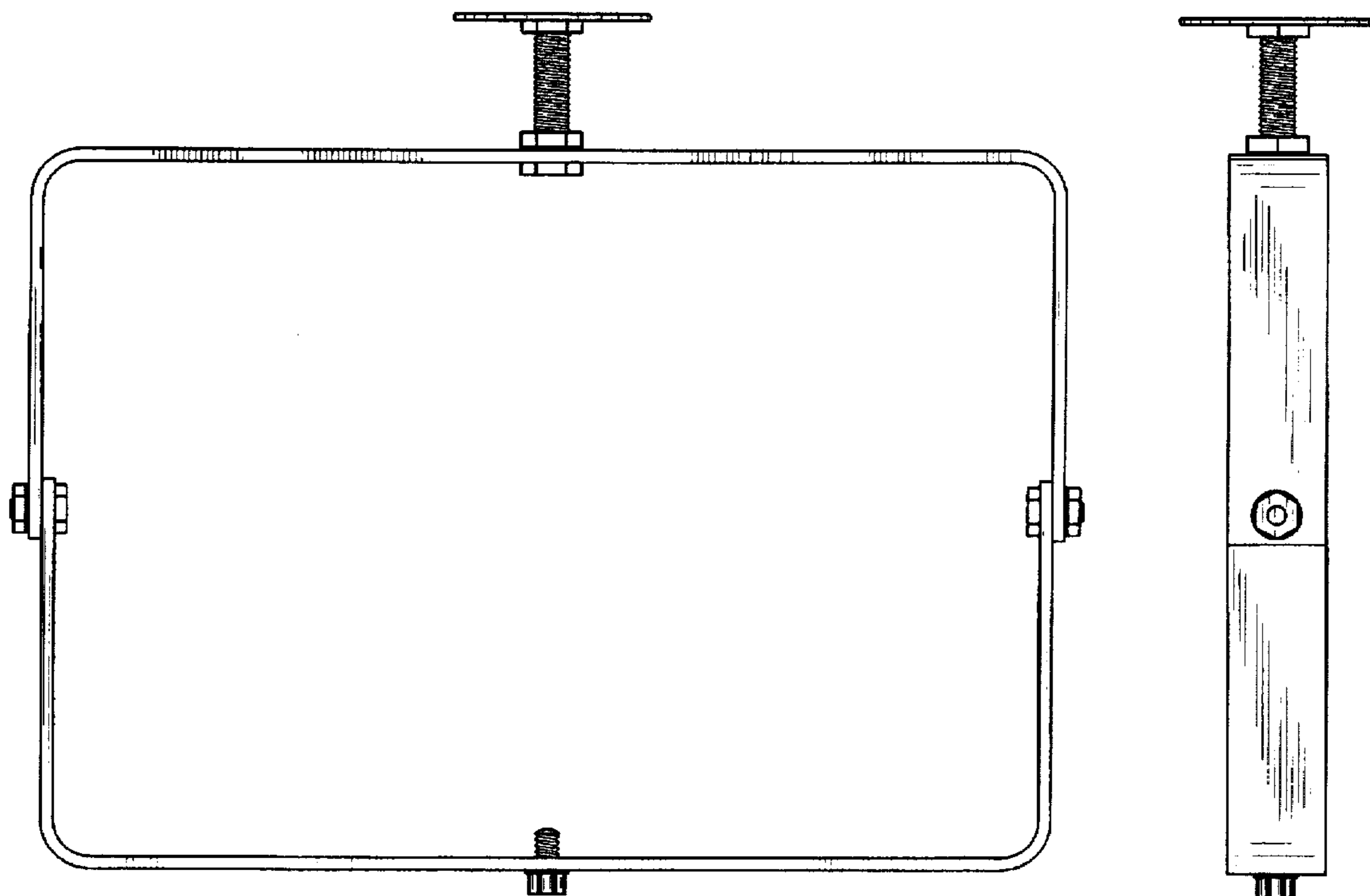


FIG. 1

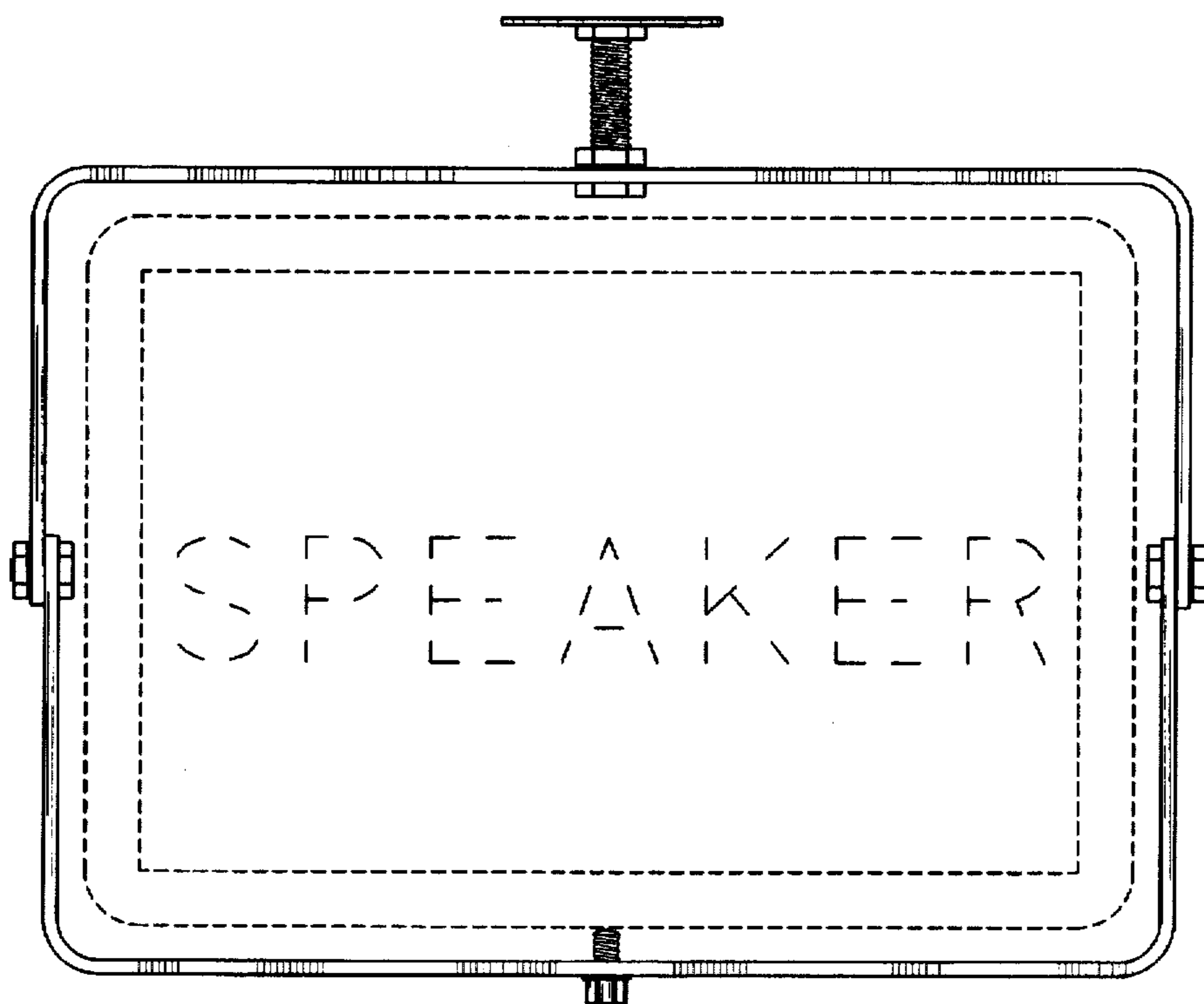


FIG. 2

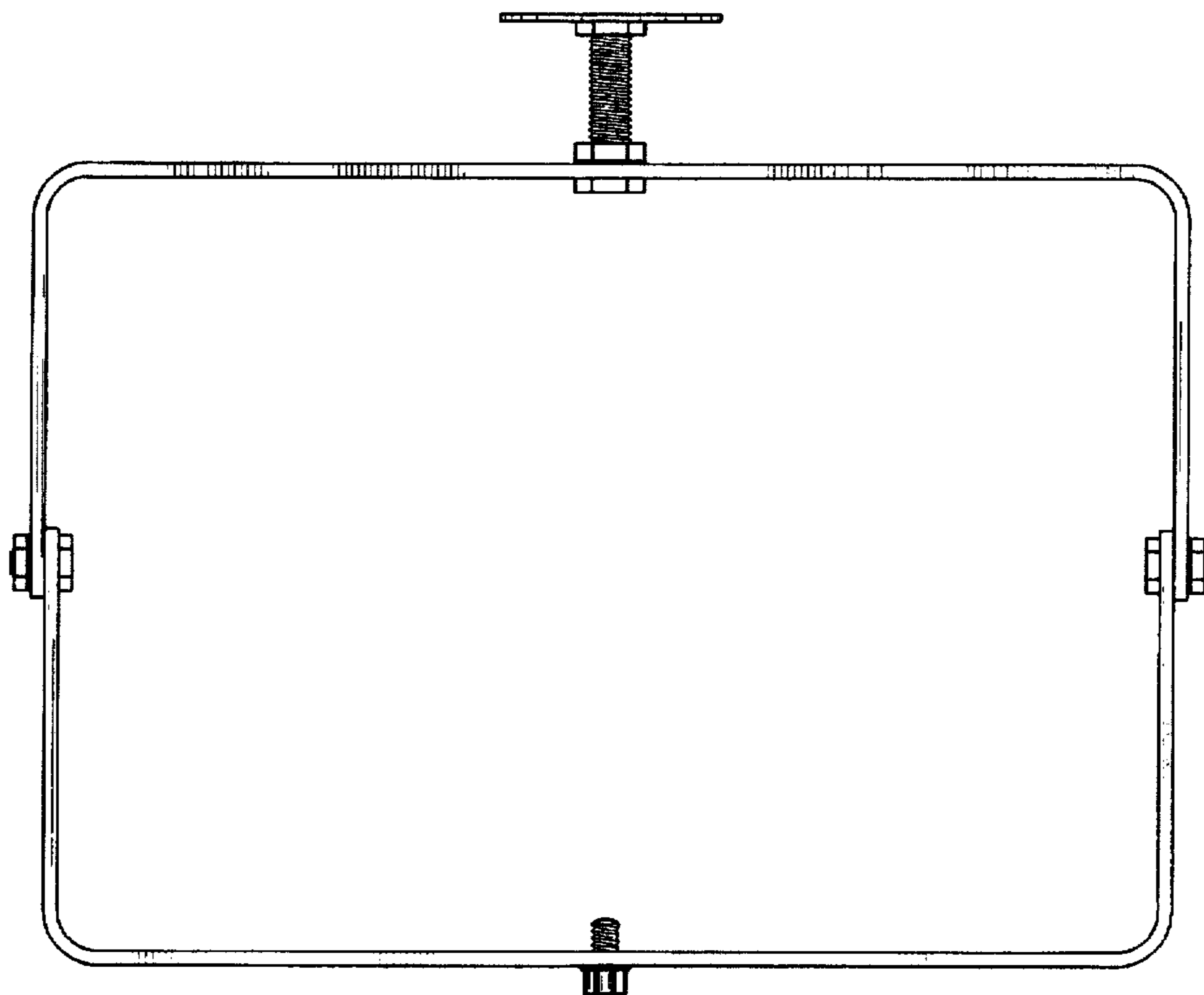


FIG. 3

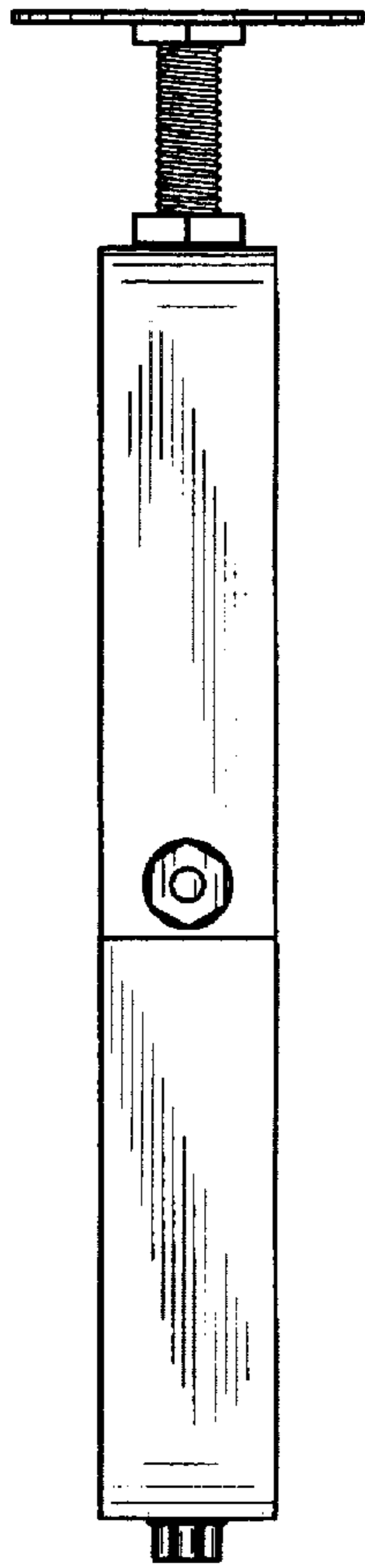


FIG. 4

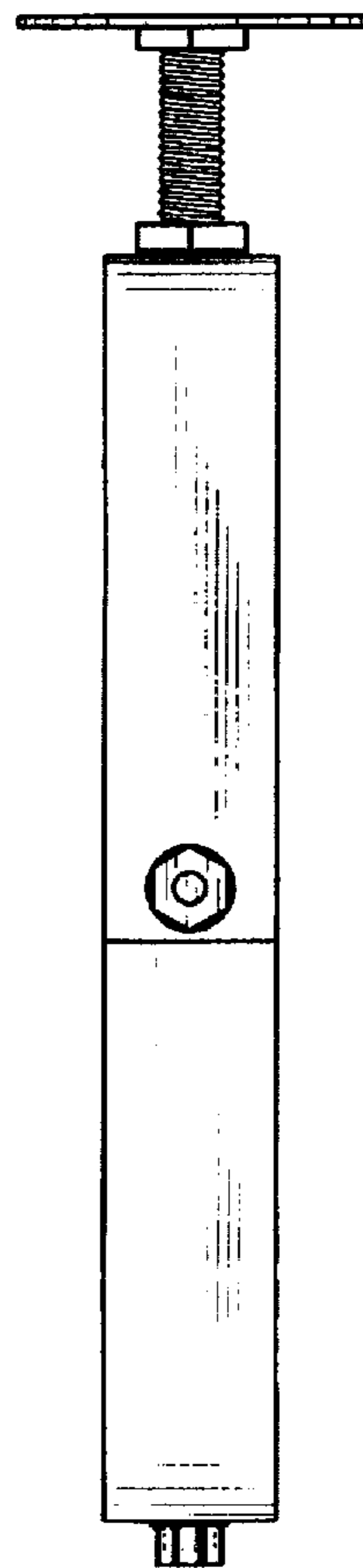


FIG. 5

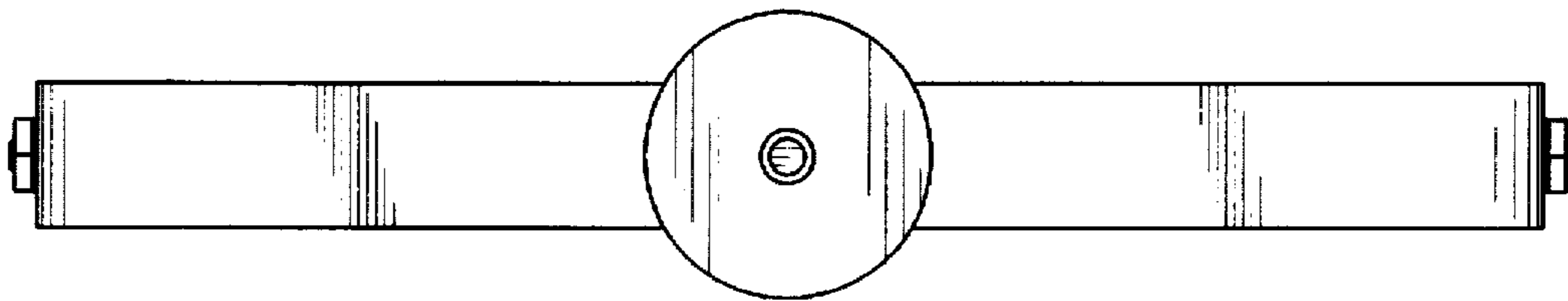


FIG. 6

