

US00D386158S

# United States Patent [19]

Rosen

[11] Patent Number: **Des. 386,158**

[45] Date of Patent: **\*\*Nov. 11, 1997**

[54] **COMBINED MONITOR AND SUPPORT**

[76] Inventor: **John B. Rosen**, 87580 Cherry Ridge Rd., Eugene, Oreg. 97402

[\*\*] Term: **14 Years**

[21] Appl. No.: **55,991**

[22] Filed: **Jun. 19, 1996**

[51] LOC (6) Cl. .... **14-02**

[52] U.S. Cl. .... **D14/113; D14/126**

[58] Field of Search ..... D14/100, 106, D14/113, 114, 124-129; 248/918-924, 126, 676, 677, 441.1, 447.2, 457, 475.1, 479, 534, 535, 917; 345/104, 133, 156, 168, 87, 173, 901-905; D8/373

[56] **References Cited**

**U.S. PATENT DOCUMENTS**

D. 275,431	9/1984	Usab	.....	248/921 X
D. 340,235	10/1993	Robak et al.	.	
D. 360,126	7/1995	Rosen	.	
D. 367,477	2/1996	Rosen	.	
4,836,486	6/1989	Vossoughi et al.	.....	248/921 X
5,076,524	12/1991	Reh et al.	.	
5,177,616	1/1993	Riday	.....	248/921 X

5,179,447	1/1993	Lain	.....	248/917 X
5,195,709	3/1993	Yasuski	.	
5,222,780	6/1993	Reh et al.	.	
5,271,590	12/1993	Rosen	.....	248/917 X
5,489,080	2/1996	Allen	.....	248/475.1 X

*Primary Examiner*—Freda Nunn  
*Attorney, Agent, or Firm*—Kolisch, Hartwell, Dickinson, McCormack & Heuser

[57] **CLAIM**

The ornamental design for a combined monitor and support, as shown and described.

**DESCRIPTION**

FIG. 1 is an isometric view of a combined monitor and support showing my new design; FIG. 2 is a front elevational view of my new design; FIG. 3 is a rear elevational view of my new design; FIG. 4 is a right-side elevational view of my new design; FIG. 5 is a left-side elevational view of my new design; FIG. 6 is a top plan view of my new design; and, FIG. 7 is a bottom plan view of my new design. The broken lines are shown in FIG. 1 for illustrative purposes only and form no part of the claimed design.

**1 Claim, 2 Drawing Sheets**

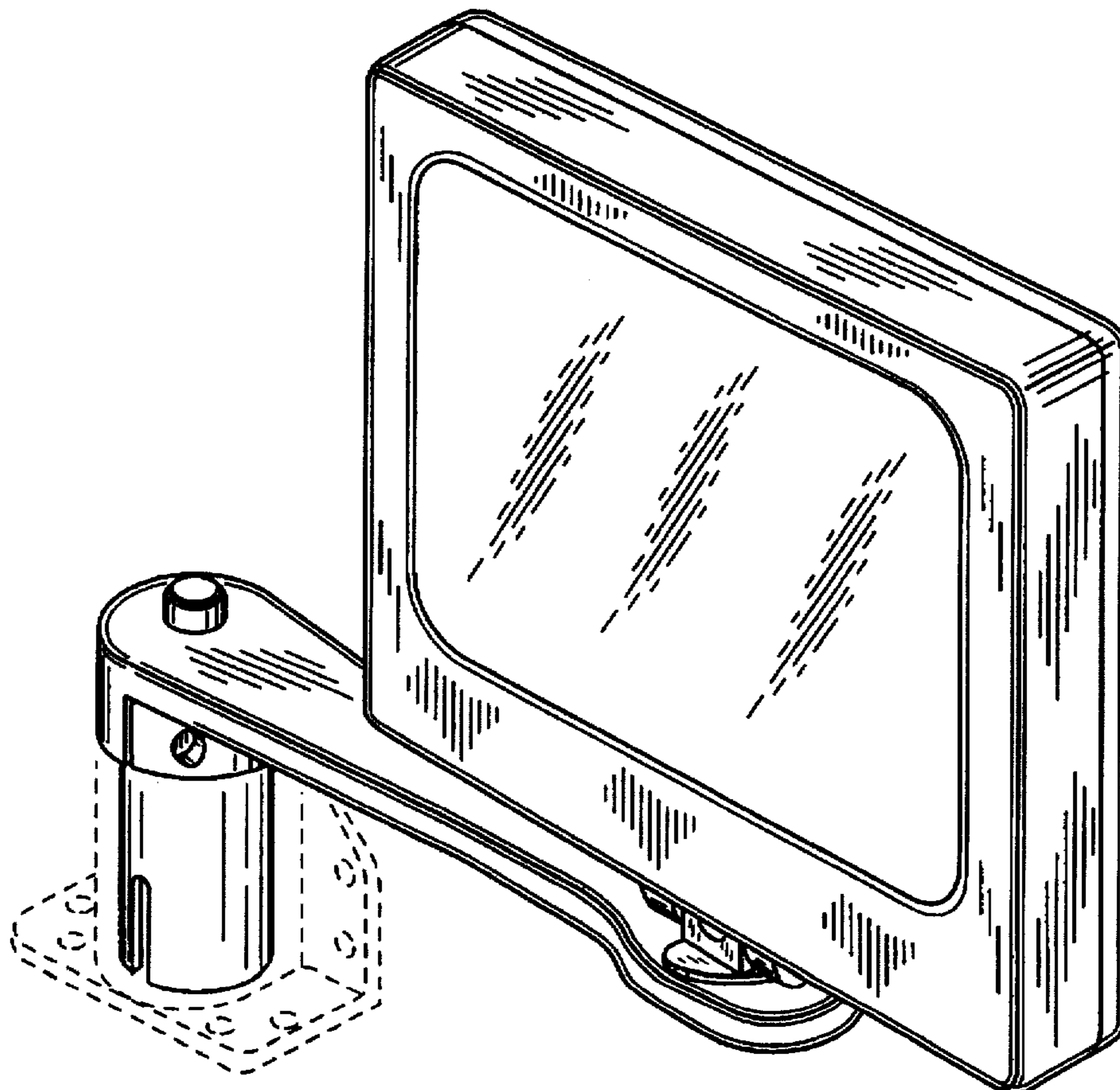


FIG. 1

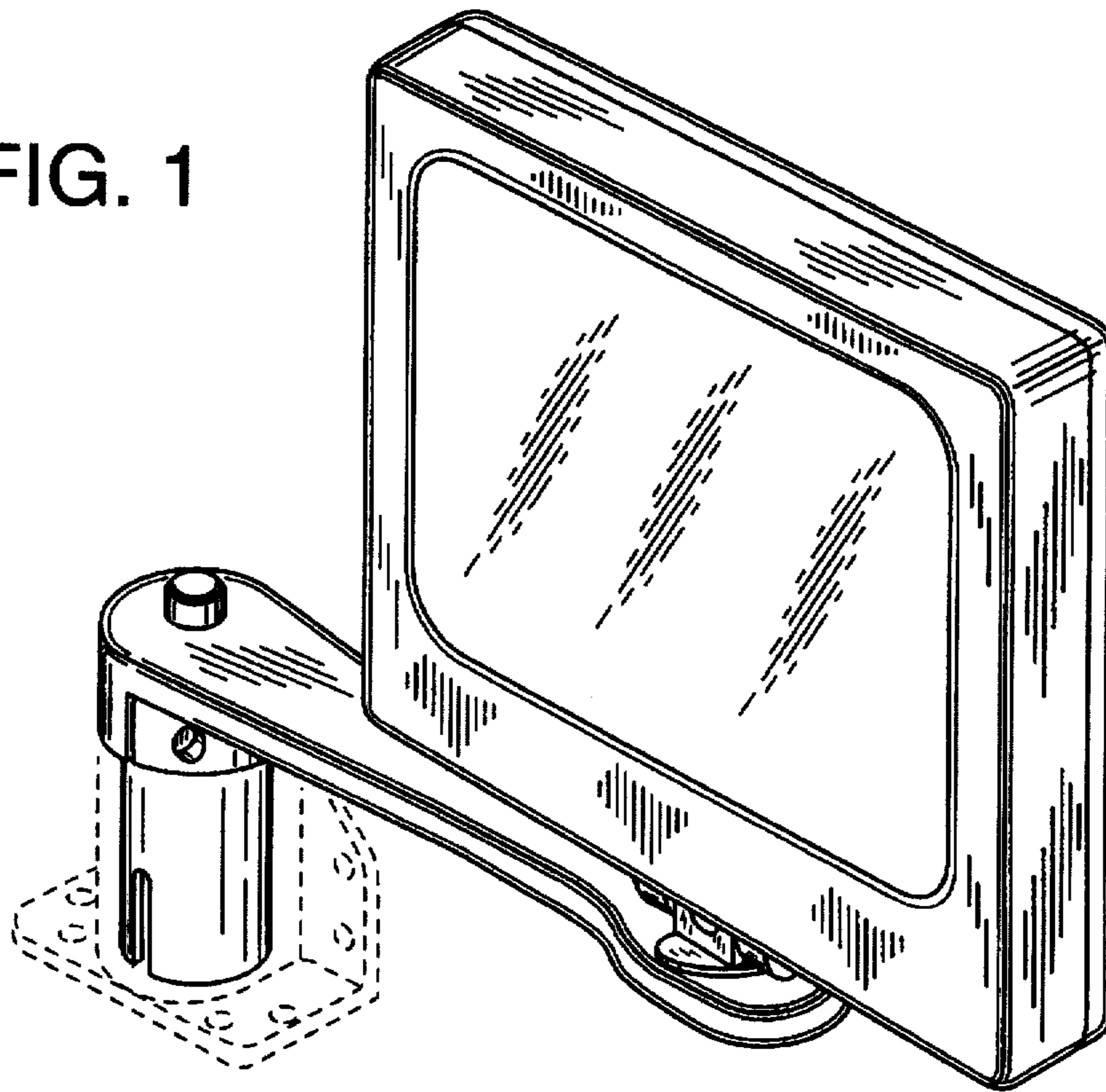


FIG. 2

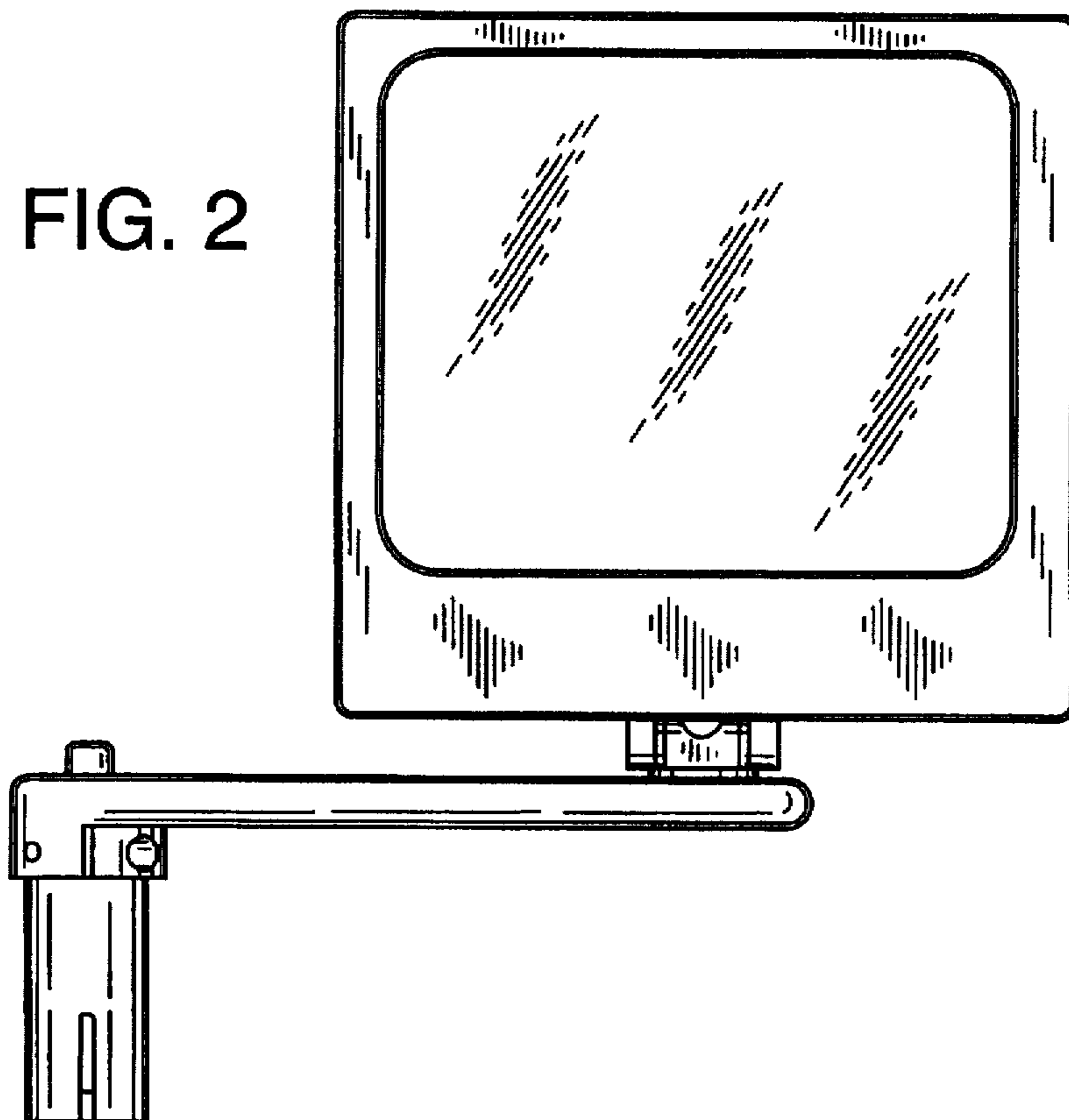


FIG. 6

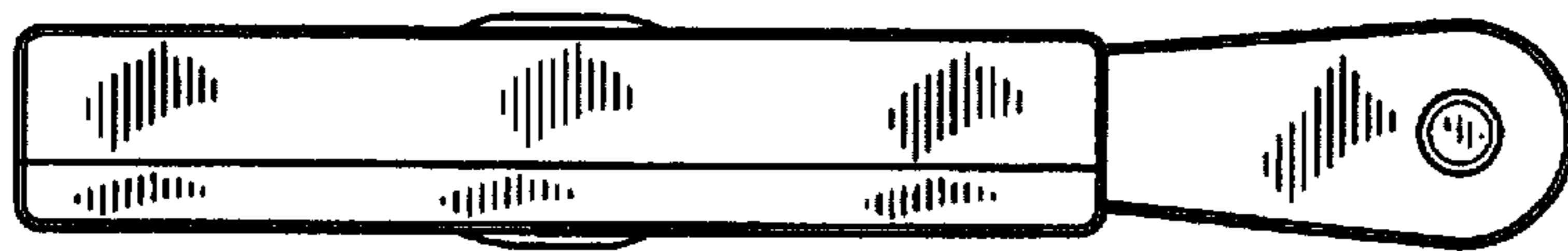


FIG. 4 FIG. 3

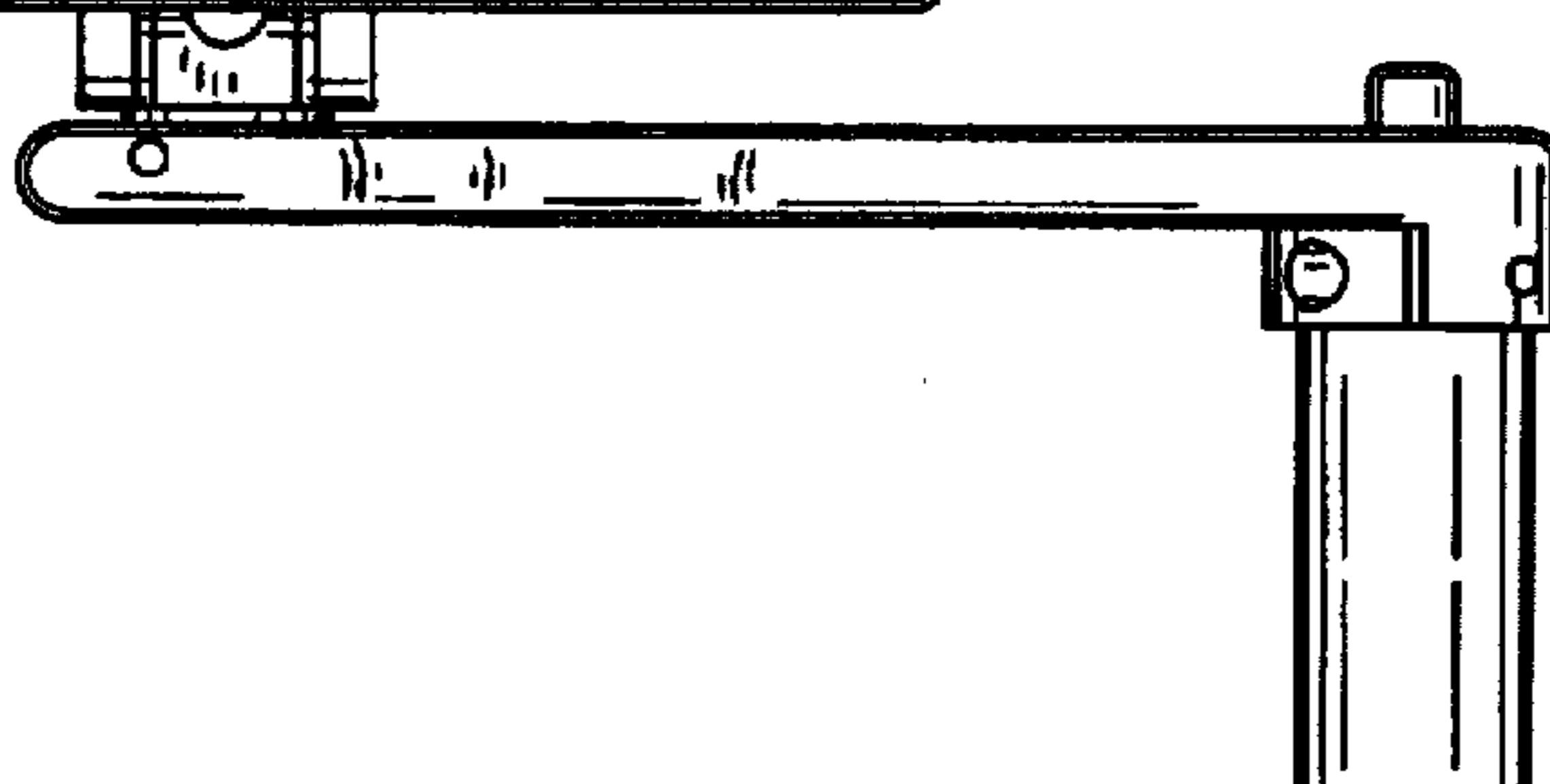
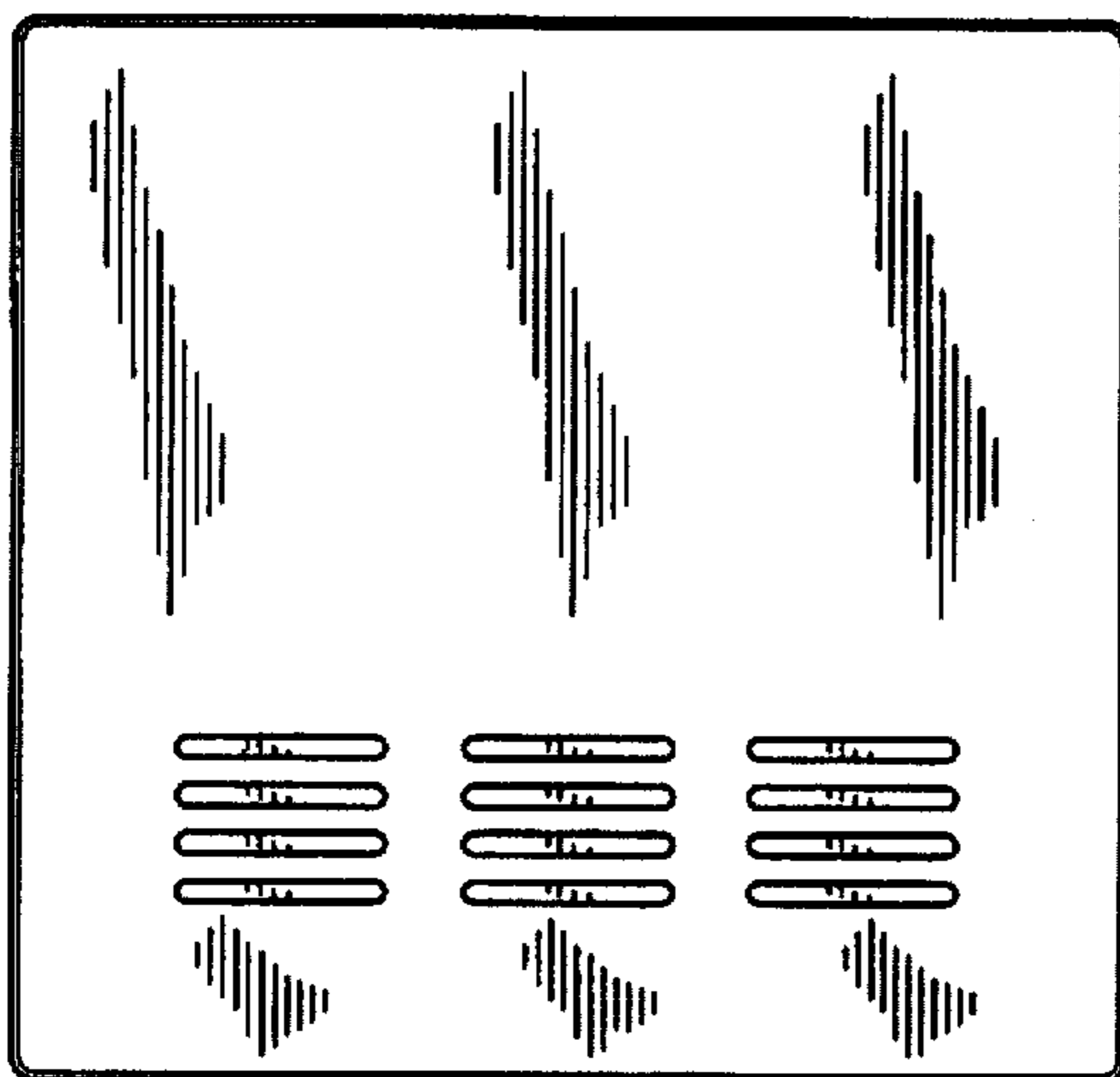
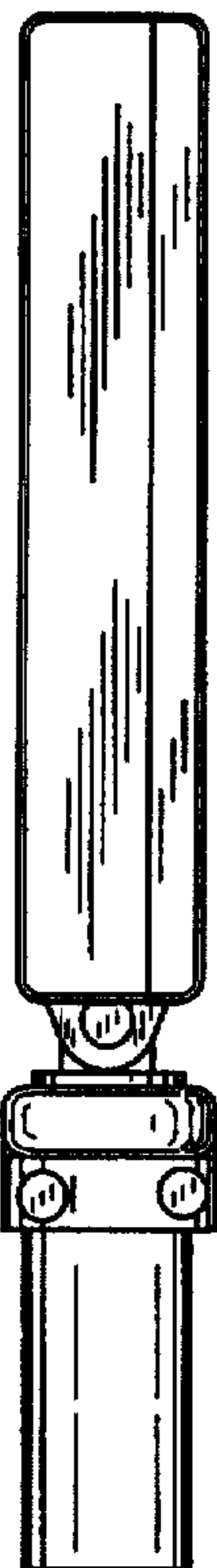


FIG. 5

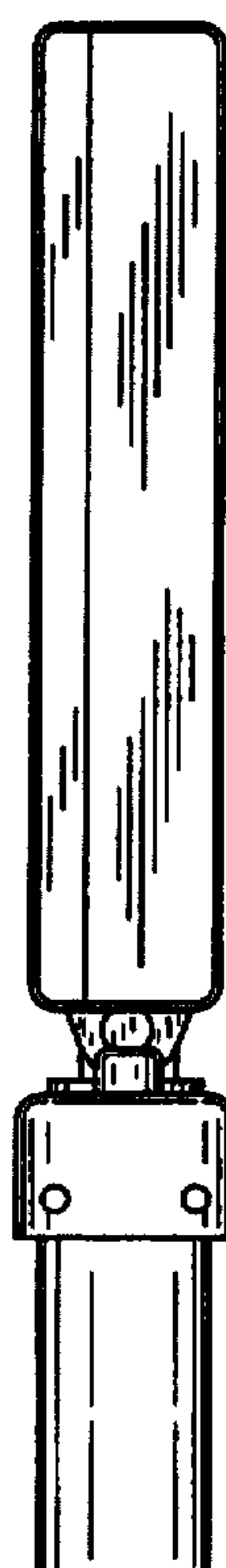


FIG. 7

