



US00D386156S

United States Patent [19]

MacMurtrie et al.

[11] Patent Number: **Des. 386,156**

[45] Date of Patent: ****Nov. 11, 1997**

[54] COMPUTER HOUSING

[75] Inventors: **Karen Marie MacMurtrie**, Austin, Tex.; **Kurtis Tamotsu Sakai**, Portland, Oreg.

[73] Assignee: **International Business Machines Corporation**, Armonk, N.Y.

[**] Term: **14 Years**

[21] Appl. No.: **61,652**

[22] Filed: **Oct. 28, 1996**

[51] LOC (6) Cl. **14-02**

[52] U.S. Cl. **D14/102**

[58] Field of Search D14/100, 102, D14/107-109; D13/162, 184, 199; D6/432, 436, 445, 448; 312/208.1; 360/99.12; 361/690-696

[56] References Cited

U.S. PATENT DOCUMENTS

D. 364,149 11/1995 Alfonso D14/102

Primary Examiner—Freda Nunn
Attorney, Agent, or Firm—Richard A. Henkler

[57] CLAIM

The ornamental design for the computer housing, as shown and described.

DESCRIPTION

FIG. 1 is a front right side and top perspective view of a computer housing showing our new design;

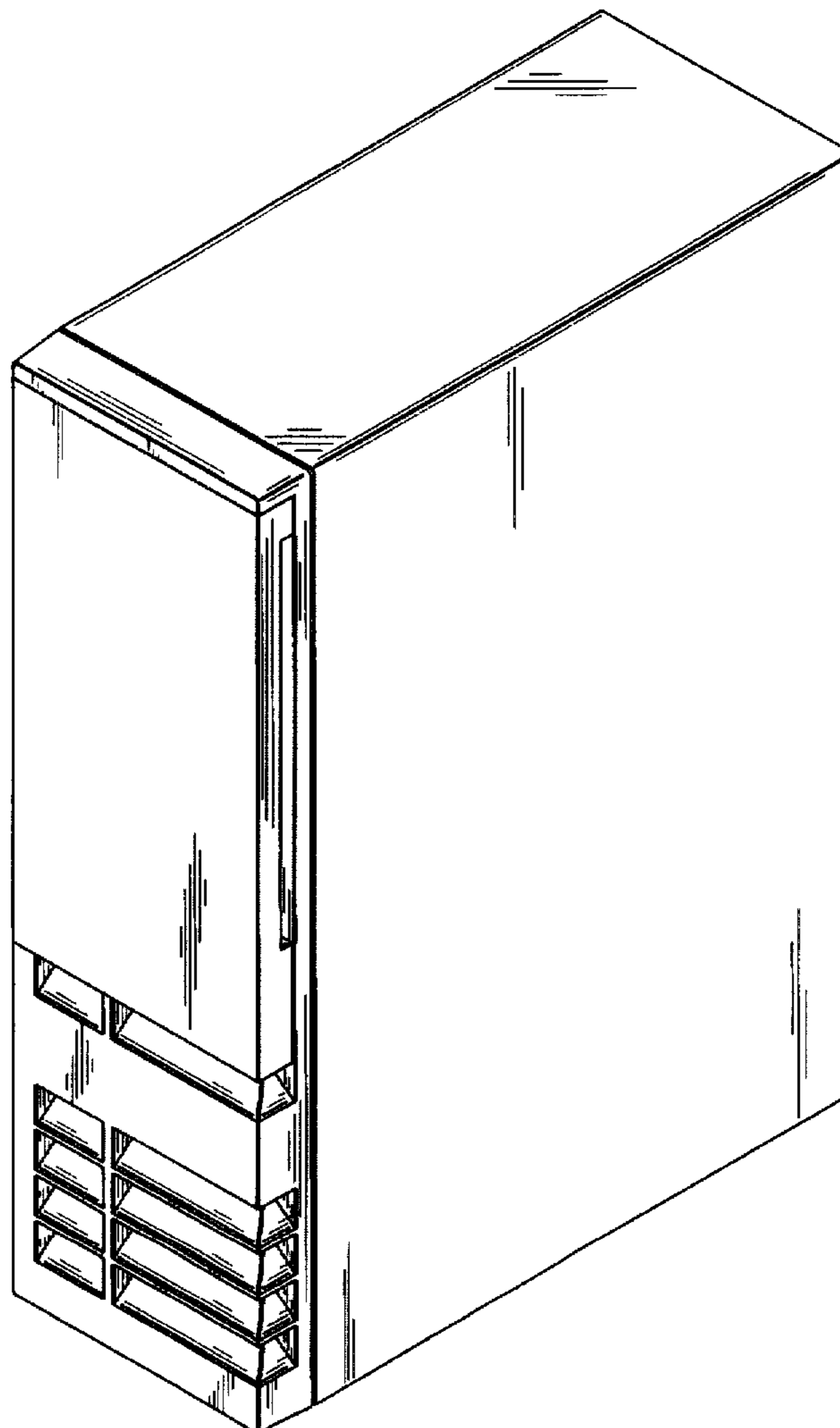
FIG. 2 is a front view thereof the rear view being flat and unornamented;

FIG. 3 is a right side view thereof;

FIG. 4 is a left side view thereof; and,

FIG. 5 is a top plan view thereof.

1 Claim, 5 Drawing Sheets



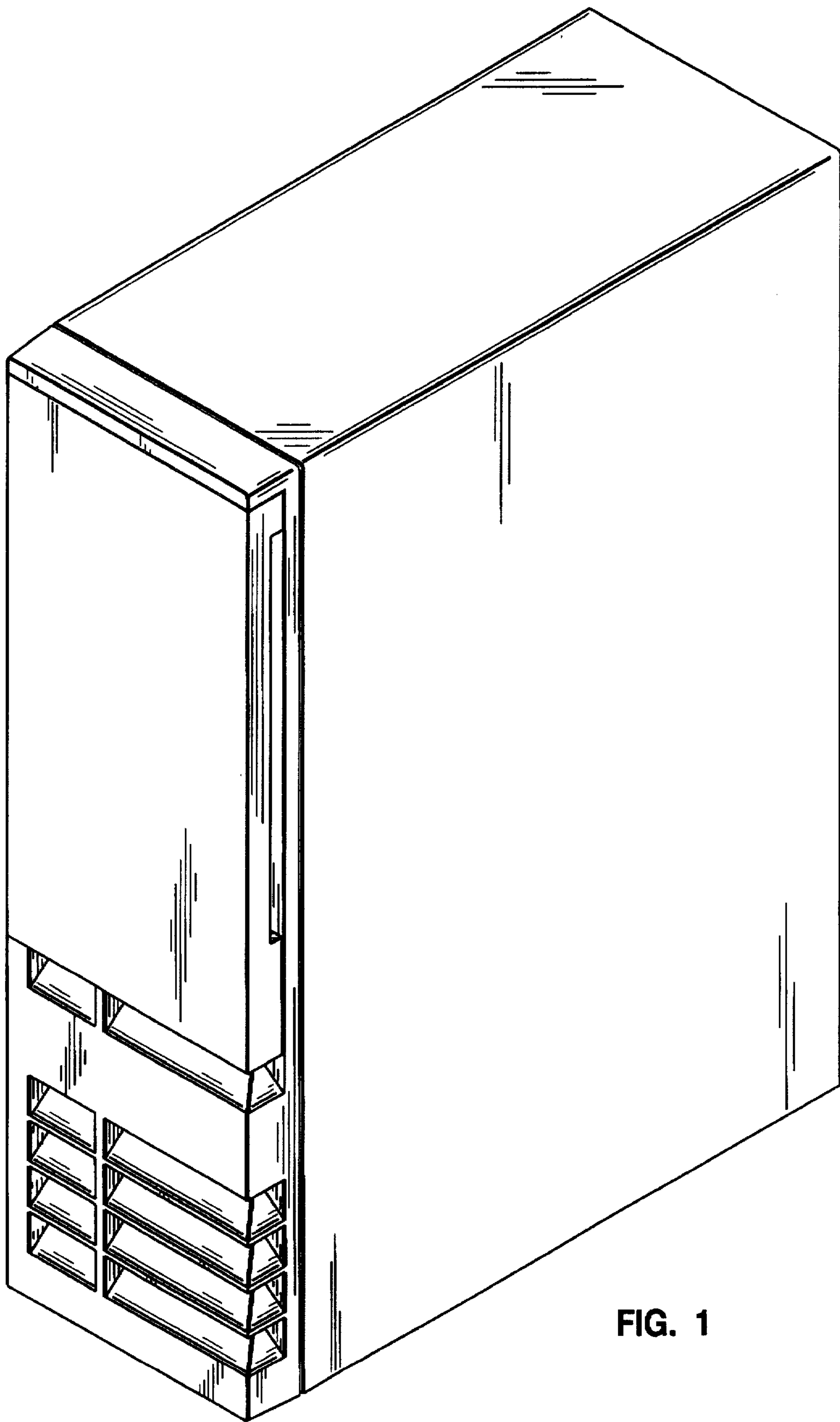


FIG. 1

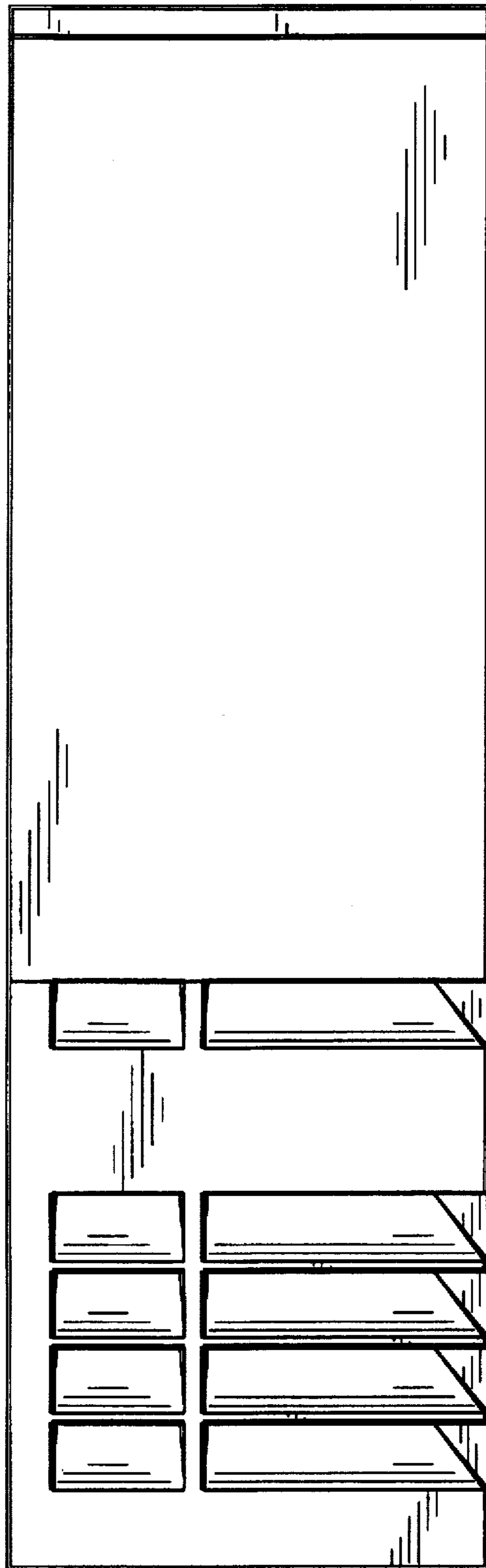


FIG. 2



FIG. 3



FIG. 4

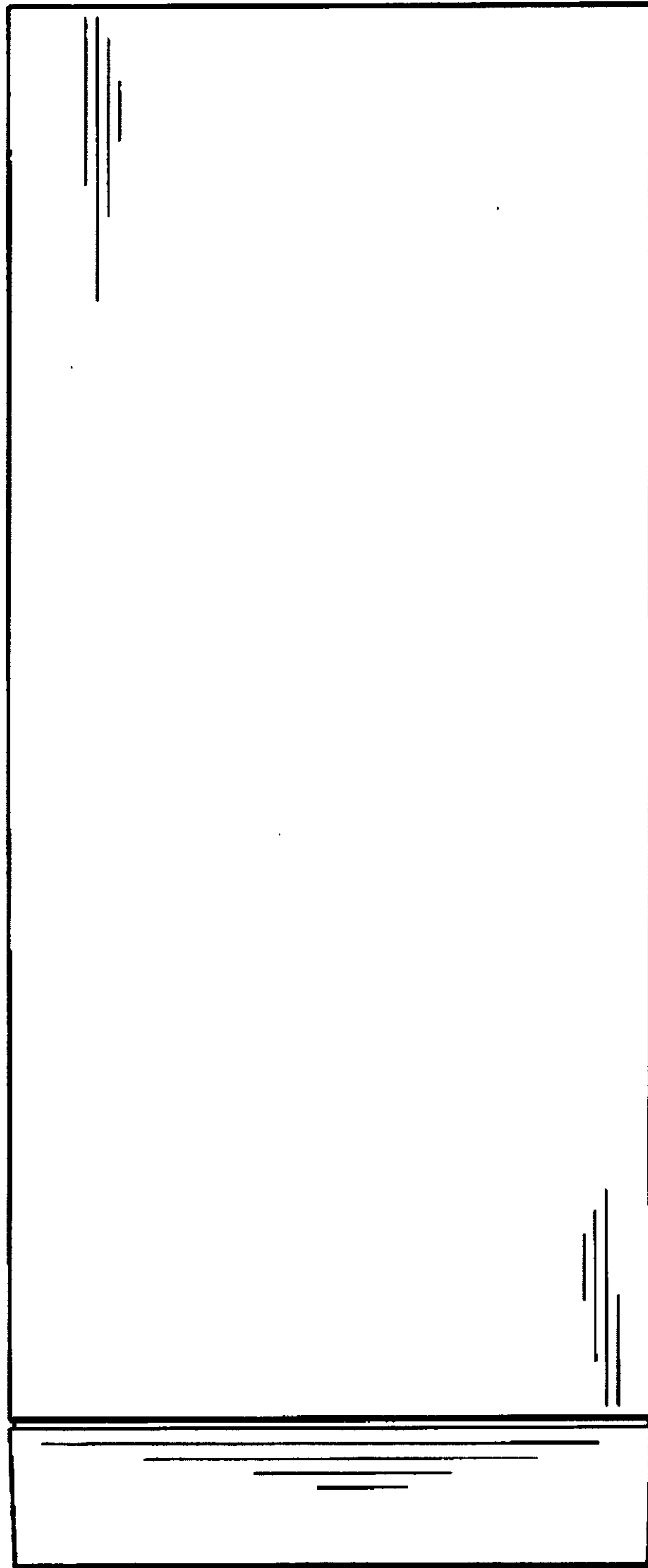


FIG. 5