



US00D386155S

United States Patent [19]

Coster

[11] **Patent Number: Des. 386,155**

[45] **Date of Patent: **Nov. 11, 1997**

[54] **COMPUTER ENCLOSURE**

[75] **Inventor: Daniel J. Coster, San Francisco, Calif.**

[73] **Assignee: Apple Computer, Inc., Cupertino, Calif.**

[**] **Term: 14 Years**

[21] **Appl. No.: 58,424**

[22] **Filed: Aug. 14, 1996**

[51] **LOC (6) Cl. 14-02**

[52] **U.S. Cl. D14/102**

[58] **Field of Search D14/100, 102, D14/107-109; D13/162, 184, 199; D6/432, 436, 445, 448; 312/208.1, 254, 292; 360/99.12; 361/694, 696, 683**

[56] **References Cited**

U.S. PATENT DOCUMENTS

- D. 350,337 9/1994 Riley et al. D14/102
- D. 370,467 6/1996 Barthelemy et al. D14/102

*Primary Examiner—Freda Nunn
Attorney, Agent, or Firm—David J. Larwood*

[57] **CLAIM**

The ornamental design for a computer enclosure, as shown and described.

DESCRIPTION

FIG. 1 is a front, top, right side perspective view of a computer enclosure showing my new design;

FIG. 2 is a rear, bottom, left side perspective view of FIG. 1;

FIG. 3 is a front elevational view of FIG. 1;

FIG. 4 is a rear elevational view of FIG. 1;

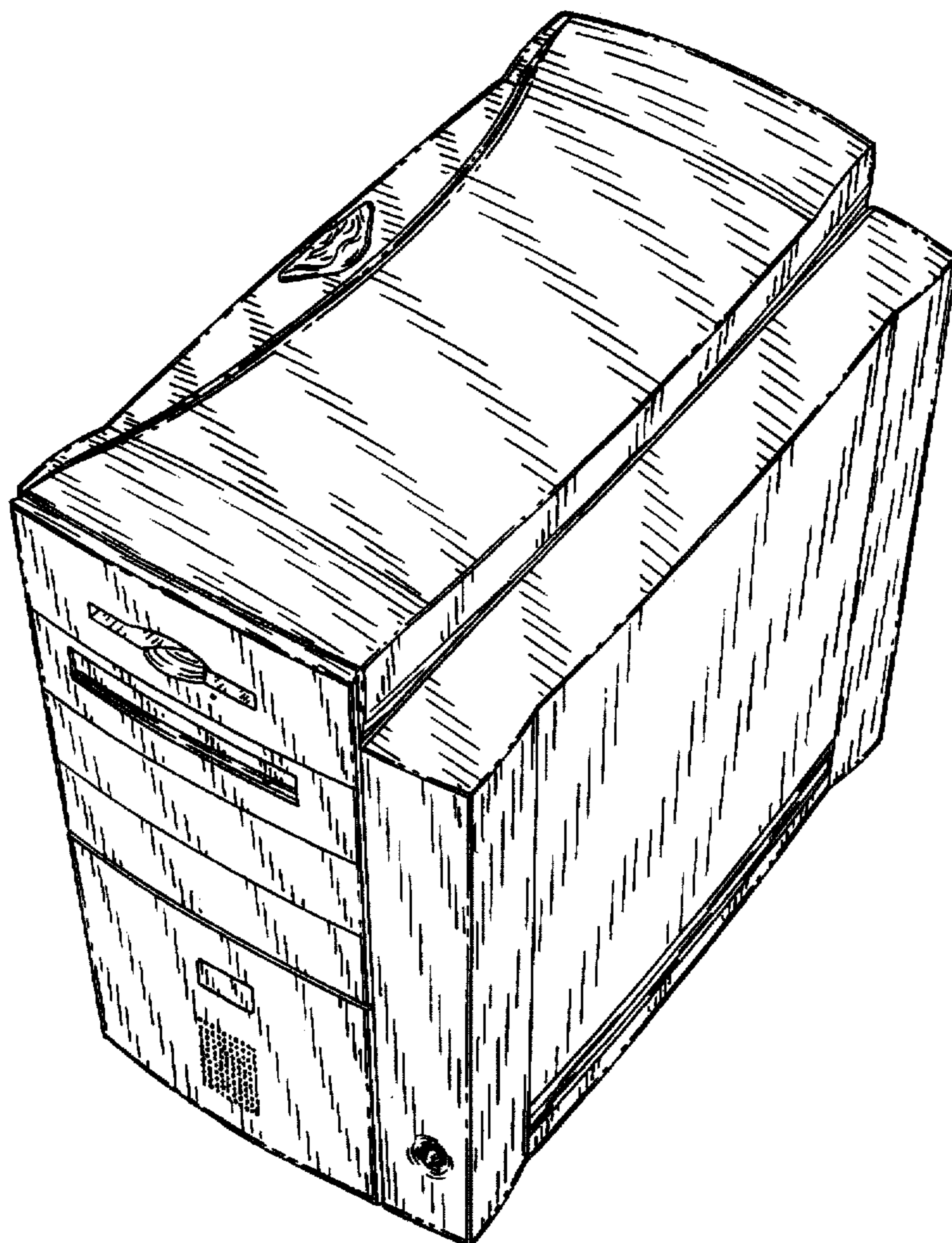
FIG. 5 is a left side elevational view of FIG. 1;

FIG. 6 is a right side elevational view of FIG. 1;

FIG. 7 is a top plan view of FIG. 1; and,

FIG. 8 is a bottom plan view of FIG. 1.

1 Claim, 7 Drawing Sheets



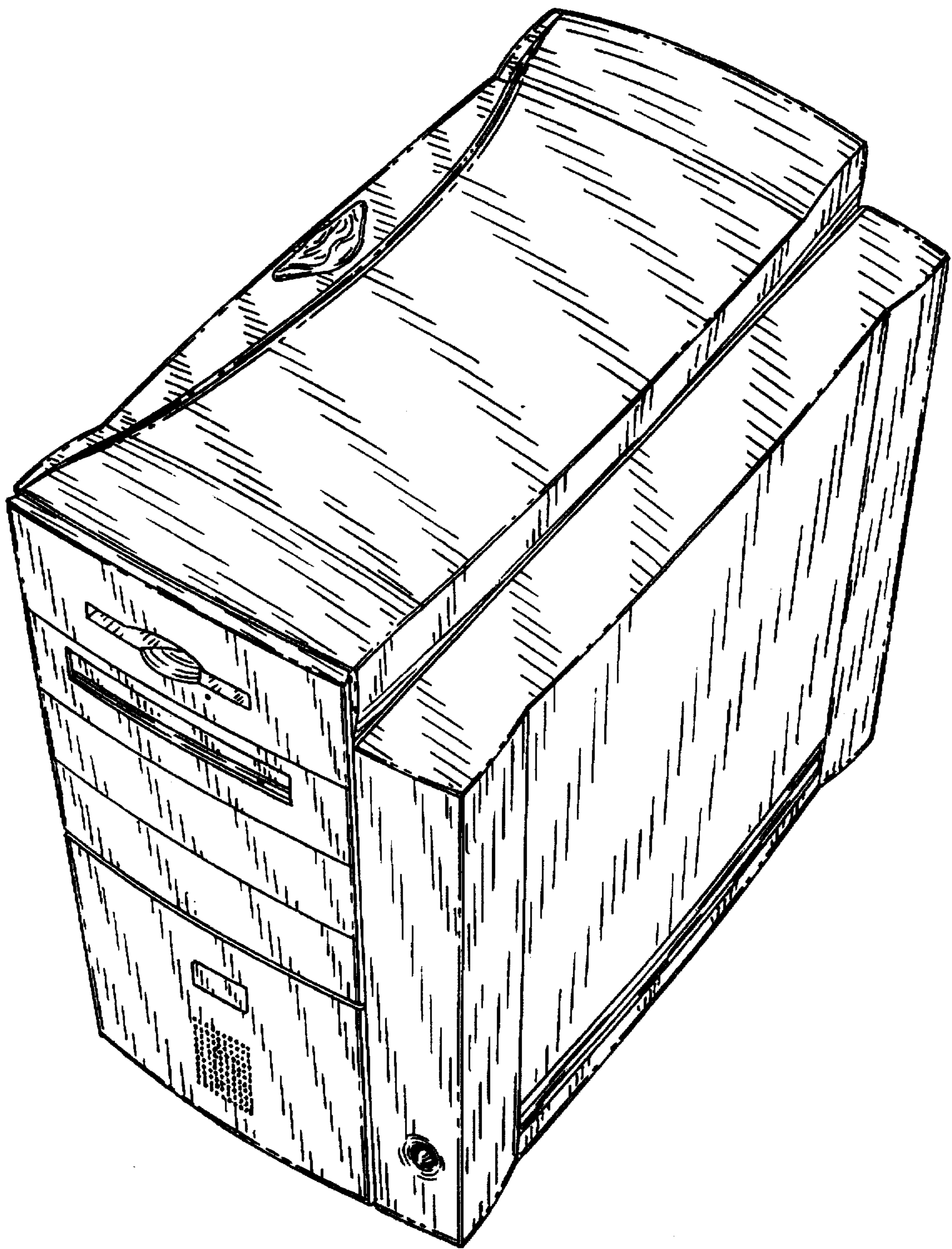


FIG. 1

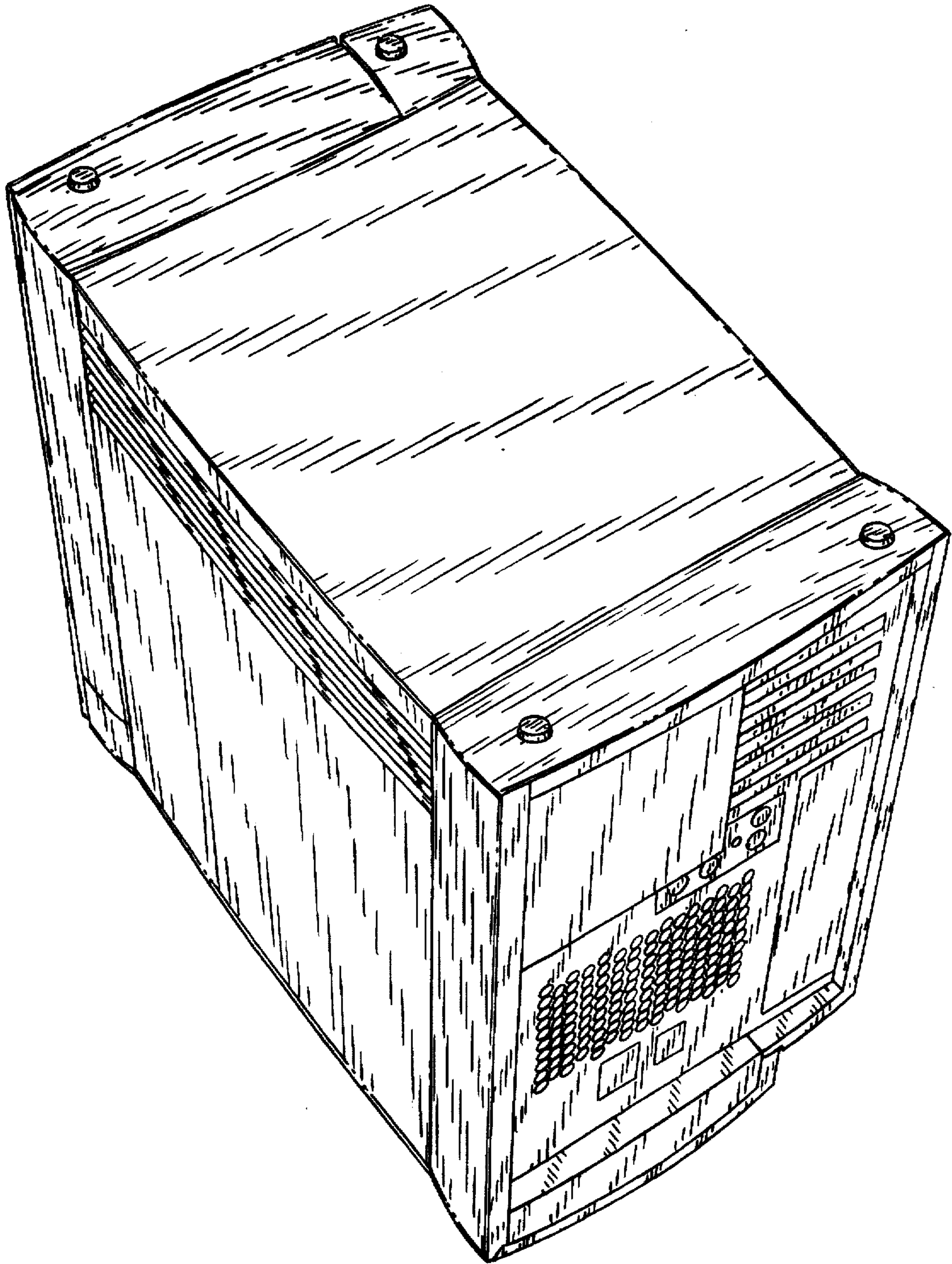


FIG. 2

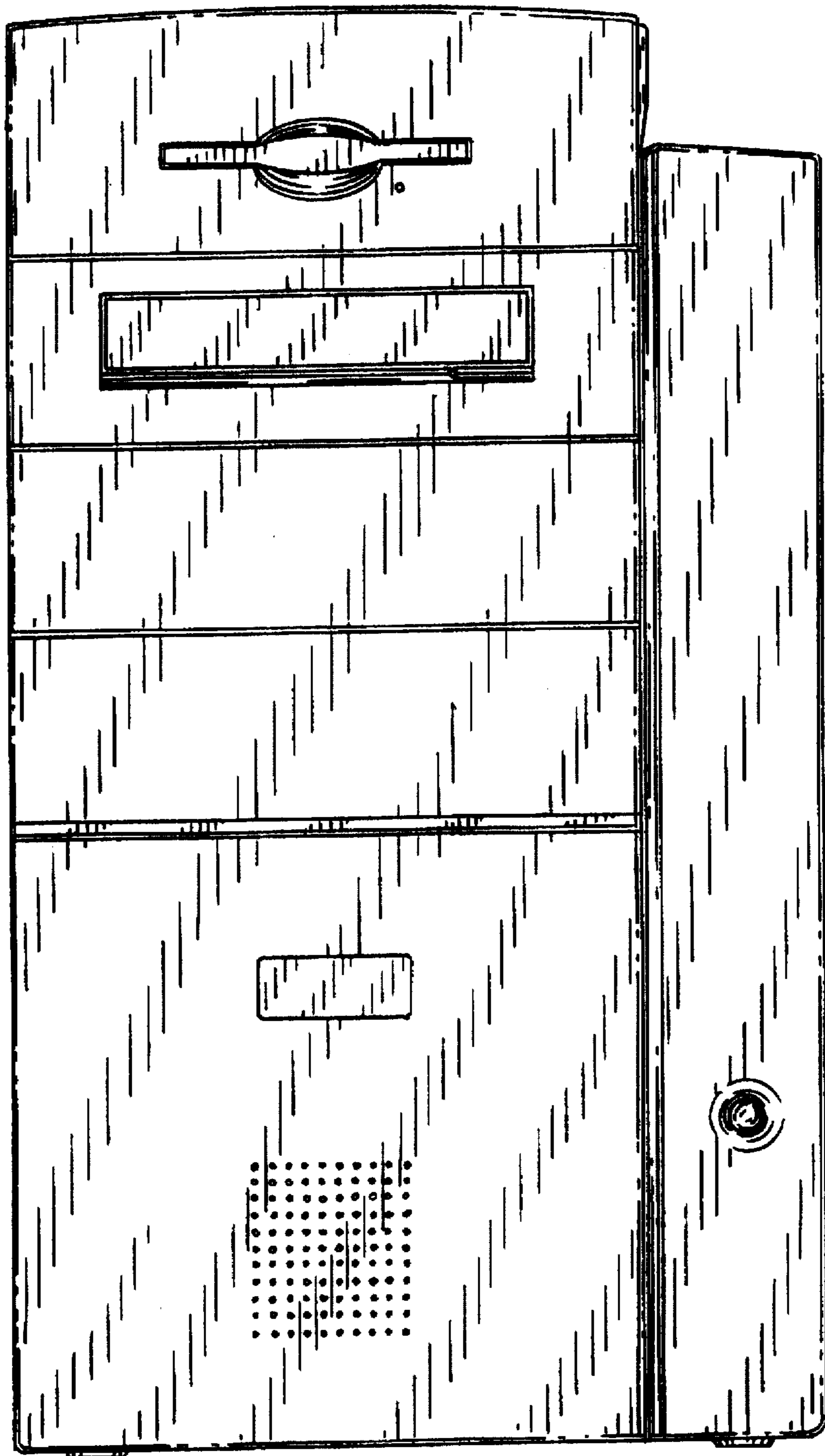


FIG. 3

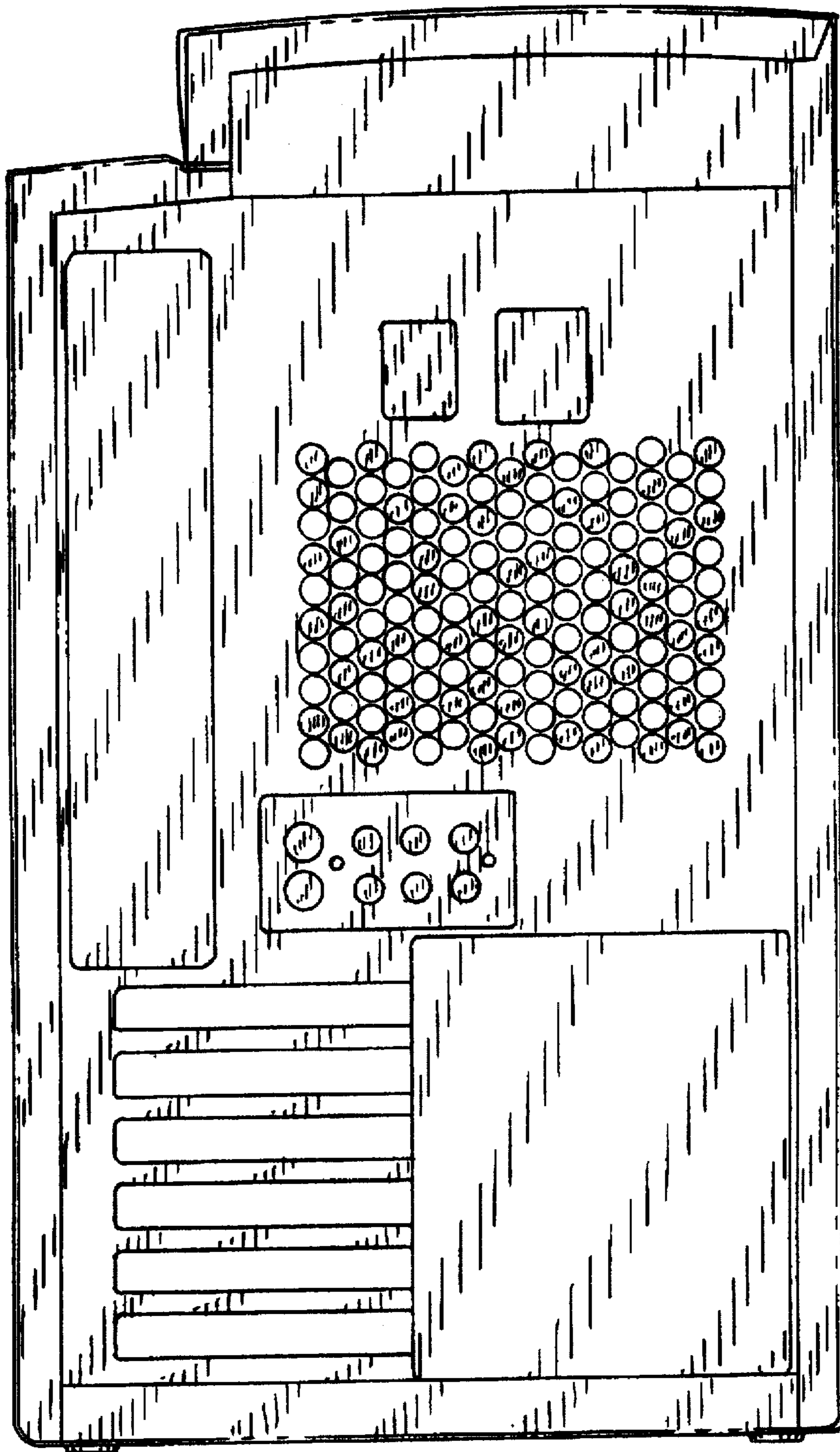


FIG 4

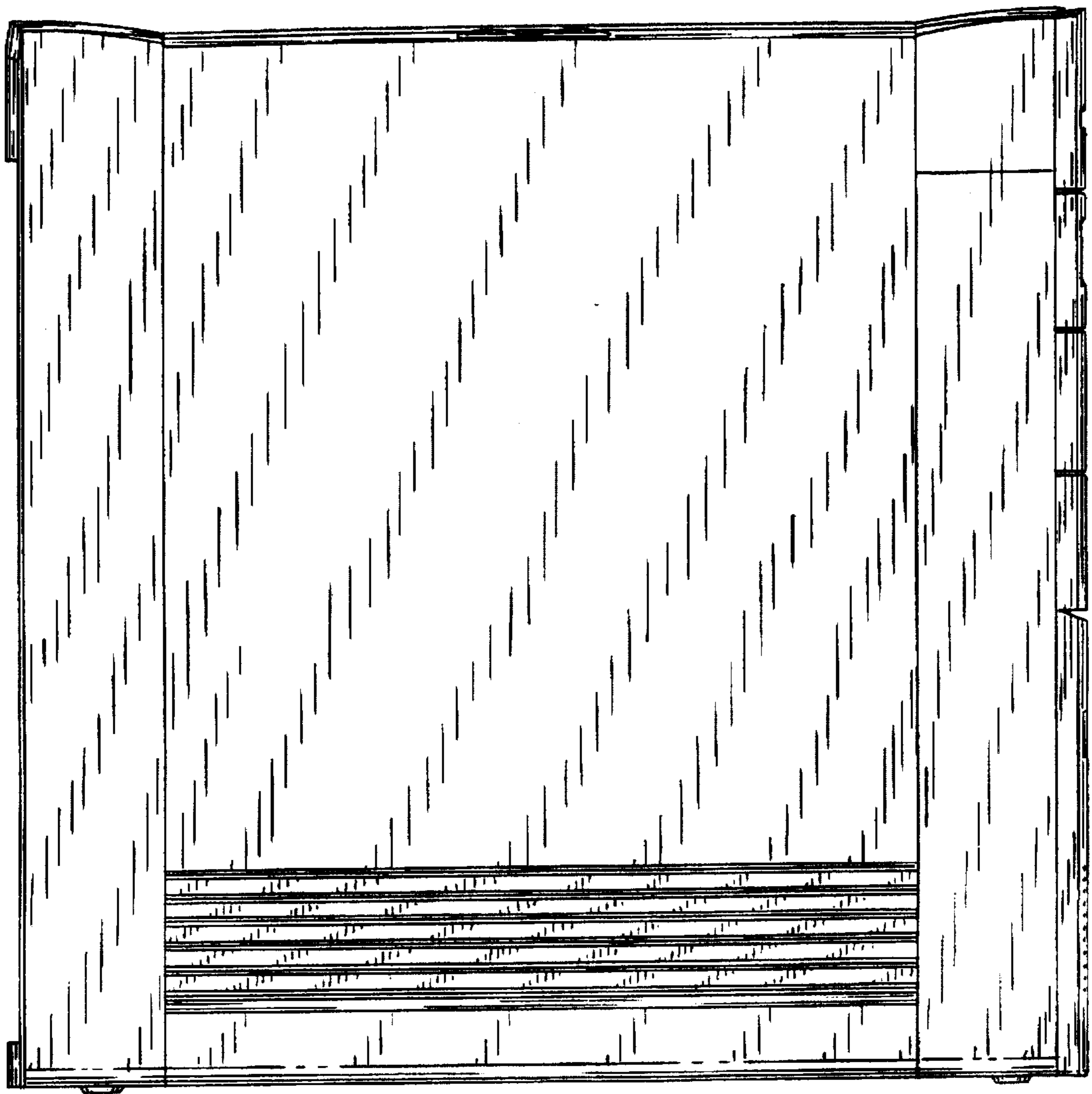


FIG. 5

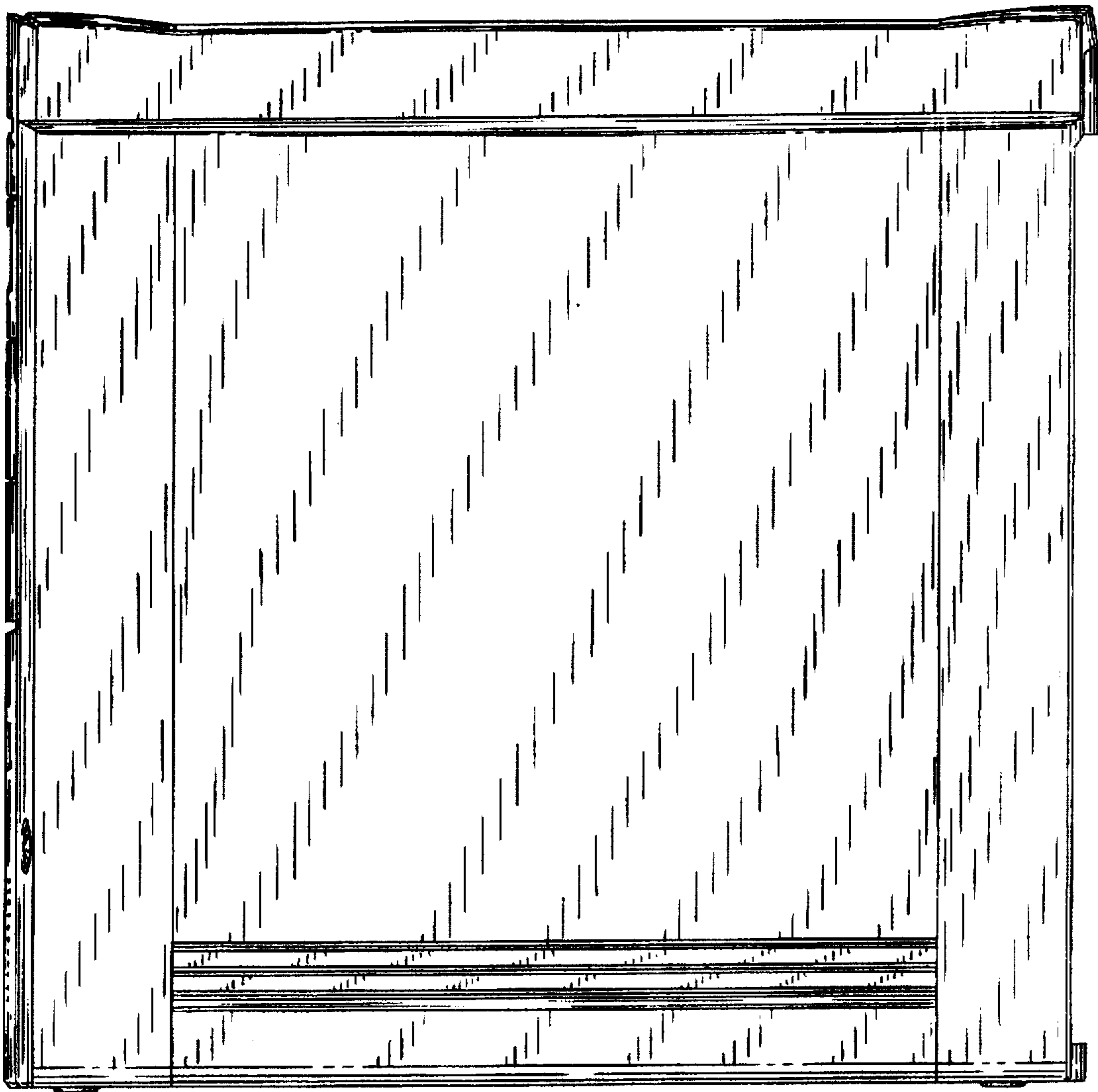


FIG. 6

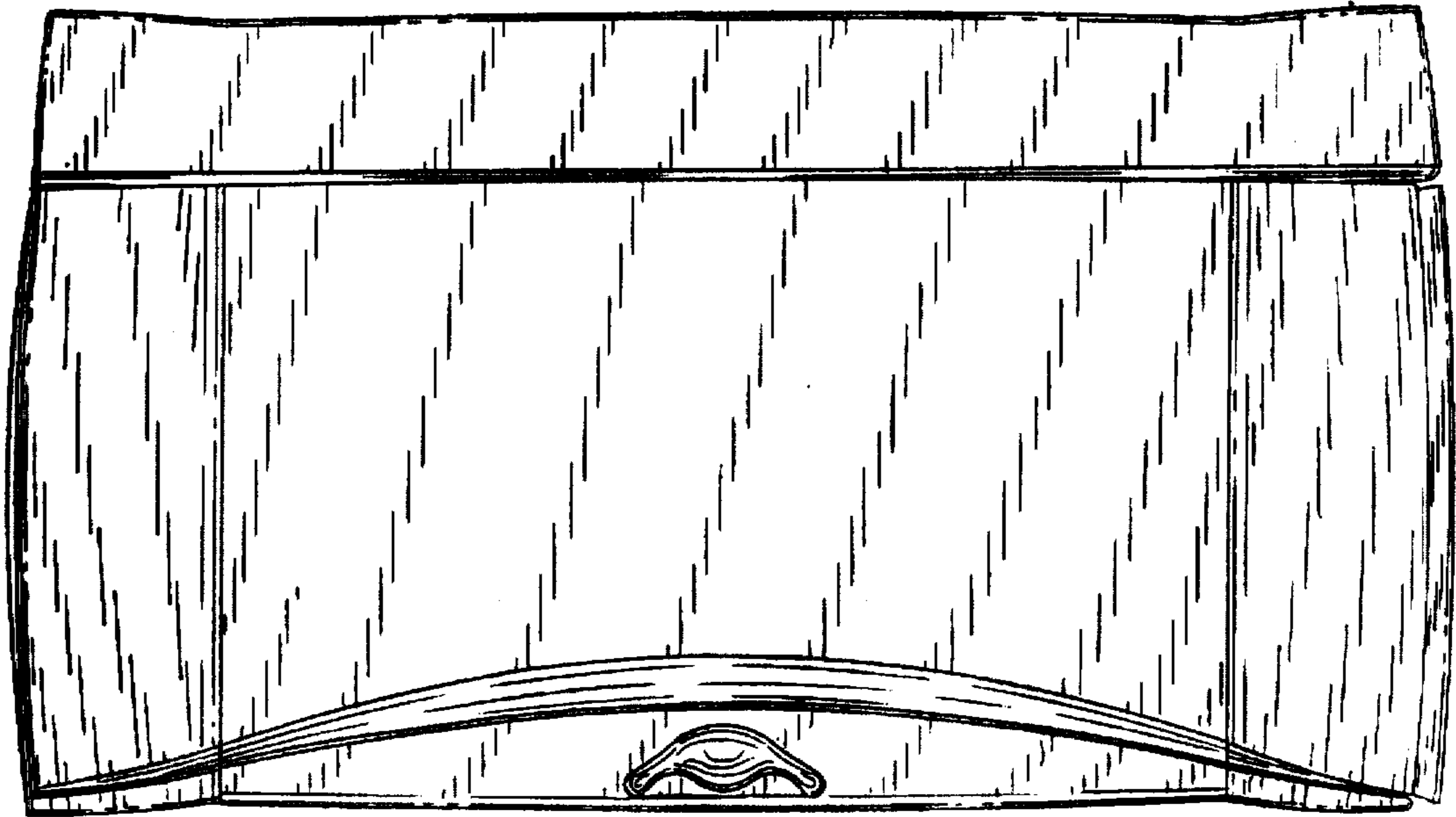


FIG. 7

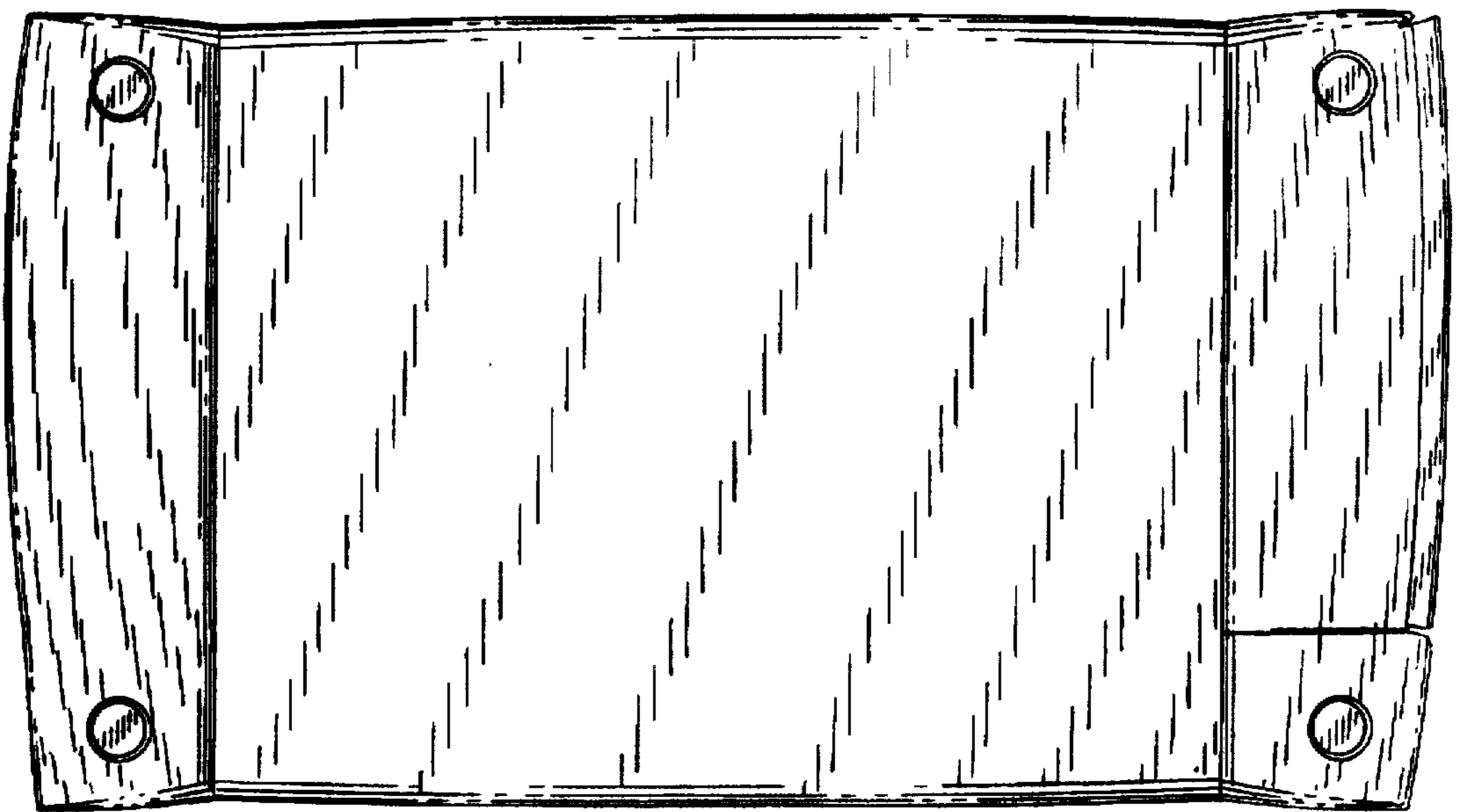


FIG. 8