



US00D386154S

United States Patent [19]
Lee

[11] **Patent Number:** **Des. 386,154**
[45] **Date of Patent:** ****Nov. 11, 1997**

[54] **HARD DISK DRIVE HOUSING**

[76] **Inventor:** **Chi Hsiu Lee, P.O. Box 82-144, Taipei, Taiwan**

[**] **Term:** **14 Years**

[21] **Appl. No.:** **36,809**

[22] **Filed:** **Mar. 28, 1995**

[51] **LOC (6) Cl.** **14-02**

[52] **U.S. Cl.** **D14/102; D14/109**

[58] **Field of Search** **D14/100, 102, D14/107-109; D13/162, 184, 199; D6/432, 436, 445, 448; 360/97.01, 97.04, 98.01, 99.01, 99.12; 361/694**

[56] **References Cited**

U.S. PATENT DOCUMENTS

- D. 350,337 9/1994 Riley et al. D14/102
- D. 356,302 3/1995 Studebaker et al. D14/109 X

OTHER PUBLICATIONS

Ricoh Corp. 1993 3.5 inch upright optical disk drive.

Primary Examiner—Freda Nunn
Attorney, Agent, or Firm—Alfred Lei

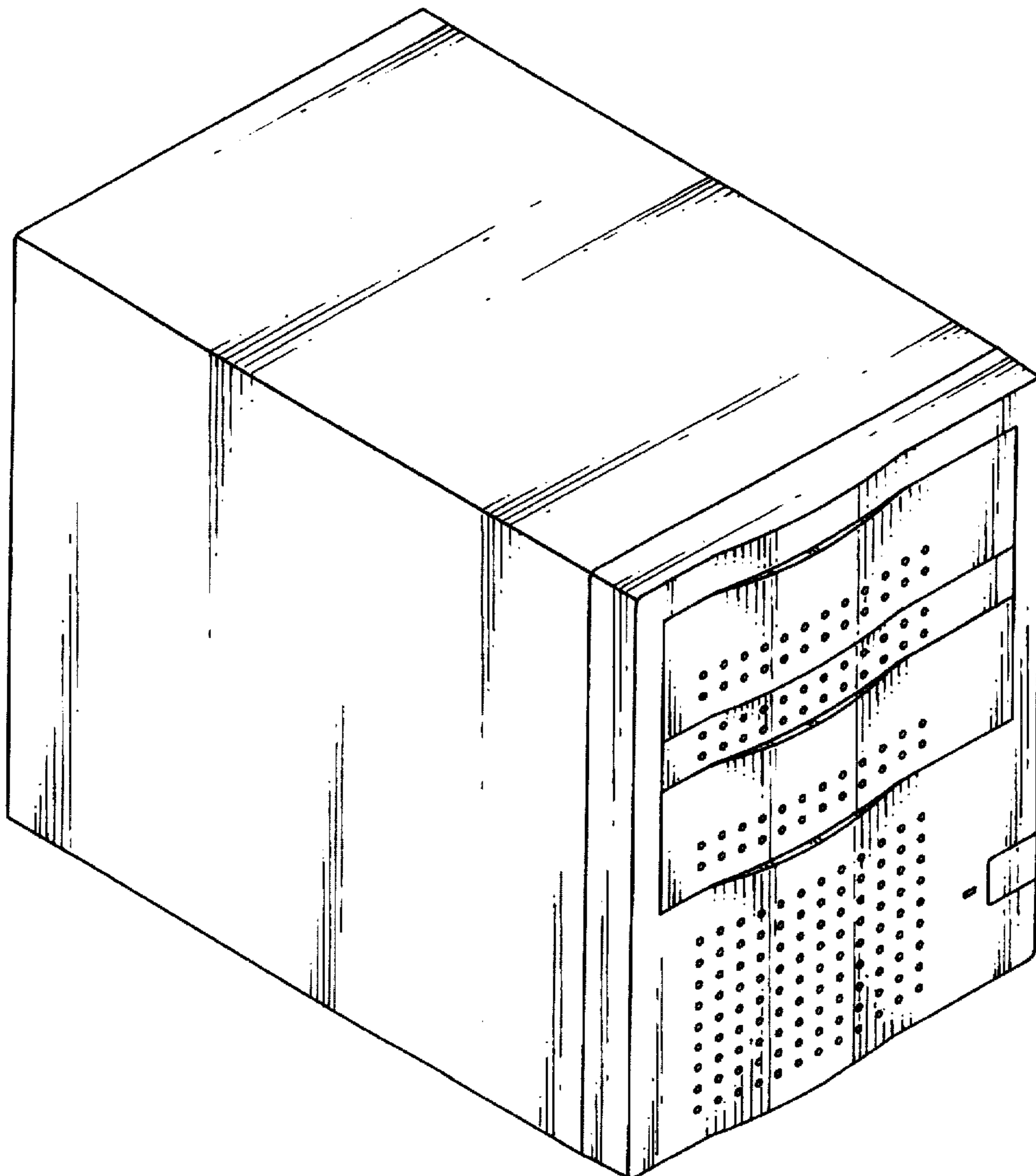
[57] **CLAIM**

The ornamental design for a hard disk drive housing, as shown and described.

DESCRIPTION

FIG. 1 is a perspective view of a hard disk drive housing showing my new design;
FIG. 2 is a front view thereof;
FIG. 3 is a rear view thereof;
FIG. 4 is a left side elevational view thereof;
FIG. 5 is a right side elevational view thereof;
FIG. 6 is a top plan view thereof; and,
FIG. 7 is a bottom plan view thereof.

1 Claim, 4 Drawing Sheets



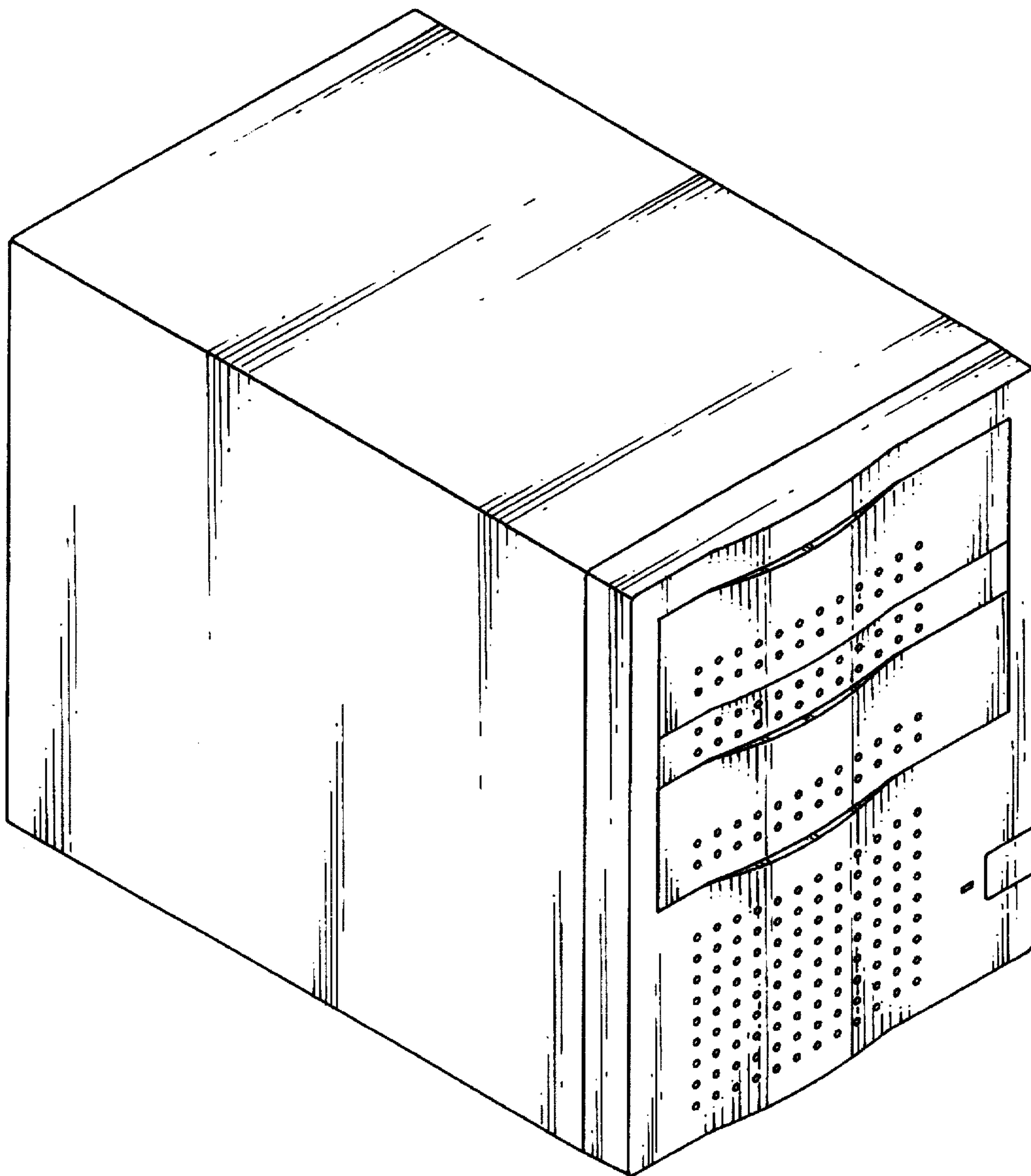


FIG. 1

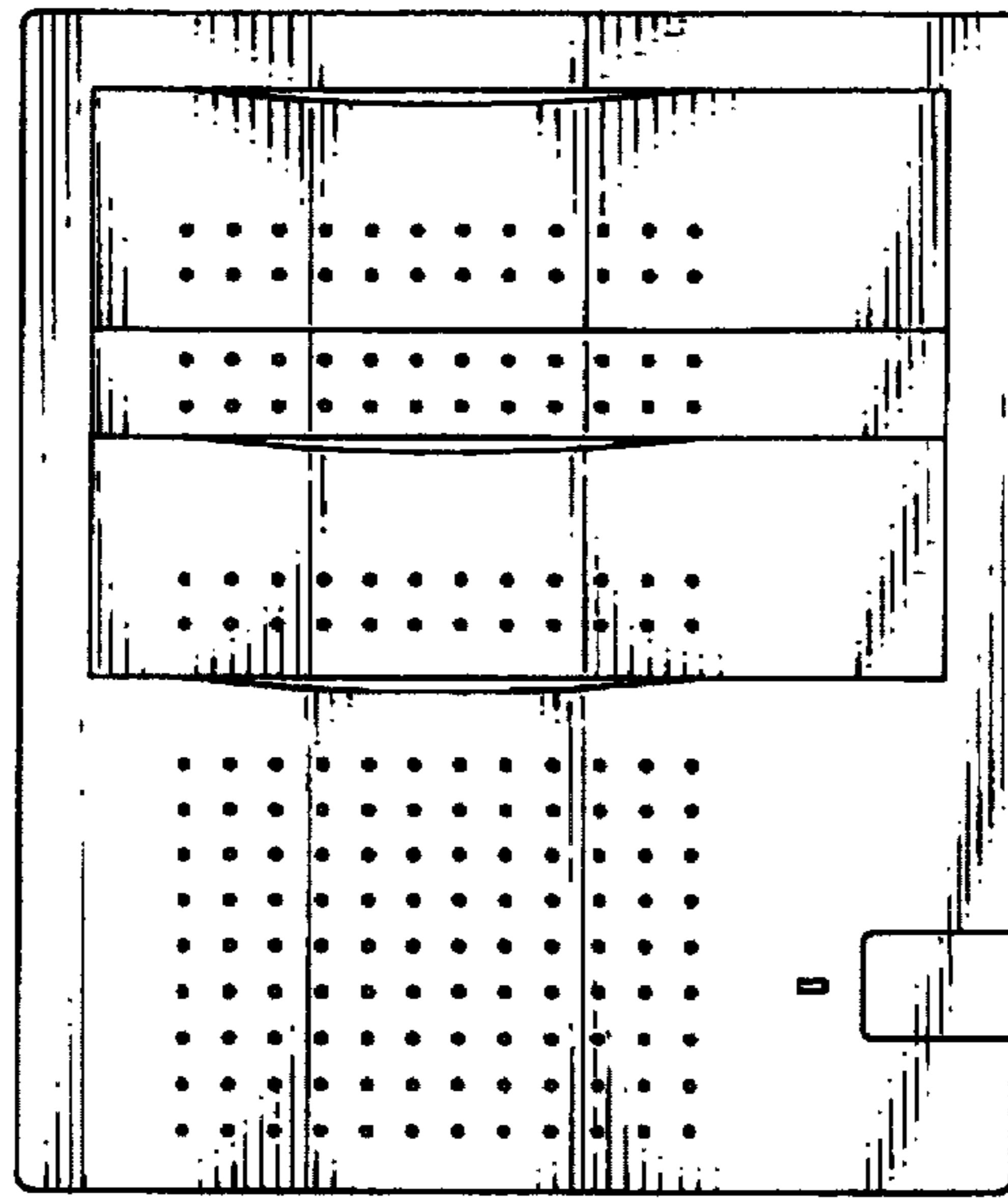


FIG. 2

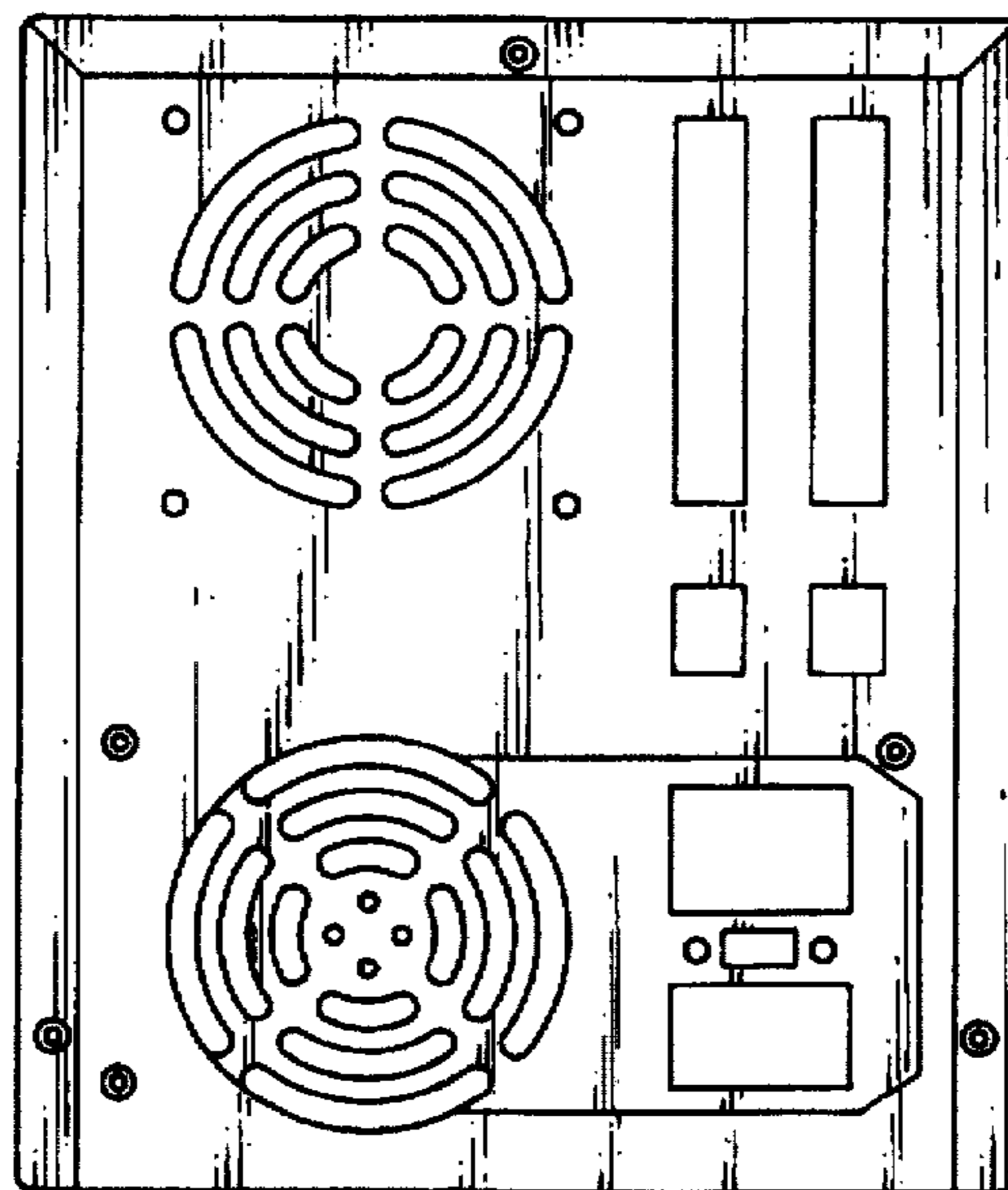


FIG. 3

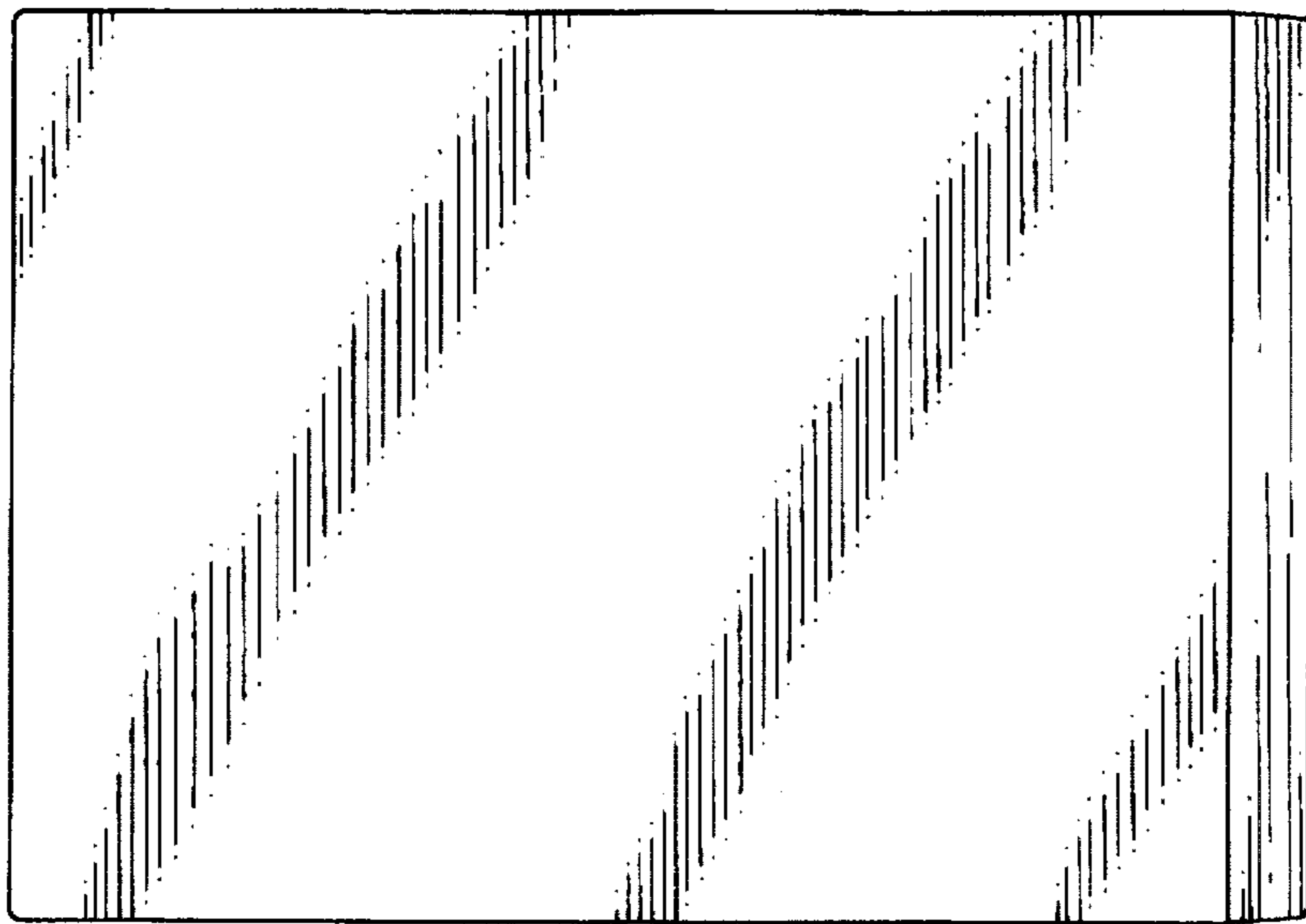


FIG. 4

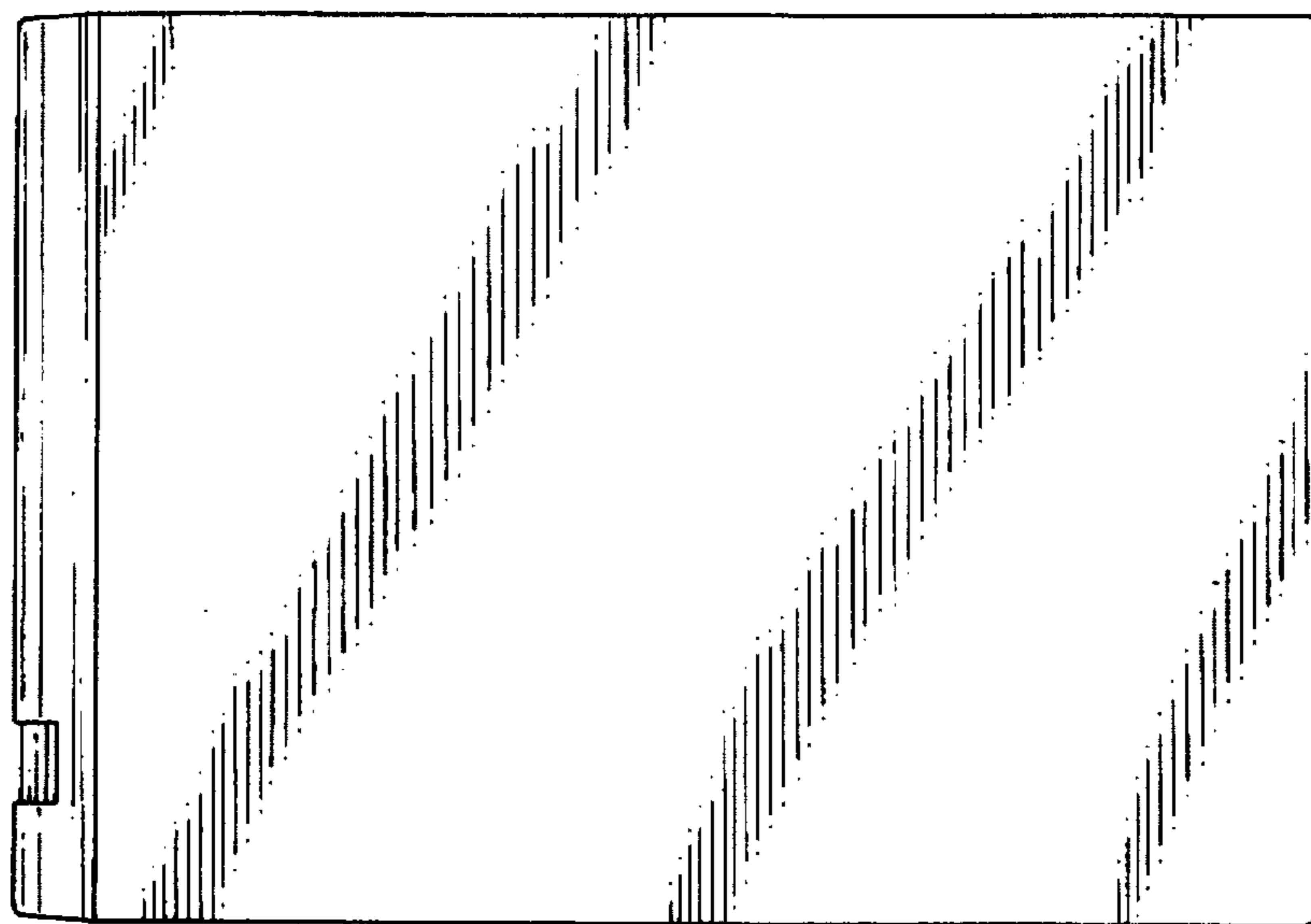


FIG. 5

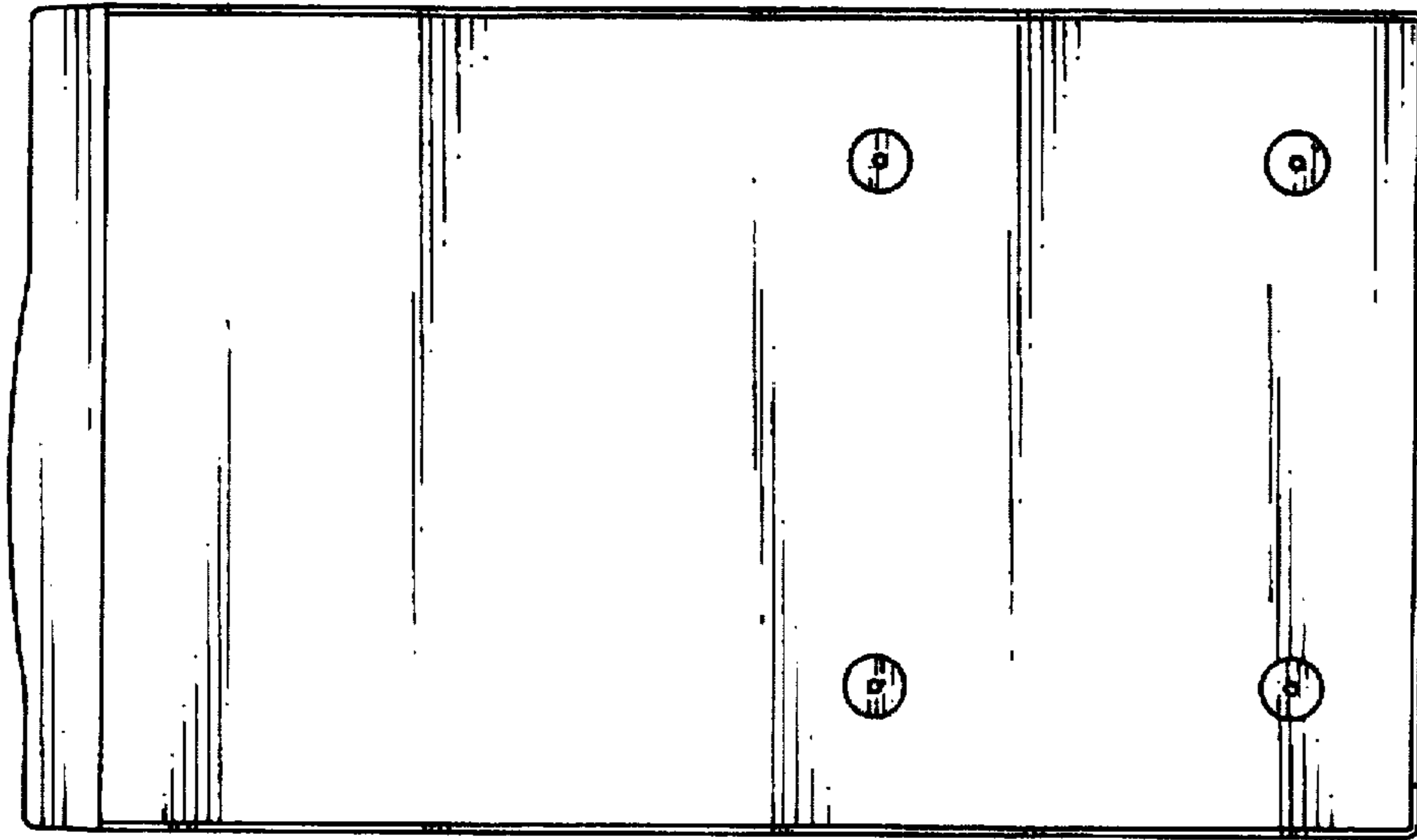


FIG. 7

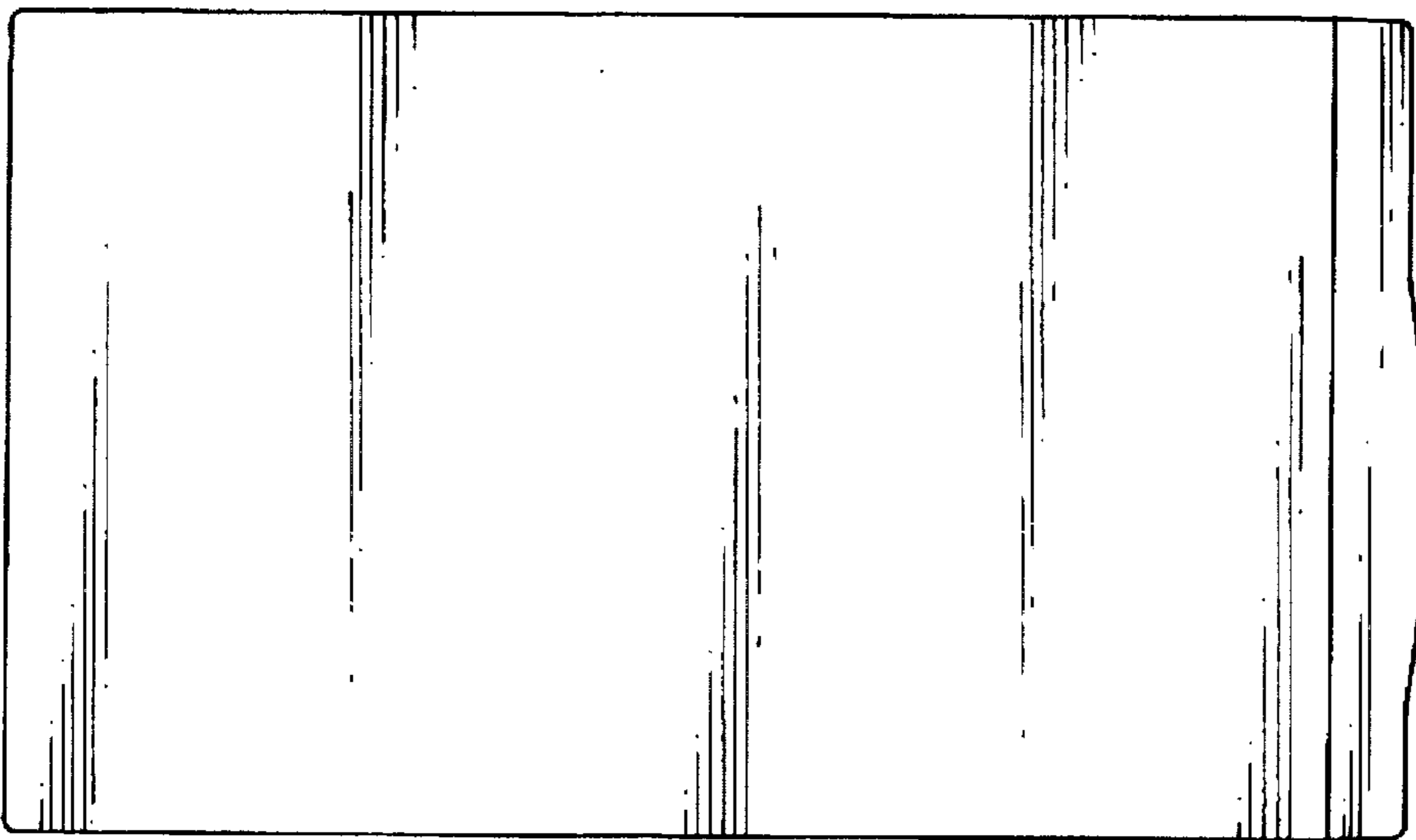


FIG. 6