



US00D386152S

United States Patent [19]
Warneke

[11] **Patent Number:** **Des. 386,152**
[45] **Date of Patent:** ****Nov. 11, 1997**

[54] **HAND-HELD SURVEY DATA COLLECTOR**

[75] **Inventor:** **Mark Warneke, Sunnyvale, Calif.**

[73] **Assignee:** **Trimble Navigation Limited, Sunnyvale, Calif.**

[**] **Term:** **14 Years**

[21] **Appl. No.:** **54,976**

[22] **Filed:** **May 28, 1996**

[51] **LOC (6) Cl.** **14-02**

[52] **U.S. Cl.** **D14/100; D18/7**

[58] **Field of Search** **D14/100, 106, D14/105, 115; D18/1, 7, 2; 178/18, 19; 235/145 A, 145 R; 341/22, 23; 345/156, 168, 169, 172, 173; 364/708.1**

[56] **References Cited**

U.S. PATENT DOCUMENTS

D. 283,711	5/1986	Deura et al.	D14/100
D. 292,401	10/1987	Lee et al.	D14/100 X
D. 302,265	7/1989	Siegner et al.	D14/100
D. 340,034	10/1993	Hofstetter et al.	D14/116 X
D. 350,119	8/1994	Kumar et al.	D14/116 X

OTHER PUBLICATIONS

Turbo-SII, Dual-Frequency, Hand-held GPS Receiver, Topcon America Corporation, Paramus, New Jersey.
Husky FS/2, Hand-Held GPS Receiver, Husky Computers, Inc. Clearwater, Florida.

Primary Examiner—Freda Nunn
Attorney, Agent, or Firm—Thomas E. Schatzel; Law Offices of Thomas E. Schatzel A Prof. Corporation

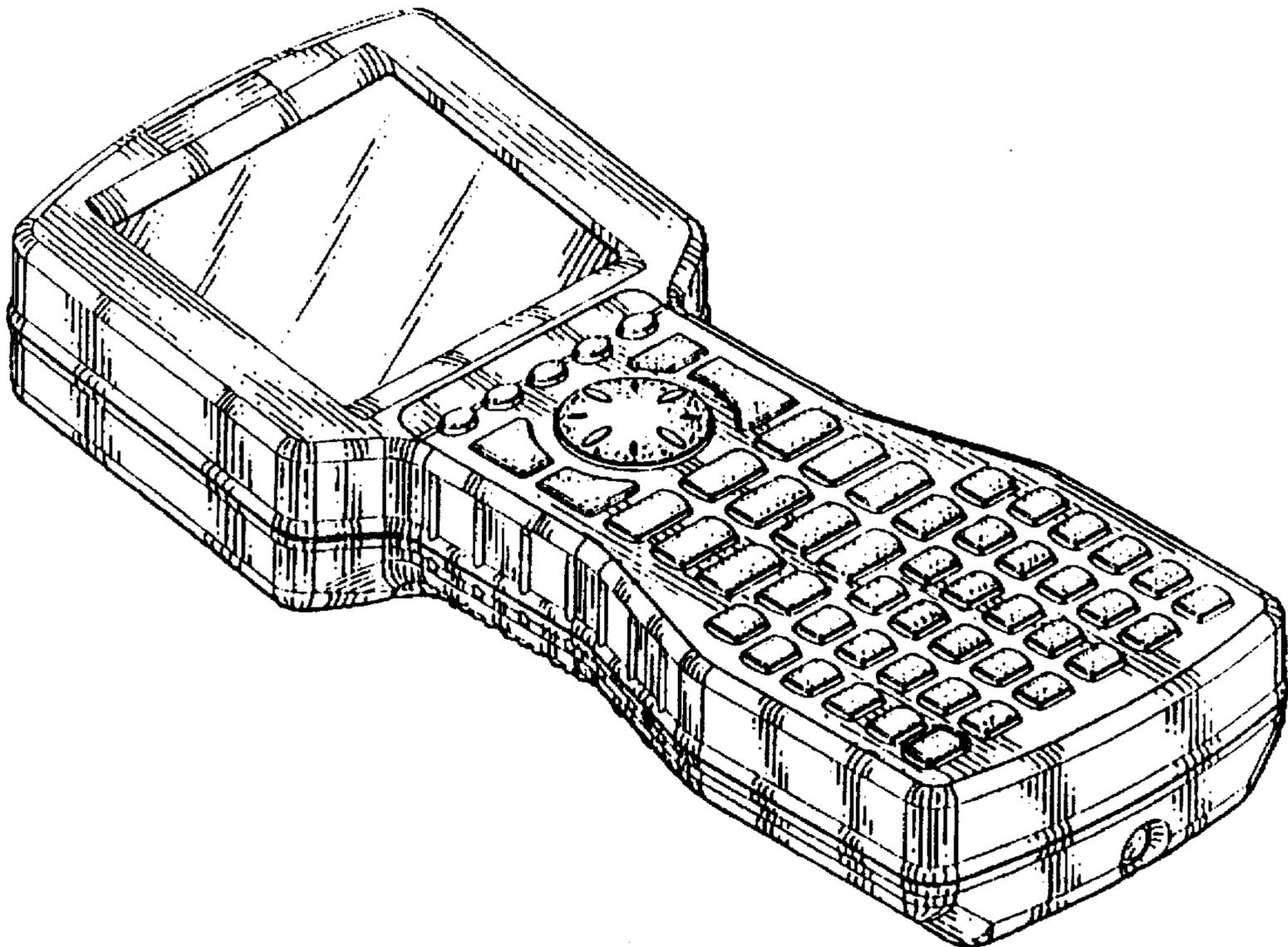
[57] **CLAIM**

The ornamental design for a hand-held survey data collector, as shown and described.

DESCRIPTION

FIG. 1 is a top, front and left side perspective view of a hand-held survey data collector showing my new design; FIG. 2 is a rear elevational view thereof; FIG. 3 is a left side elevational view thereof; FIG. 4 is a right side elevational view thereof; FIG. 5 is a front elevational view thereof; FIG. 6 is a bottom plan view thereof; and, FIG. 7 is a top plan view thereof.

1 Claim, 1 Drawing Sheet



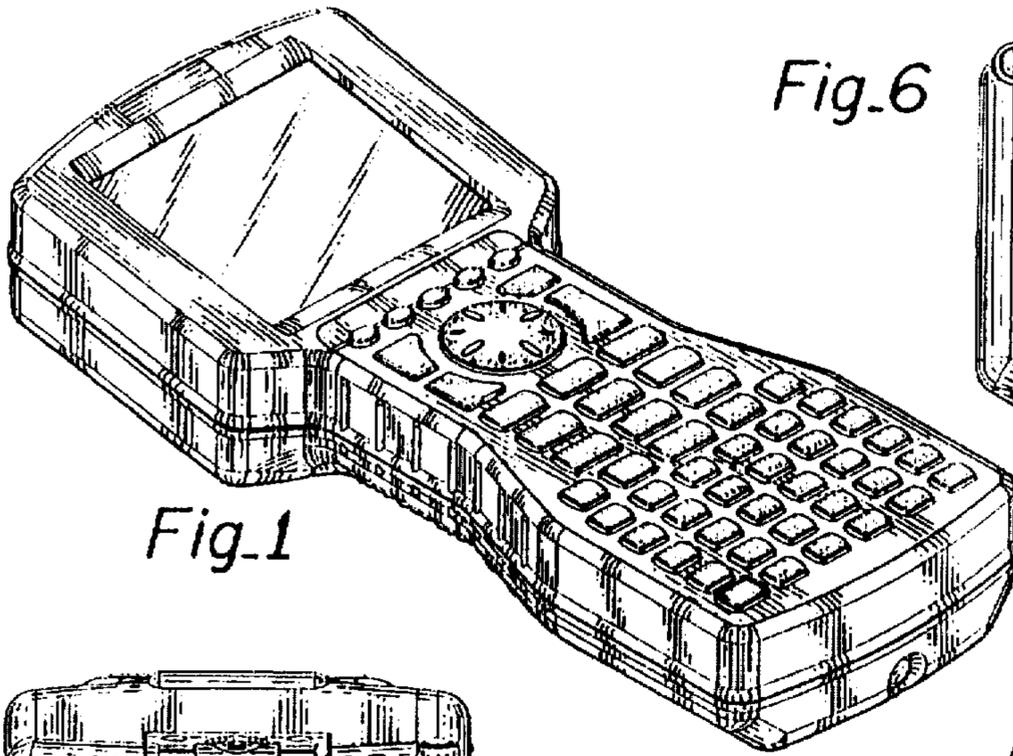


Fig. 1

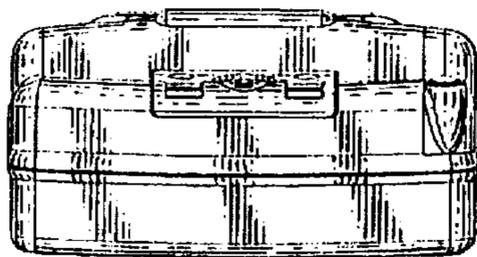


Fig. 2

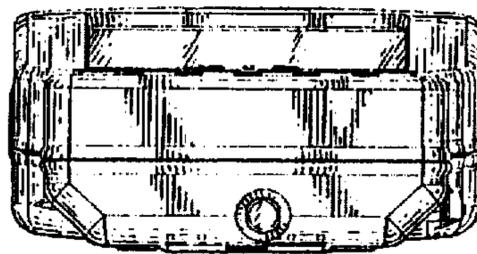


Fig. 5

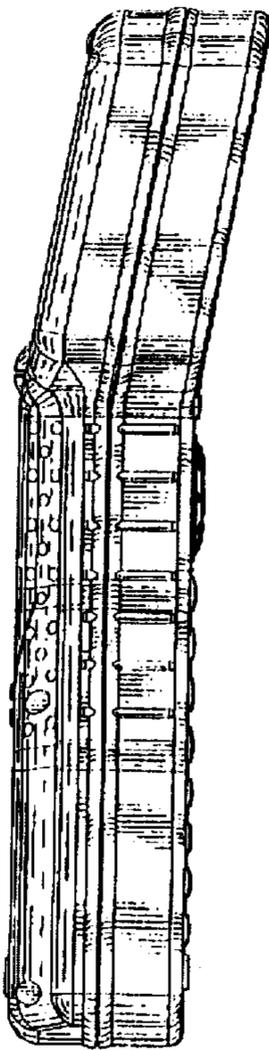


Fig. 3

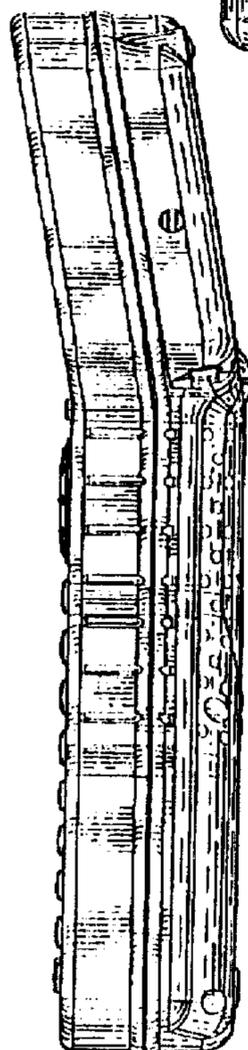


Fig. 4

Fig. 6

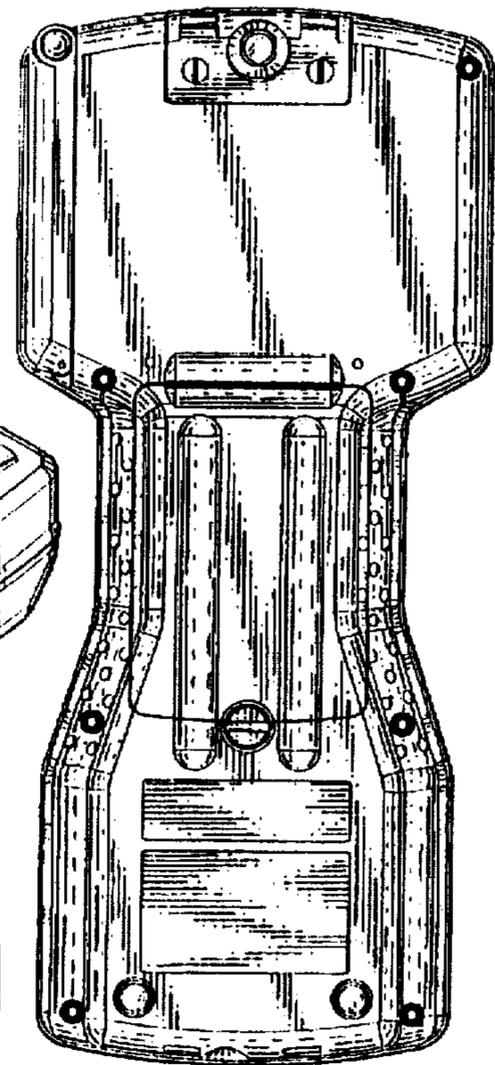


Fig. 7

