



US00D386150S

United States Patent [19]

[11] Patent Number: **Des. 386,150**

Zinnert

[45] Date of Patent: ****Nov. 11, 1997**

[54] **ELECTRICAL CONNECTION AND SWITCH BOX COVER**

[76] Inventor: **Alan P. Zinnert**, 319 Manley Rd., Ripon, Calif. 95366

[**] Term: **14 Years**

[21] Appl. No.: **50,861**

[22] Filed: **Feb. 28, 1996**

[51] LOC (6) Cl. **13-03**

[52] U.S. Cl. **D13/177**

[58] Field of Search **D13/156, 177, D13/158; 174/66-67, 55**

[56] **References Cited**

U.S. PATENT DOCUMENTS

D. 310,818	9/1990	Zaretsky et al.	D13/125
D. 360,876	8/1995	Hughes	D13/177
4,981,439	1/1991	Piedmont	174/67
5,003,128	3/1991	Grondin	174/67
5,408,046	4/1995	Vandevanter	174/67

*Primary Examiner—Doris Clark
Attorney, Agent, or Firm—Lothrop & West*

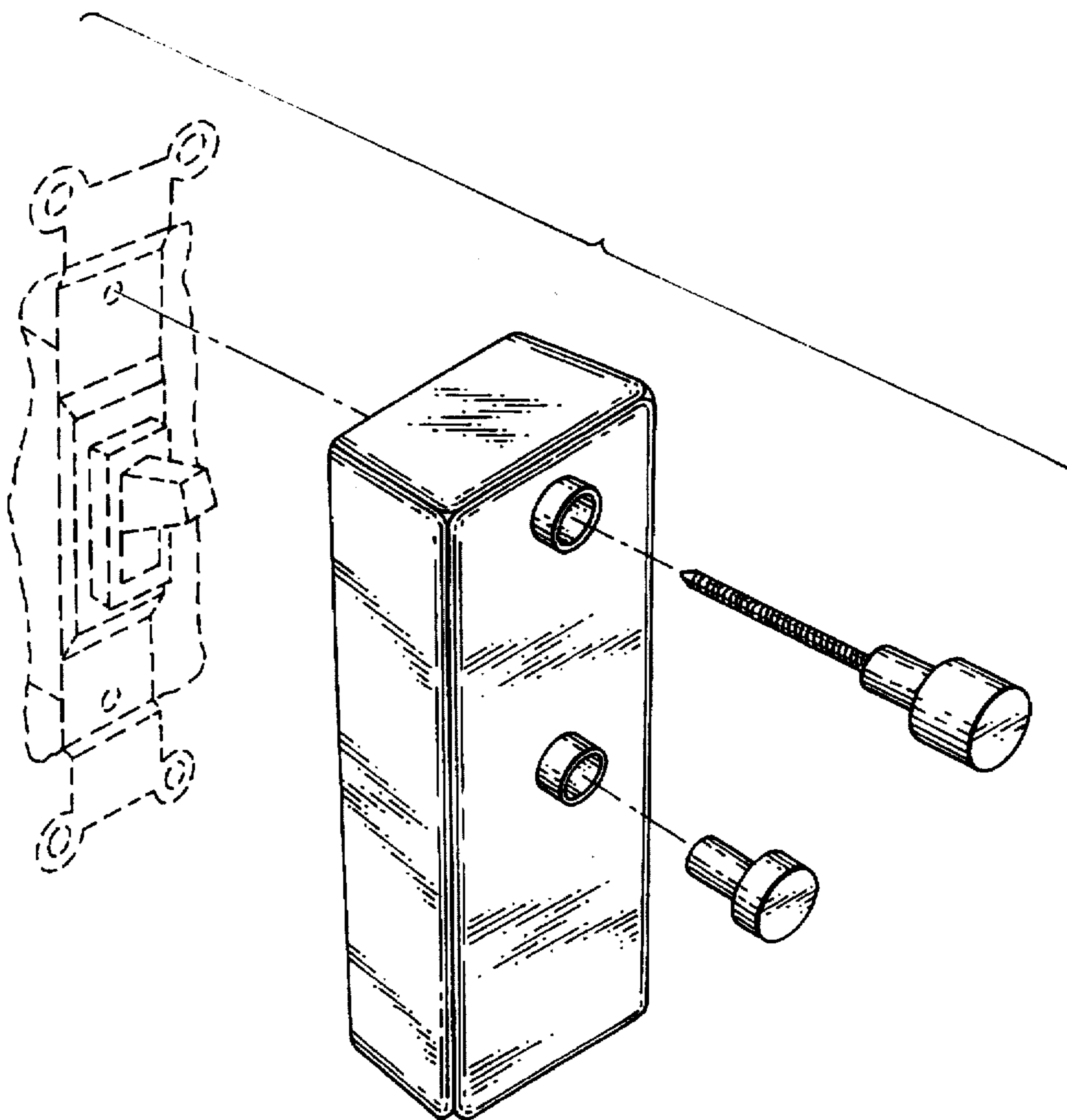
[57] **CLAIM**

The ornamental design for an electrical connection and switch box cover, as shown and described.

DESCRIPTION

FIG. 1 is a left front perspective of an electrical connection and switch box cover, showing my new design;
 FIG. 2 is a front elevational view, thereof;
 FIG. 3 is a rear elevational view, thereof;
 FIG. 4 is an elevational view of one side, the opposite side elevational view being substantially a mirror image, thereof;
 FIG. 5 is a top plan view, thereof;
 FIG. 6 is a bottom plan view, thereof;
 FIG. 7 is a side elevational view of a second embodiment of an electrical connection and switch box cover, the opposite side being a mirror image thereof; and,
 FIG. 8 is a left front perspective of the article, the broken line representation of the light switch being included solely for illustrative purposes, forming no part of the claimed design.

1 Claim, 2 Drawing Sheets



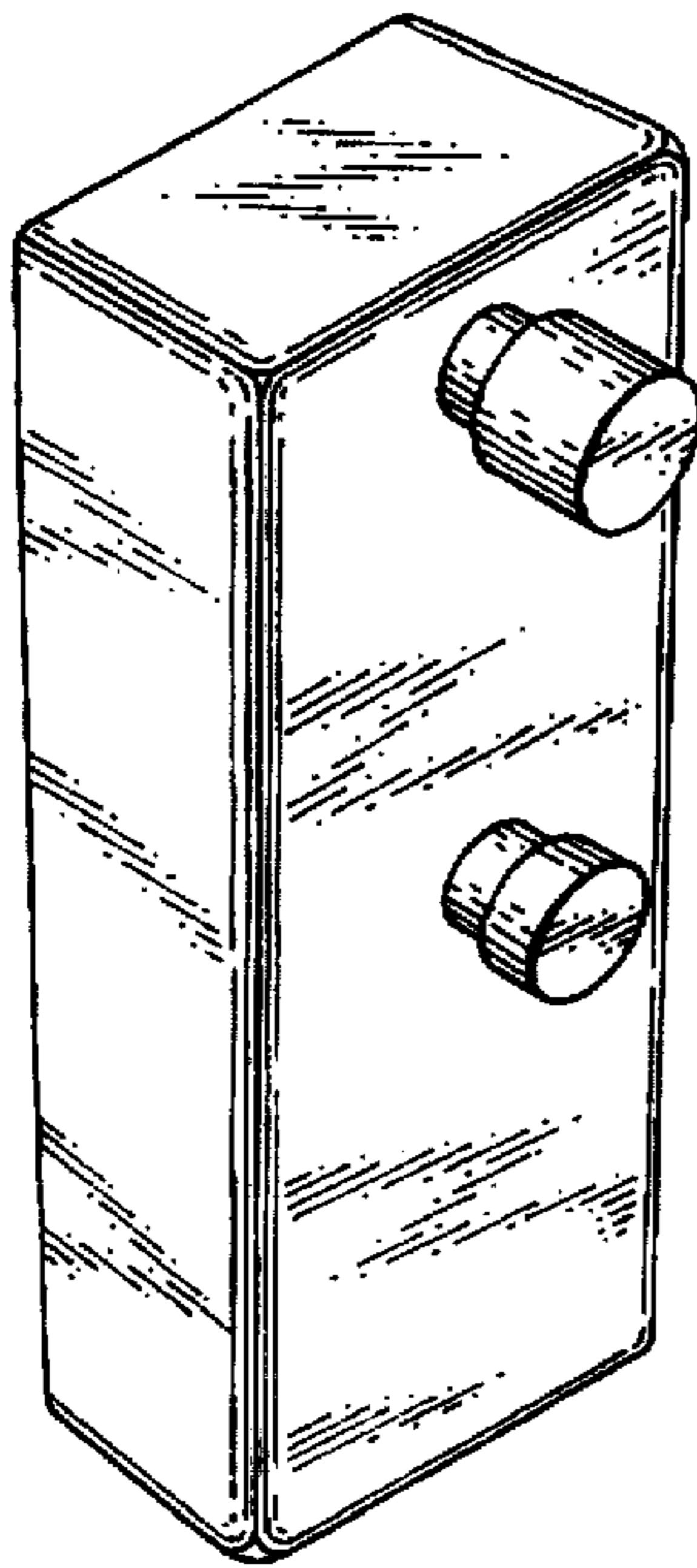


Fig. 1

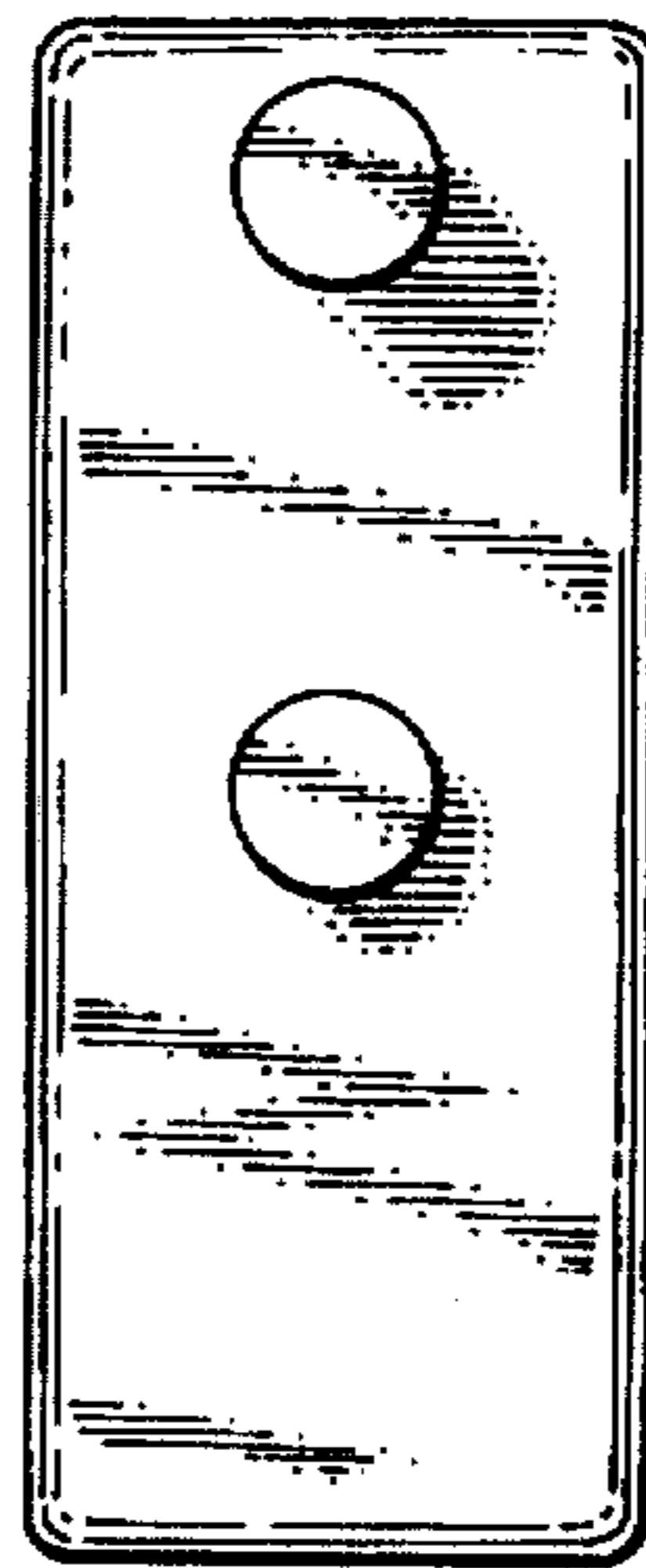


Fig. 2

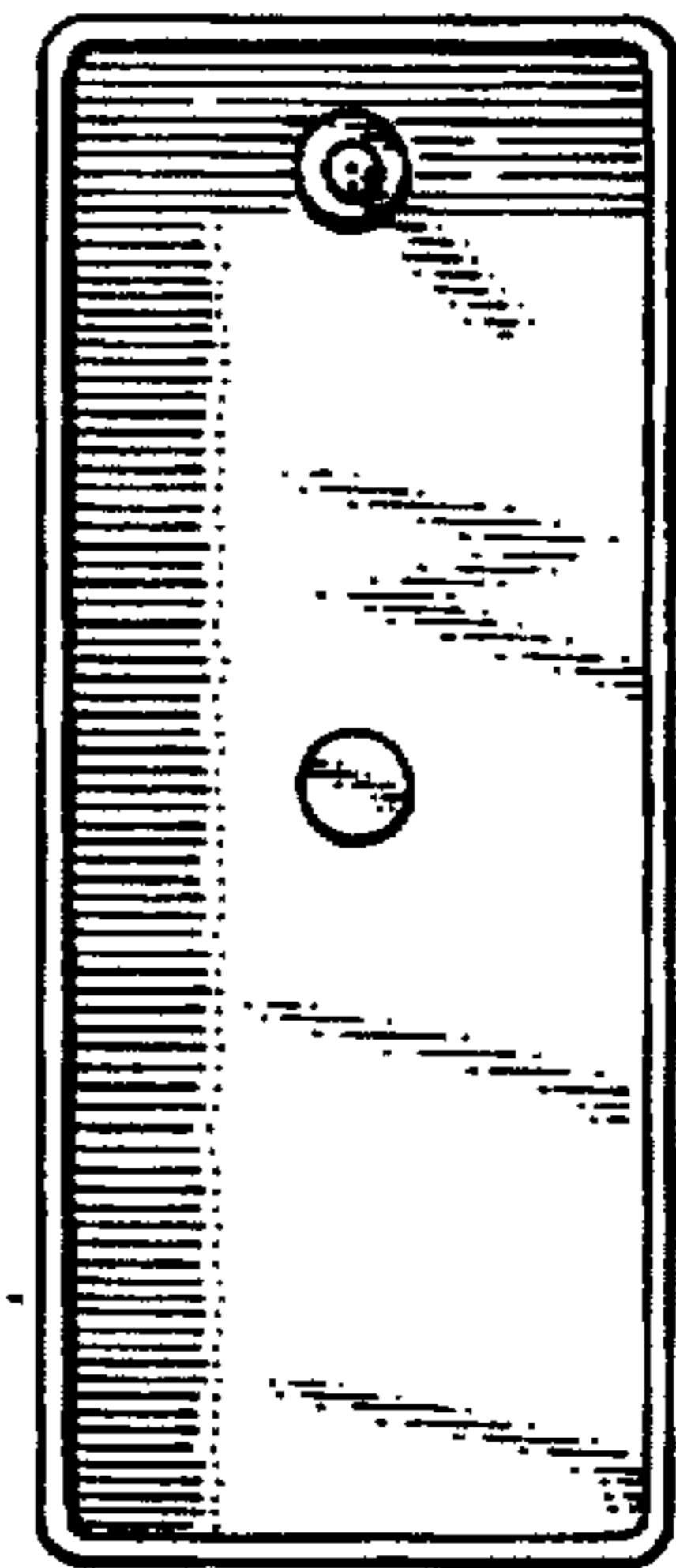


Fig. 3

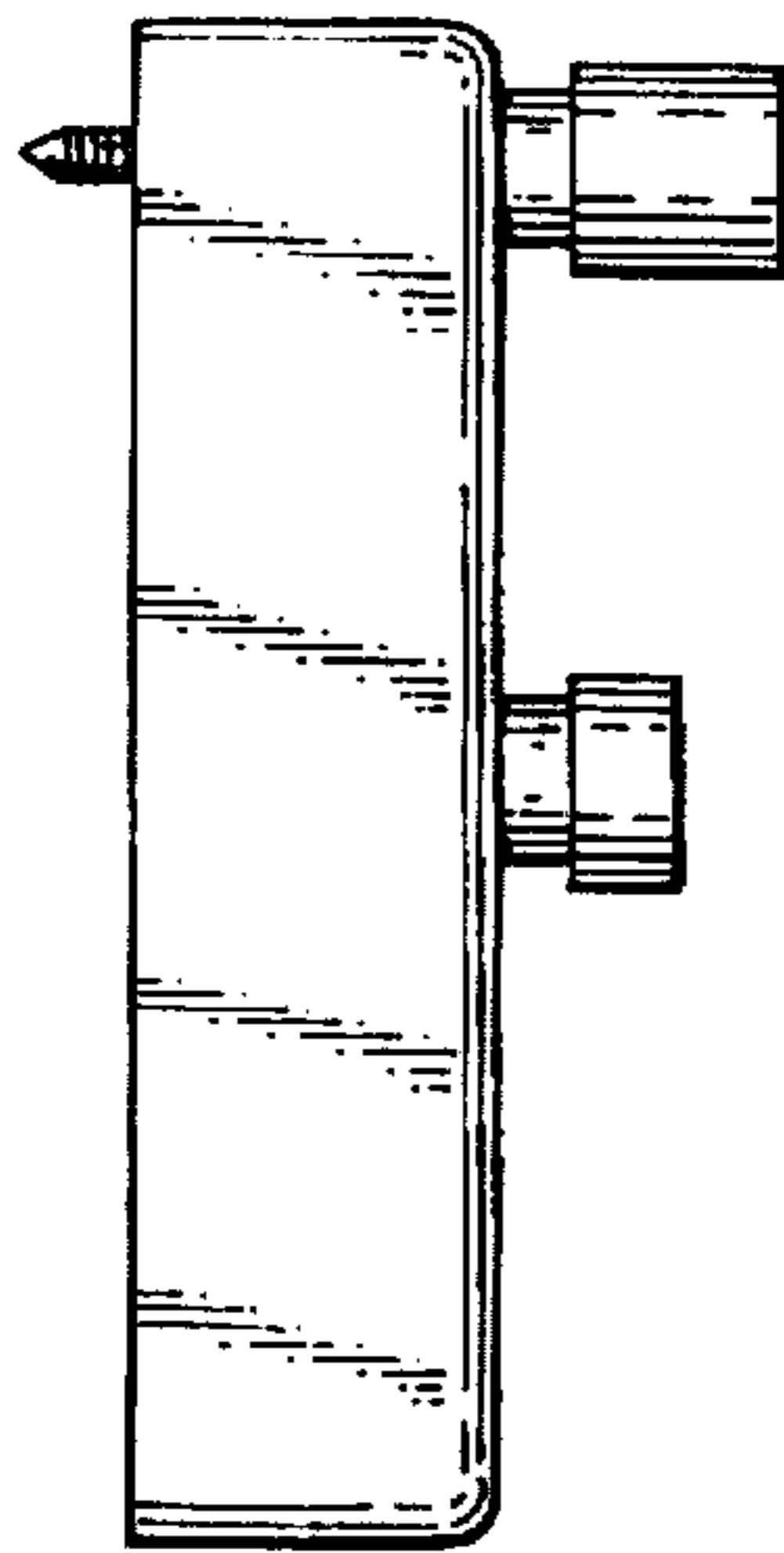


Fig. 4

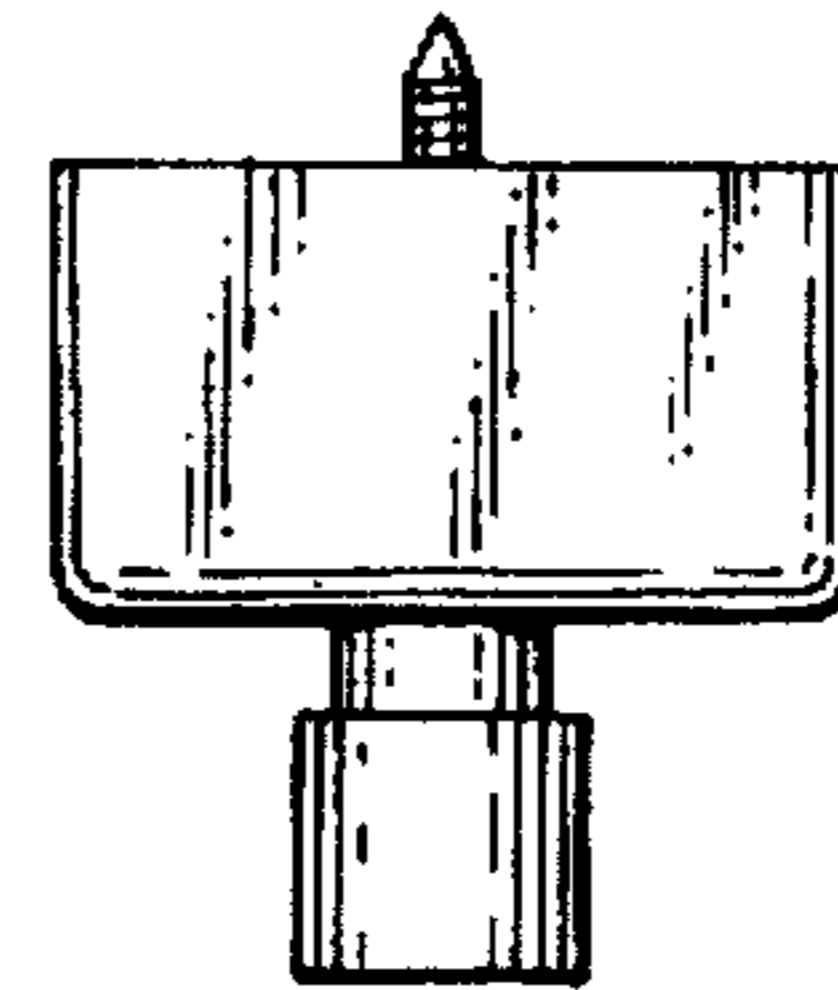


Fig. 5

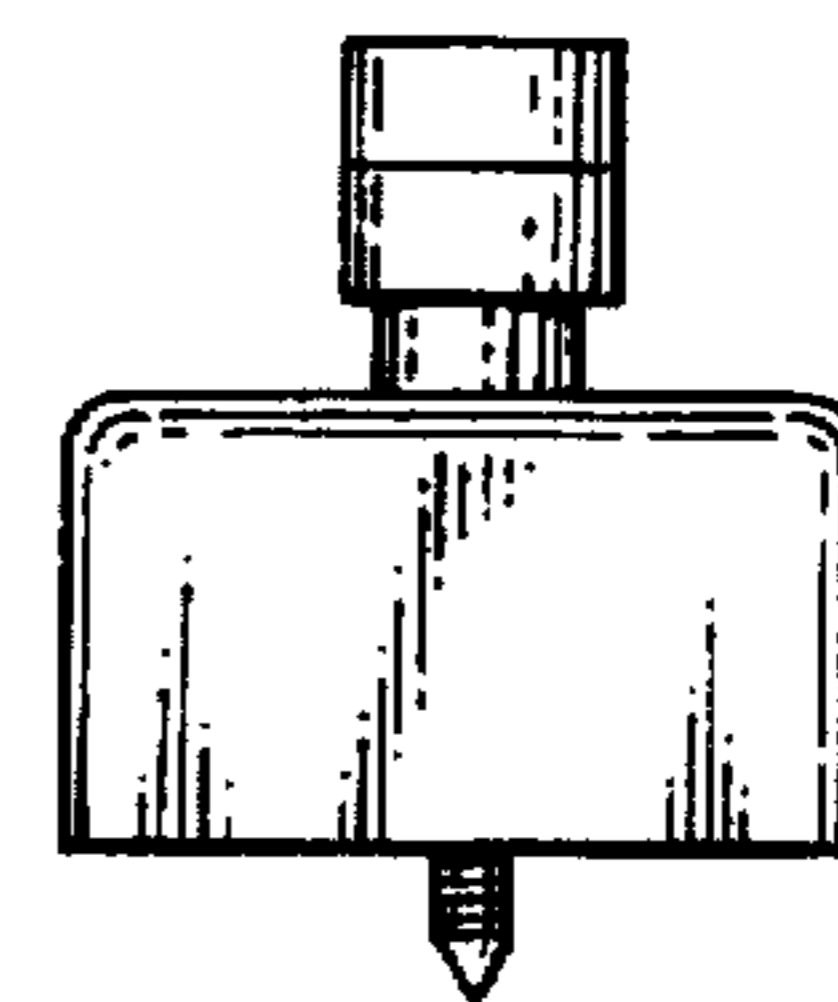


Fig. 6

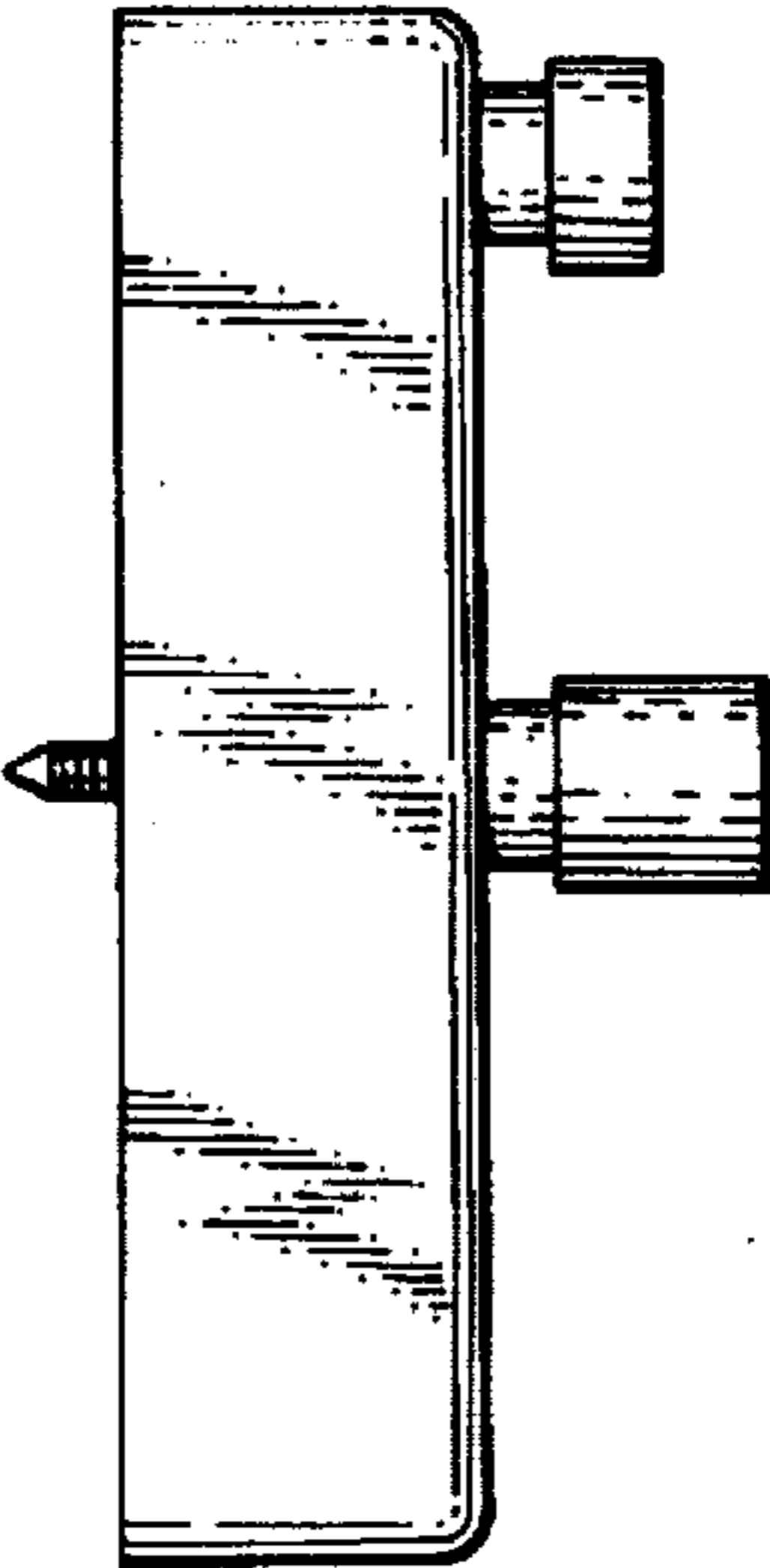


Fig. 7

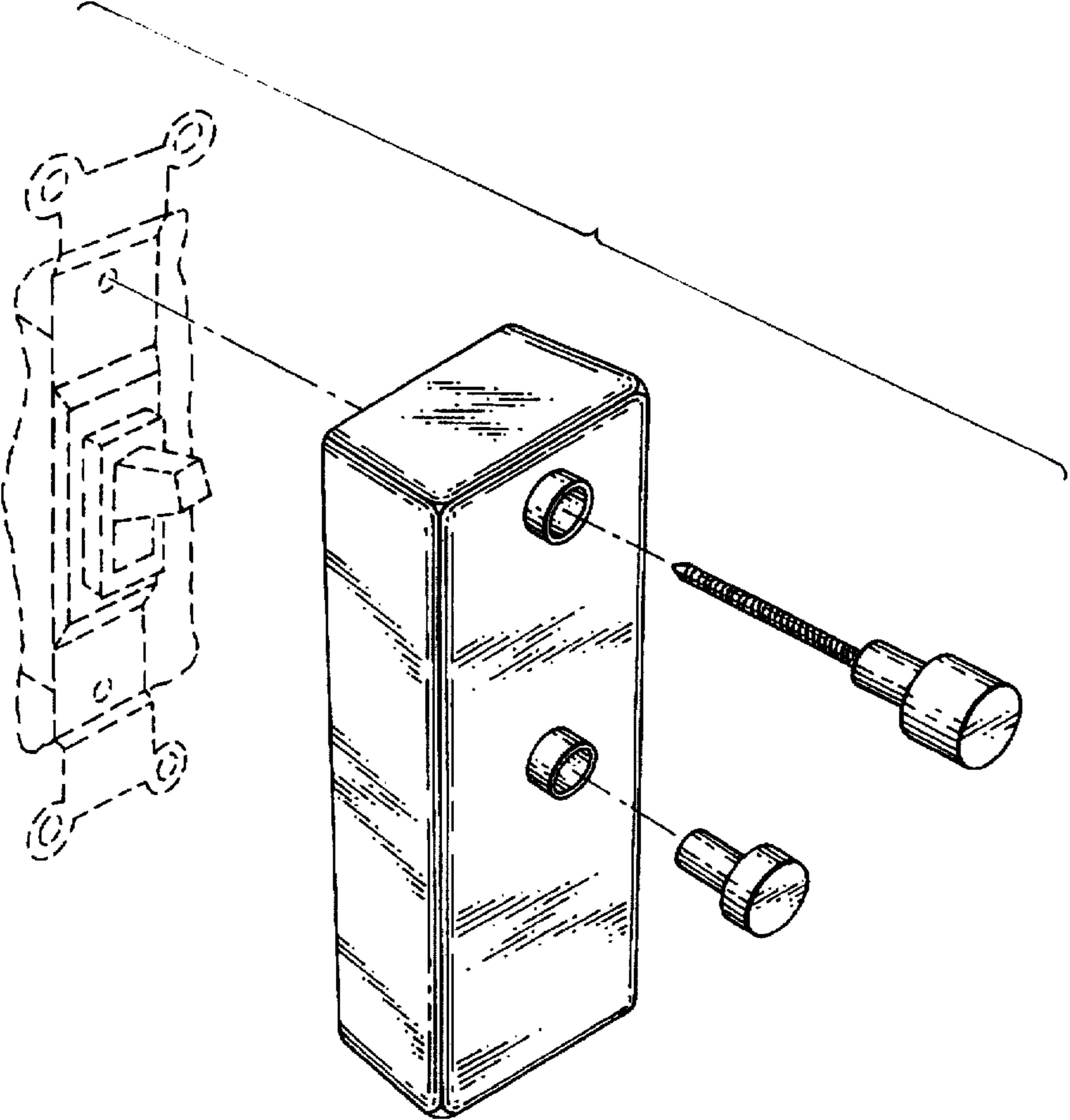


Fig. 8