

US00D386149S

United States Patent [19]

[11] Patent Number: **Des. 386,149**

Malone, Sr. et al.

[45] Date of Patent: ****Nov. 11, 1997**

[54] **DEVICE USED TO LOCK AND SECURE AN ELECTRICAL PLUG**

2234687	1/1975	France	D13/156 X
2633458	12/1989	France	439/892
2237150	4/1991	United Kingdom	439/892

[76] Inventors: **William R. Malone, Sr.; Theresa Anne Malone**, both of 7701 Berkshire Way, Maple Grove, Minn. 55311

Primary Examiner—Joel Sincavage

[**] Term: **14 Years**

[57] **CLAIM**

[21] Appl. No.: **23,339**

The ornamental design for a device used to lock and secure an electrical plug, as shown and described.

[22] Filed: **May 23, 1994**

DESCRIPTION

[51] **LOC (6) Cl.** **13-03**

[52] **U.S. Cl.** **D13/156**

[58] **Field of Search** **D13/154, 156; 174/50, 138 F, 139; 439/133, 135, 367, 369, 892**

FIG. 1 is a front and upper left, exploded, perspective view of a device used to lock and secure an electrical plug showing our new design;

FIG. 2 is a front and upper left perspective view thereof shown in the assembled condition;

FIG. 3 is a left side view of a single member of the device used to lock and secure an electrical plug. The accompanying member is omitted for clarity of illustration;

FIG. 4 is a top view thereof;

FIG. 5 is a right side view thereof; and,

FIG. 6 is a front view thereof.

The omitted accompanying member is identical to the one shown. The broken line showing of the plug and cord is included for the purpose of illustrating environmental structure only and forms no part of the claimed design.

[56] References Cited

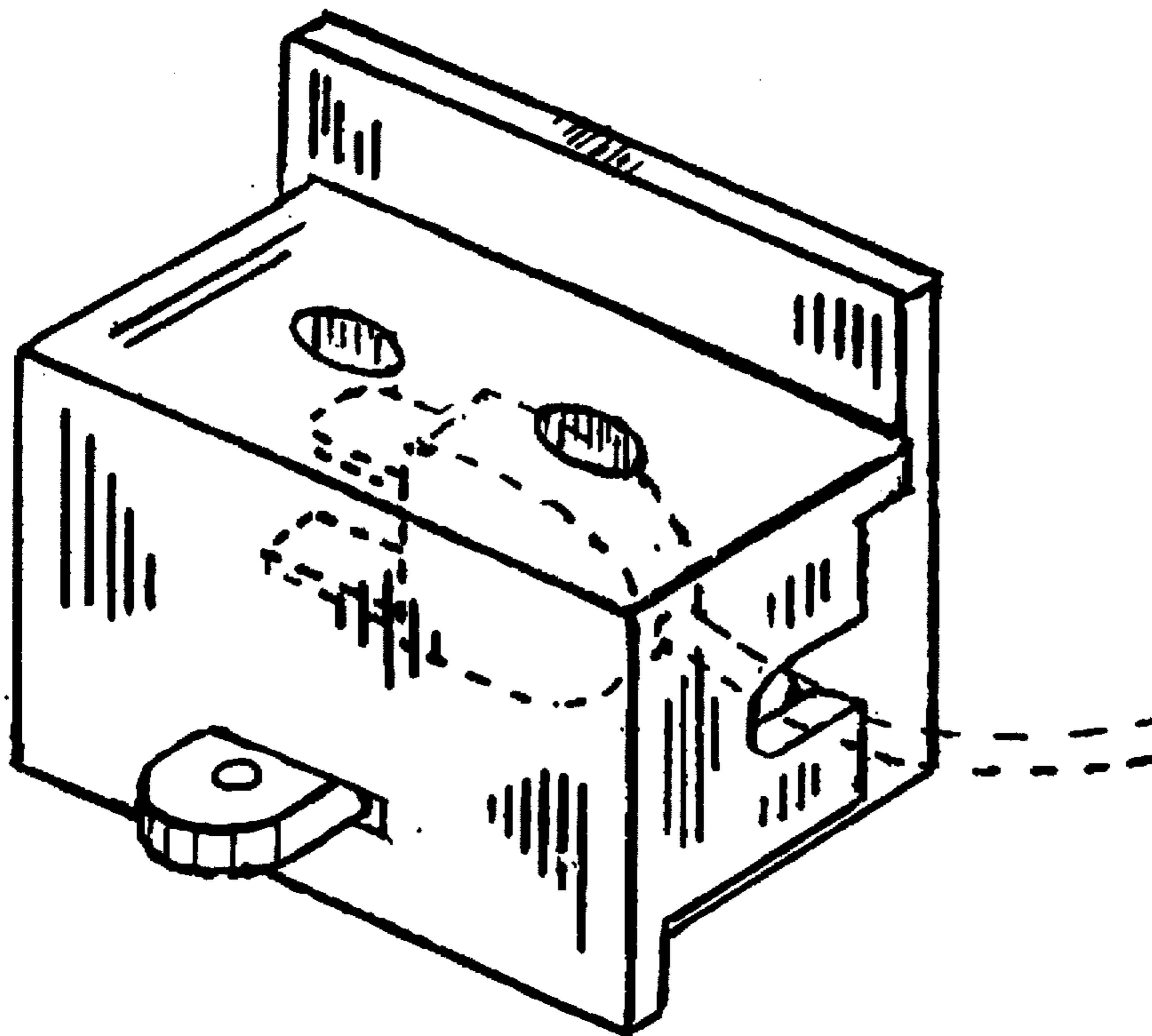
U.S. PATENT DOCUMENTS

D. 309,893	8/1990	Endo et al.	D13/156
D. 325,374	4/1992	Ashby	D13/154
4,592,607	6/1986	Pejovic	439/133
4,679,873	7/1987	Brackett, Jr.	439/135 X
4,749,363	6/1988	Luska et al.	D13/156 X
5,061,194	10/1991	Herman et al.	439/133
5,178,551	1/1993	Bach	439/133

FOREIGN PATENT DOCUMENTS

1113521	3/1956	Canada	174/50
---------	--------	--------	-------	--------

1 Claim, 1 Drawing Sheet



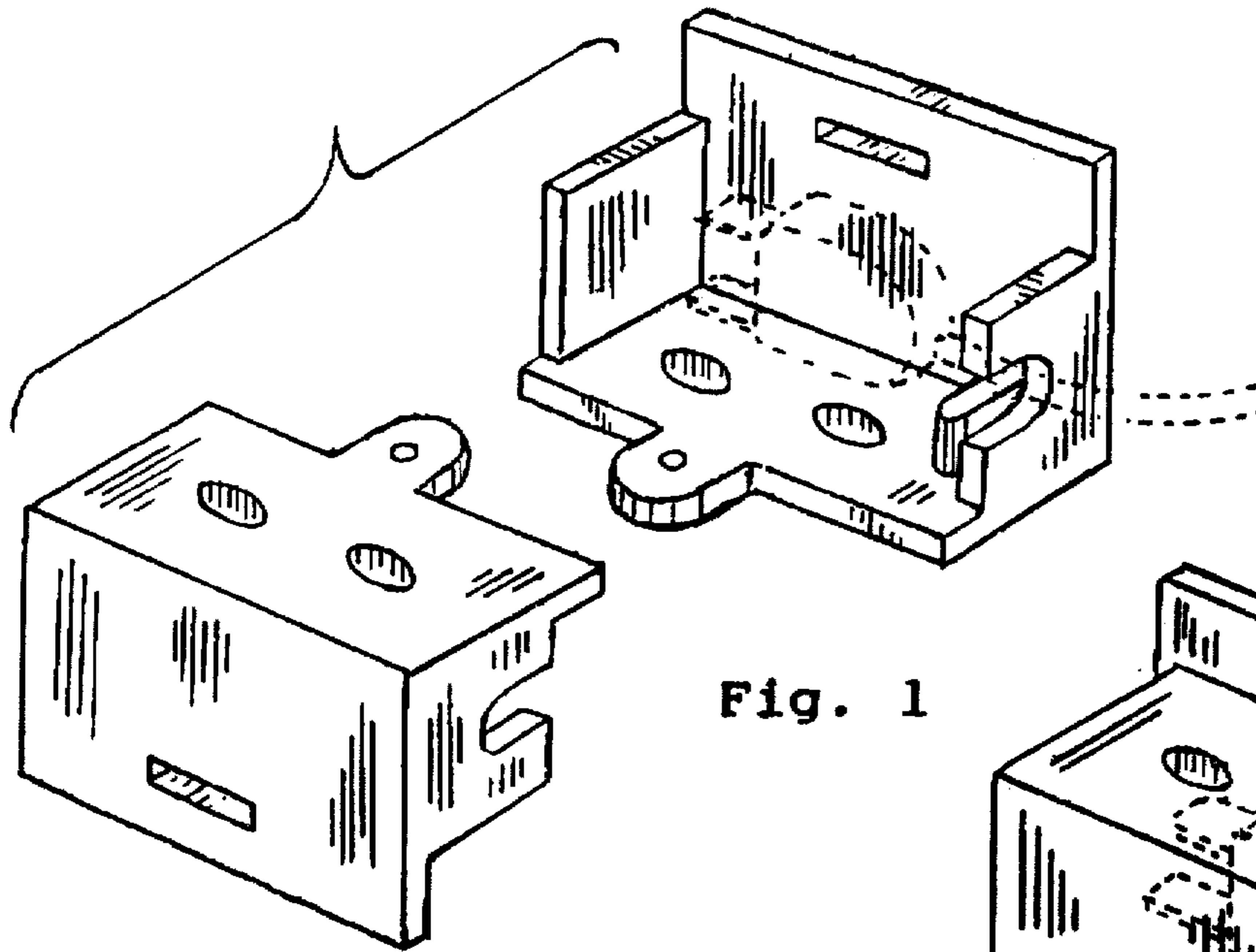


Fig. 1

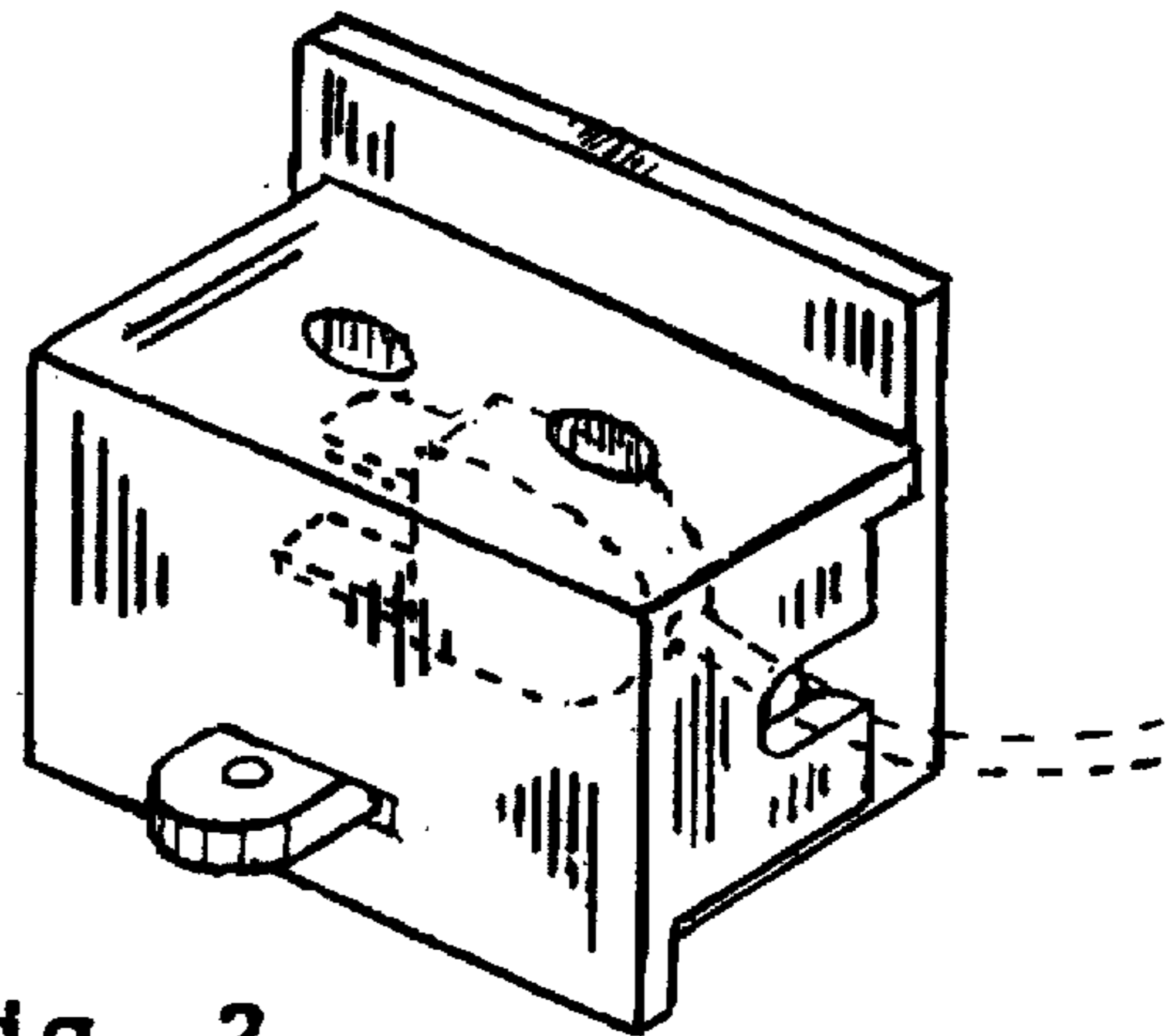


Fig. 2

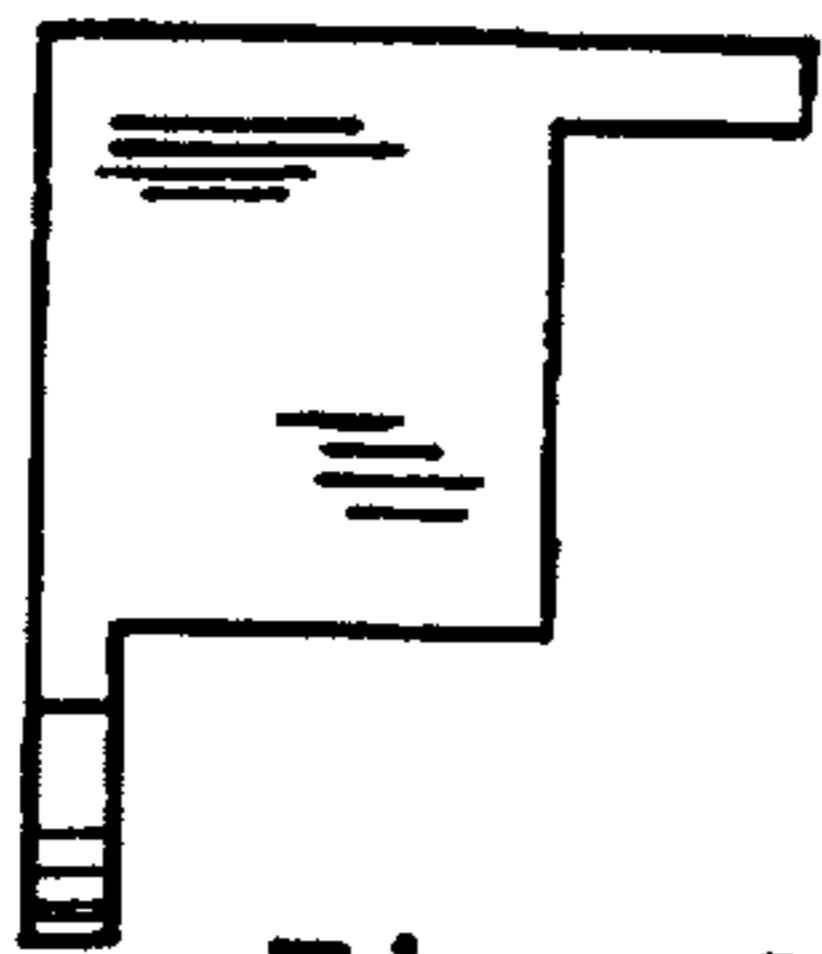


Fig. 3

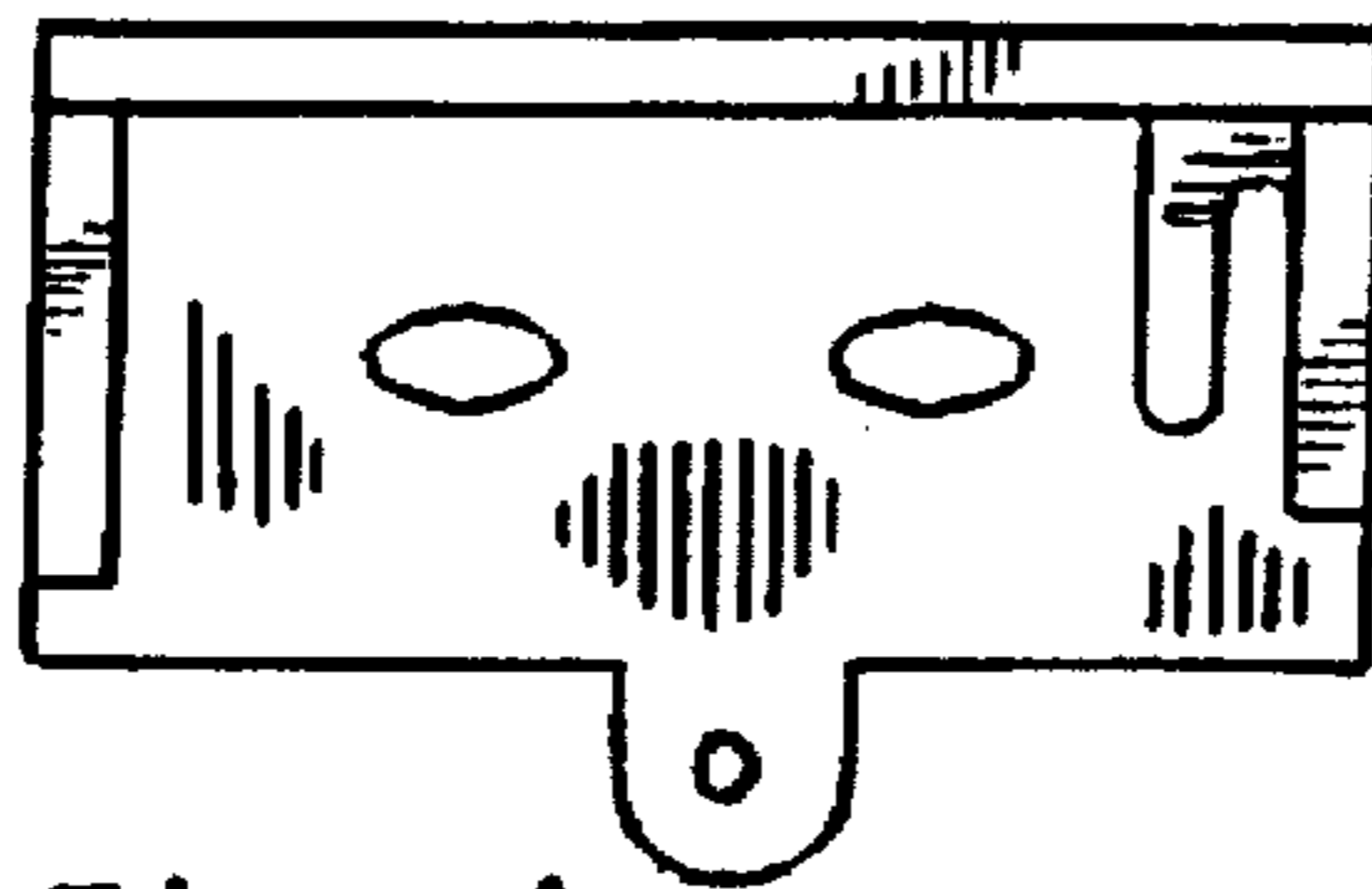


Fig. 4

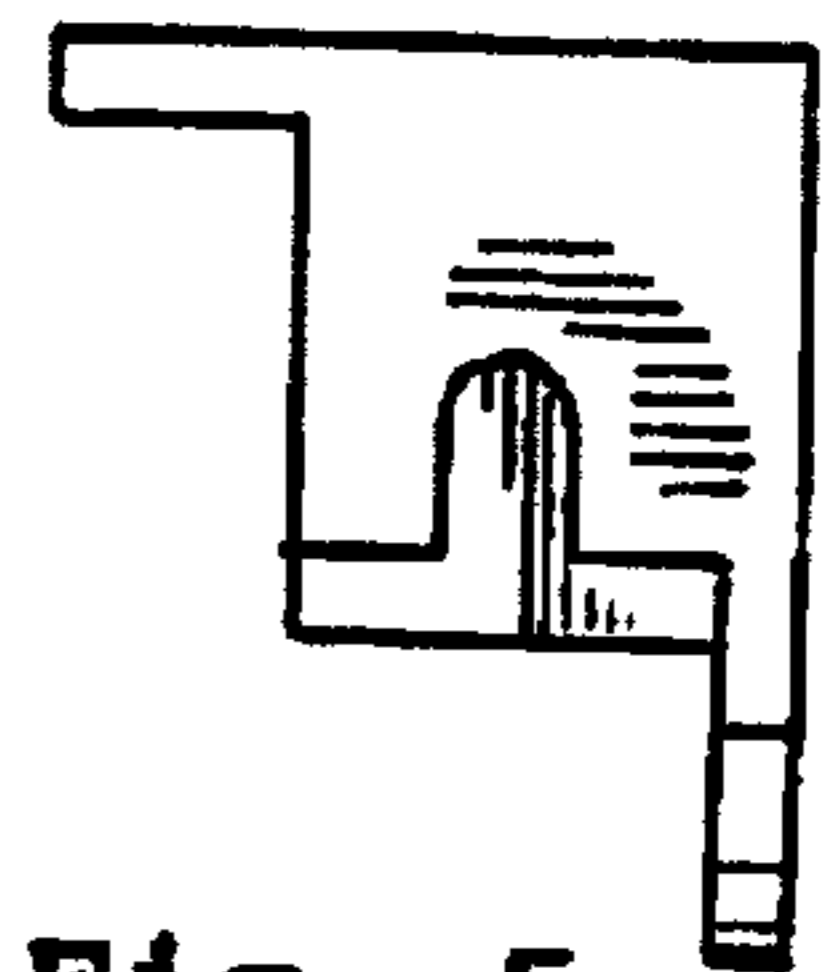


Fig. 5

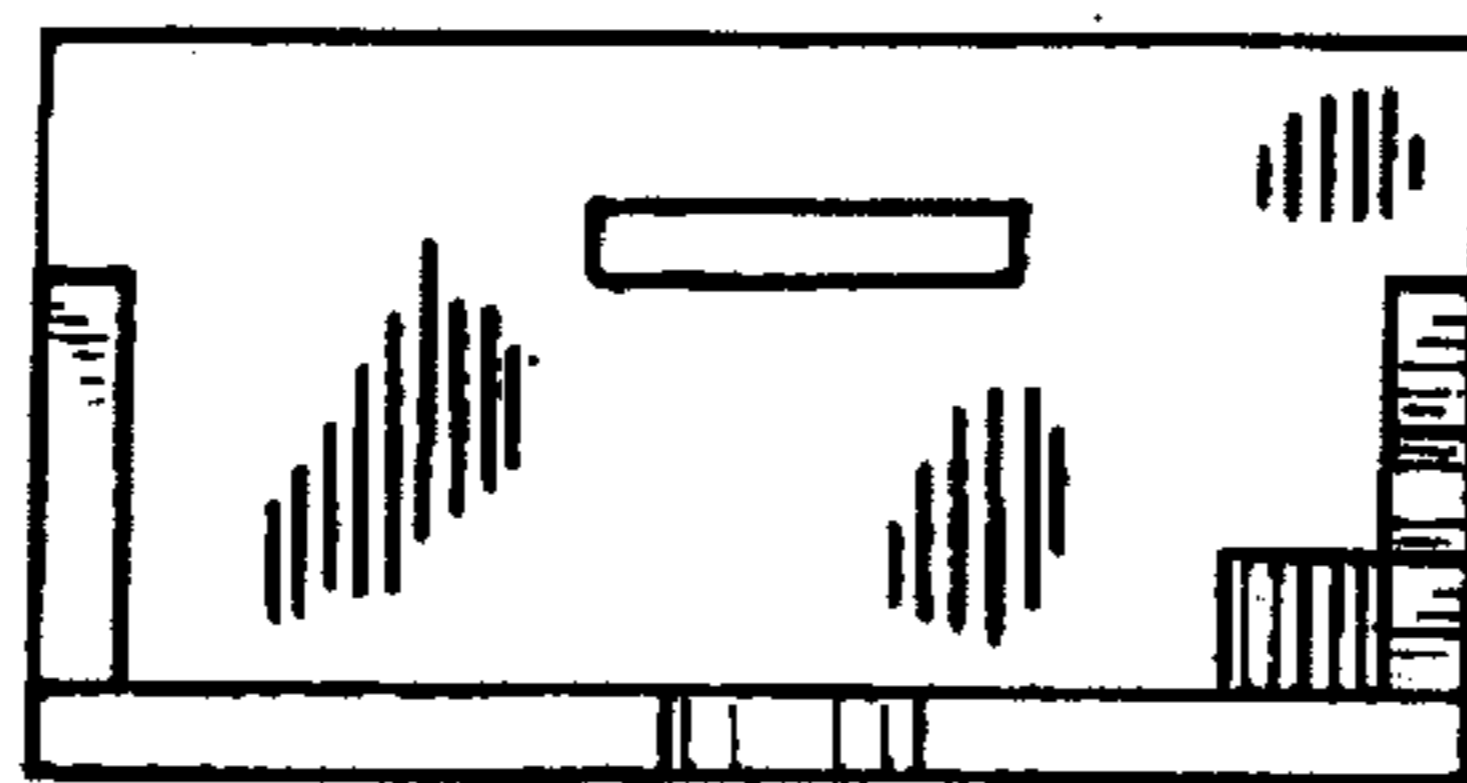


Fig. 6