



US00D386137S

United States Patent [19] Bailey

[11] Patent Number: **Des. 386,137**

[45] Date of Patent: ****Nov. 11, 1997**

[54] RV GENERATOR EXHAUST COUPLER

[75] Inventor: **Mark R. Bailey**, Madison, N.C.

[73] Assignee: **Camco Manufacturing, Inc.**,
Greensboro, N.C.

[**] Term: **14 Years**

[21] Appl. No.: **52,085**

[22] Filed: **Mar. 22, 1996**

[51] LOC (6) Cl. **12-16**

[52] U.S. Cl. **D12/194**

[58] Field of Search **D12/194, 190;**
D13/199; 181/211, 212, 227, 228, 241;
285/33

[56] References Cited

U.S. PATENT DOCUMENTS

D. 304,486	11/1989	Elder et al.	D23/233
D. 344,273	2/1994	Benson	D15/5
D. 348,097	6/1994	Inda et al.	D23/263
D. 369,583	5/1996	Shirley .	
1,627,855	5/1927	Kysor .	
3,415,338	12/1968	McMillan	181/227
5,036,947	8/1991	Metzger .	
5,170,020	12/1992	Kruger et al. .	
5,197,509	3/1993	Cheng	181/227

OTHER PUBLICATIONS

Photographs of prior art generator exhaust system—undated.
Camco prior art RV generator exhaust brochure dated 30
Jun. 1994.

Primary Examiner—Louis S. Zarfaz
Assistant Examiner—Frank Martinez

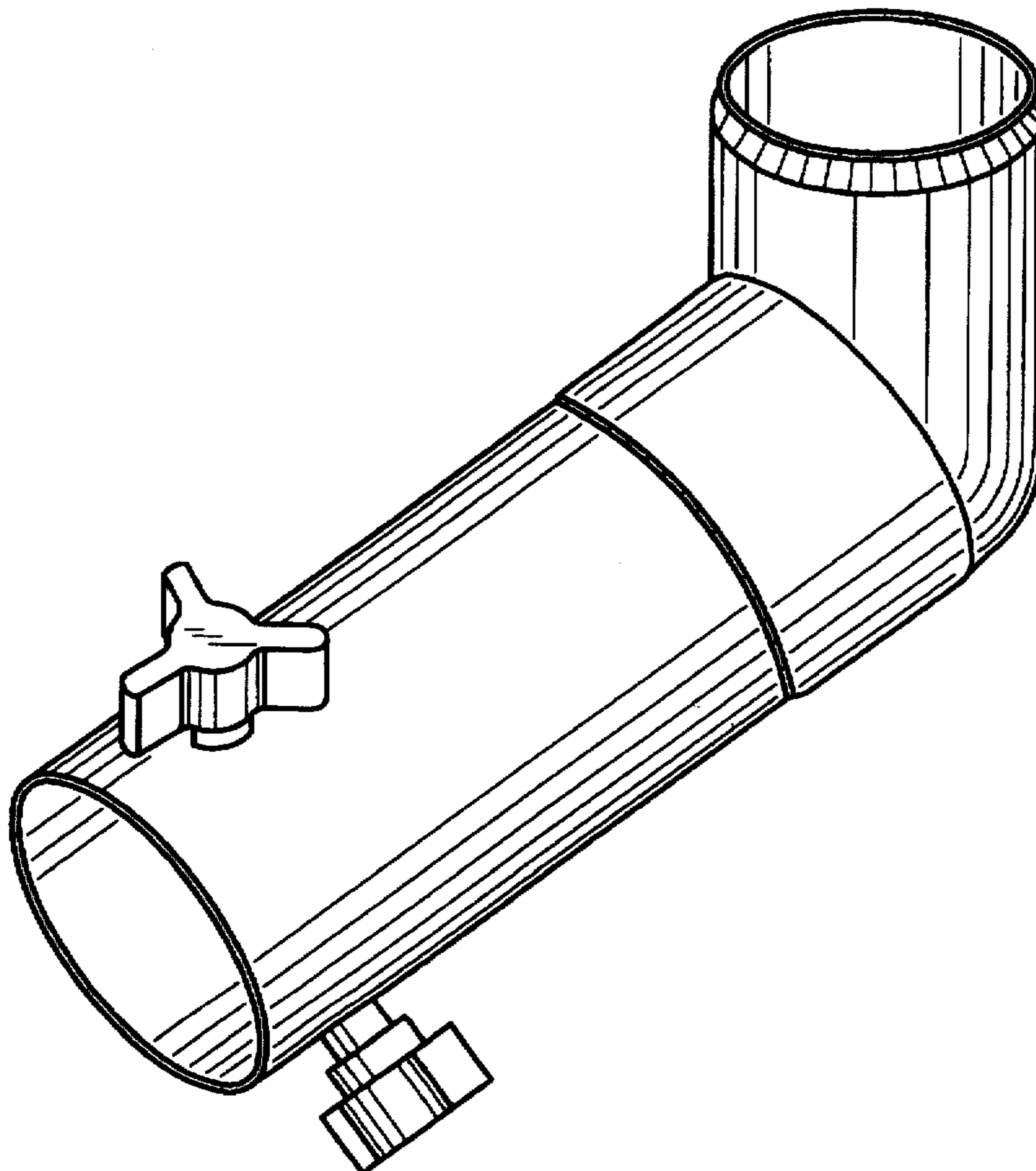
[57] CLAIM

The ornamental design for a RV generator exhaust coupler,
as shown and described.

DESCRIPTION

FIG. 1 is a perspective view of an RV generator exhaust
coupler embodying my design;
FIG. 2 is a right side elevational view of the RV generator
exhaust coupler as shown in FIG. 1, the left side being a
mirror image thereof;
FIG. 3 is a top plan view of the RV generator exhaust coupler
as shown in FIG. 1;
FIG. 4 is a bottom plan view of the RV generator exhaust
coupler as shown in FIG. 1;
FIG. 5 is a front end view of the RV generator exhaust
coupler as shown in FIG. 1; and,
FIG. 6 is a rear end view of the RV generator exhaust coupler
as shown in FIG. 1.

1 Claim, 3 Drawing Sheets



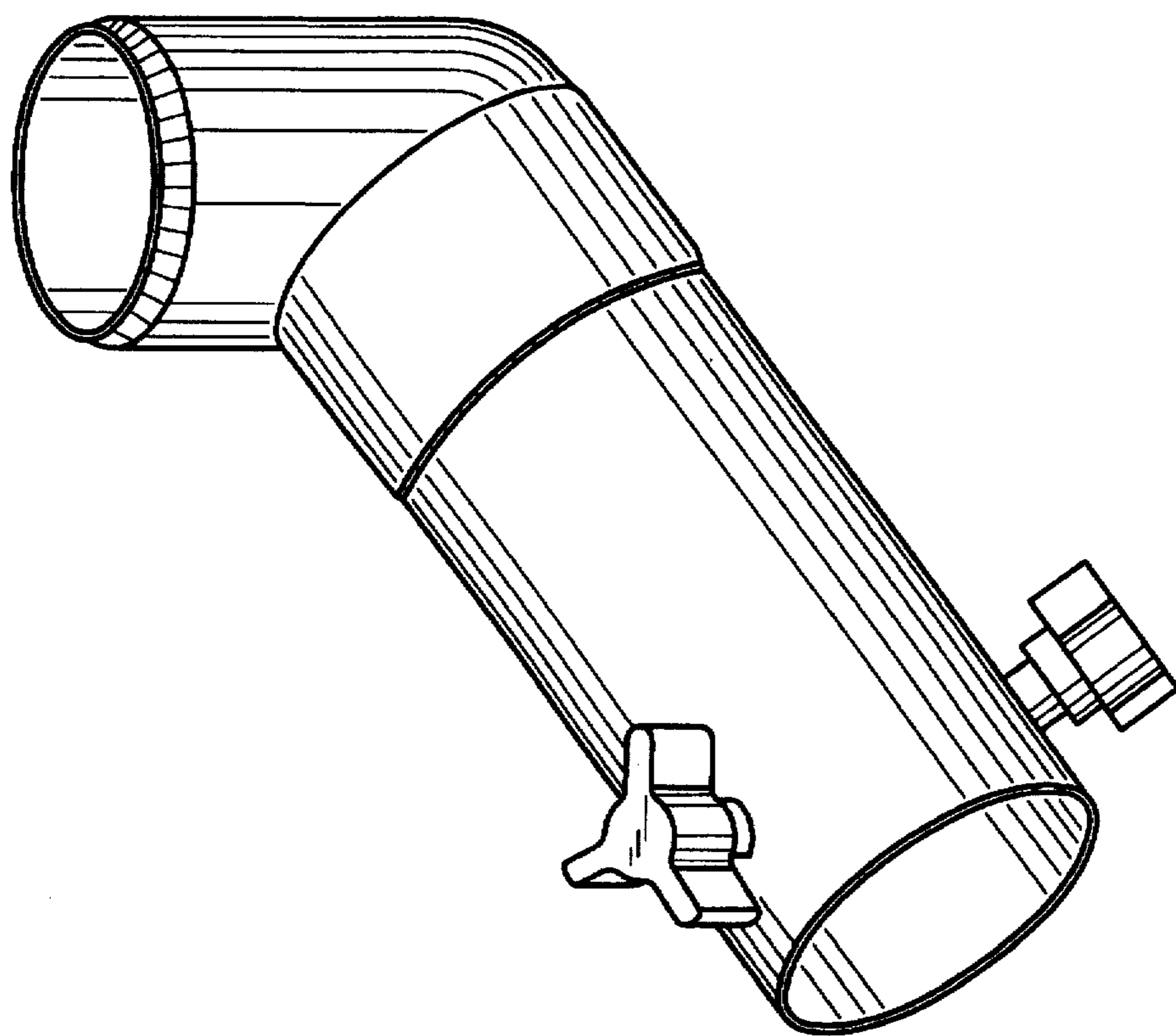


FIG. 1

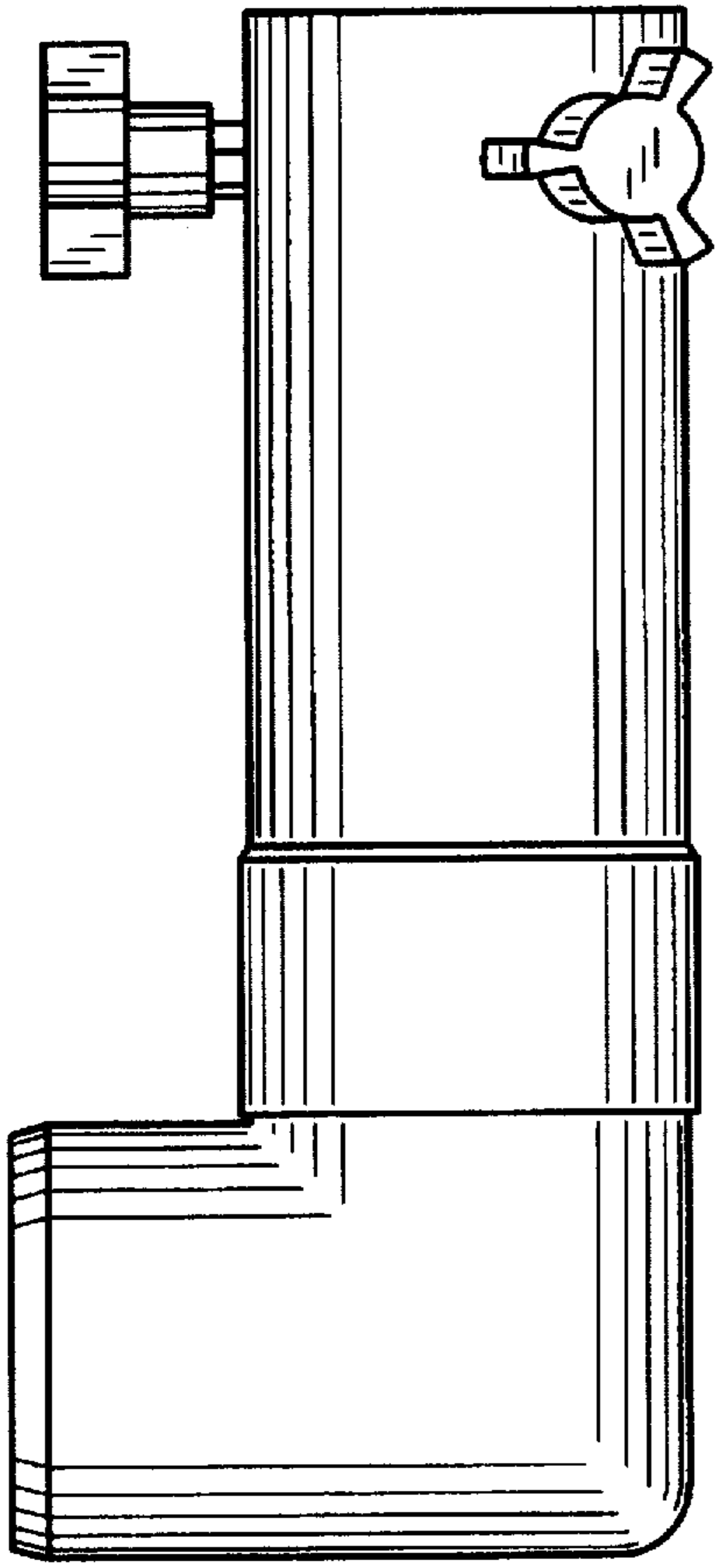


FIG. 2

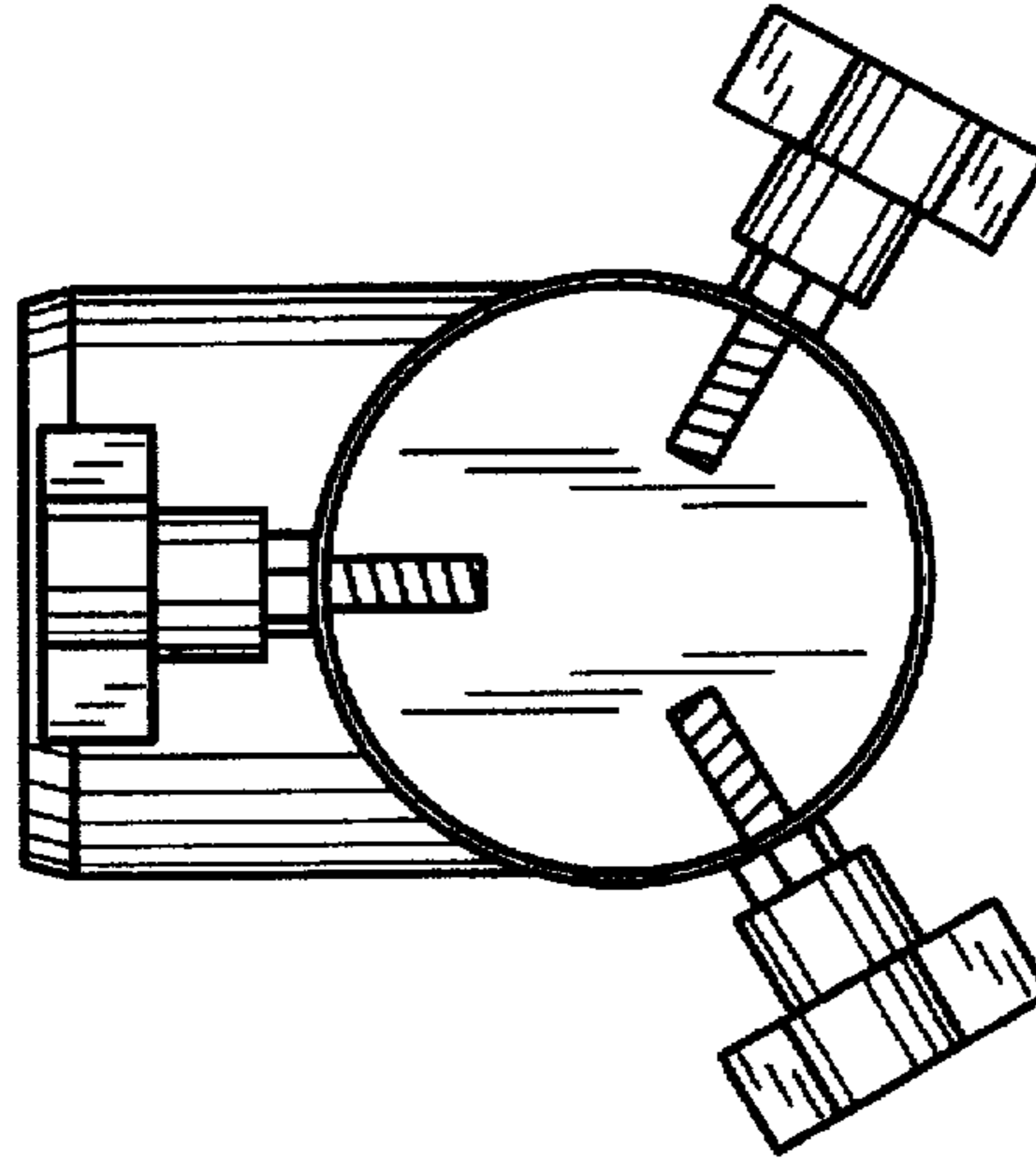


FIG. 5

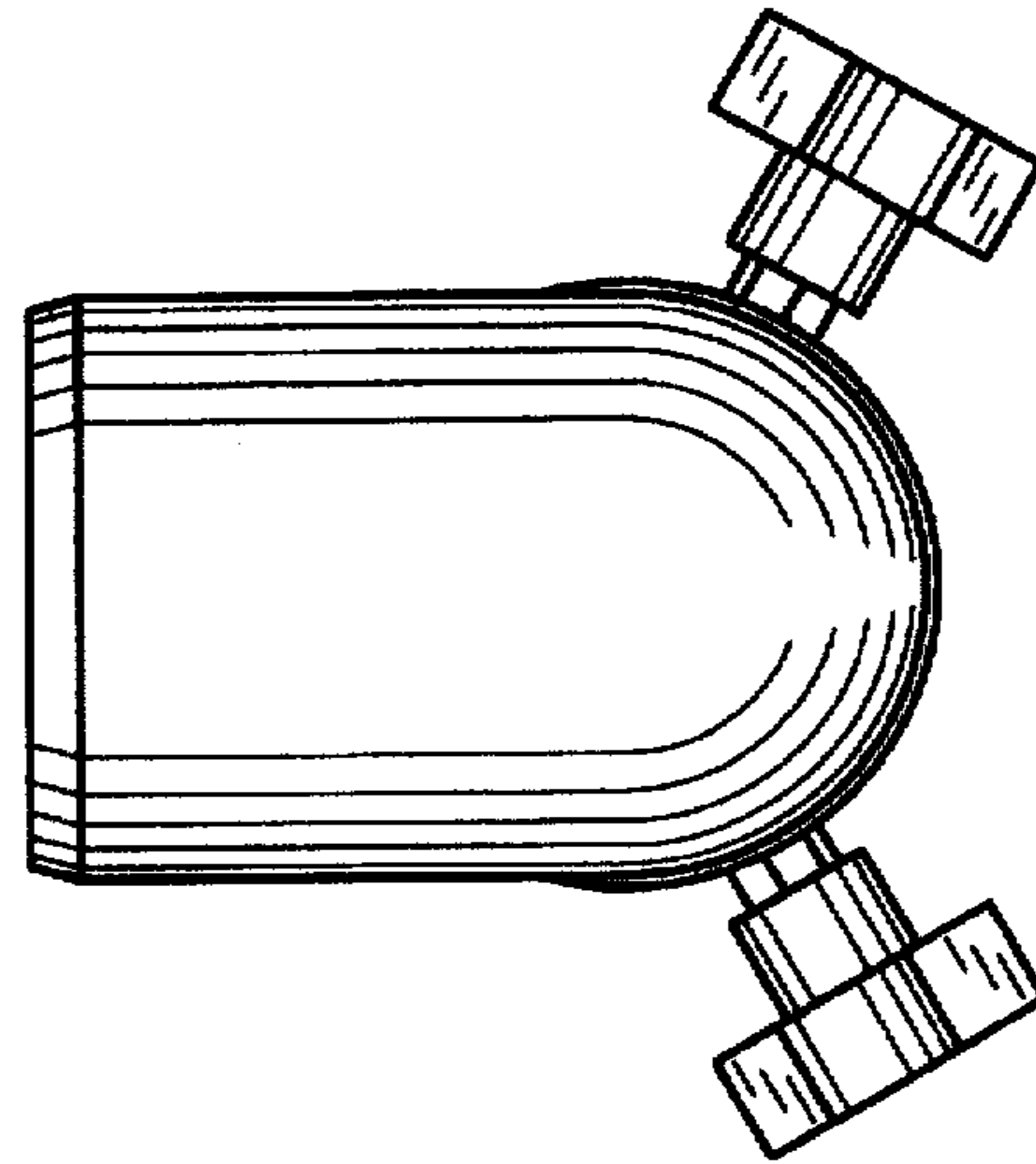


FIG. 6

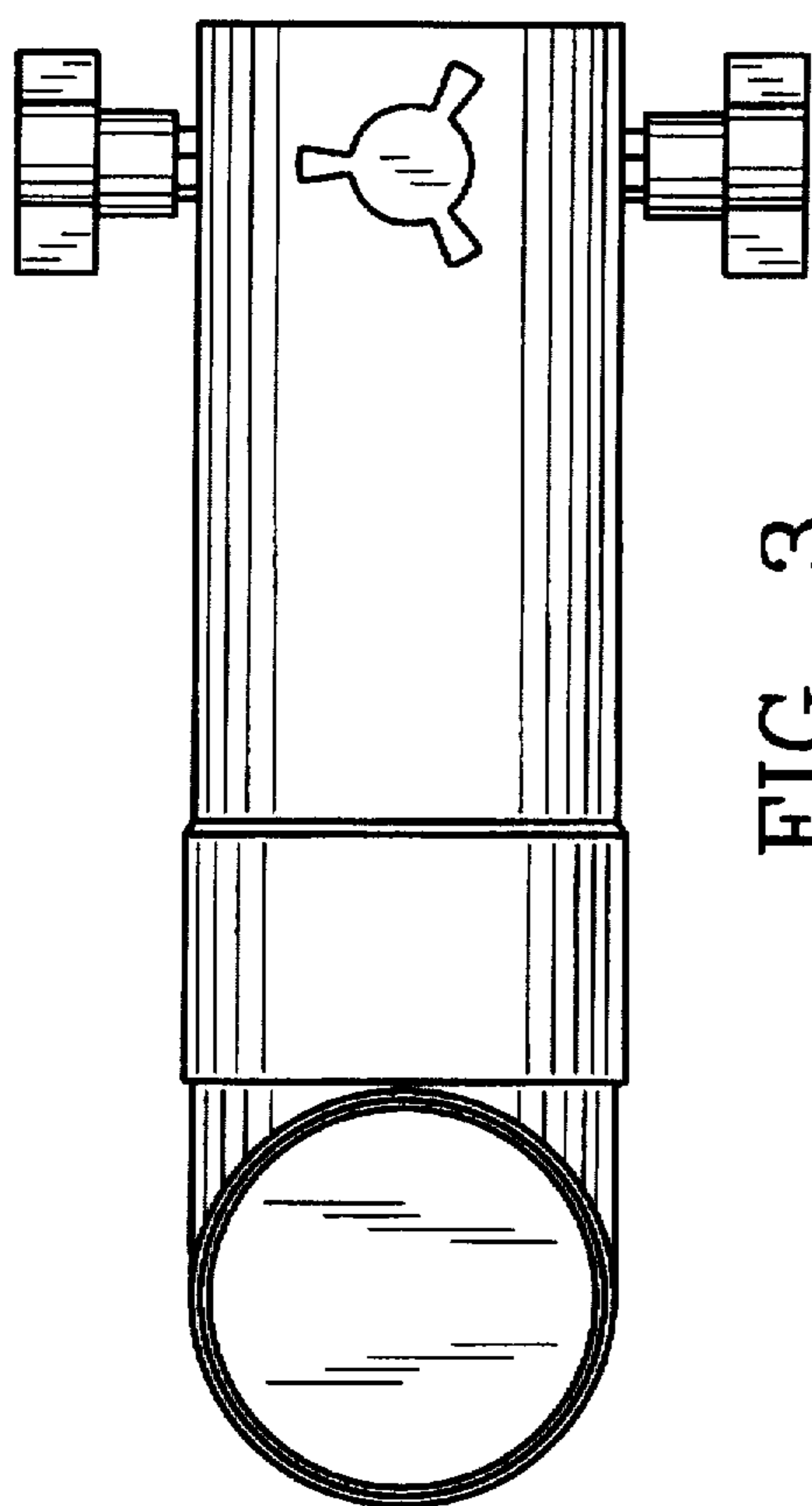


FIG. 3

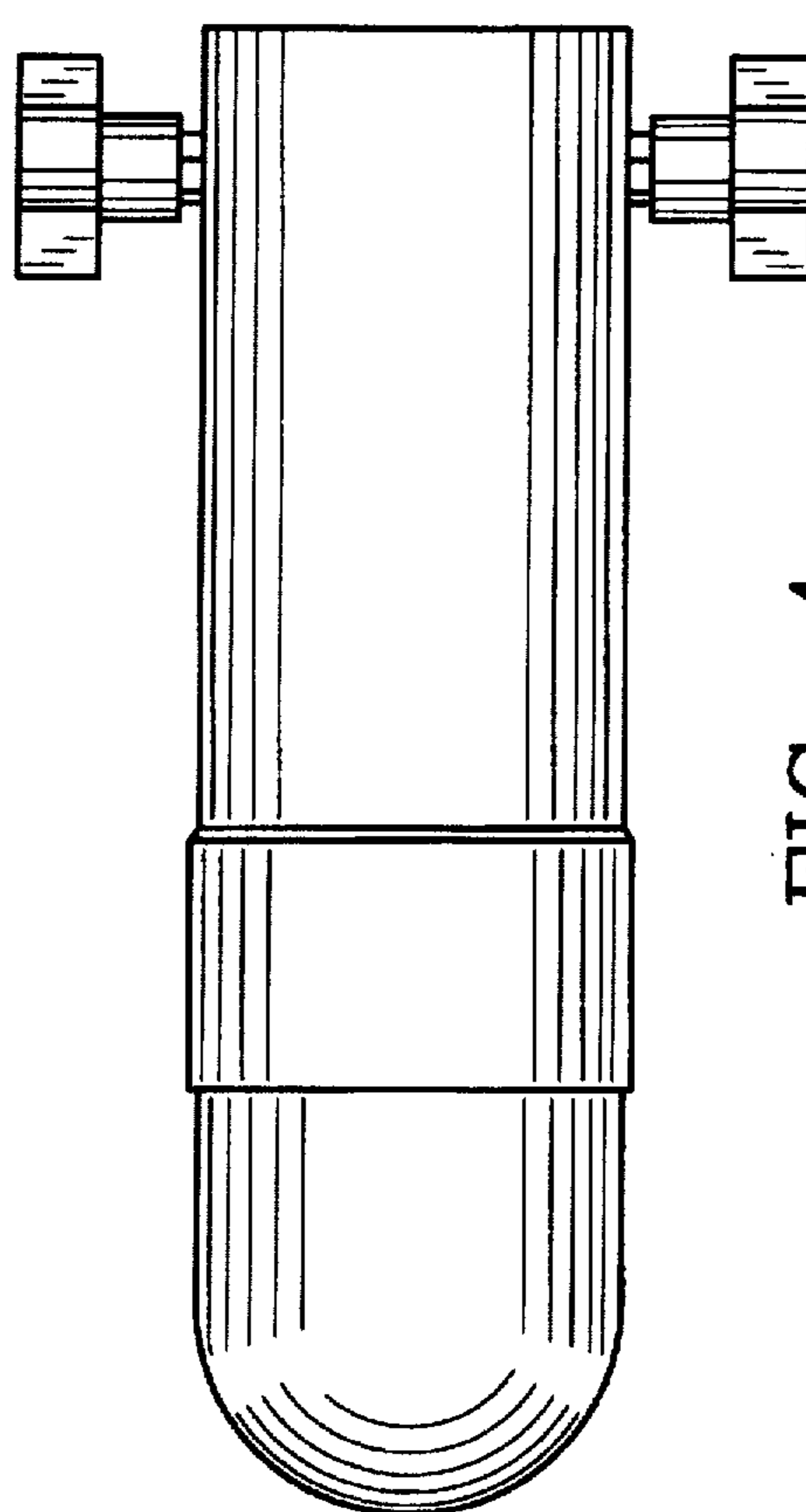


FIG. 4