



US00D386130S

United States Patent [19]
Nielsen, III

[11] **Patent Number: Des. 386,130**
[45] **Date of Patent: **Nov. 11, 1997**

[54] **BOAT TRAILER FENDER**

[75] **Inventor: Chester I. Nielsen, III, West Bend, Wis.**

[73] **Assignee: Wesbar Corporation, West Bend, Wis.**

[**] **Term: 14 Years**

[21] **Appl. No.: 64,332**

[22] **Filed: Dec. 27, 1996**

[51] **LOC (6) Cl. 12-10**

[52] **U.S. Cl. D12/106; D12/181**

[58] **Field of Search D12/101, 106; 280/101, 106, 847, 414.1-414.3**

[56] **References Cited**

U.S. PATENT DOCUMENTS

D. 308,953 7/1990 Godbersen D12/106

D. 314,735 2/1991 Godbersen D12/106
D. 369,328 4/1996 Acosta D12/101
5,417,447 5/1995 Godbersen 280/414.1

Primary Examiner—Melody N. Brown

Attorney, Agent, or Firm—Andrus, Scales, Starke & Sawall

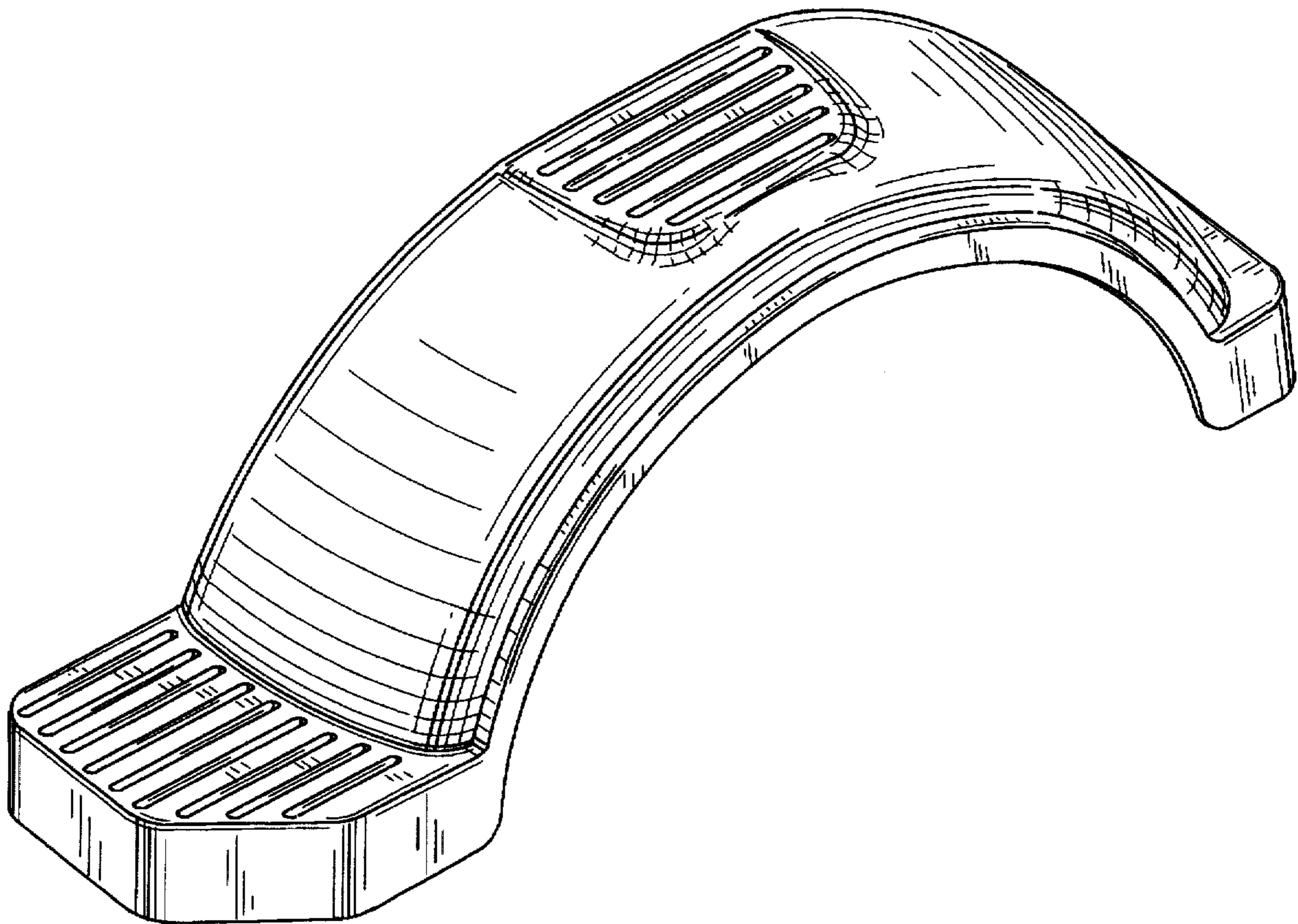
[57] **CLAIM**

The ornamental design for a boat trailer fender, as shown.

DESCRIPTION

FIG. 1 is a perspective view of the boat trailer fender; FIG. 2 is a top plan view of the boat trailer fender; FIG. 3 is a front view of the boat trailer fender; FIG. 4 is a rear view of the boat trailer fender; FIG. 5 is a left side elevation of the boat trailer fender; and, FIG. 6 is a right side elevation of the boat trailer fender.

1 Claim, 3 Drawing Sheets



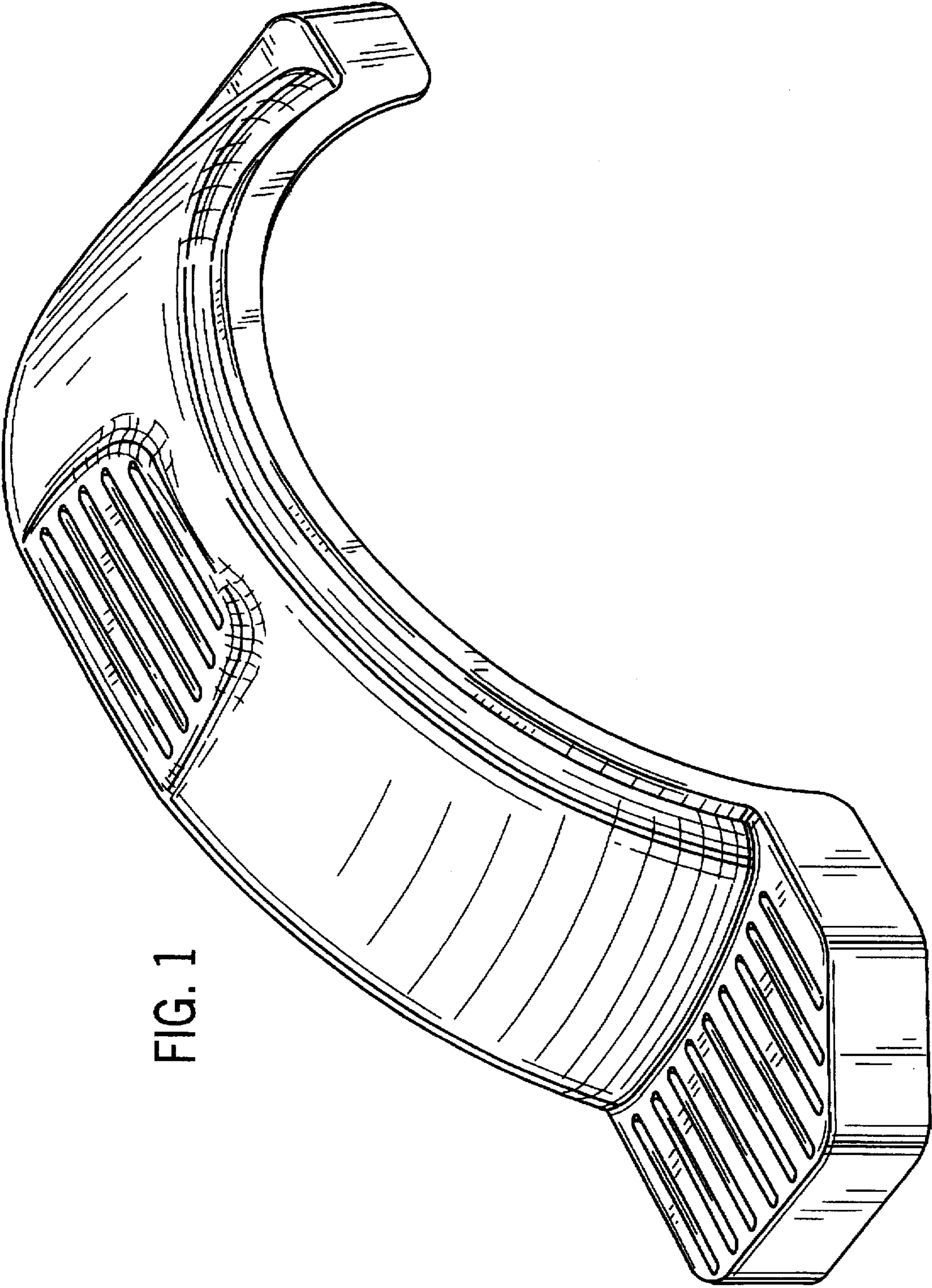


FIG. 1

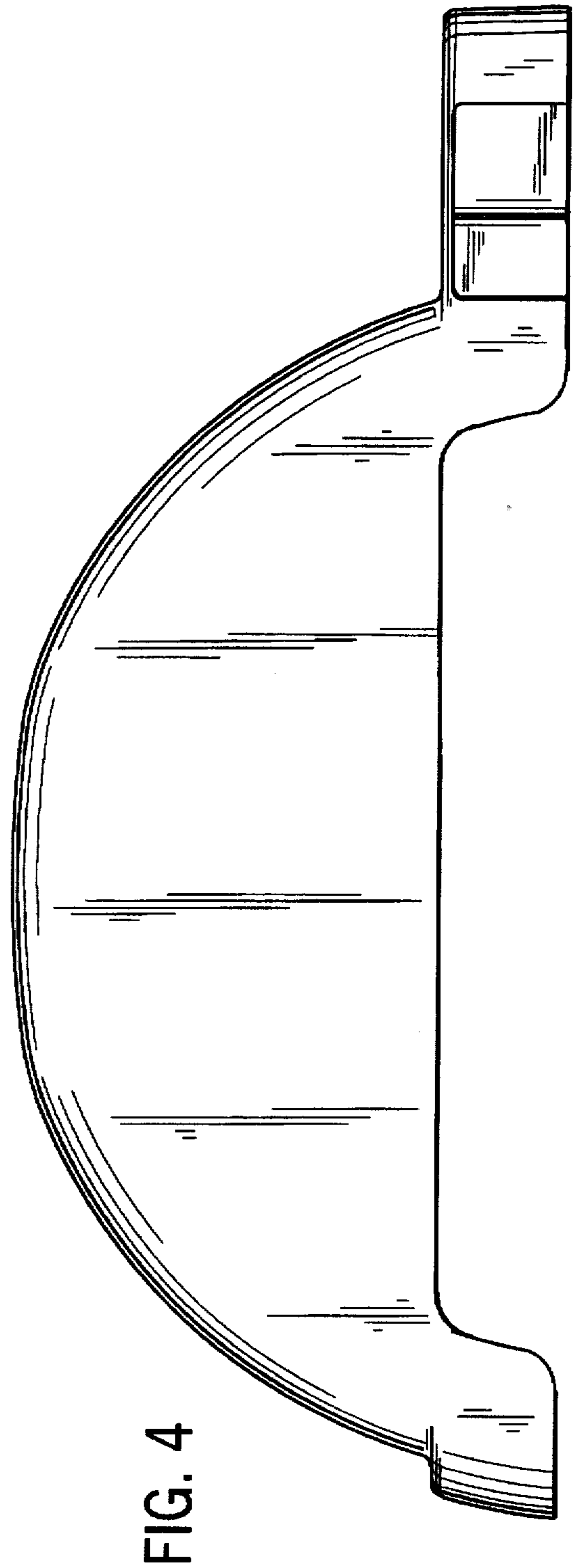
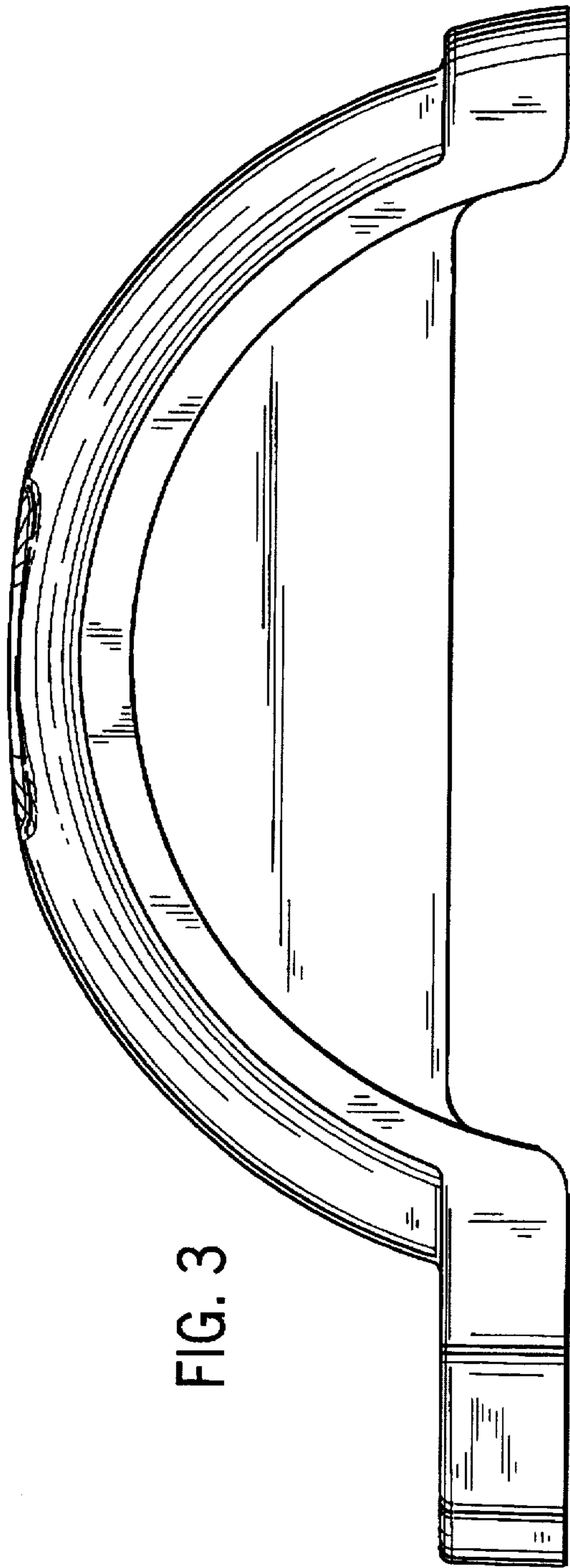


FIG. 2

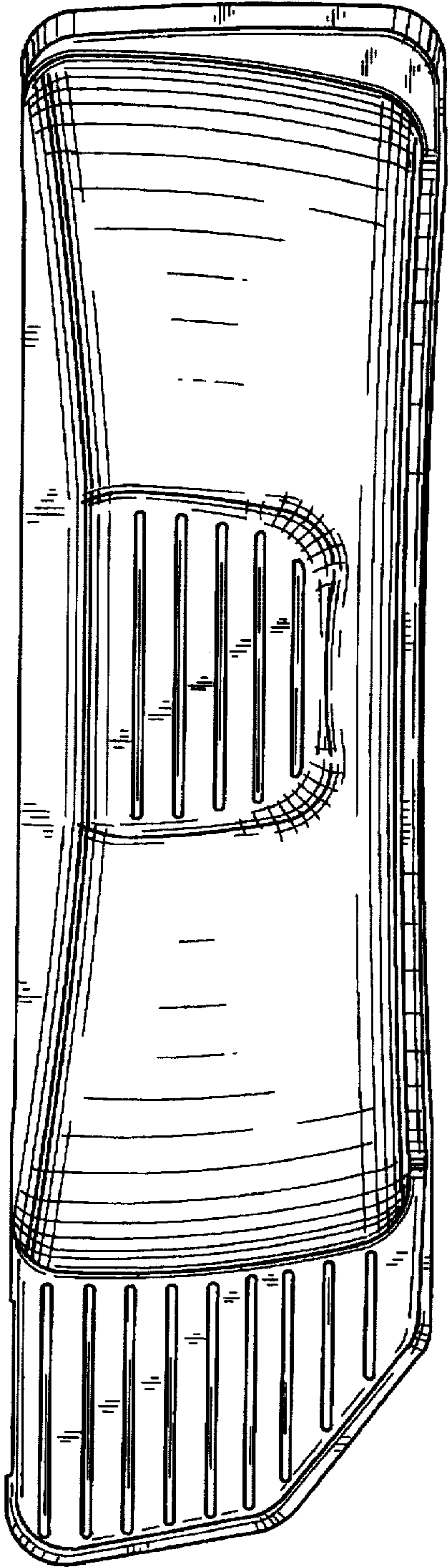


FIG. 5

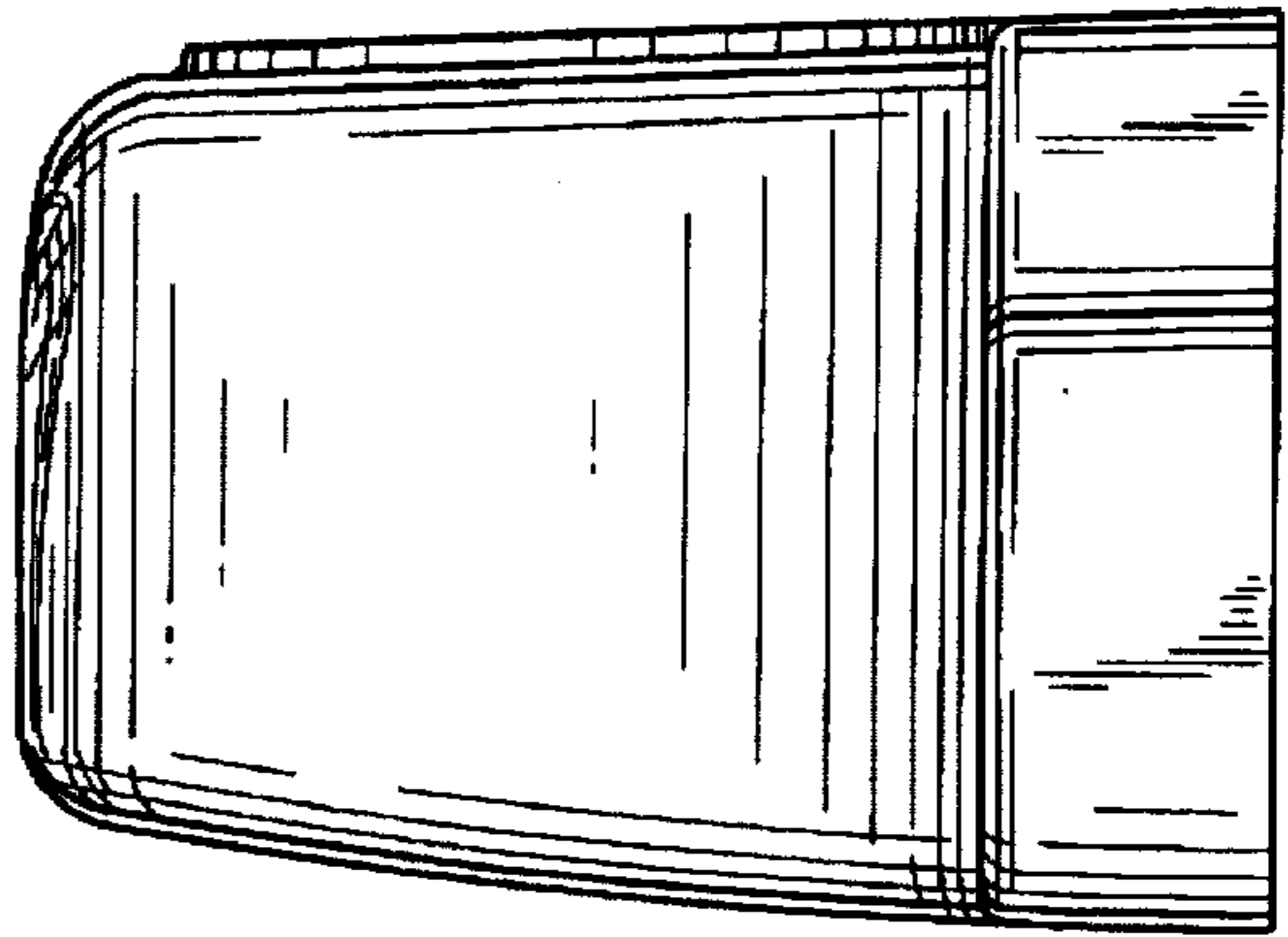


FIG. 6

