



US00D386129S

# United States Patent [19]

[11] Patent Number: Des. 386,129

Jantz

[45] Date of Patent: \*\*Nov. 11, 1997

[54] **LOADER PIVOT ARM FOR LOADING OR STEERED VEHICLES**

2,551,040	5/1951	Newell	280/47.331
3,903,977	9/1975	Gillette	180/6.2
5,078,821	1/1992	Rewitzer	180/6.2
5,267,746	12/1993	Stevenson	280/414.2

[76] Inventor: Kirby L. Jantz, 720 N. Anna, Wichita, Kans. 67212

Primary Examiner—Melody N. Brown  
Attorney, Agent, or Firm—Richard P. Stitt

[\*\*] Term: 14 Years

[57] **CLAIM**

[21] Appl. No.: 50,673

The ornamental design for a loader pivot arm for loading or steered vehicles, as shown and described.

[22] Filed: Feb. 22, 1996

**DESCRIPTION**

[51] LOC (6) Cl. .... 12-10

[52] U.S. Cl. .... D12/106; D34/28

[58] Field of Search ..... D12/106, 101;  
D34/27, 28; 280/414.1-414.3, 47.331, 79.7;  
114/344

FIG. 1 is a left side and front perspective view of the loader pivot arm for loading or steered vehicles showing my new design;

FIG. 2 is a left side elevational view thereof;

FIG. 3 is a right side elevational view thereof;

FIG. 4 is a front elevational view thereof;

FIG. 5 is a rear elevational view thereof;

FIG. 6 is a top plan view thereof; and,

FIG. 7 is a bottom plan view thereof.

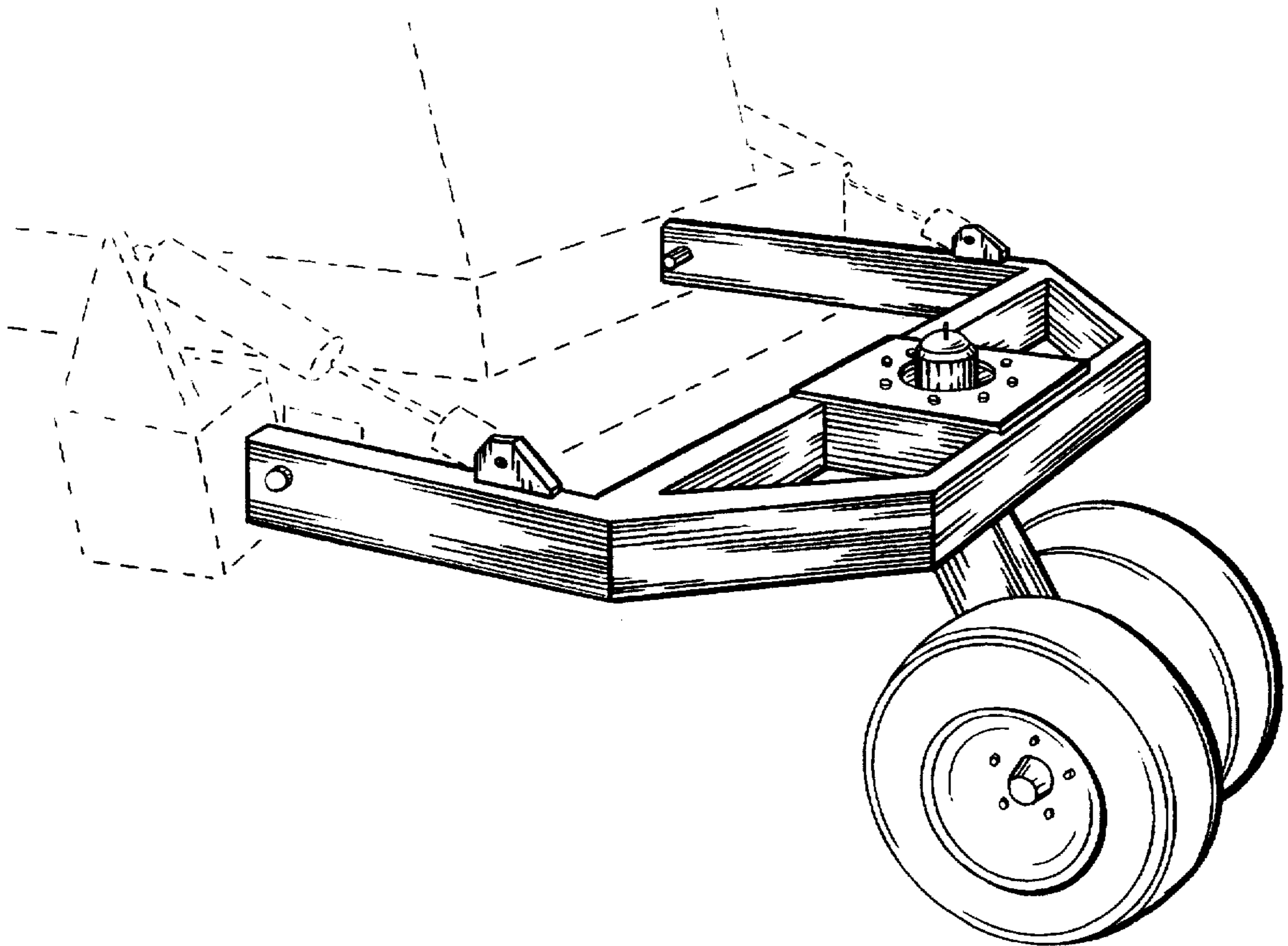
The broken lines shown in FIG. 1 are for illustrative purposes only and form no part of the claimed design.

[56] **References Cited**

**U.S. PATENT DOCUMENTS**

D. 211,013	5/1968	Watson	D12/106 X
D. 281,312	11/1985	Russell	D12/101
D. 310,799	9/1990	van der Merwe et al.	D12/106
D. 340,340	10/1993	Allen	D34/28
D. 358,920	5/1995	Peterman	D34/28
D. 364,020	11/1995	Wang	D34/27

1 Claim, 4 Drawing Sheets



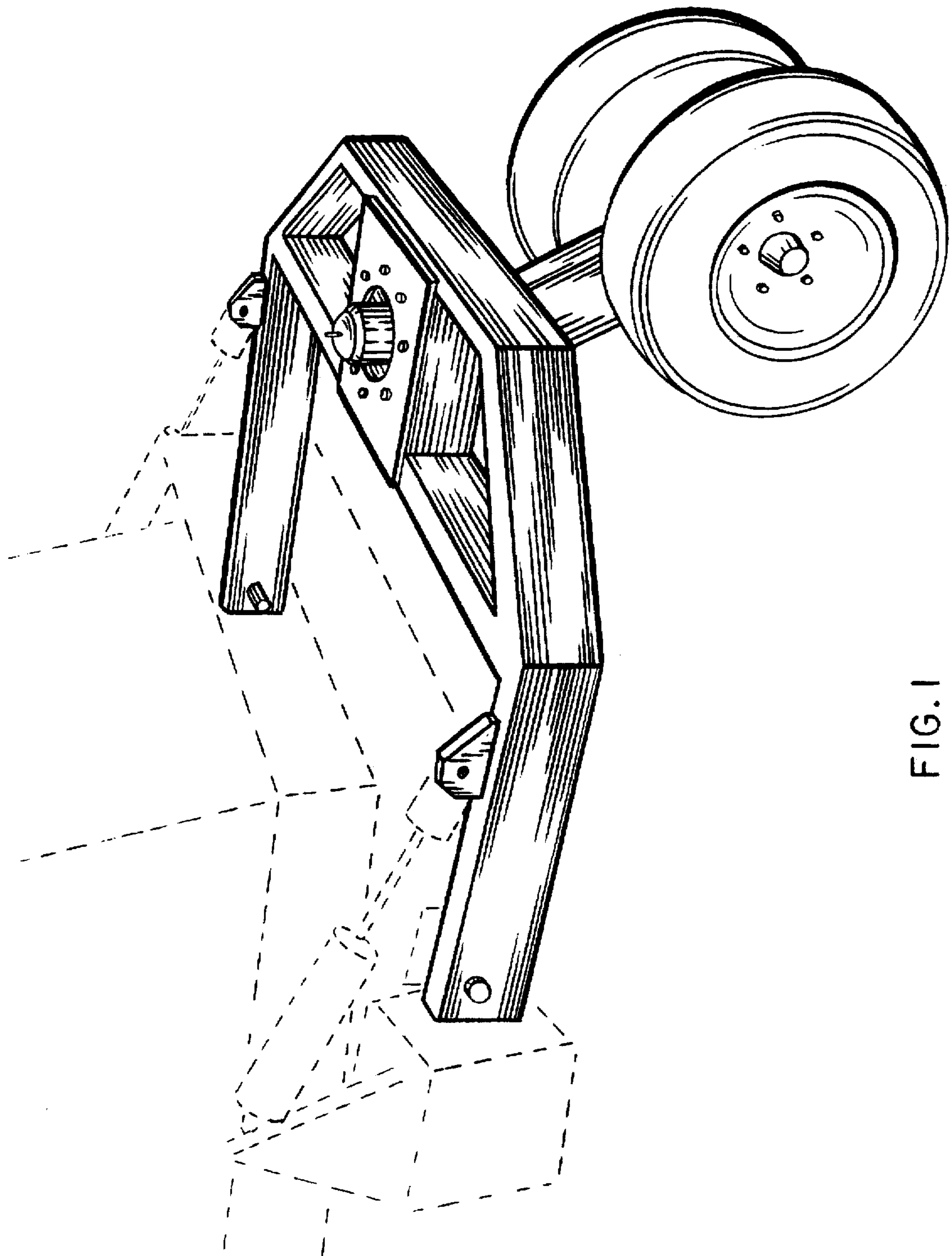


FIG. 1

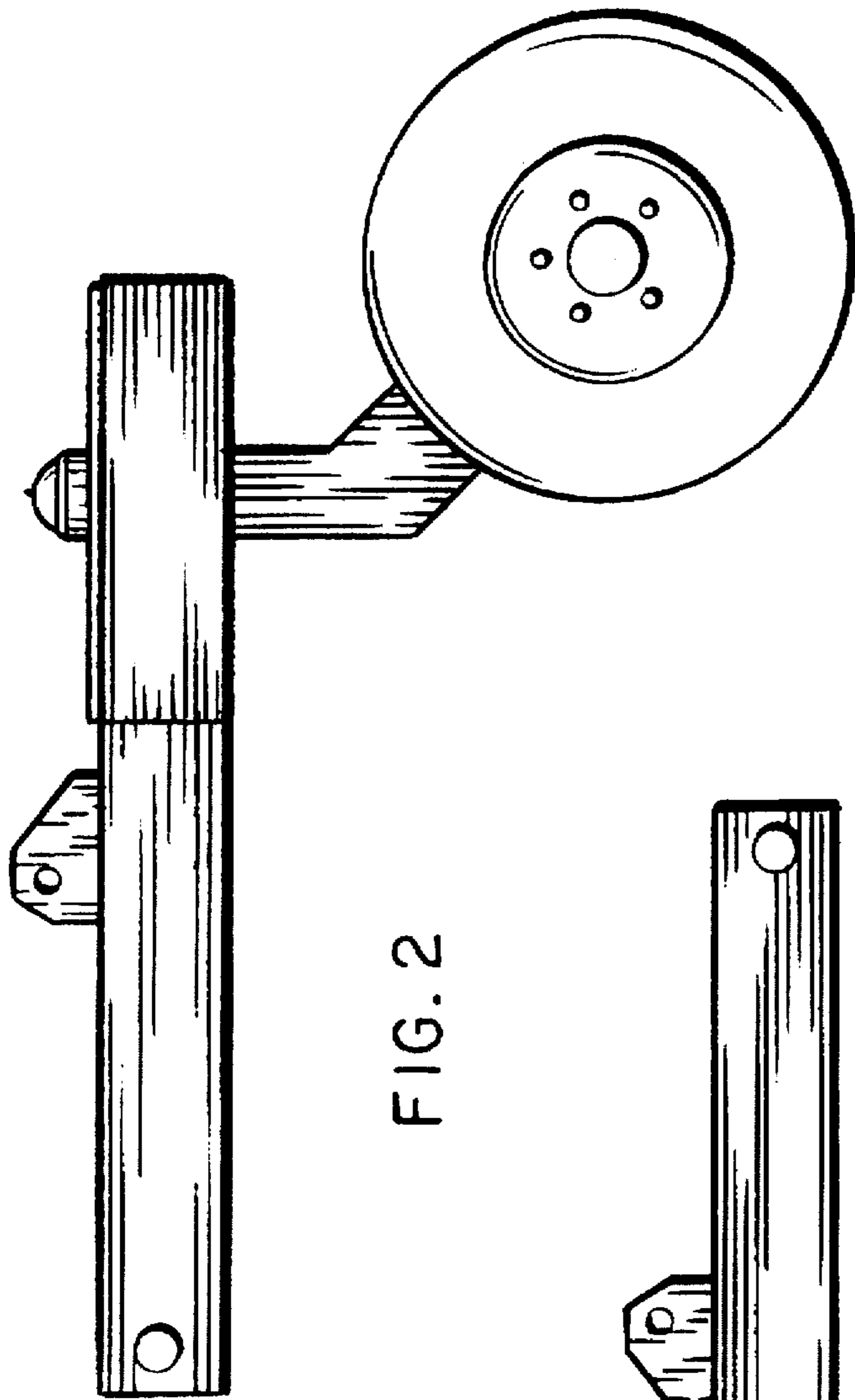


FIG. 2

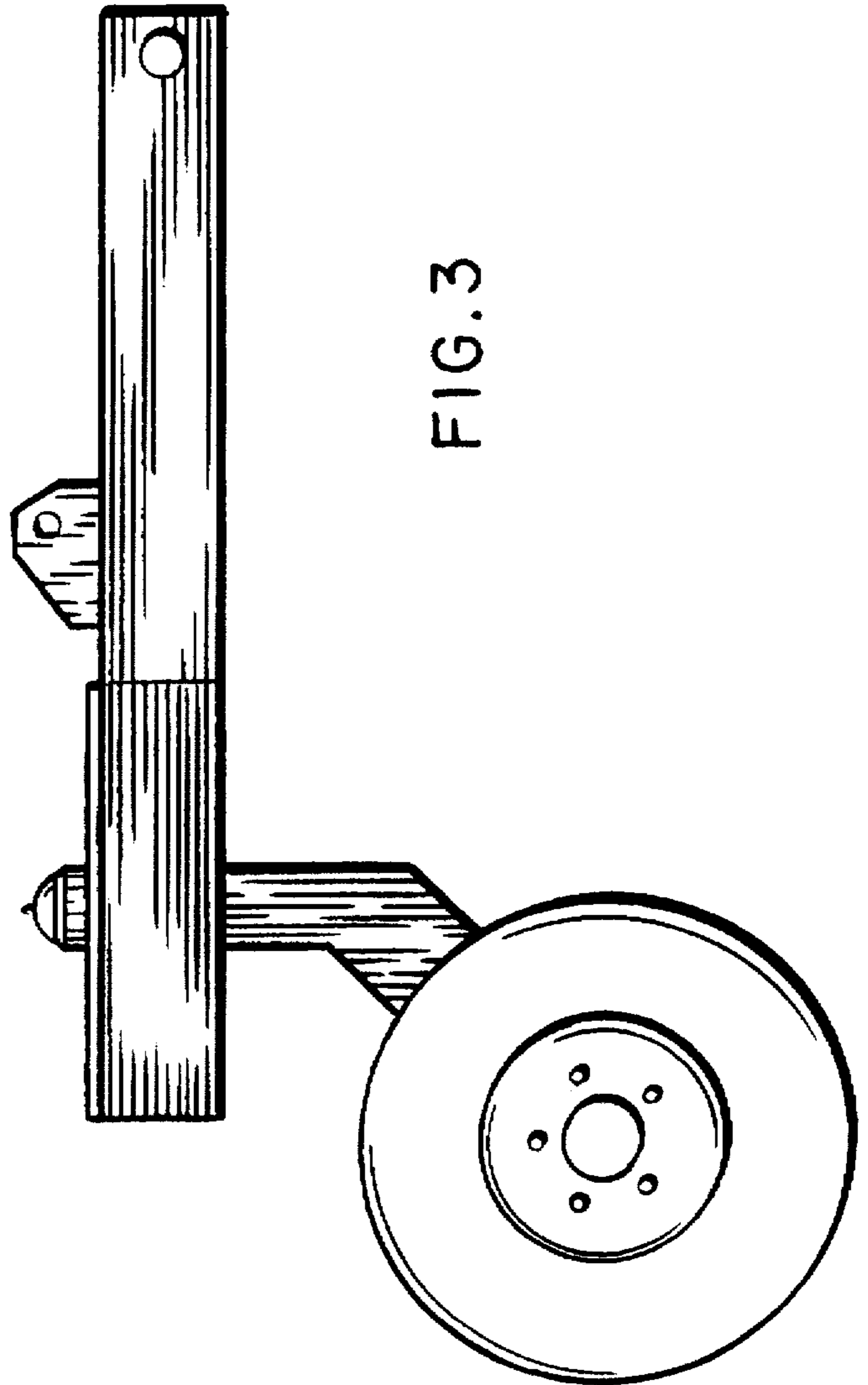


FIG. 3

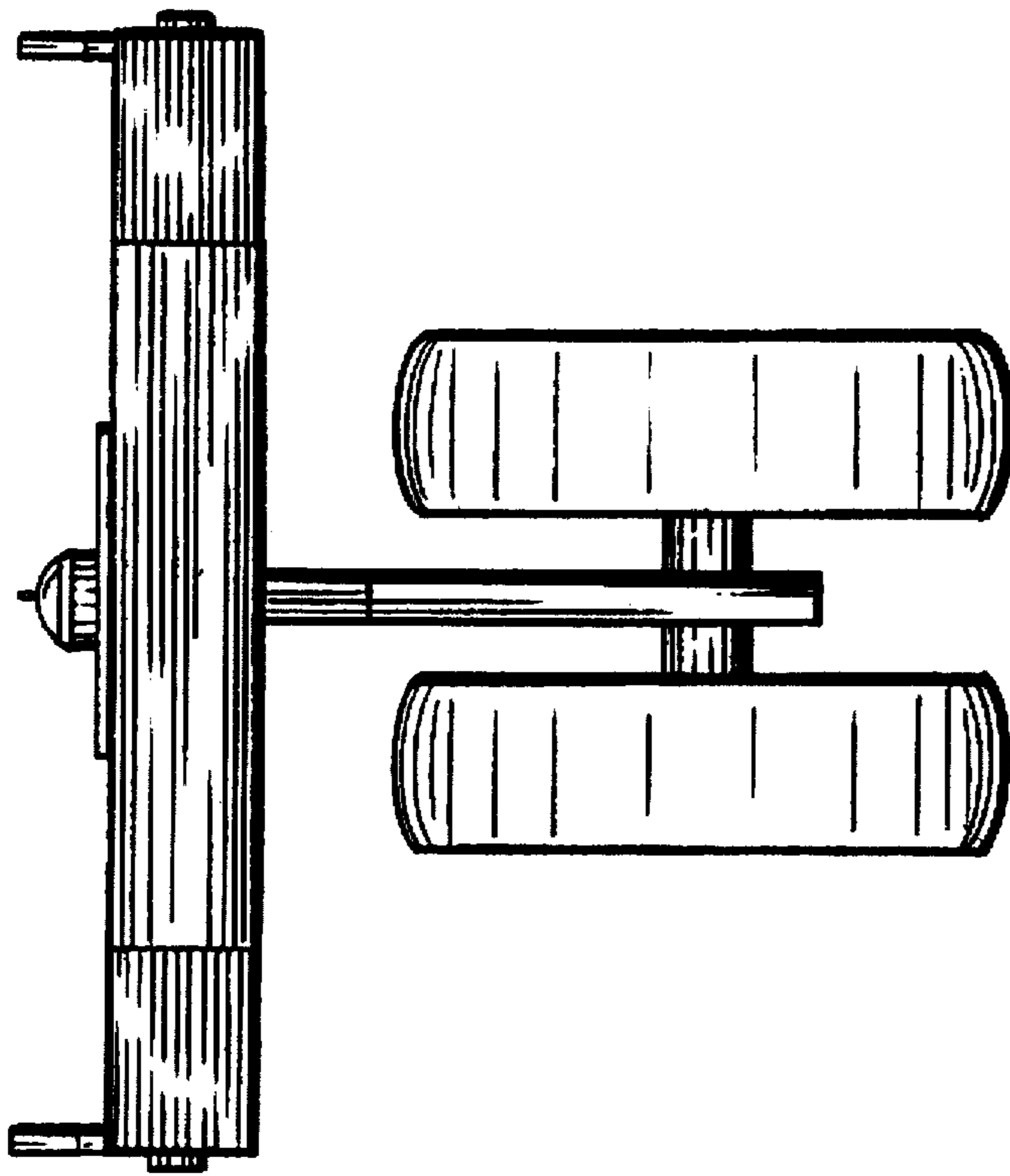


FIG. 4

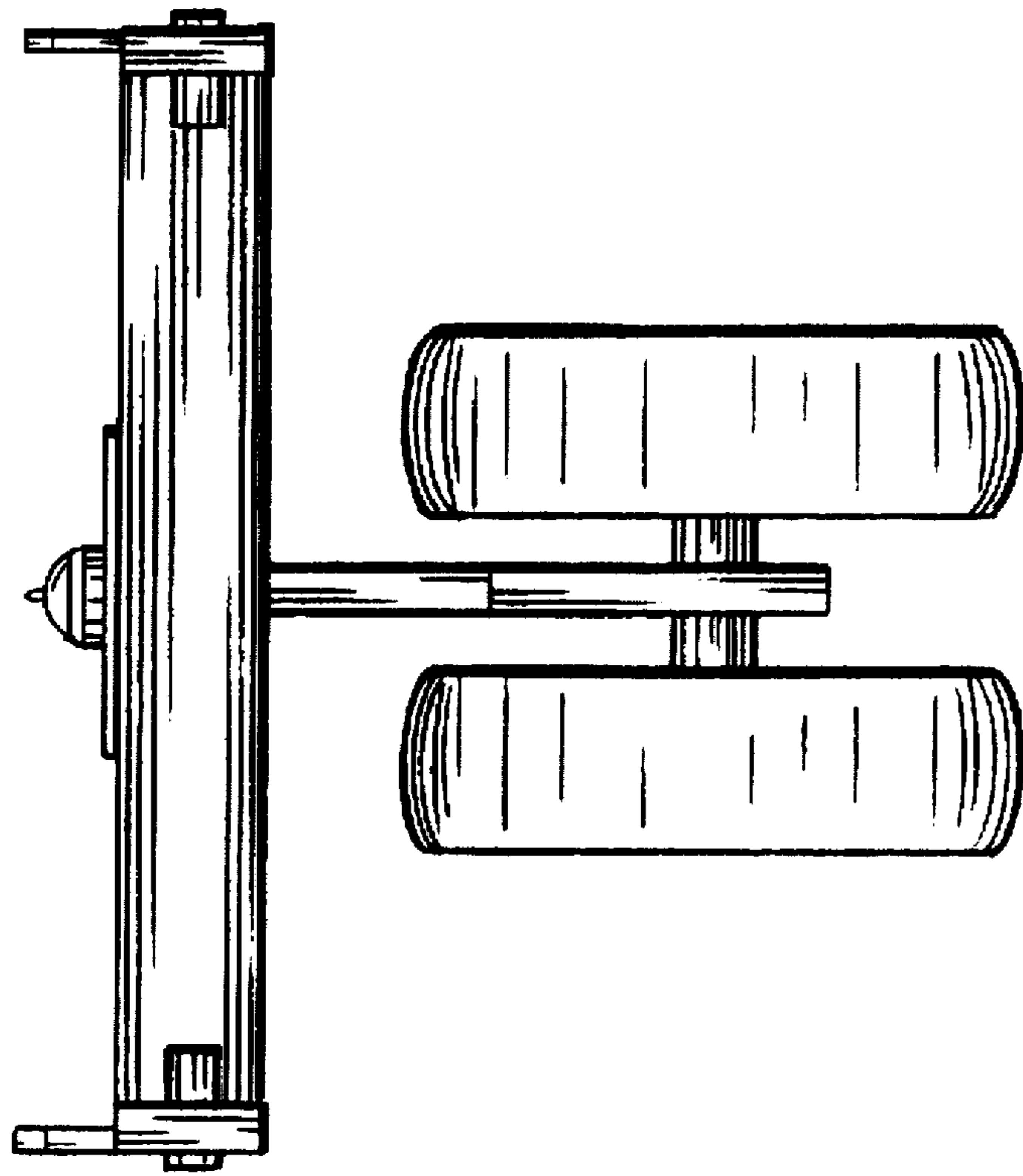


FIG. 5

