



US00D386128S

United States Patent [19]
Gerding et al.

[11] **Patent Number:** **Des. 386,128**
[45] **Date of Patent:** ****Nov. 11, 1997**

[54] **DUMP TRUCK BODY**
[75] **Inventors:** **Ronald Bernard Gerding**, Florance, Ala.; **Russell Alvin Watson**, Ooltewah, Tenn.

[73] **Assignee:** **The Heil Co.**, Chattanooga, Tenn.
[**] **Term:** **14 Years**

[21] **Appl. No.:** **61,949**
[22] **Filed:** **Nov. 4, 1996**

[51] **LOC (6) Cl.** **12-08**
[52] **U.S. Cl.** **D12/93; D12/15**
[58] **Field of Search** **D12/93, 94, 15; 414/476, 477, 480; 298/11, 30, 23 C, 23 M, 31, 32; 296/56, 57.1, 52, 51**

[56] **References Cited**
U.S. PATENT DOCUMENTS

D. 231,916 6/1974 Smith D12/96

D. 309,816 8/1990 Morrow, Sr. D12/15
D. 349,872 8/1994 Chaseling D12/15
4,696,517 9/1987 Nagano 298/11
5,193,968 3/1993 Hicks 414/477 X

Primary Examiner—Melody N. Brown
Attorney, Agent, or Firm—Alan Ruderman

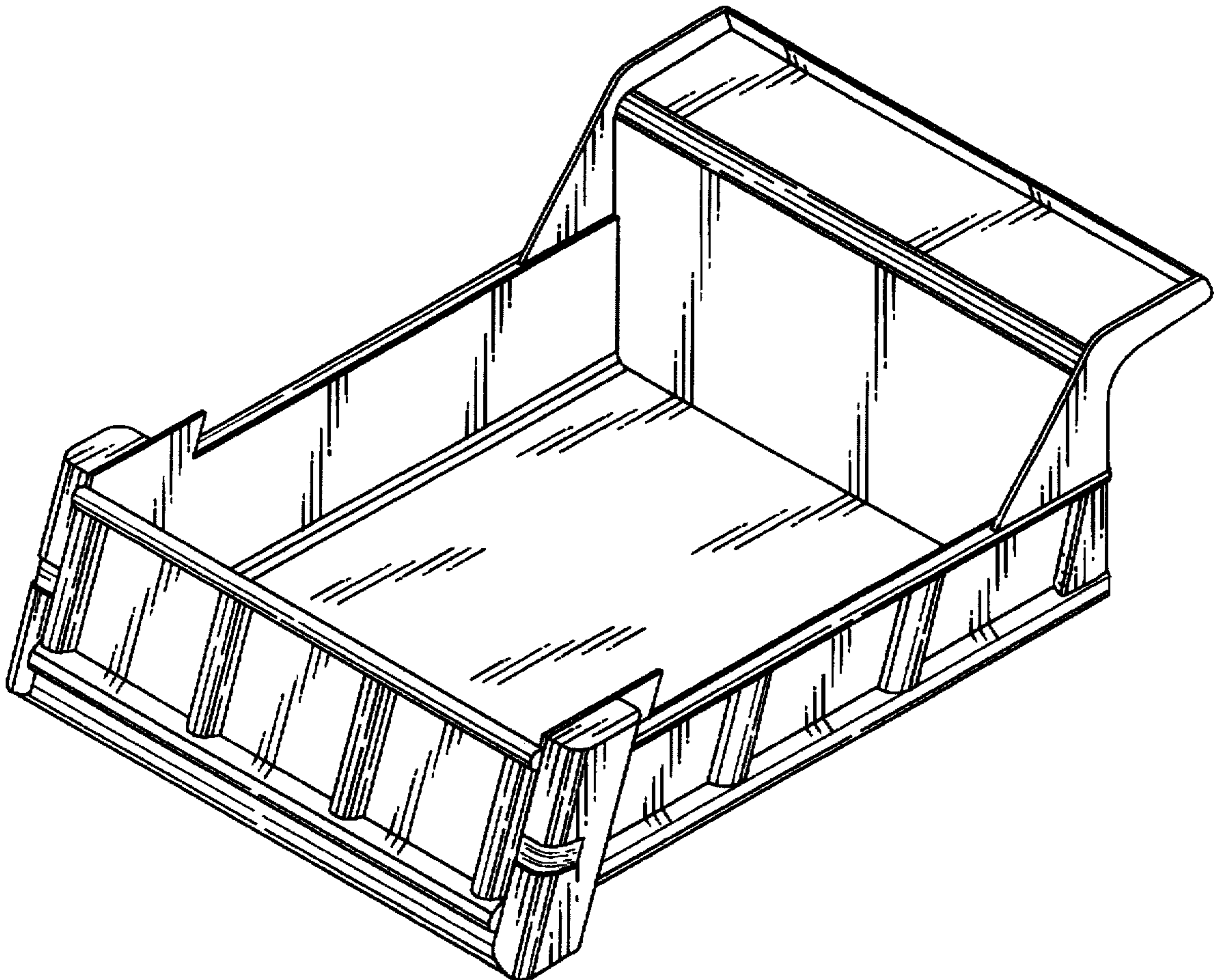
[57] **CLAIM**

The ornamental design for a dump truck body, as shown and described.

DESCRIPTION

FIG. 1 is a rear perspective view of a dump truck body embodying our new design;
FIG. 2 is a side elevational view of one side thereof, the other side being a mirror image;
FIG. 3 is a top plan view thereof;
FIG. 4 is a rear elevational view thereof;
FIG. 5 is a front elevational view thereof; and,
FIG. 6 is a bottom plan view thereof.

1 Claim, 3 Drawing Sheets



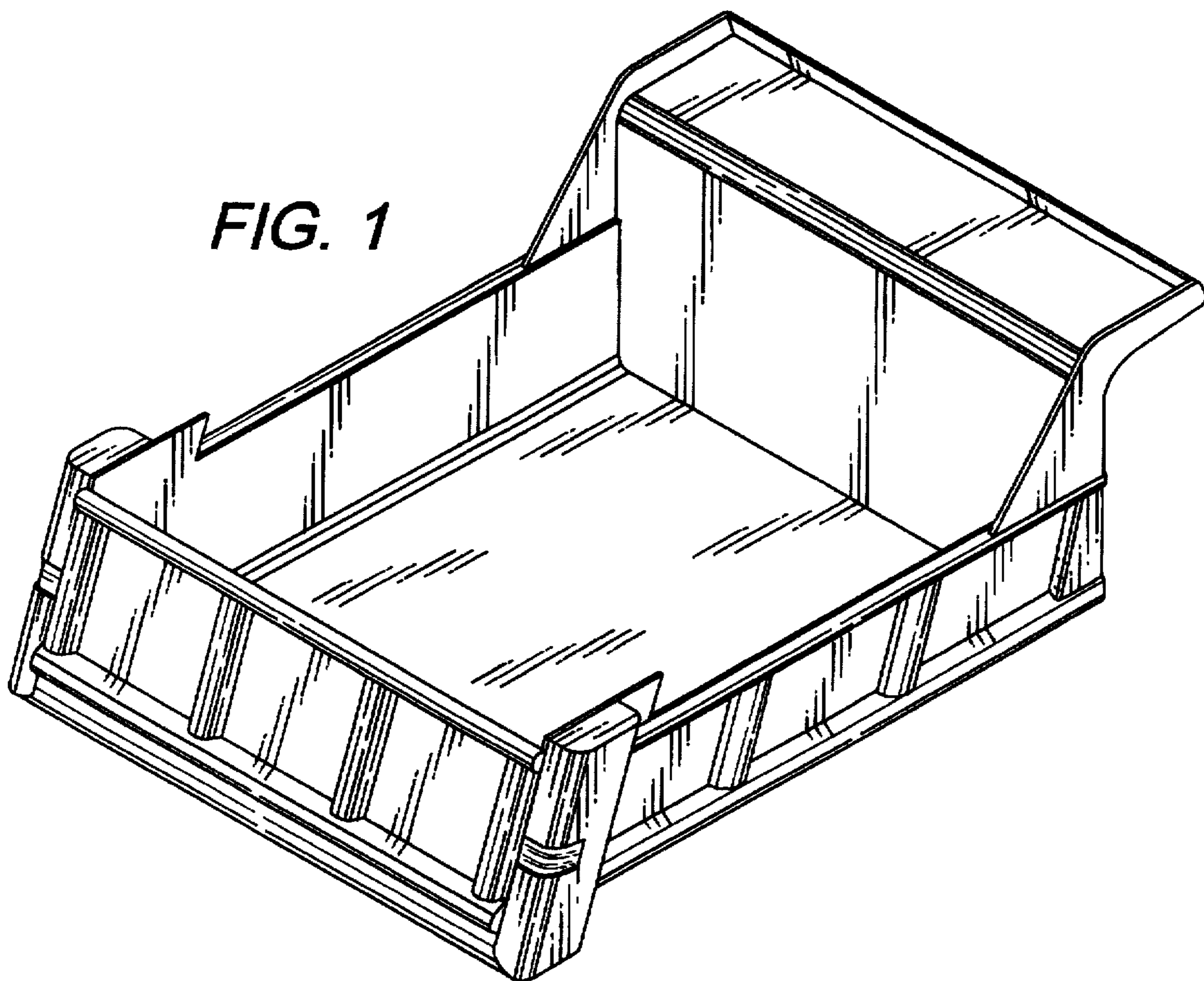


FIG. 1

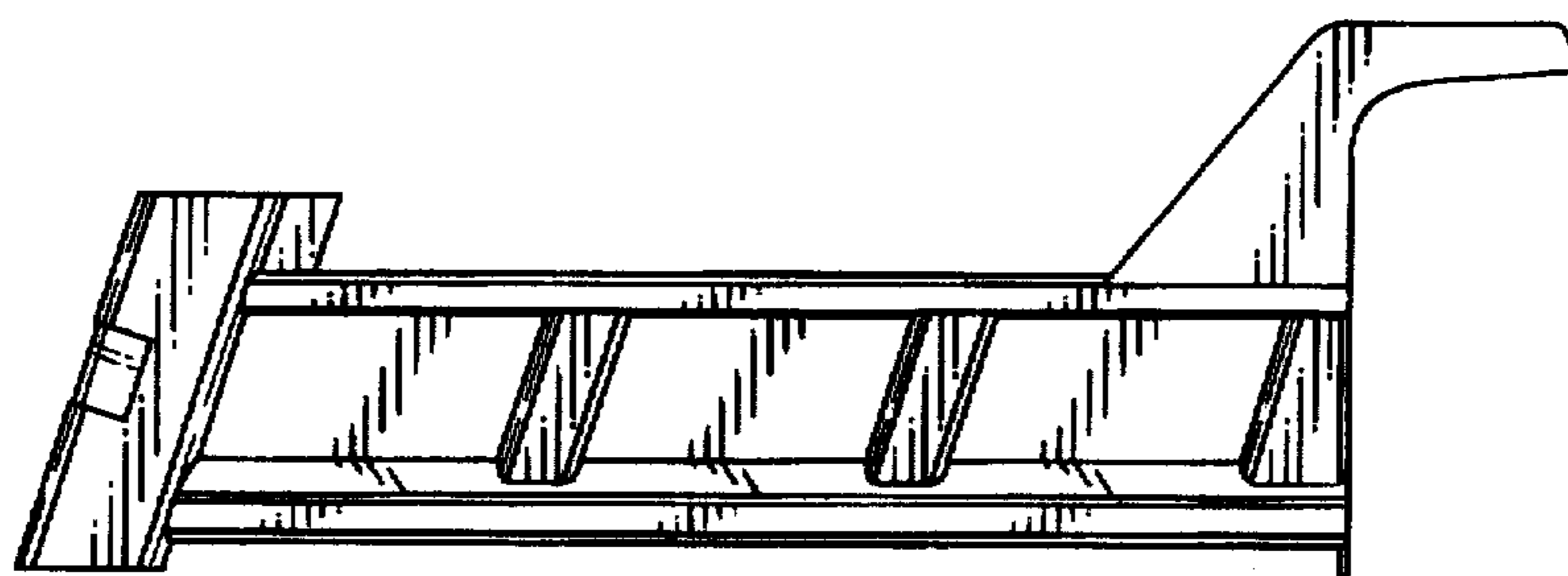


FIG. 2

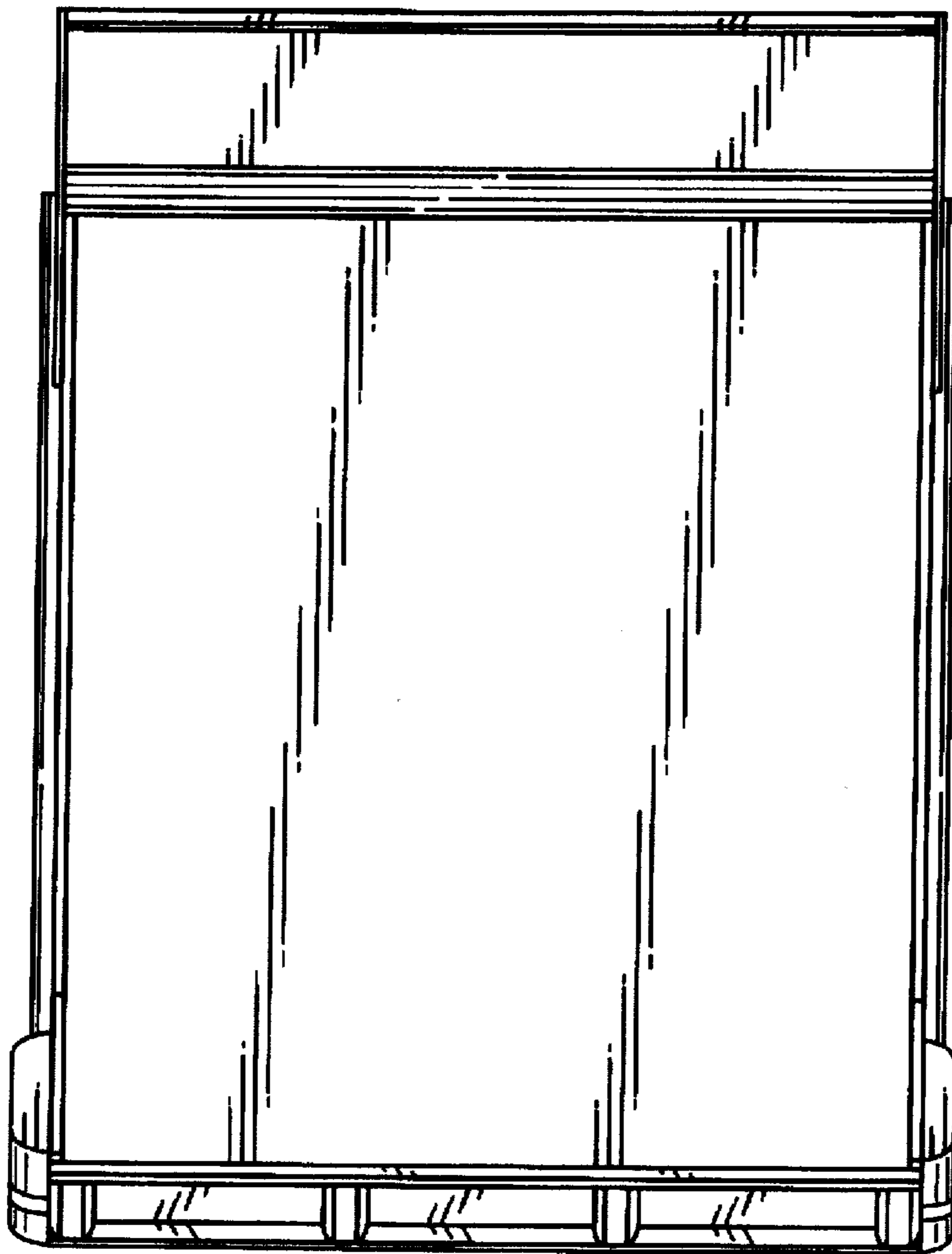


FIG. 3

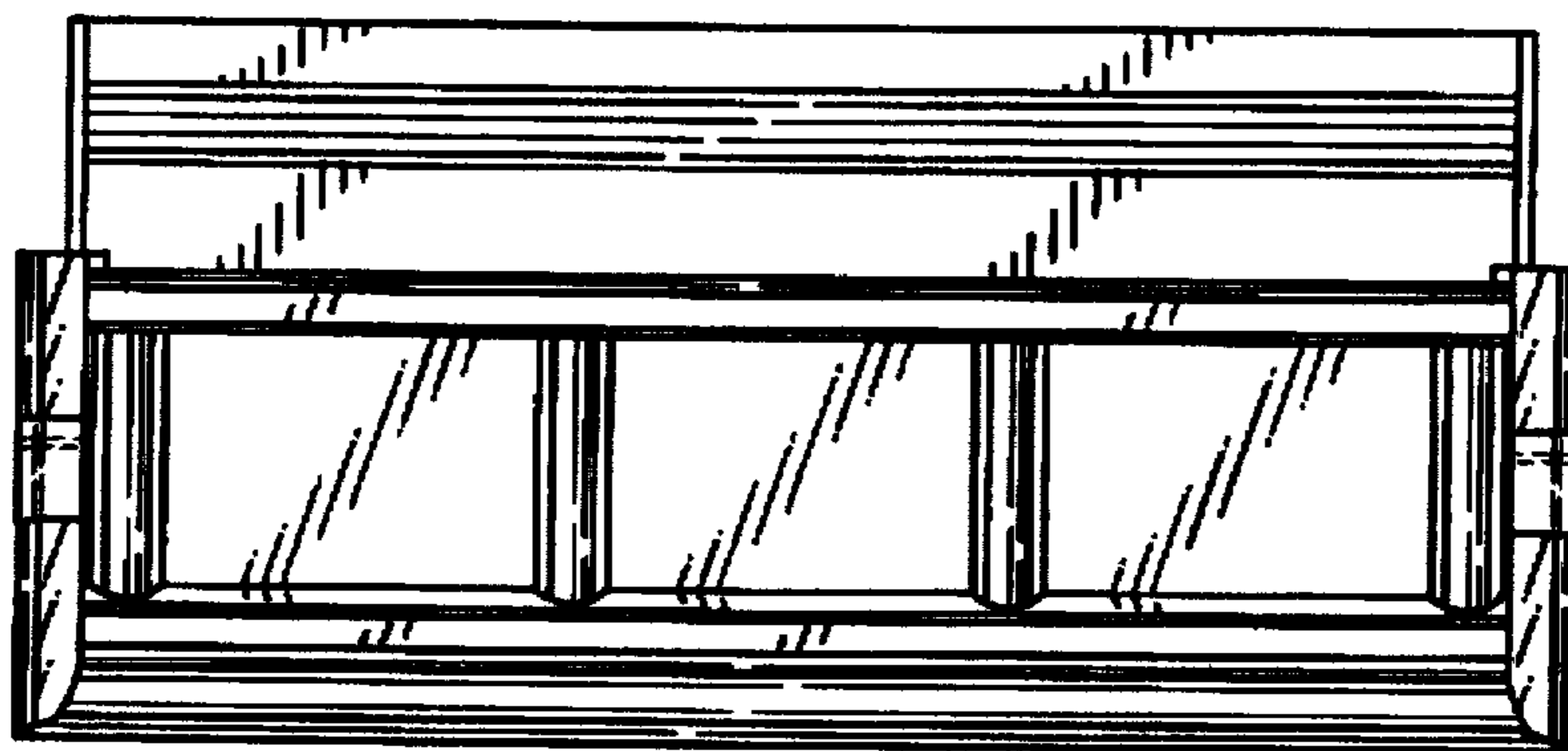


FIG. 4

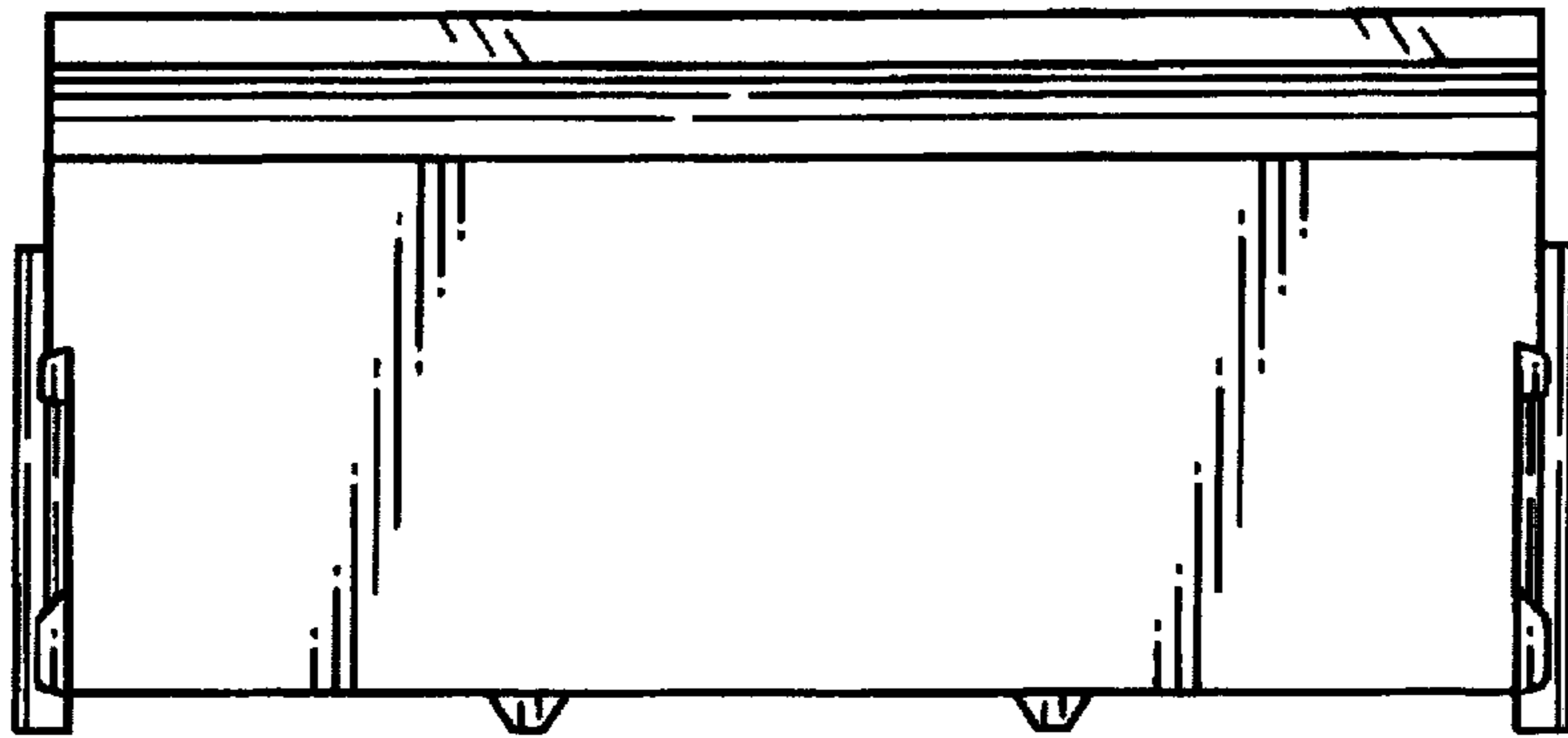


FIG. 5

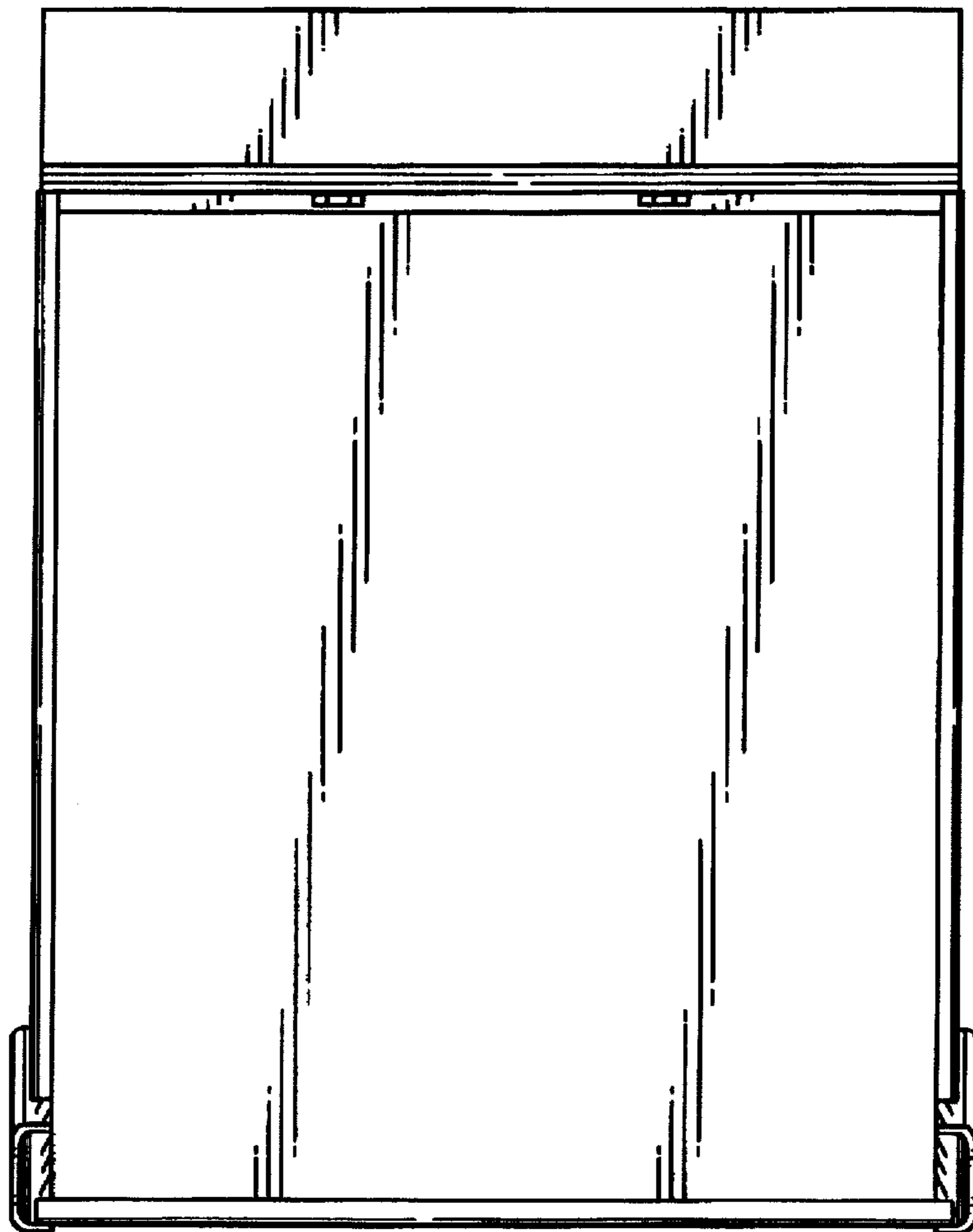


FIG. 6