



US00D386115S

United States Patent [19]
Vanschaik

[11] **Patent Number: Des. 386,115**
[45] **Date of Patent: **Nov. 11, 1997**

[54] **FLOWER TOWER**

[76] **Inventor: Hank J. Vanschaik, 501 Pine Alley, Pulaski, Va. 24301**

[**] **Term: 14 Years**

[21] **Appl. No.: 45,155**

[22] **Filed: Oct. 11, 1995**

[51] **LOC (6) Cl. 11-02**

[52] **U.S. Cl. D11/152**

[58] **Field of Search D11/143-146, D11/152, 155; D6/403, 405, 556; 47/30, 33, 66, 69, 75, 39, 41.01, 44; 206/423; 248/27.8; D19/77**

[56] **References Cited**

U.S. PATENT DOCUMENTS

D. 129,286 9/1941 Hayt D11/152 X
D. 205,595 8/1966 Titus D11/155 X

D. 207,915 6/1967 Zimmerman D11/152
D. 325,396 4/1992 Nascher D19/77 X
D. 367,408 2/1996 Fordyce D19/77 X

Primary Examiner—Caron D. Veynar
Attorney, Agent, or Firm—Michael I. Kroll

[57] **CLAIM**

The ornamental design for the flower tower, as shown and described.

DESCRIPTION

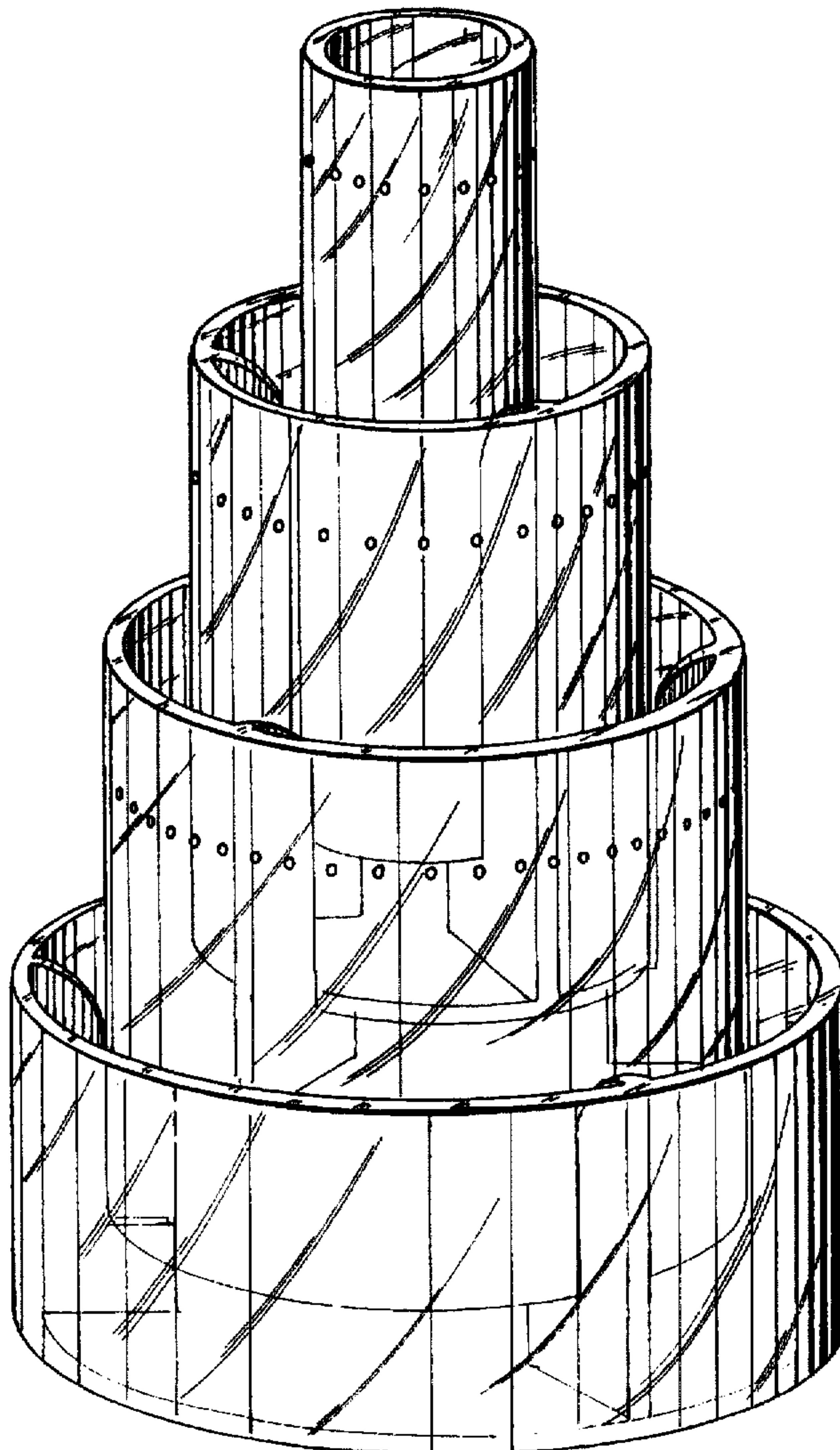
FIG. 1 is a front perspective view of the flower tower showing my new design;

FIG. 2 is a top plan view of the flower tower showing my new design;

FIG. 3 is a bottom plan view of the flower tower showing my new design; and,

FIG. 4 is a perspective view showing portions cut away.

1 Claim, 3 Drawing Sheets



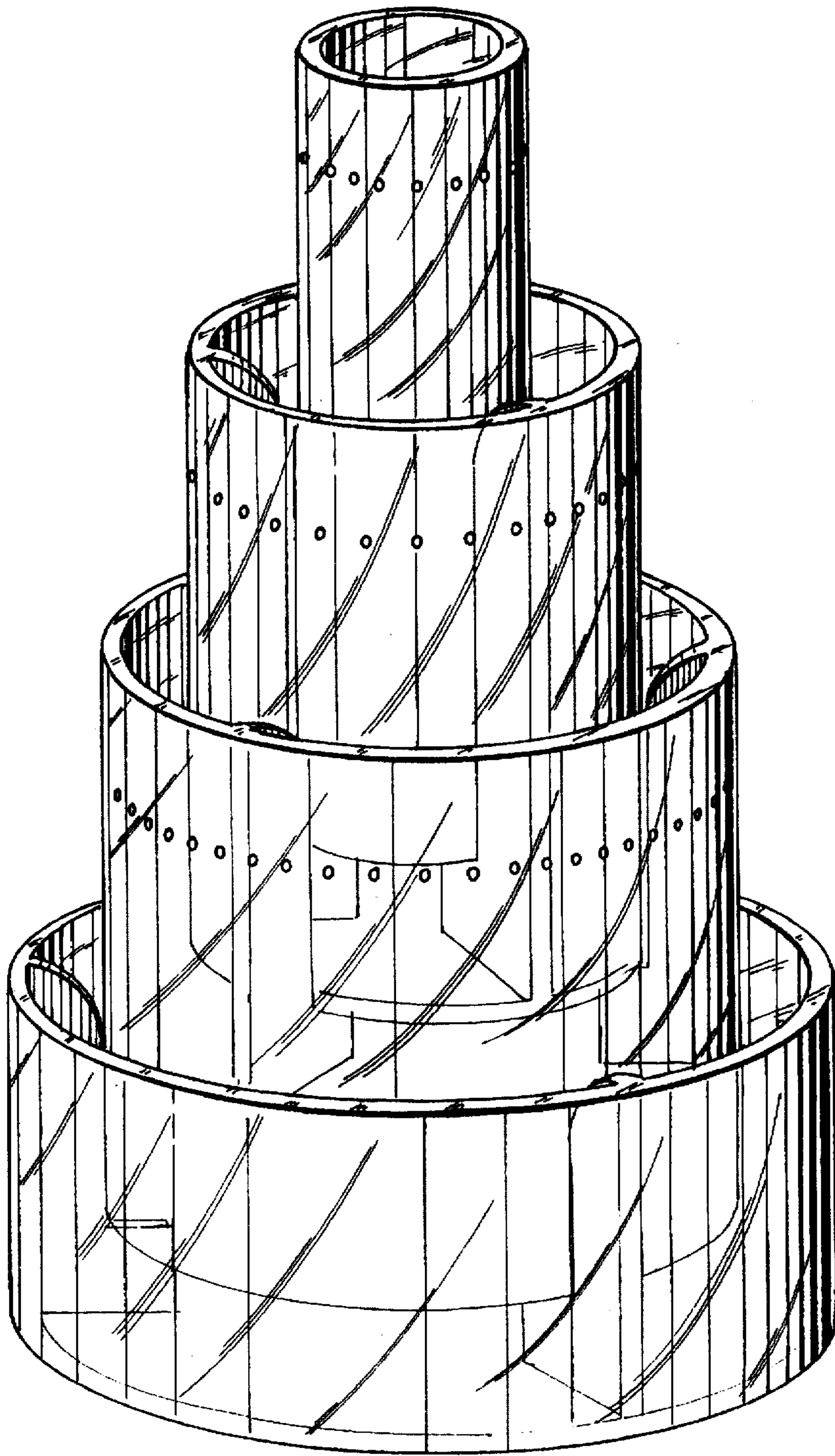


Fig. 1

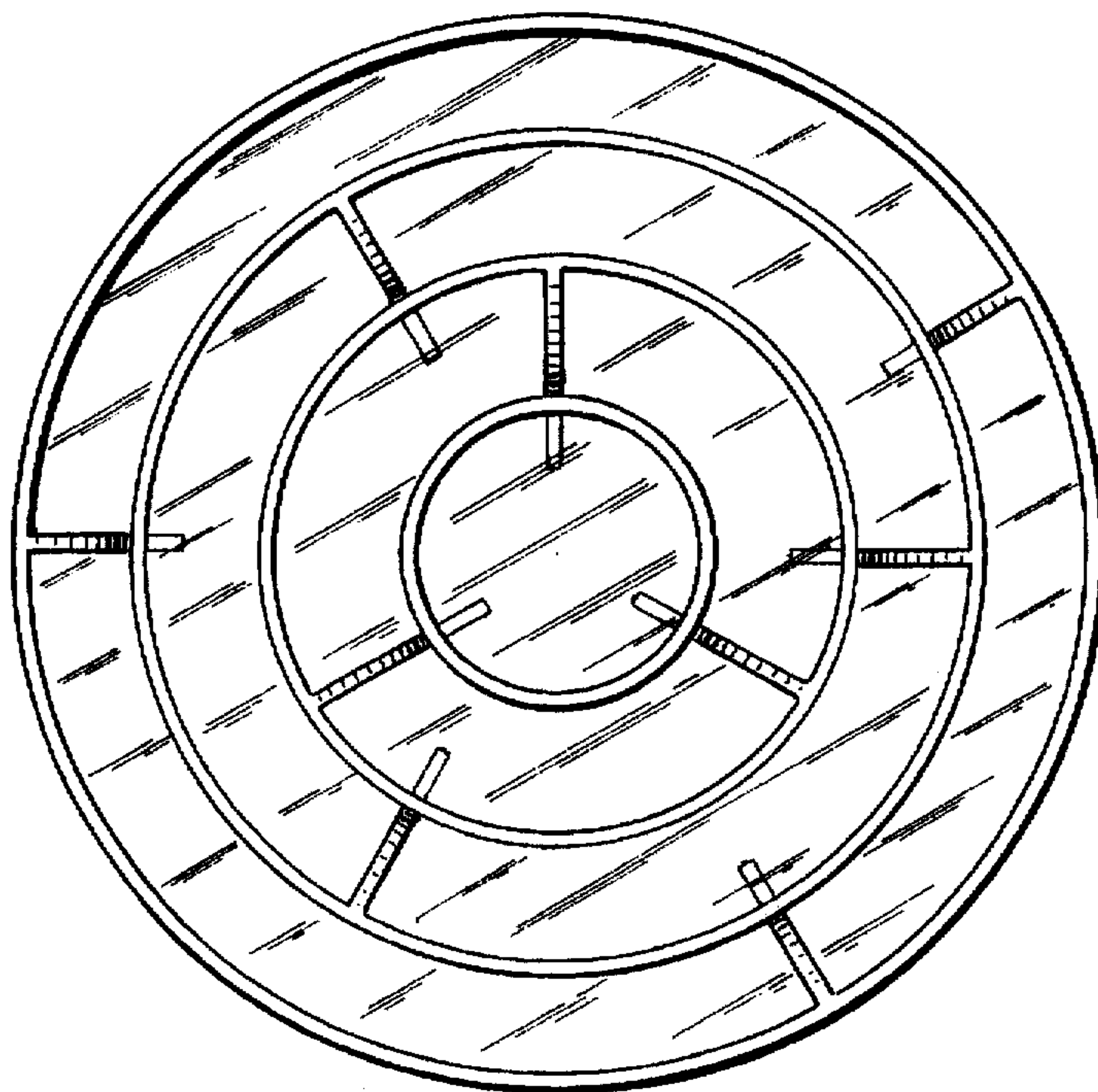


Fig. 2

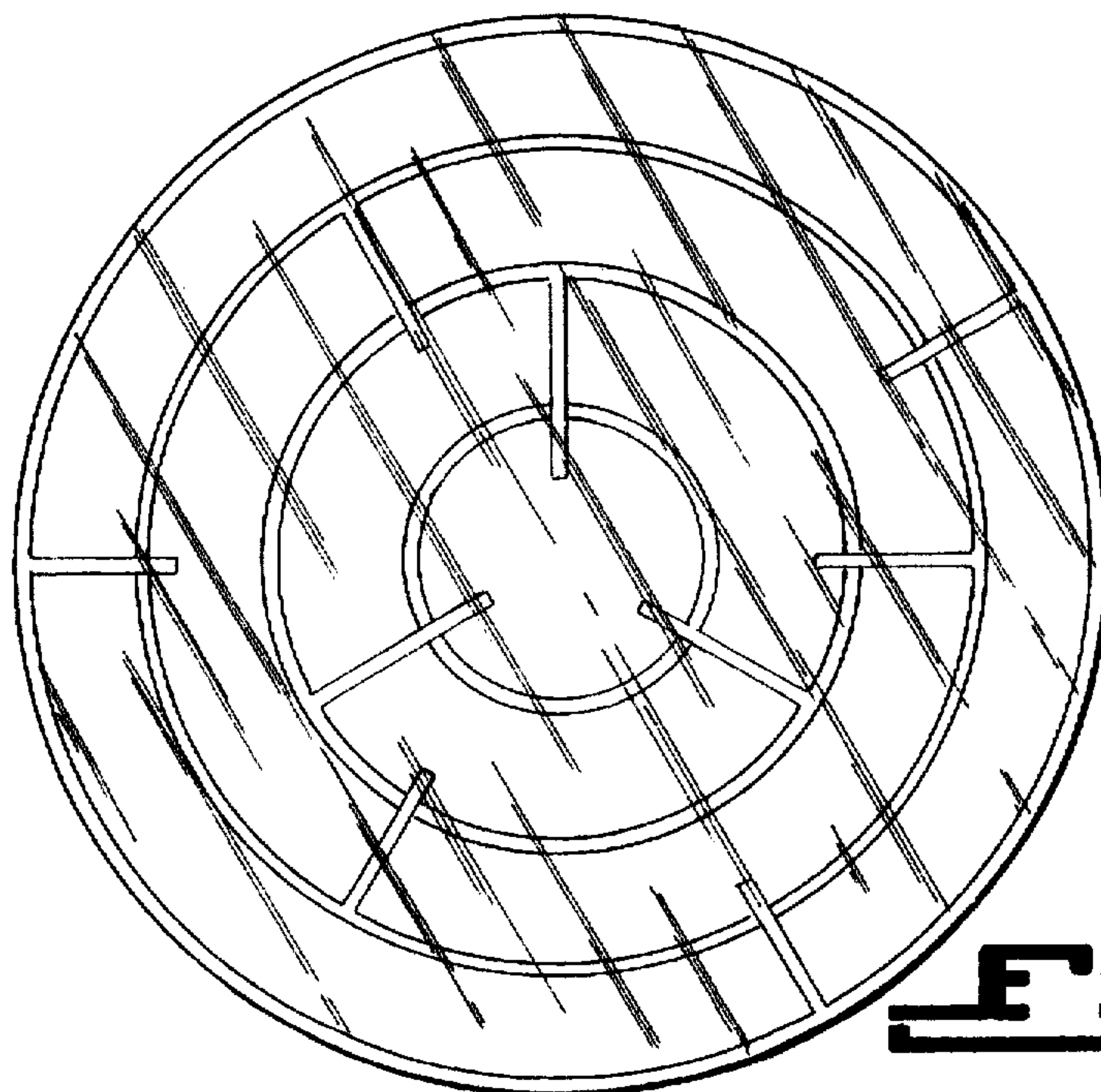


Fig. 3

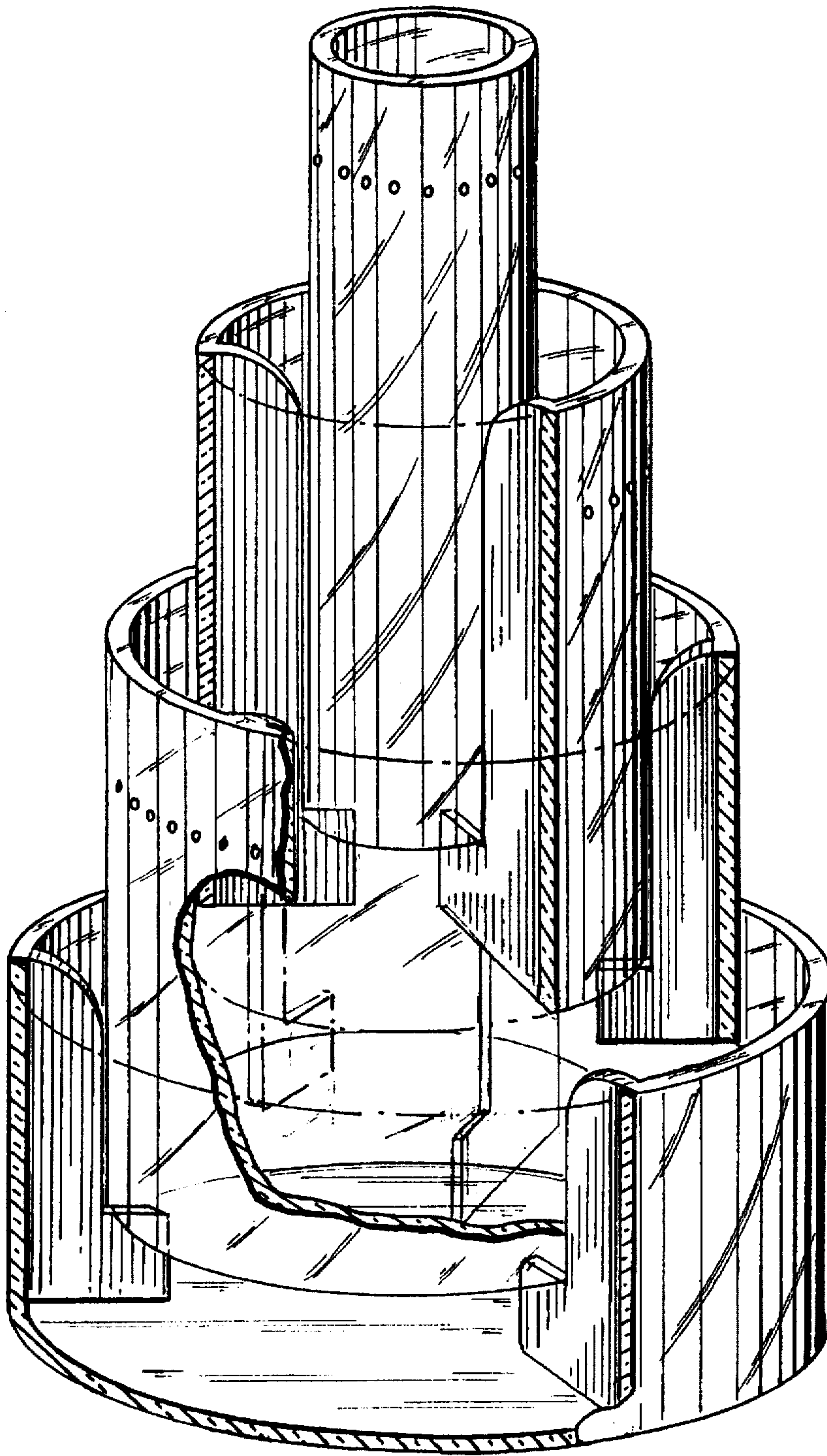


Fig. 4