



US00D386112S

United States Patent [19]
Wolf

[11] **Patent Number:** **Des. 386,112**
[45] **Date of Patent:** ****Nov. 11, 1997**

[54] **ORNAMENTAL TIME CAPSULE**
[75] **Inventor:** **Diana F. Wolf**, 12405 Park, Sugar
Creek, Mo. 64054
[73] **Assignees:** **Diana F. Wolf; Frank E. Wolf**, both of
Sugar Creek, Mo.
[**] **Term:** **14 Years**
[21] **Appl. No.:** **44,462**
[22] **Filed:** **Jan. 3, 1996**

[51] **LOC (6) Cl.** **11-02**
[52] **U.S. Cl.** **D11/131; D11/157; D19/97**
[58] **Field of Search** **D11/121, 131,**
D11/157, 160; D19/96, 97; D6/472; 428/13,
542.2

[56] **References Cited**
U.S. PATENT DOCUMENTS

D. 154,854 8/1949 Howard D11/157
D. 237,431 11/1975 Dean D6/472

D. 260,864 9/1981 Perry D11/157
D. 342,041 12/1993 Brennan D11/160
D. 348,378 7/1994 Crane D6/472 X
2,518,502 8/1950 Snyder 428/13
5,261,848 11/1993 Kaplan et al. 40/410 X
5,442,869 8/1995 McDarren et al. 40/410 X

Primary Examiner—Dominic Simone
Attorney, Agent, or Firm—Kokjer, Kircher, Bowman &
Johnson

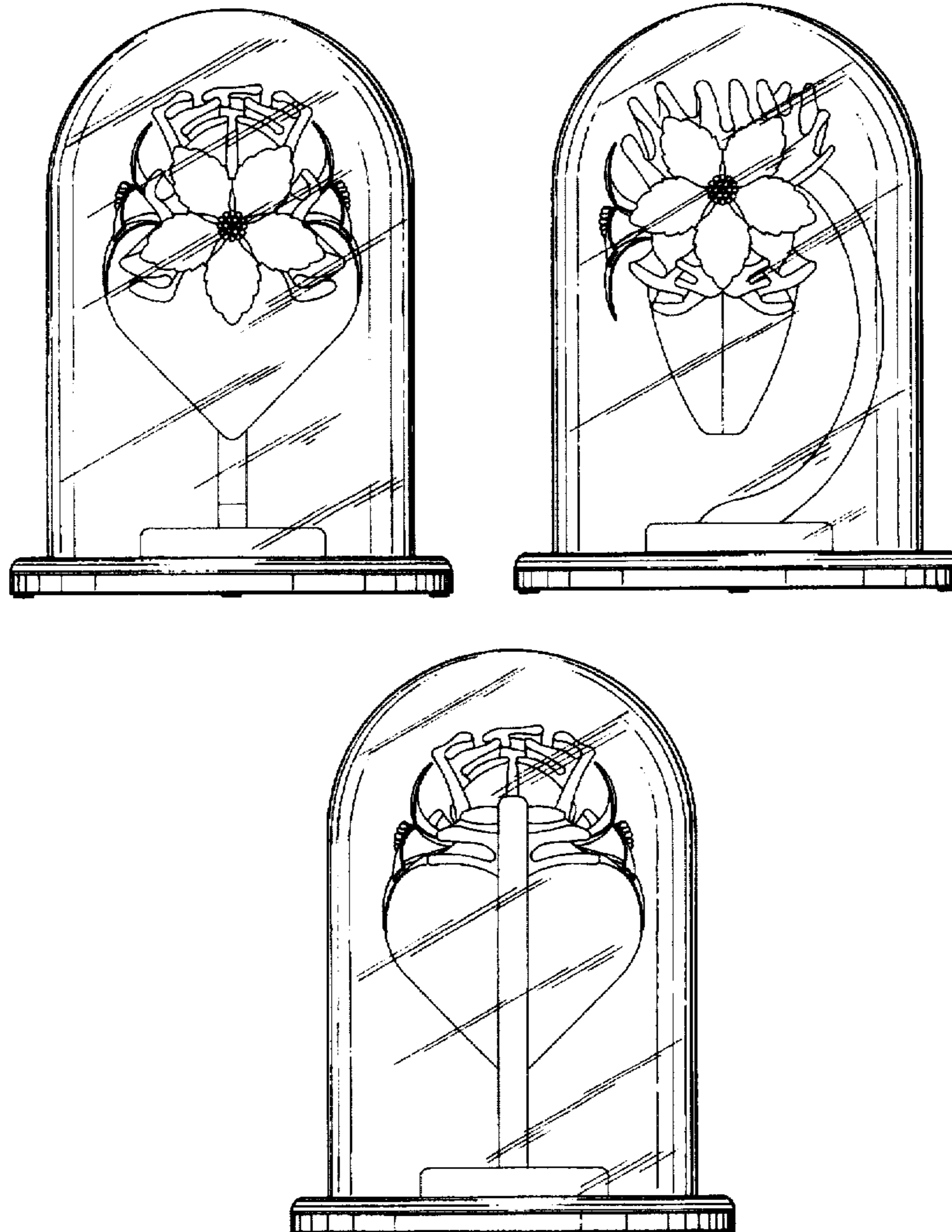
[57] **CLAIM**

The ornamental design for an ornamental time capsule, as shown and described.

DESCRIPTION

FIG. 1 is a front elevational view of an ornamental time capsule showing my new design;
FIG. 2 is a right side elevational view thereof, the left side being a mirror image;
FIG. 3 is a rear elevational view thereof;
FIG. 4 is a top plan view thereof; and,
FIG. 5 is a bottom plan view thereof.

1 Claim, 1 Drawing Sheet



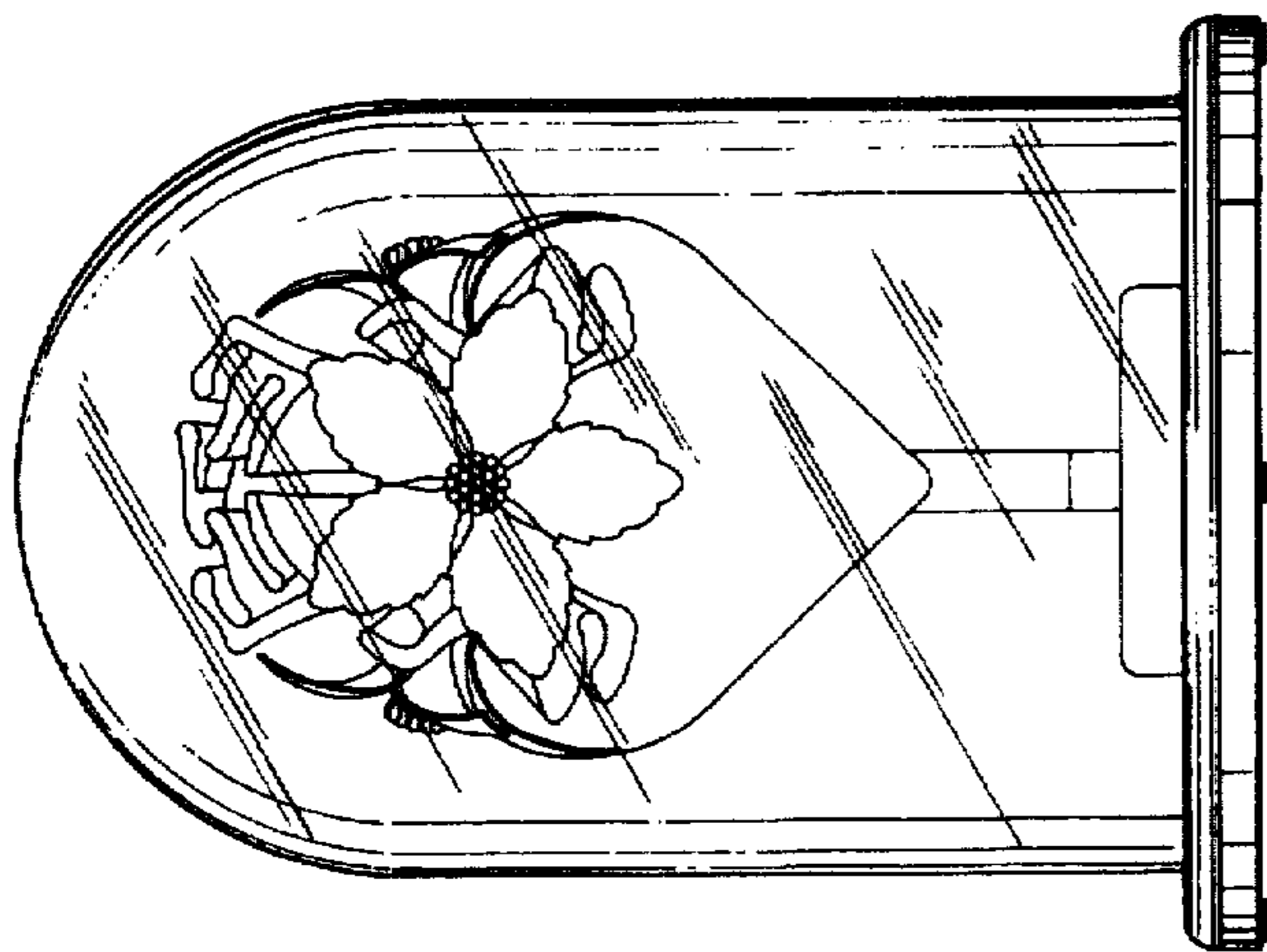


Fig. 1.

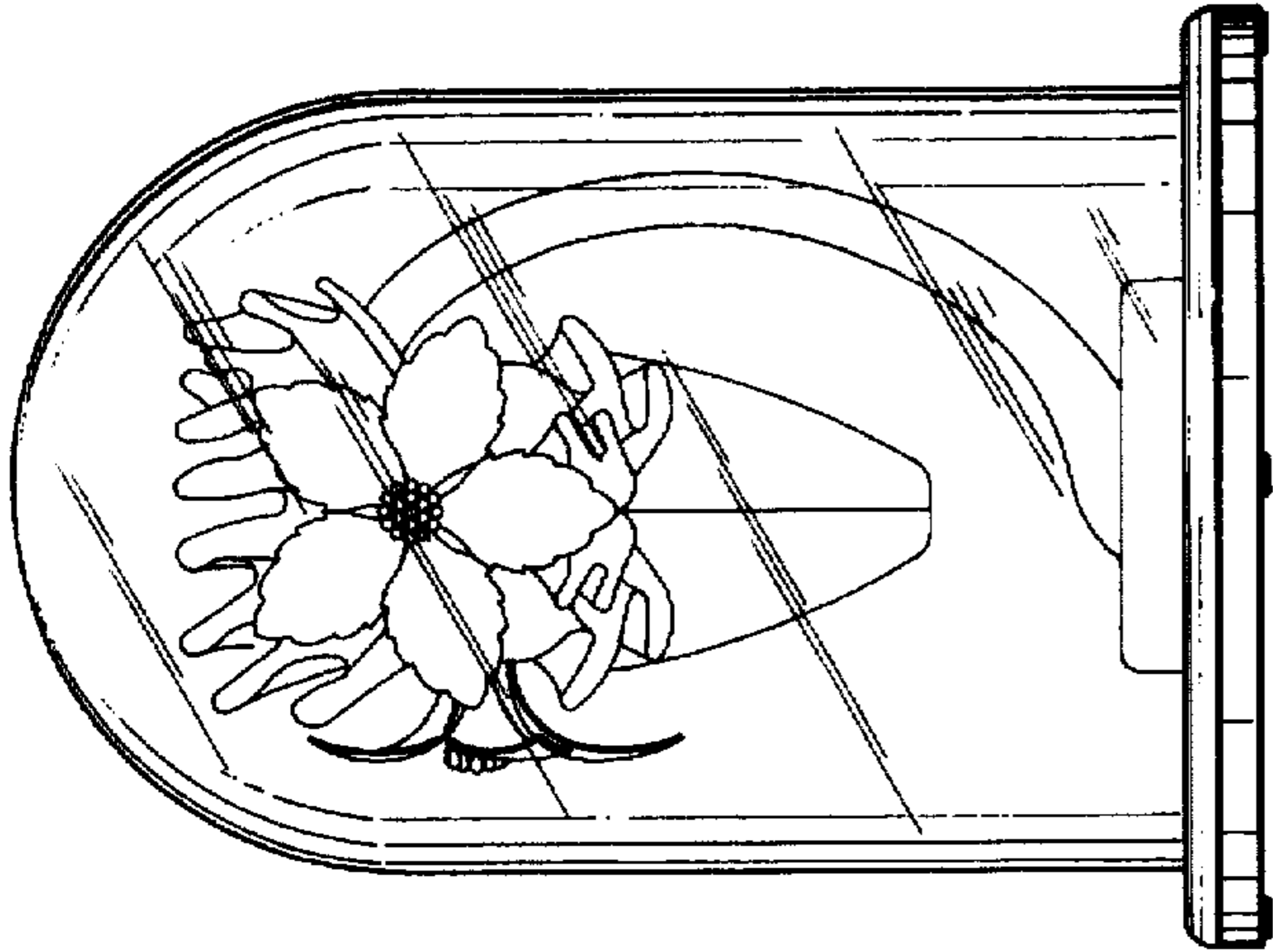


Fig. 2.

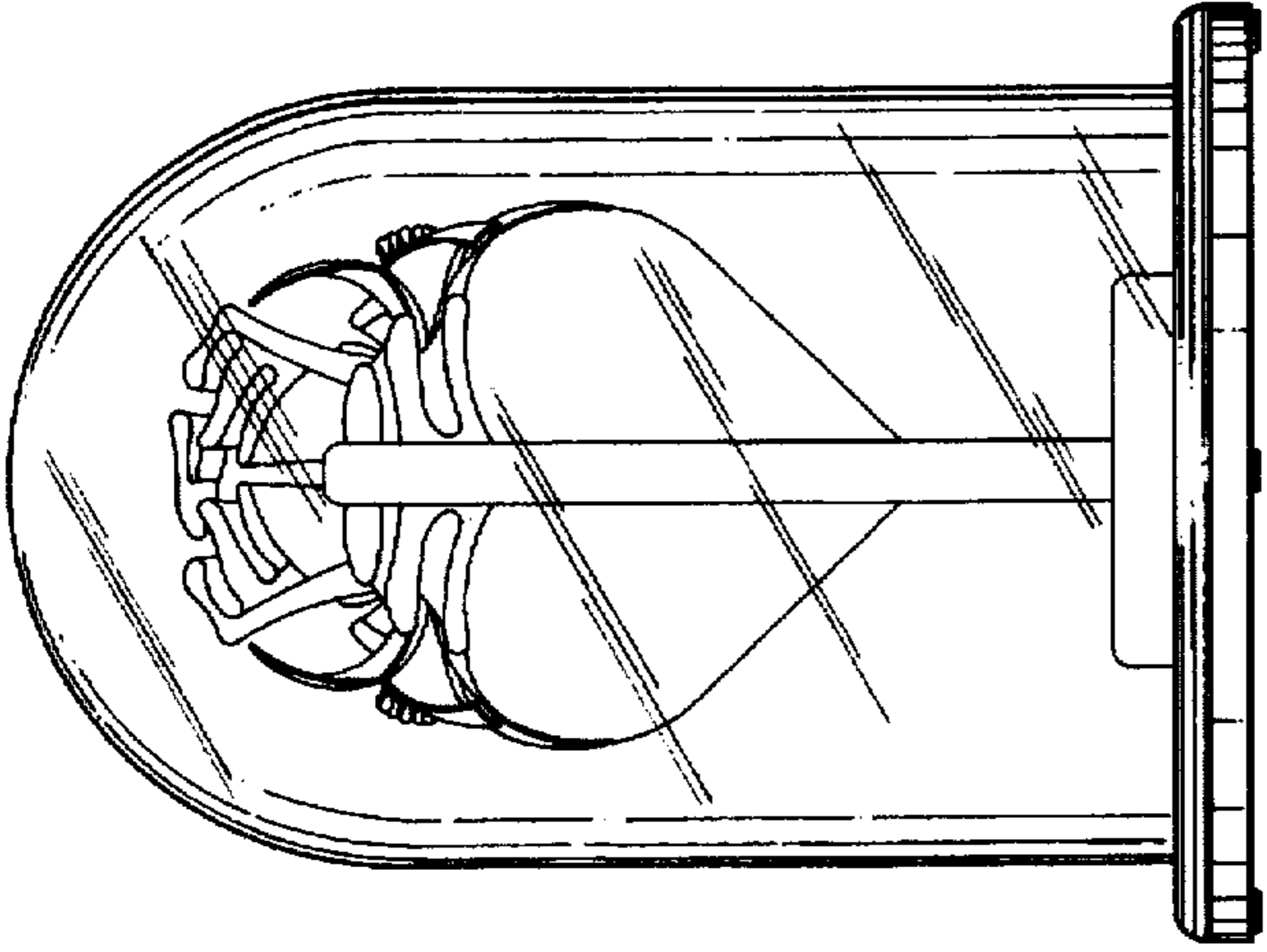


Fig. 3.

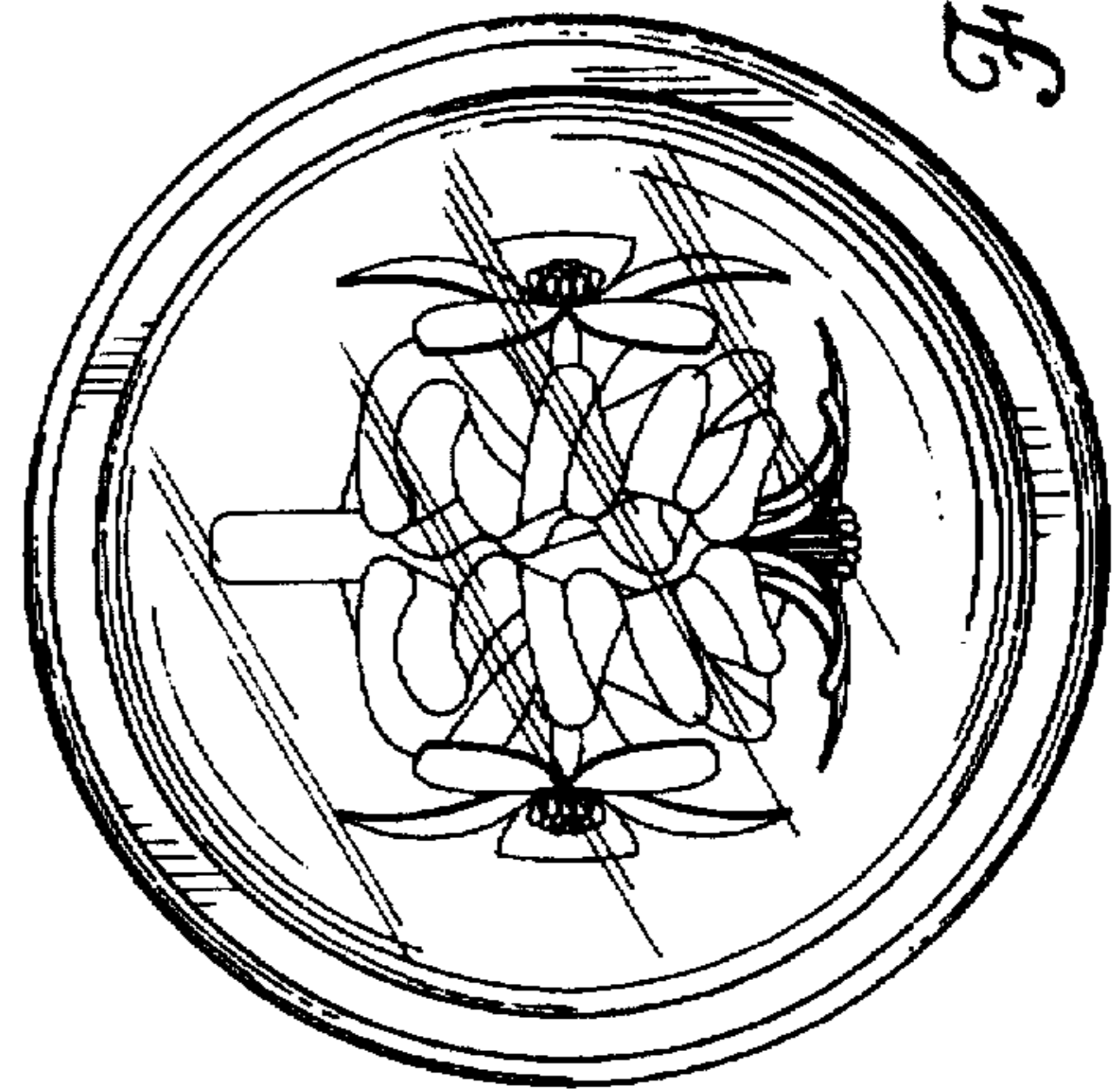


Fig. 4.

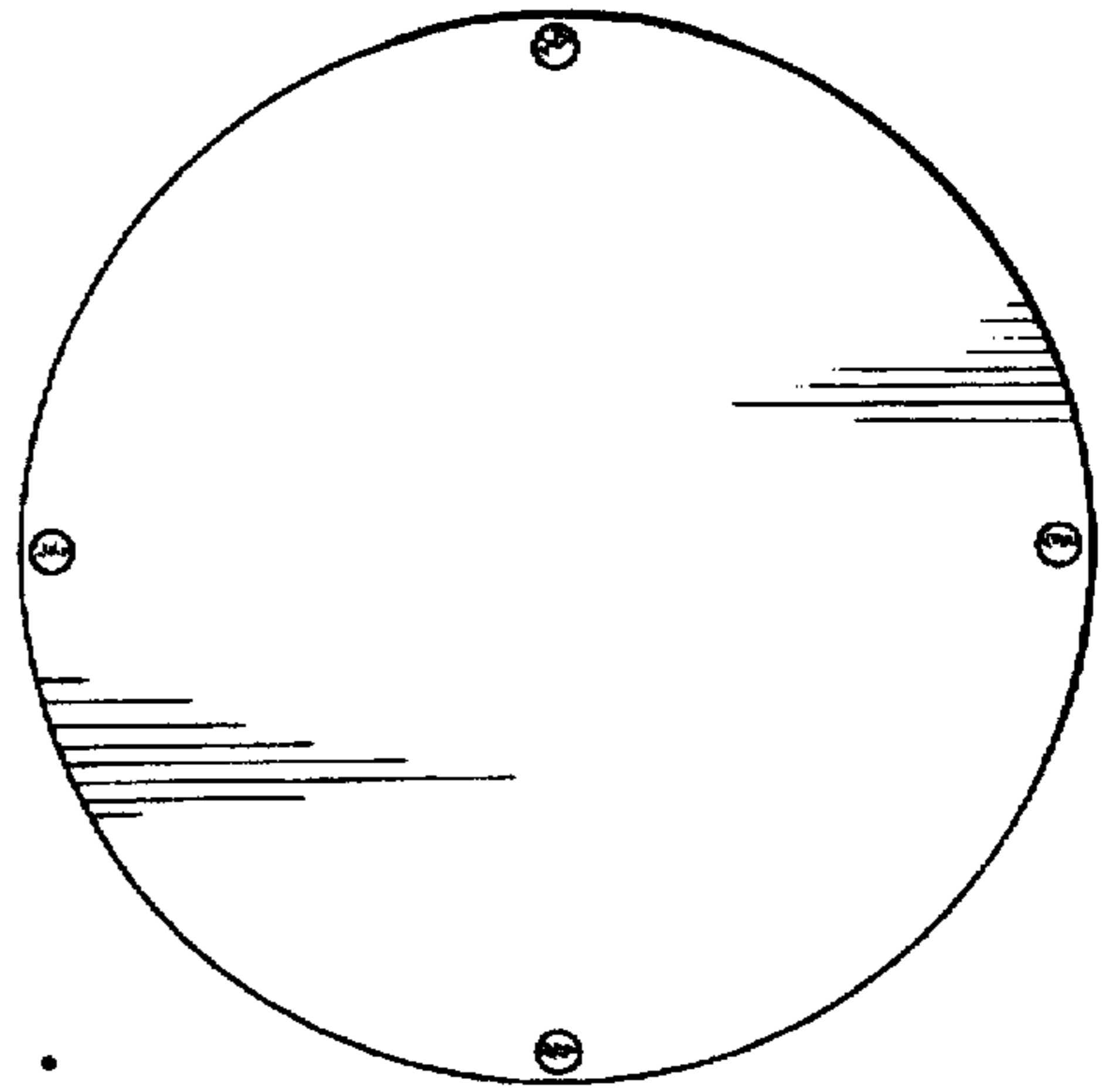


Fig. 5.