



US00D386107S

United States Patent [19]

Alcott

[11] Patent Number: **Des. 386,107**

[45] Date of Patent: ****Nov. 11, 1997**

[54] MEDALLION

[76] Inventor: **Norman M. Alcott**, 7180 Valle Pacifico Rd., Salinas, Calif. 93907

[**] Term: **14 Years**

[21] Appl. No.: **43,107**

[22] Filed: **Aug. 25, 1995**

[51] LOC (6) Cl. **11-01**

[52] U.S. Cl. **D11/81**

[58] Field of Search **D11/207-212, D11/40, 80-84, 1-3, 96; D6/300, 301, 303; D9/307; D21/205; 63/1.1, 2, 13, 18, 19**

[56] References Cited

U.S. PATENT DOCUMENTS

2,840,842 7/1958 Kaheny D9/307

OTHER PUBLICATIONS

Chas. Schwartz & Son Catalog—Item "G" located upper right of p. 2.

Primary Examiner—Ralf Seifert
Attorney, Agent, or Firm—Young & Basile, P.C.

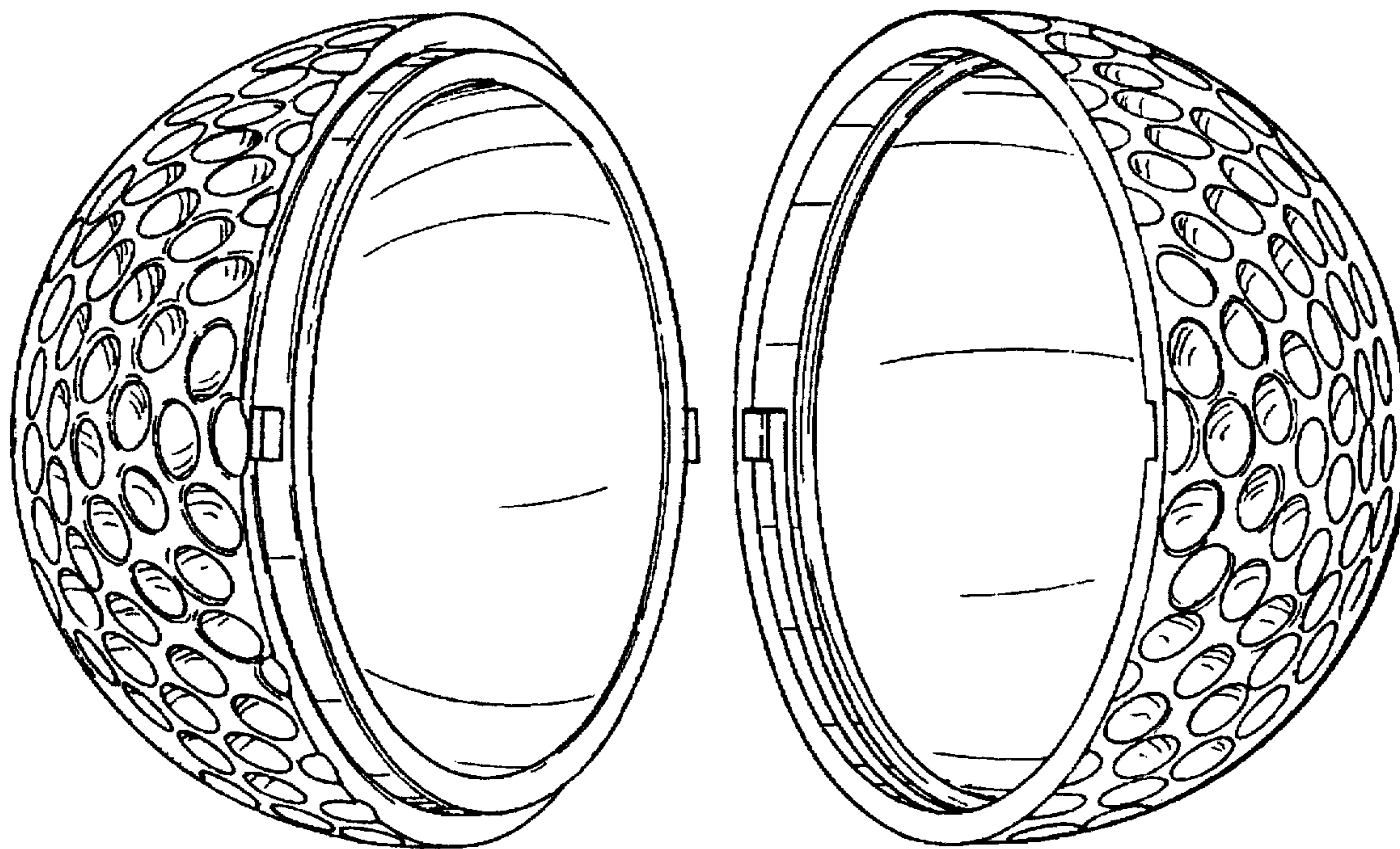
[57] CLAIM

The ornamental design for a medallion, as shown and described.

DESCRIPTION

FIG. 1 is a perspective view of the invention showing the separated halves thereof;
FIG. 2 is a front view of either half of the invention; and,
FIG. 3 is a side view of the invention in its assembled configuration.

1 Claim, 1 Drawing Sheet



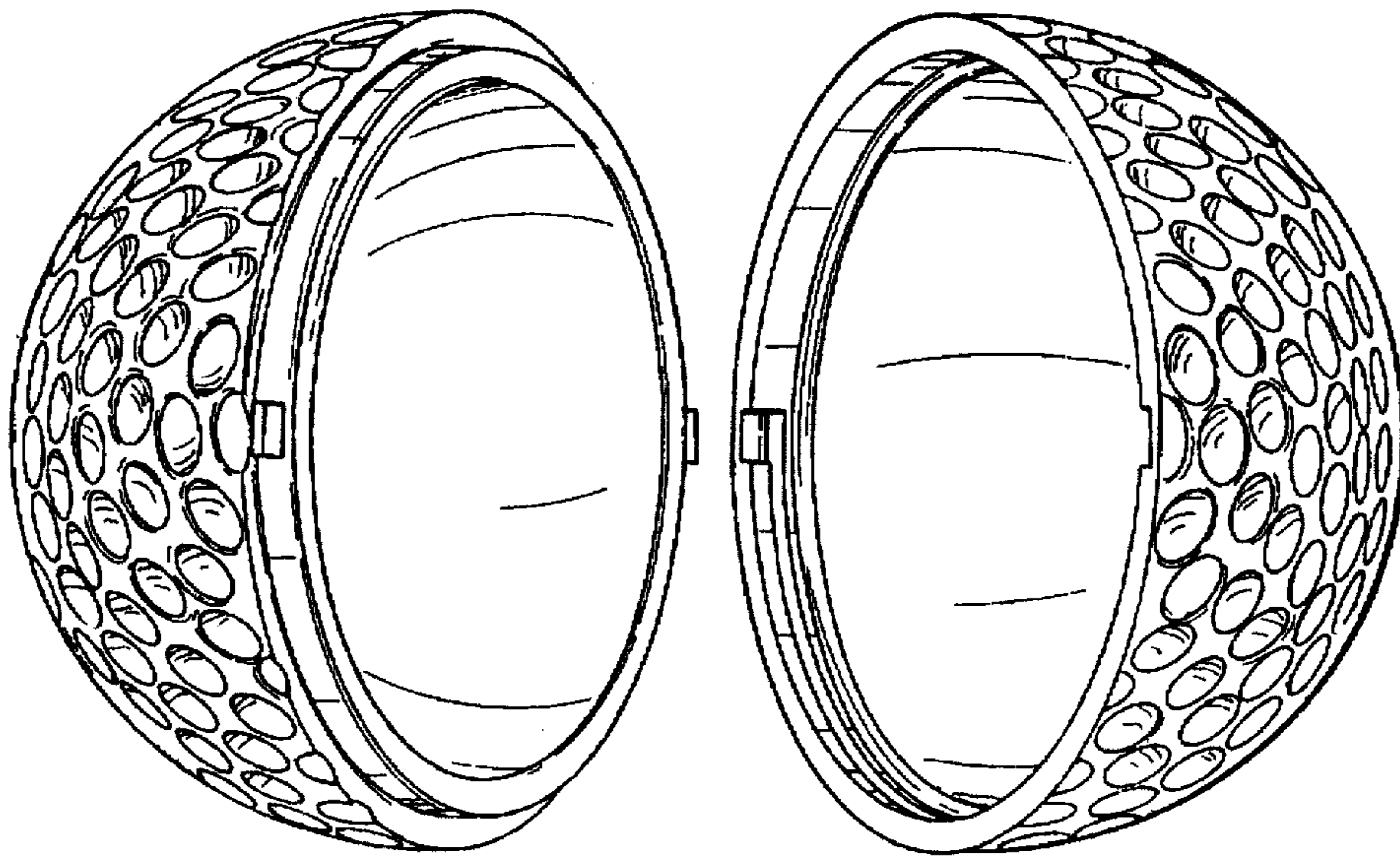


FIG-1

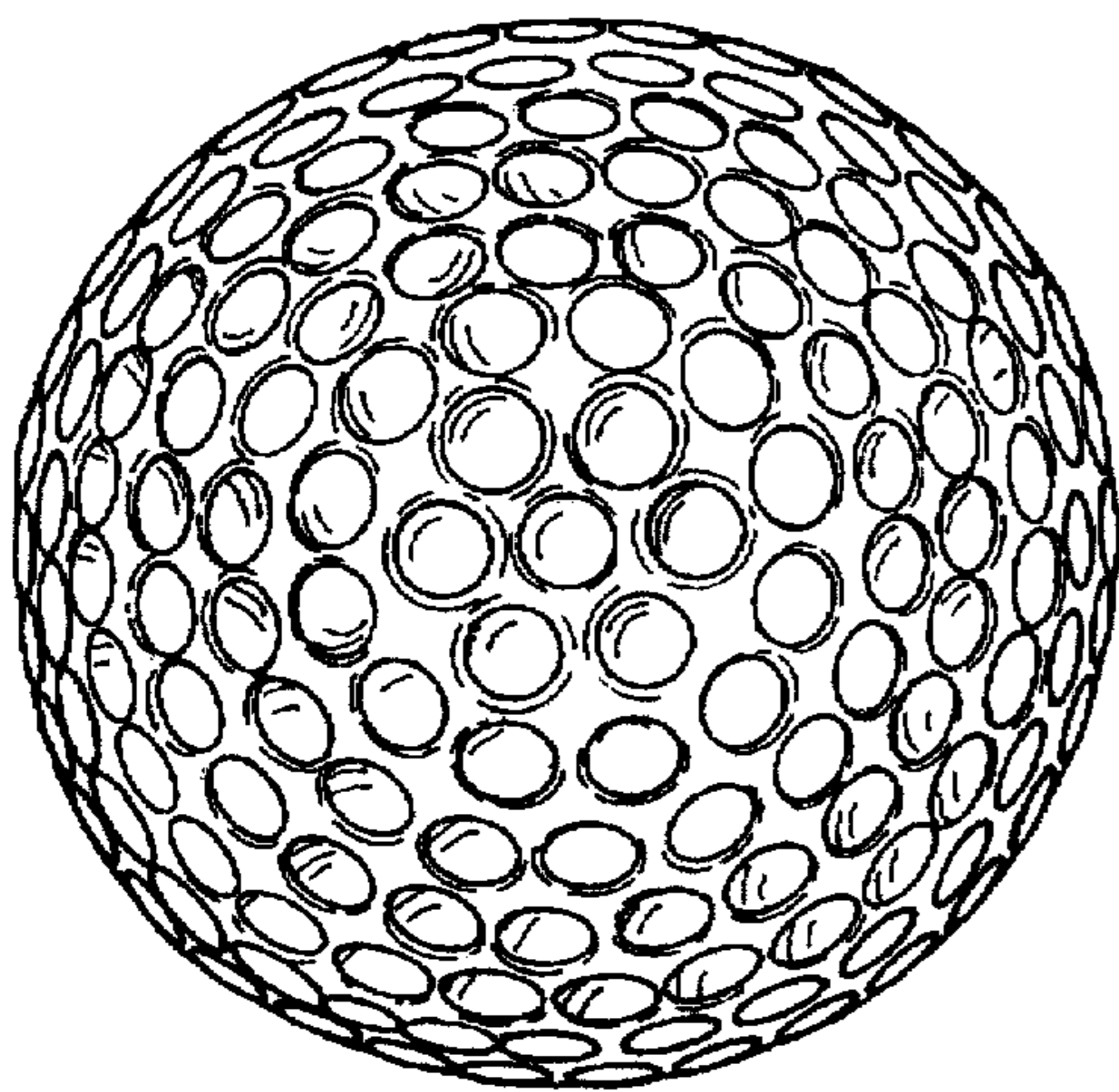


FIG-2

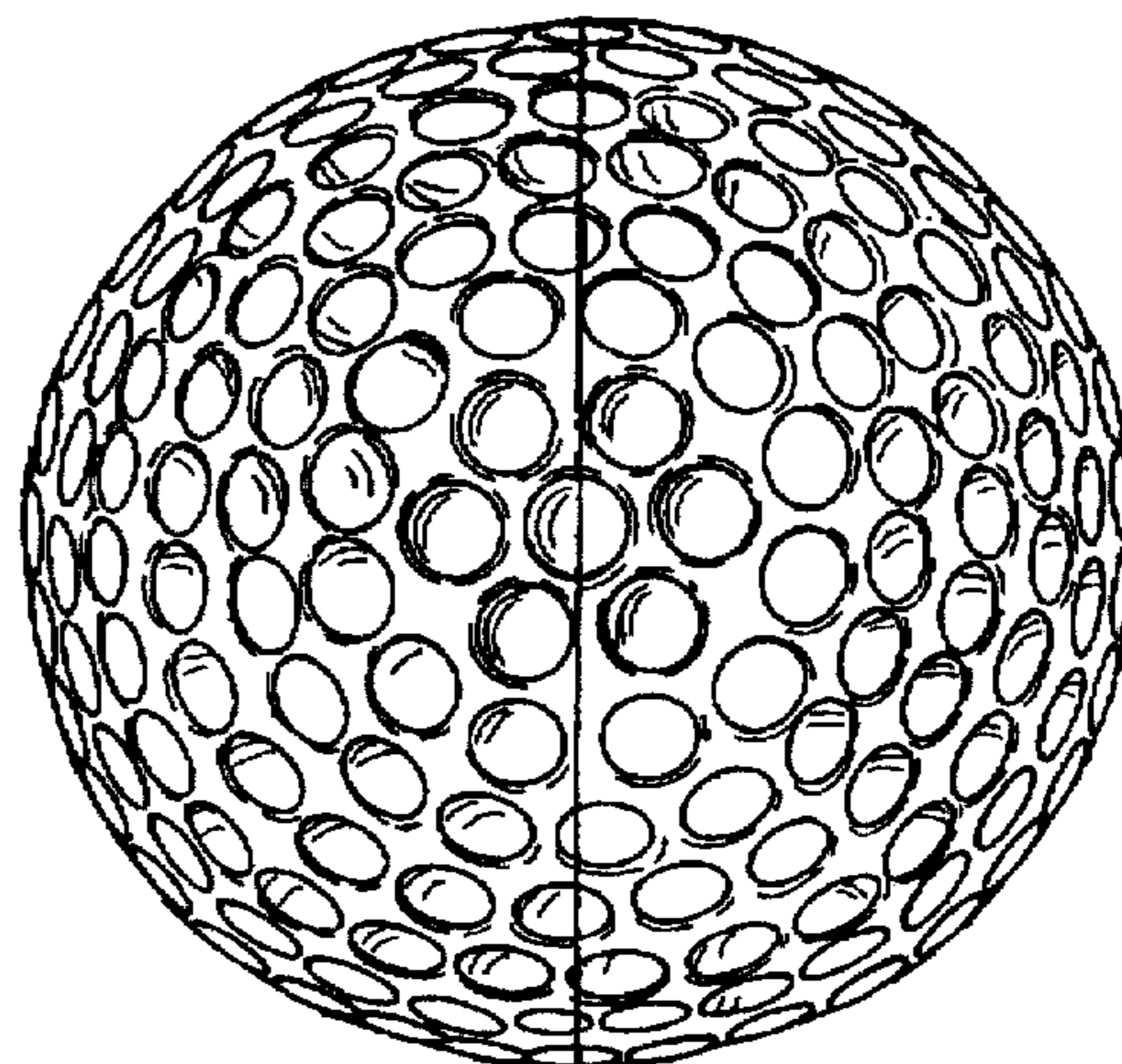


FIG-3