



US00D386104S

United States Patent [19]
Nowak

[11] **Patent Number: Des. 386,104**
[45] **Date of Patent: **Nov. 11, 1997**

[54] **BABY MONITOR TRANSMITTER**

[75] **Inventor: Ralph M. Nowak, Marblehead, Mass.**

[73] **Assignee: The First Years Inc., Avon, Mass.**

[**] **Term: 14 Years**

[21] **Appl. No.: 61,557**

[22] **Filed: Oct. 25, 1996**

[51] **LOC (6) CL 10-05**

[52] **U.S. Cl. D10/104; D14/137; D14/159**

[58] **Field of Search D14/126, 137,
D14/159; D10/104, 106, 116, 121; 340/345,
348, 349, 351, 354, 371, 372, 373, 571,
572, 573**

[56] **References Cited**

U.S. PATENT DOCUMENTS

D. 345,314 3/1994 Chandra D10/106
D. 347,218 5/1994 Shuler D14/159

D. 371,779 7/1996 Nowak et al. D14/159
D. 376,764 12/1996 Barnes D14/159

Primary Examiner—Marcus A. Jackson
Attorney, Agent, or Firm—Fish & Richardson P.C.

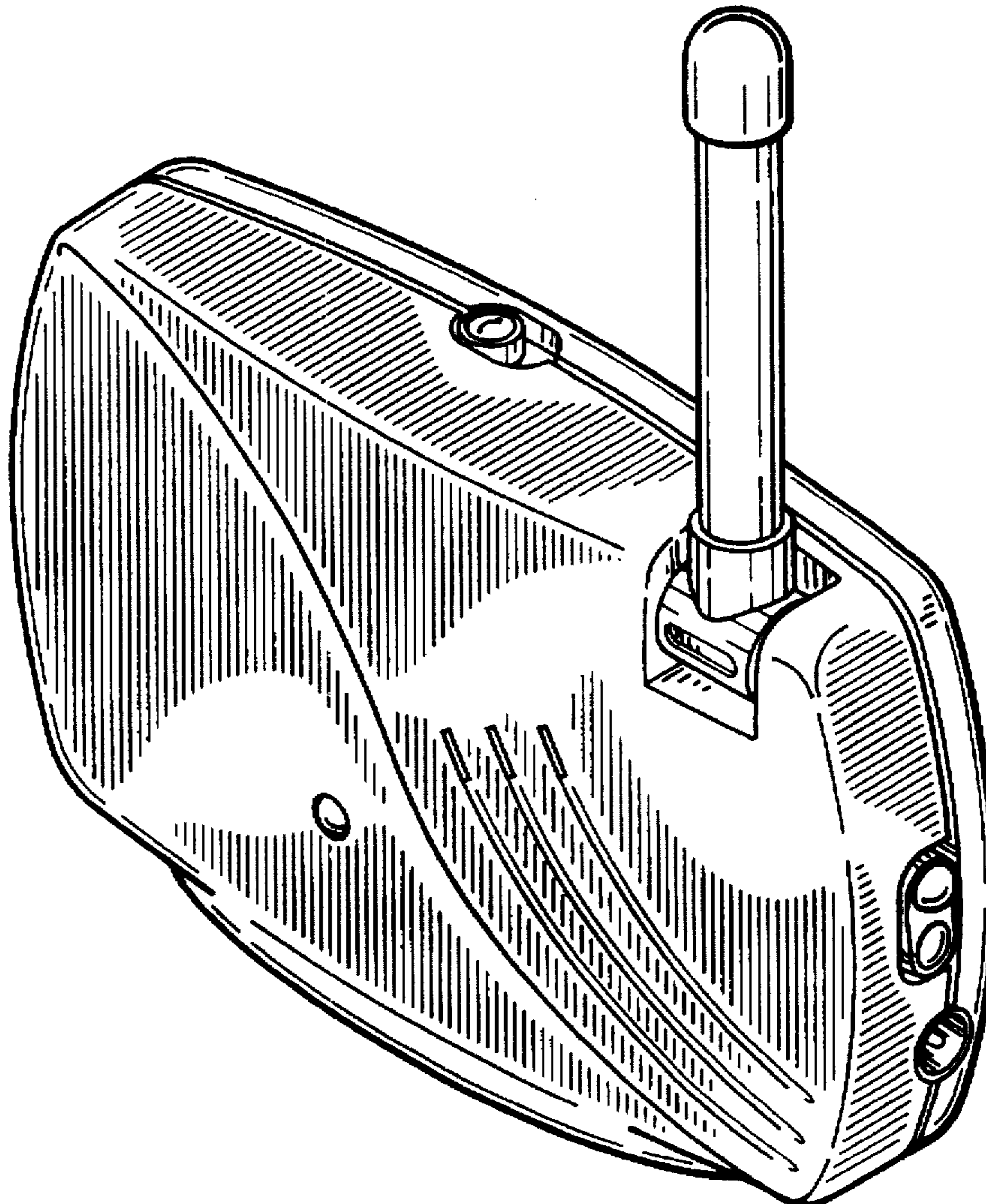
[57] **CLAIM**

The ornamental design for a baby monitor transmitter, as shown and described.

DESCRIPTION

FIG. 1 is a perspective view of a baby monitor transmitter showing the new design;
FIG. 2 is a front elevation view thereof;
FIG. 3 is a rear elevation view thereof;
FIG. 4 is a side elevation view thereof;
FIG. 5 is a side elevation view thereof, opposite that shown in FIG. 4;
FIG. 6 is a top plan view thereof; and,
FIG. 7 is a bottom plan view thereof; and,
FIG. 8 is a bottom plan view thereof, opposite that shown in FIG. 7.

1 Claim, 4 Drawing Sheets



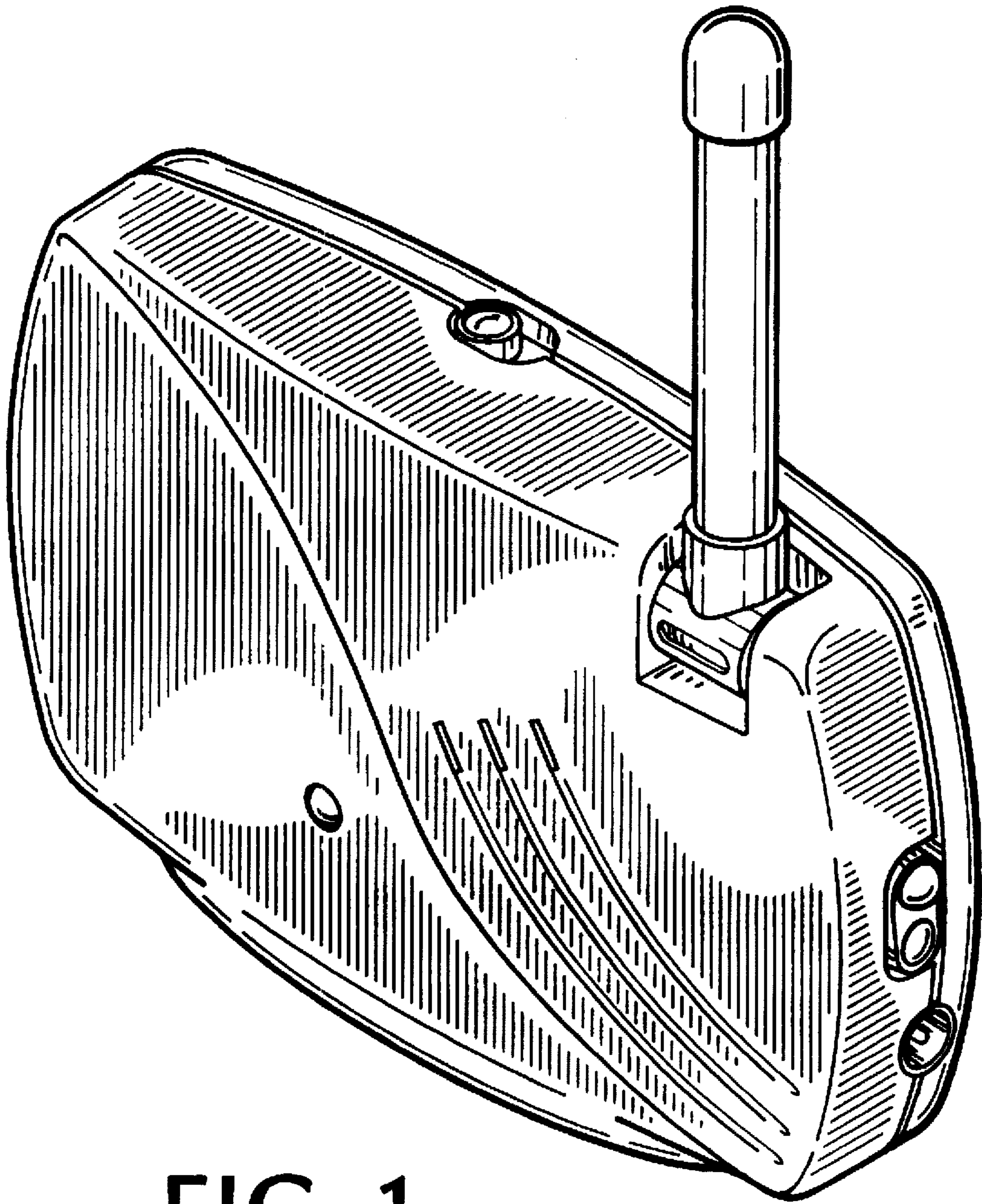


FIG. 1

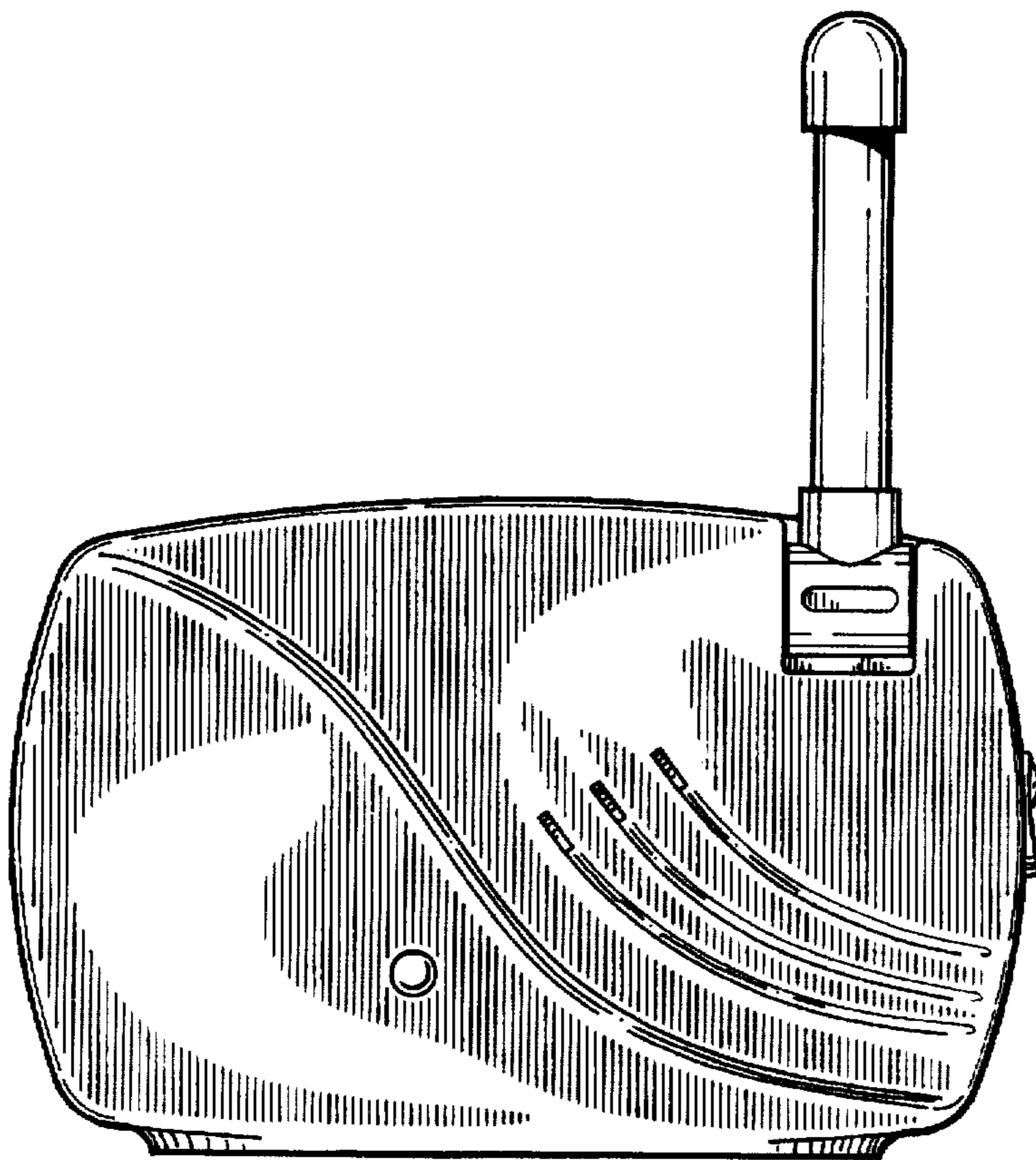


FIG. 2

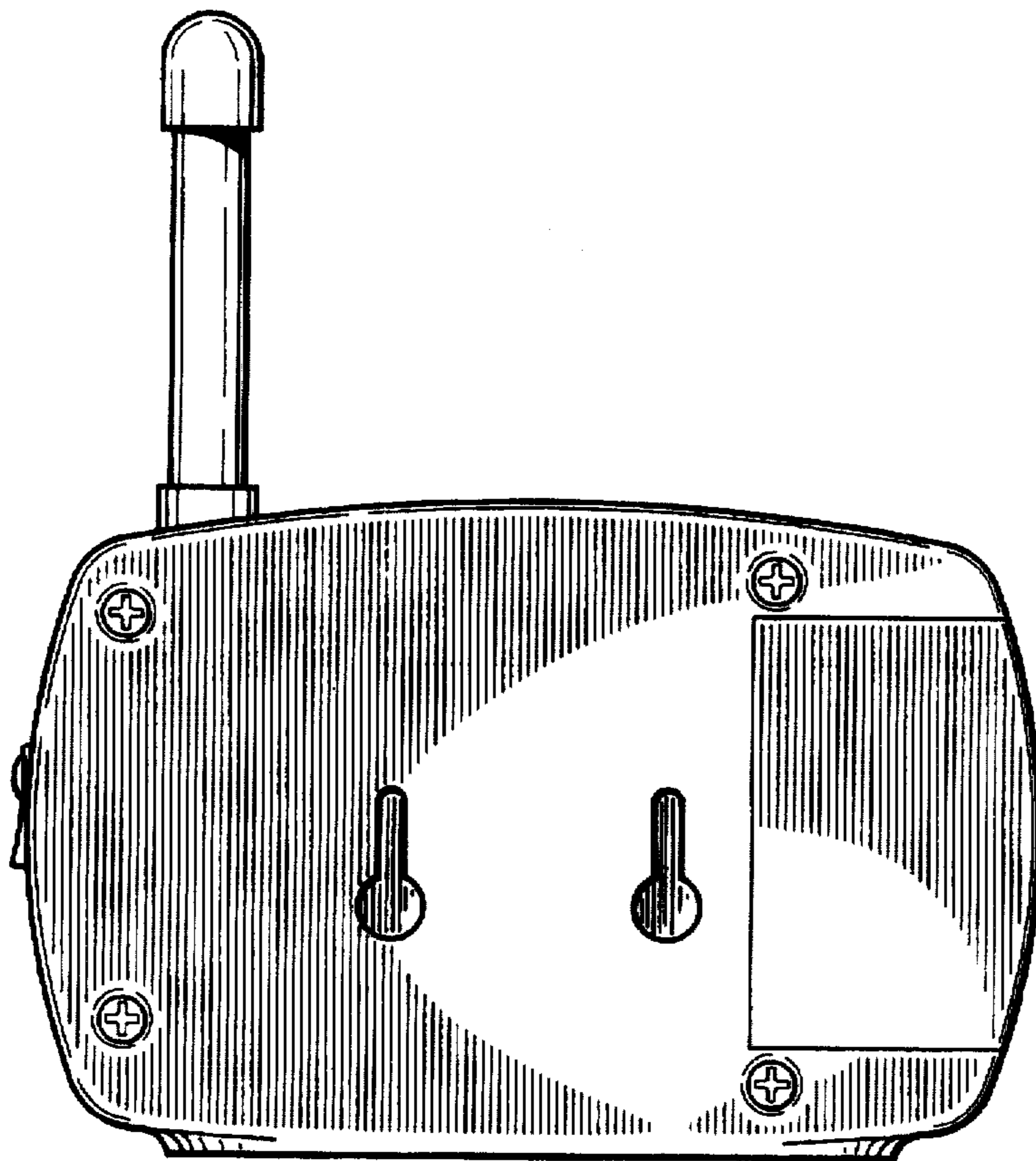


FIG. 3

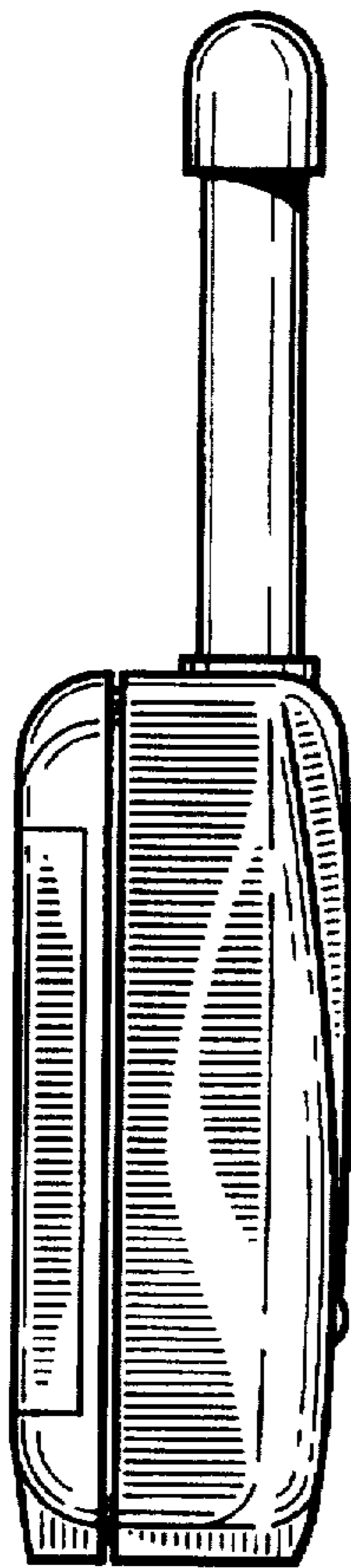


FIG. 4

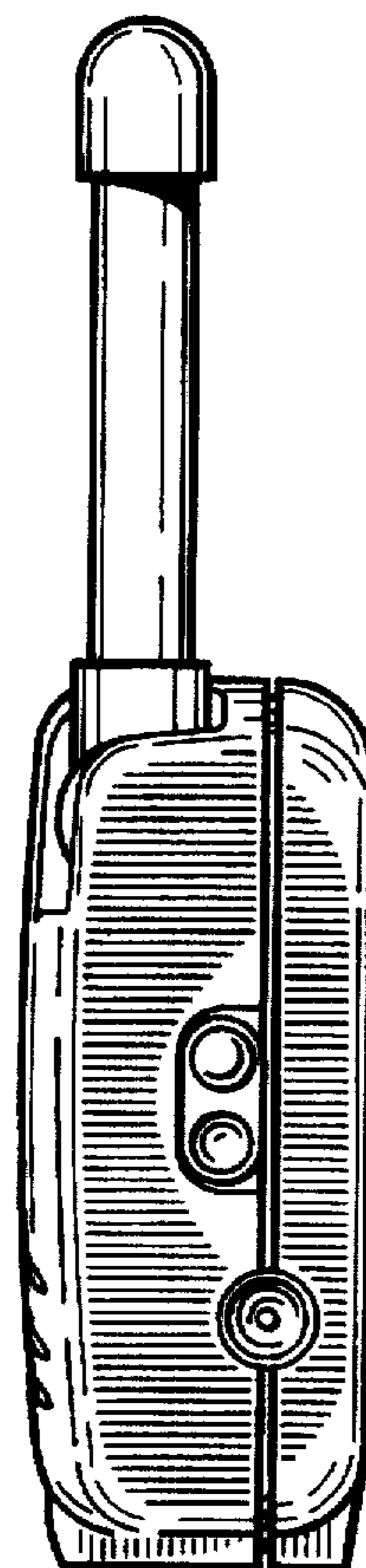


FIG. 5

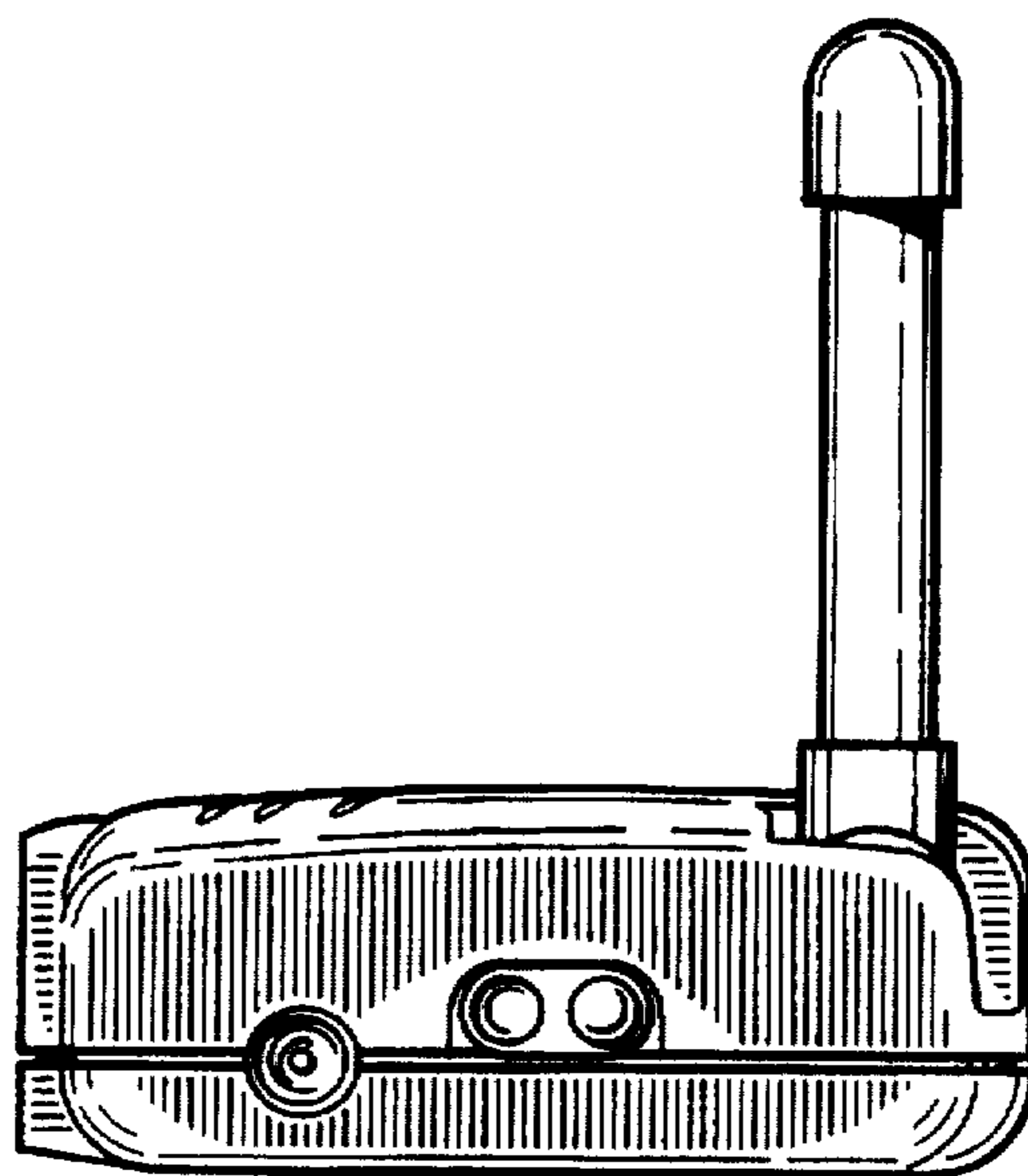


FIG. 6

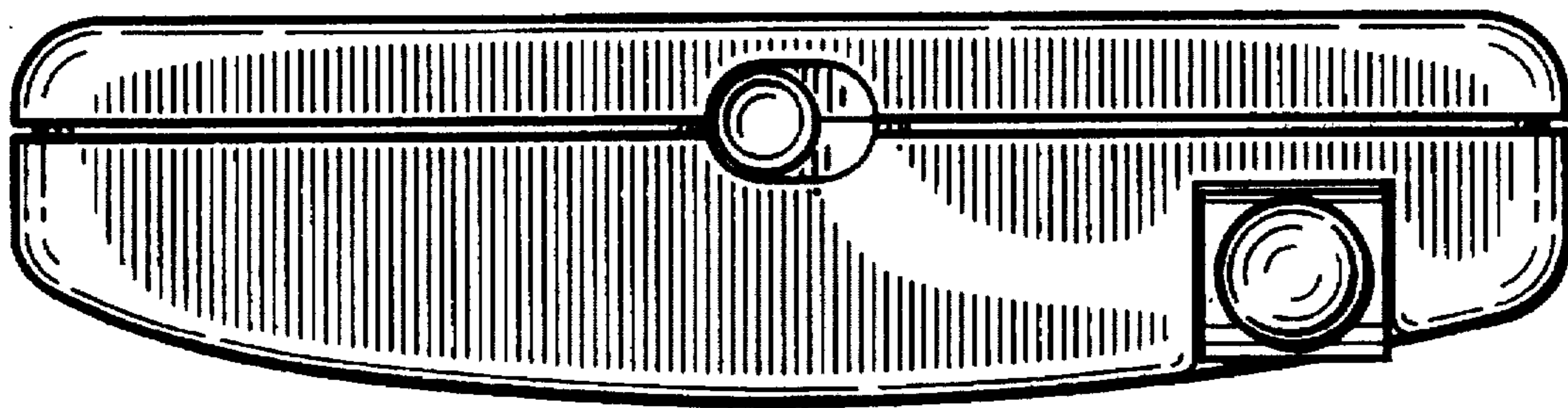


FIG. 7

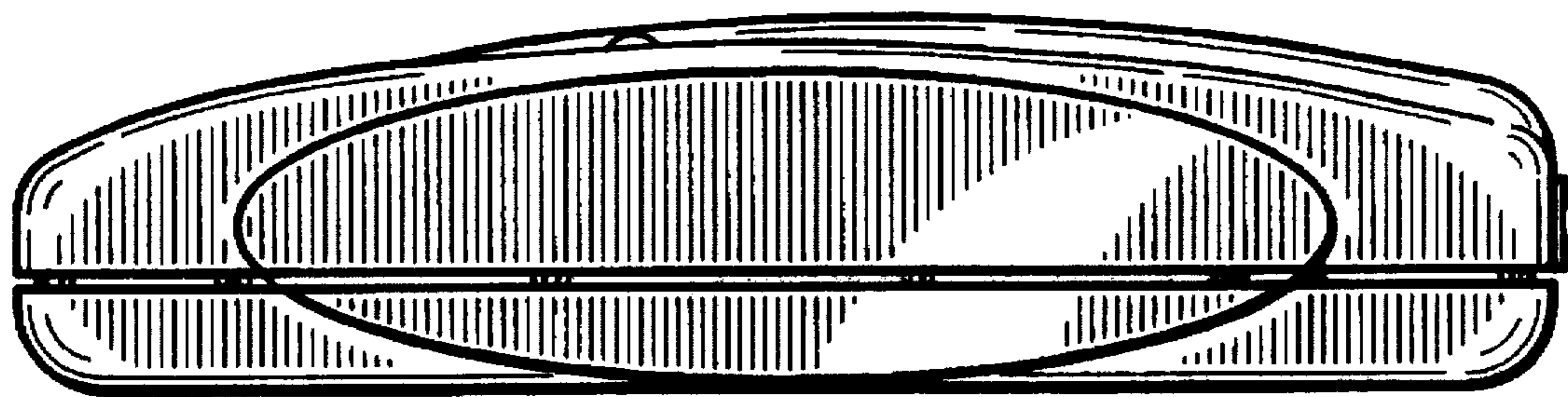


FIG. 8