



US00D386099S

United States Patent [19]
Billington

[11] **Patent Number: Des. 386,099**
[45] **Date of Patent: **Nov. 11, 1997**

- [54] **PORTABLE MACHINERY ANALYZER**
- [75] **Inventor: Ralph Douglas Billington, Oak Ridge, Tenn.**
- [73] **Assignee: Machinexpert, LLC, Knoxville, Tenn.**
- [**] **Term: 14 Years**
- [21] **Appl. No.: 56,131**
- [22] **Filed: Jun. 24, 1996**
- [51] **LOC (6) Cl. 10-04**
- [52] **U.S. Cl. D10/75; D10/78; D14/100**
- [58] **Field of Search D10/46, 75, 78; D14/100; 73/431; 324/156; 340/700-712; 364/706-710**

Primary Examiner—Antoine Duval Davis
Attorney, Agent, or Firm—Pitts & Brittan, P.C.

[57] **CLAIM**

The ornamental design of a portable machinery analyzer, as shown and described.

DESCRIPTION

FIG. 1 is a perspective view of a portable machine analyzer showing my new design;
 FIG. 2 is a front elevation view thereof;
 FIG. 3 is a rear elevation view thereof;
 FIG. 4 is a top plan view thereof;
 FIG. 5 is a bottom view thereof;
 FIG. 6 is a right side elevation view thereof;
 FIG. 7 is a left side elevation view thereof; and,
 FIG. 8 is a top plan view of an alternate embodiment of a portable machine analyzer showing my new design all views not shown are identical to those shown in FIGS. 2, 3, and 5-7.

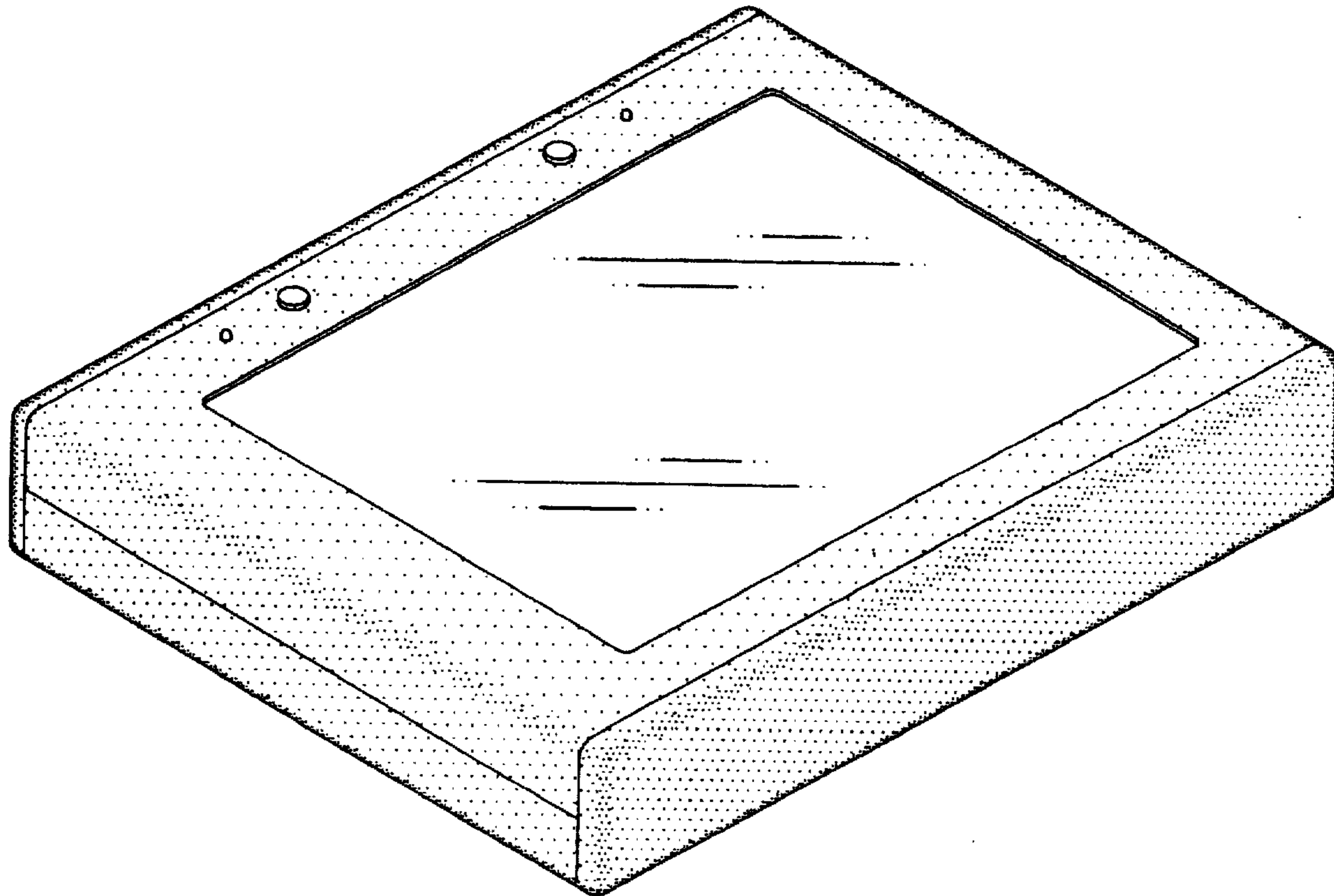
The broken line showing is for illustrative purposes only and forms no part of the claimed design.

[56] **References Cited**

U.S. PATENT DOCUMENTS

D. 340,701	10/1993	Takeuchi	D14/100
D. 345,346	3/1994	Alfonso et al.	D14/100
D. 355,170	2/1995	Mizusugi et al.	D14/100
D. 356,548	3/1995	Bottcher et al.	D14/100

1 Claim, 4 Drawing Sheets



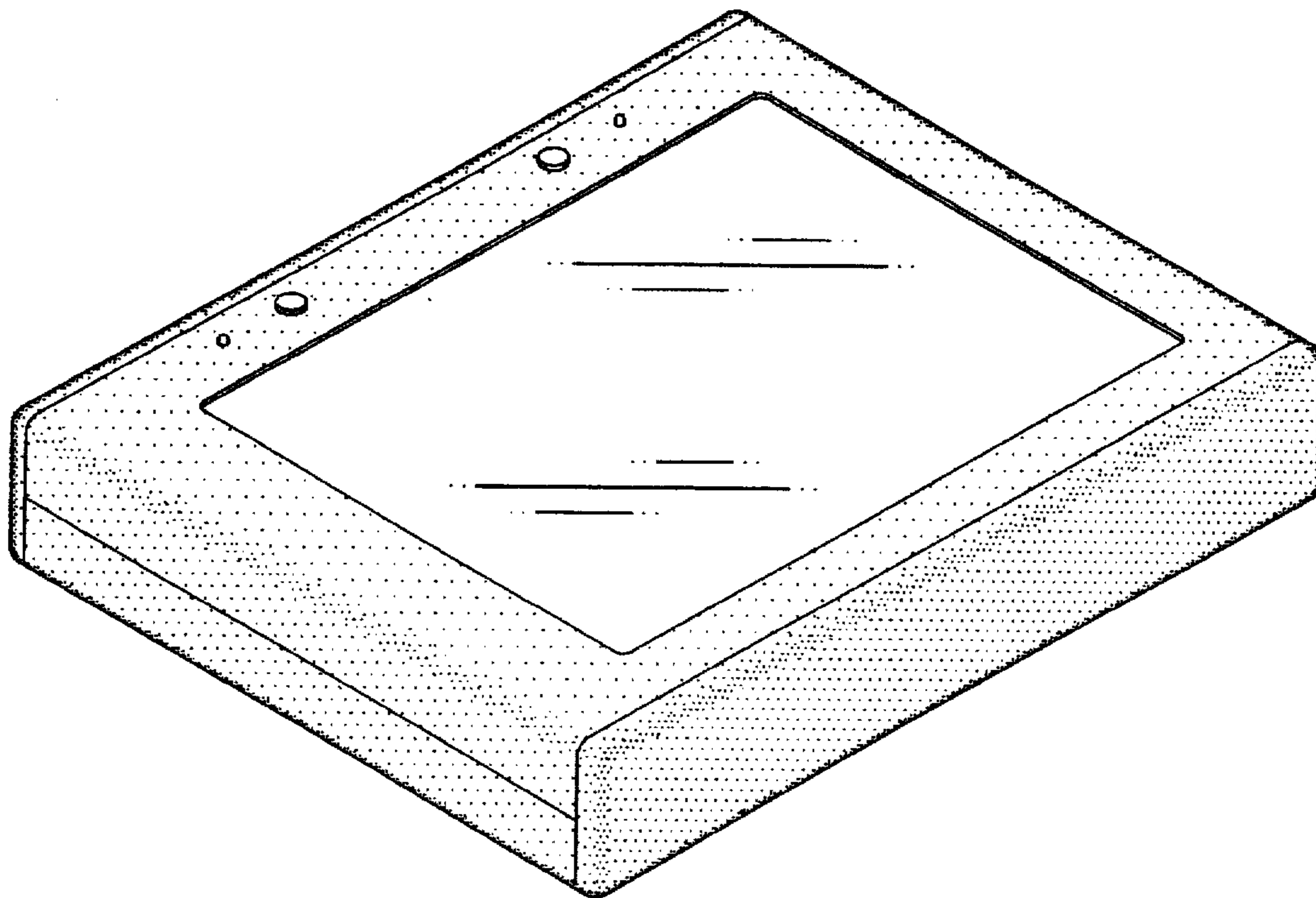


Fig. 1

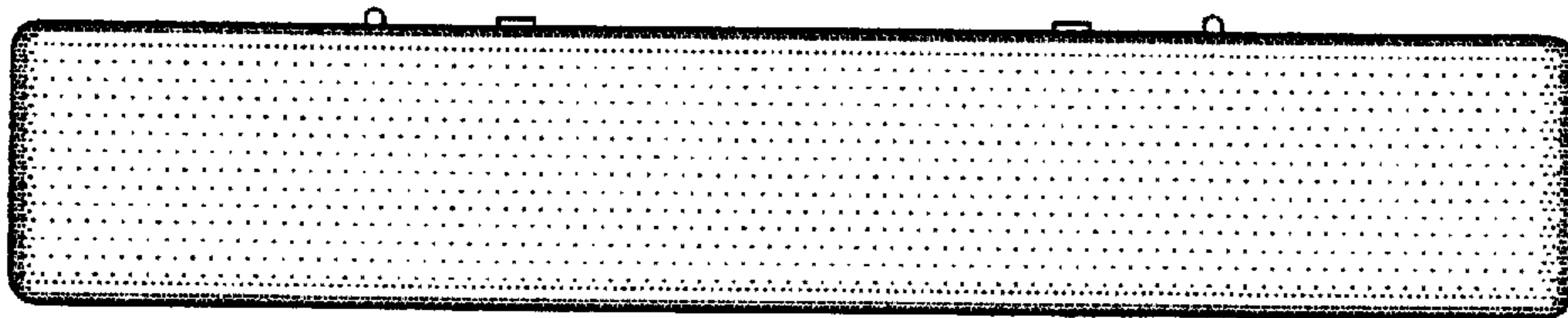


Fig. 2

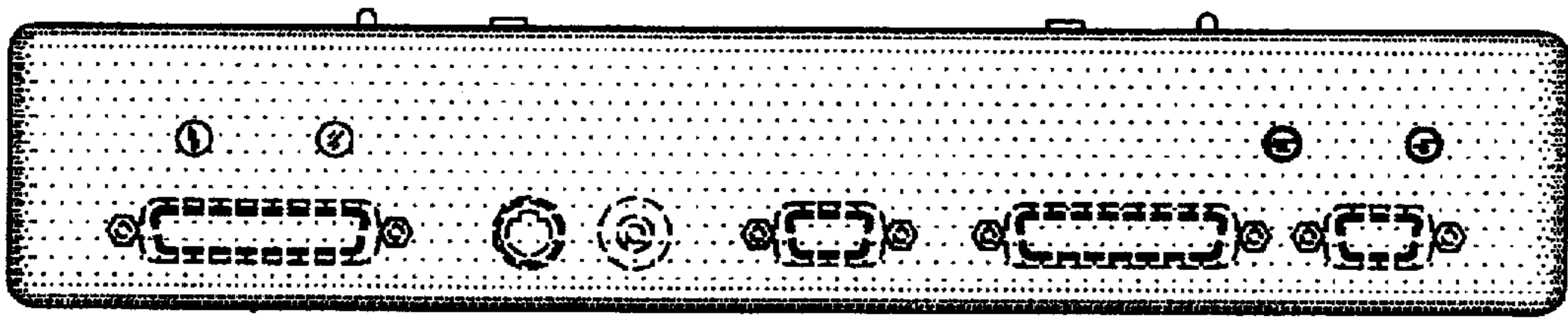


Fig. 3

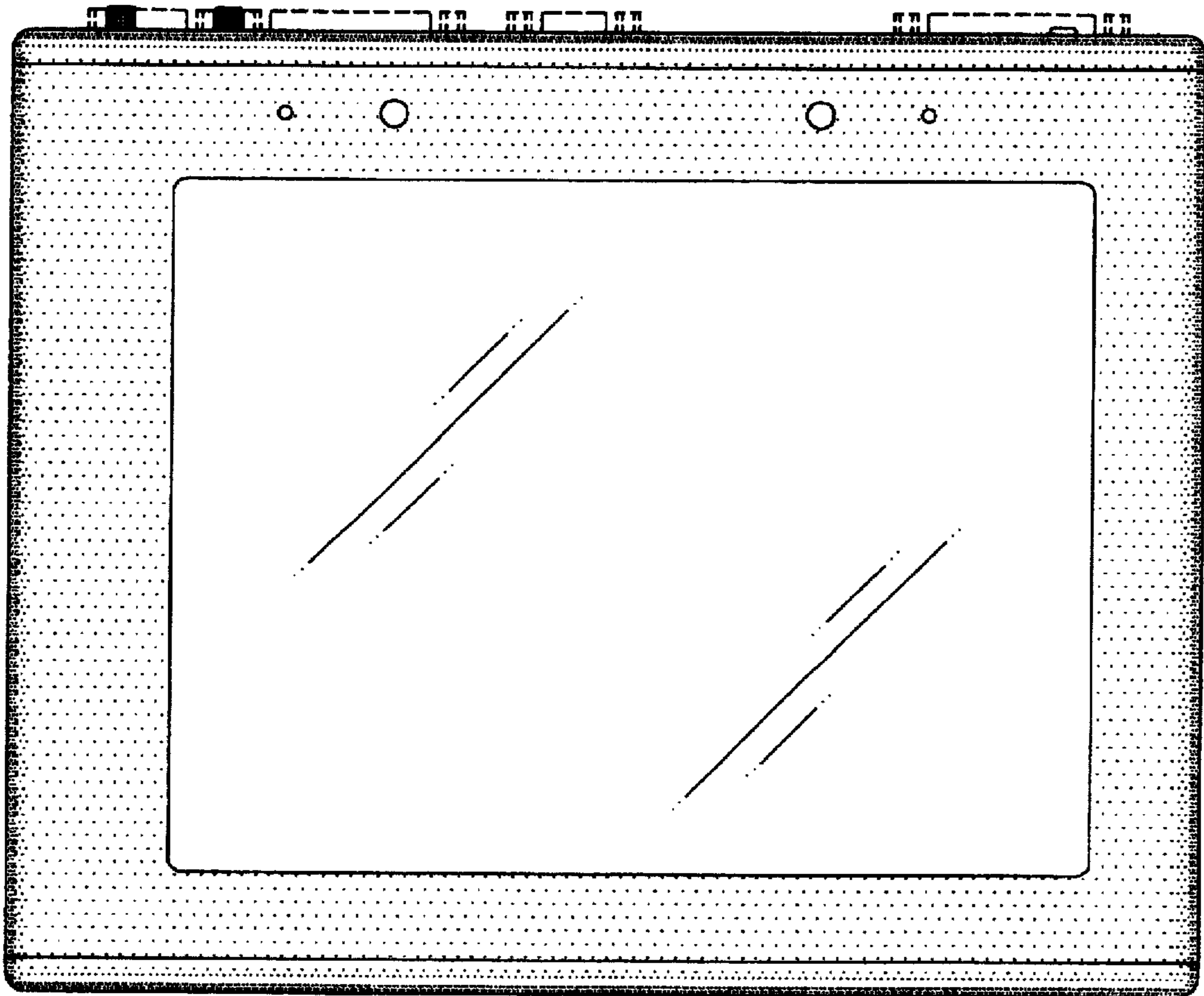


Fig. 4

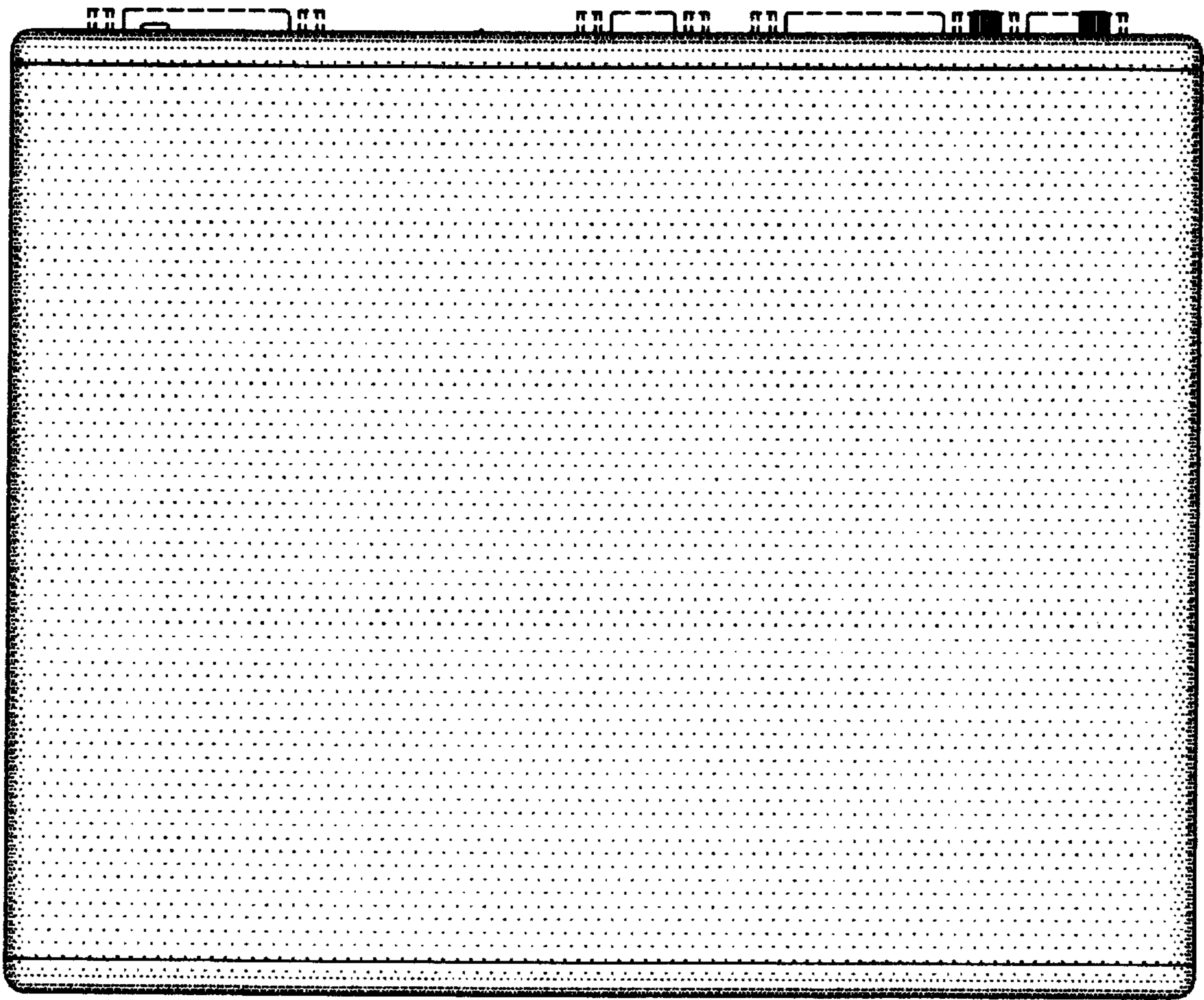


Fig. 5

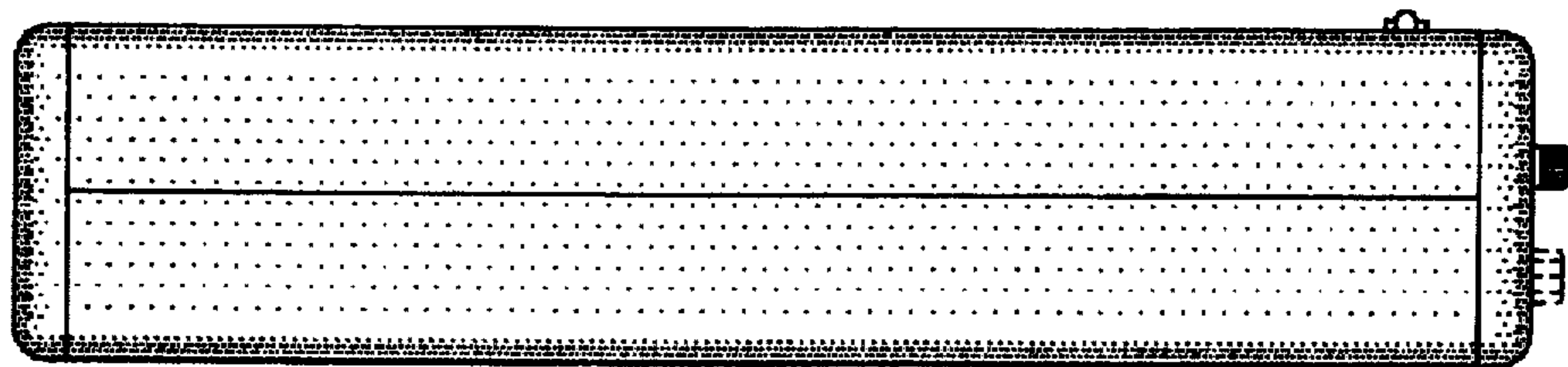


Fig. 6

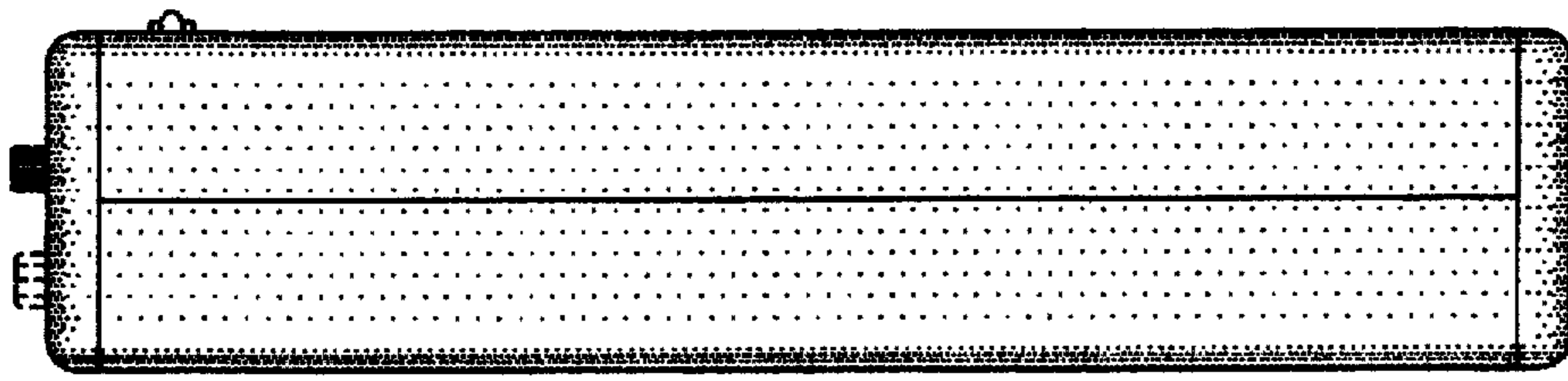


Fig. 7

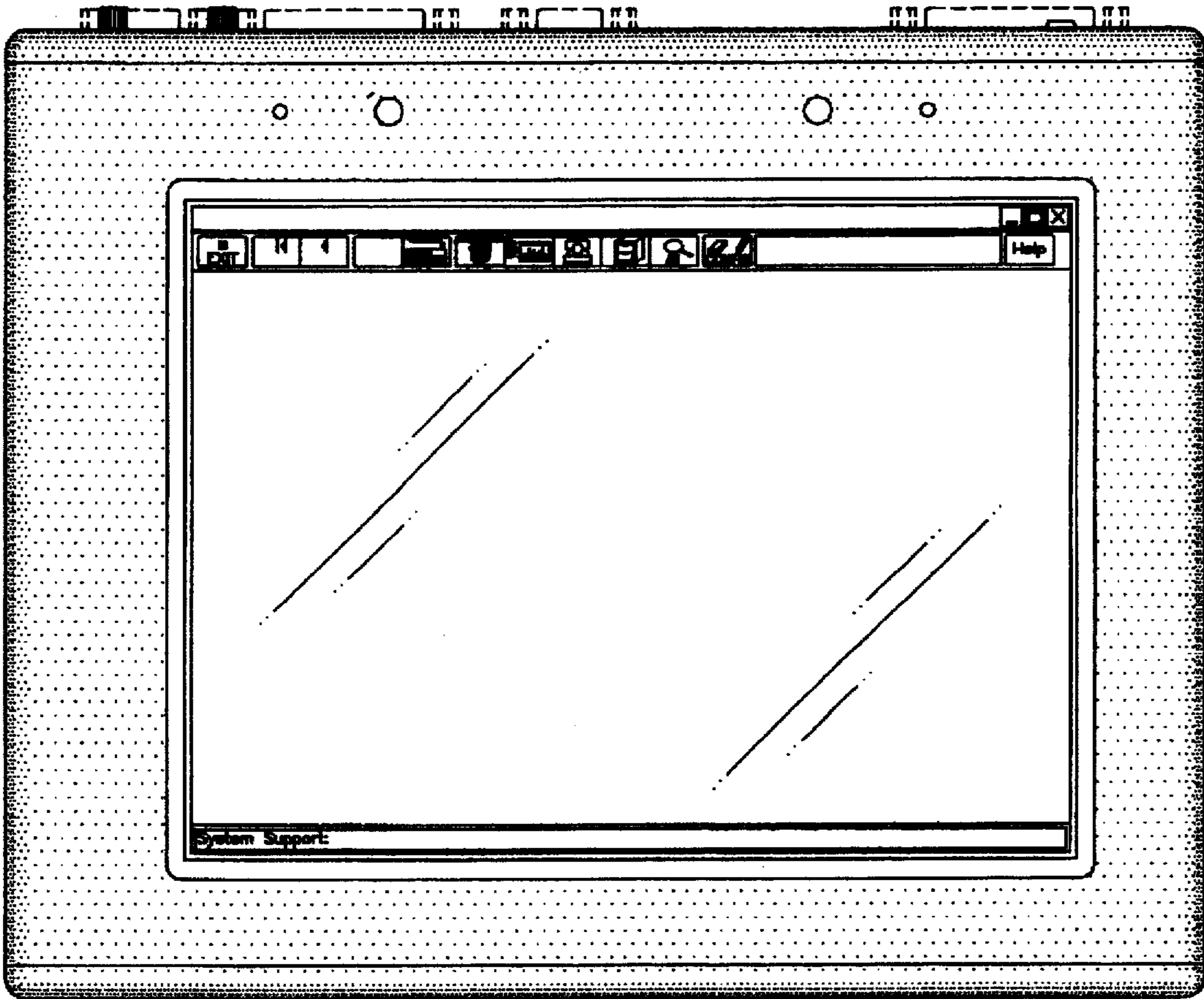


Fig. 8