



US00D386096S

# United States Patent [19]

[11] Patent Number: **Des. 386,096**

Lage

[45] Date of Patent: **\*\*\*Nov. 11, 1997**

[54] **BASE FOR PRESENTING AN OBJECT FOR VIEWING**

[75] Inventor: **David P. Lage**, St. Louis County, Mo.

[73] Assignee: **Quick Point, Inc.**, Fenton, Mo.

[\*] Notice: The portion of the term of this patent subsequent to Jun. 18, 2010, has been disclaimed.

[\*\*] Term: **14 Years**

[21] Appl. No.: **53,032**

[22] Filed: **Apr. 10, 1996**

[51] LOC (6) Cl. .... **10-04**

[52] U.S. Cl. .... **D10/60; D19/84; D19/97; D10/103; D10/57**

[58] Field of Search ..... **D19/35, 36, 65, D19/77, 81-85, 95, 99, 100; D7/535, 536, 507; 24/69.1, 69.9; D10/52, 54, 57, 60, 103; 374/208**

[56] **References Cited**

**U.S. PATENT DOCUMENTS**

- D. 16,559 3/1886 Casper .
- D. 65,799 10/1924 Brush .
- D. 176,407 12/1955 Fletcher .
- D. 187,103 1/1960 Kaufman .
- D. 192,174 2/1962 Trombley .
- D. 202,643 10/1965 Hoyt .
- D. 204,687 5/1966 Bieger ..... D19/77 X
- D. 206,820 1/1967 Bieger et al. .... D10/57

- D. 226,024 1/1973 Bell ..... D10/57 X
- D. 243,911 4/1977 Thorud .
- D. 247,741 4/1978 Danz et al. .
- D. 314,308 2/1991 Cogswell .
- D. 317,696 6/1991 Lage .
- D. 354,004 1/1995 Brown .
- D. 370,851 6/1996 Lage ..... D10/1

**OTHER PUBLICATIONS**

Saks Fifth Avenue Holiday 1995 catalog, p. 89.

*Primary Examiner*—Martie Thompson  
*Attorney, Agent, or Firm*—Polster, Lieder, Woodruff & Lucchesi, L.C.

[57] **CLAIM**

The ornamental design for base for presenting an object for viewing, as shown.

**DESCRIPTION**

FIG. 1 is a top, front and right side perspective view showing the base for presenting an object for viewing of the new design;

FIG. 2 is a right side elevational view thereof;

FIG. 3 is a left side elevational view thereof;

FIG. 4 is a front elevational view thereof;

FIG. 5 is a rear elevational view thereof;

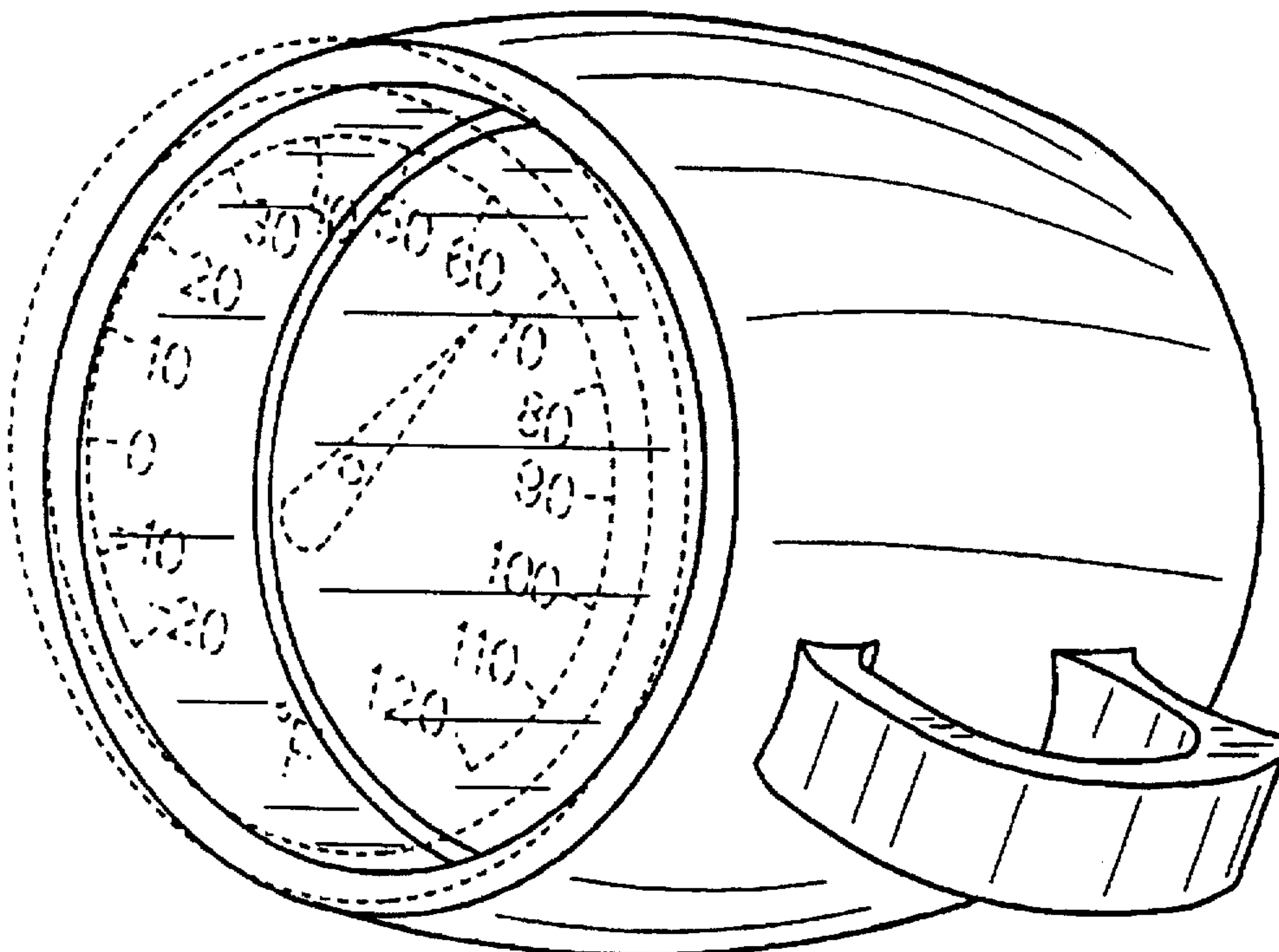
FIG. 6 is a top view thereof;

FIG. 7 is a bottom view thereof; and,

FIG. 8 is a front view taken along line 8—8 of FIG. 2.

The broken lines showing a dial-type thermometer are for illustrative purposes only. The thermometer forms no part of the claimed design.

**1 Claim, 2 Drawing Sheets**



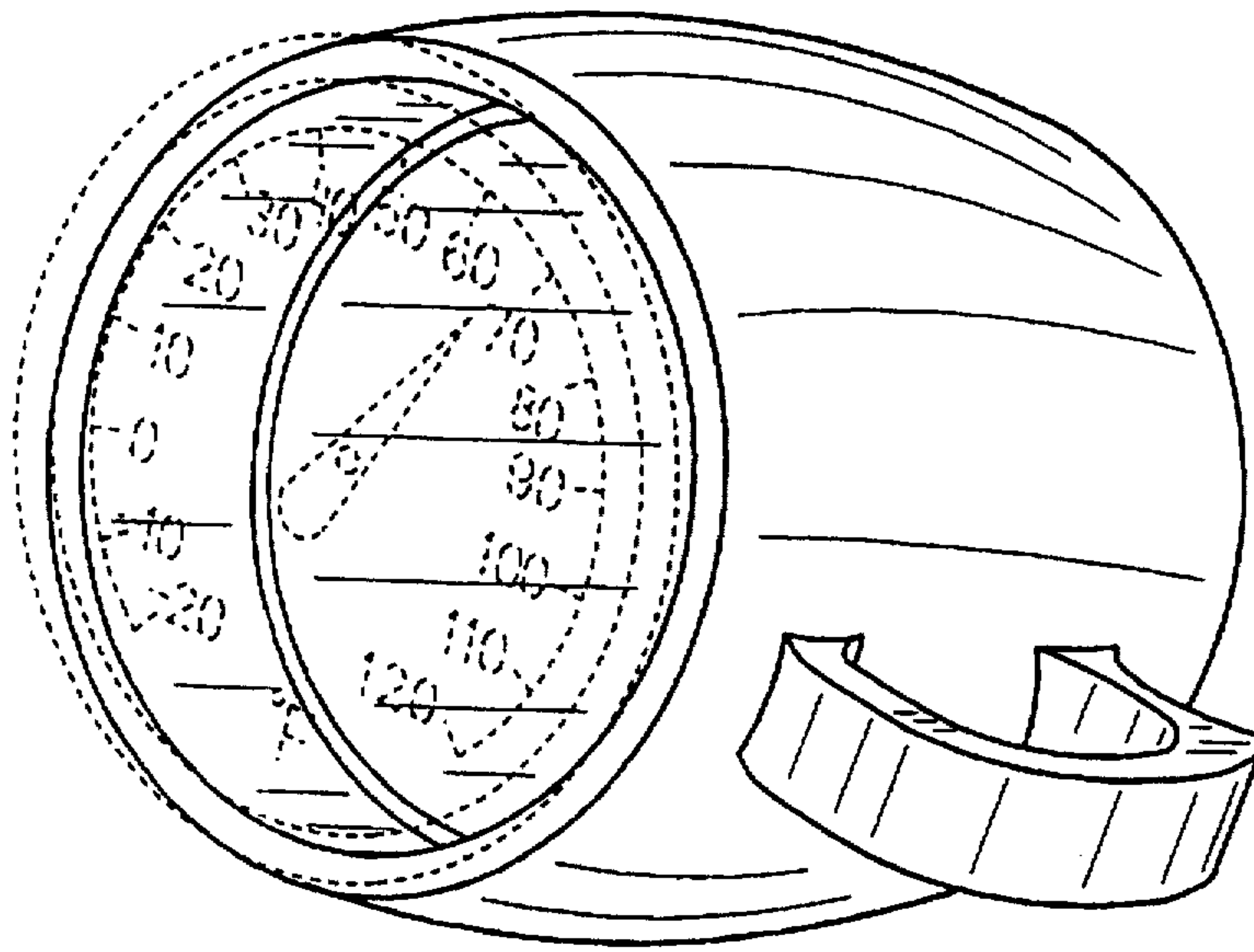


FIG. 1

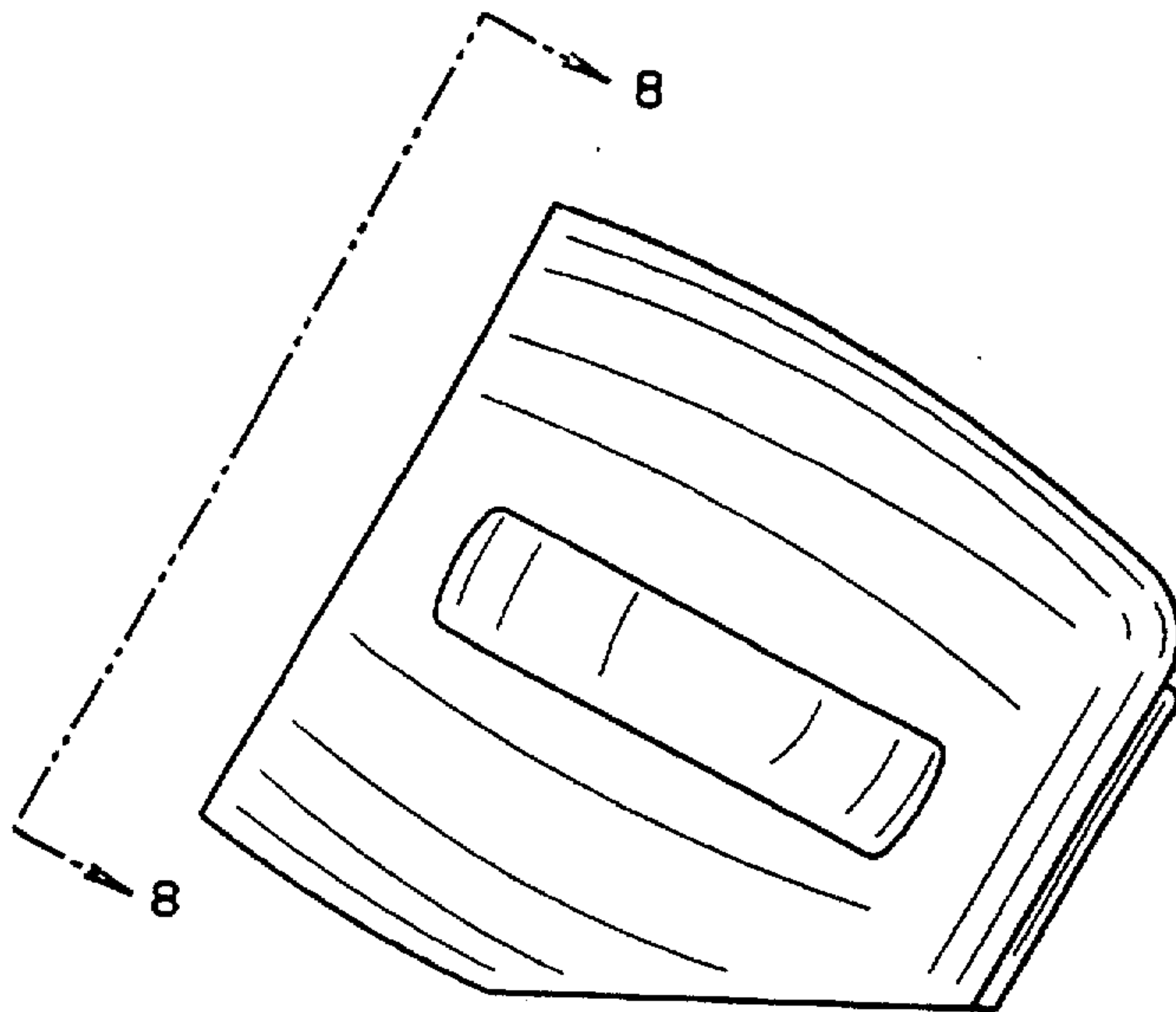


FIG. 2

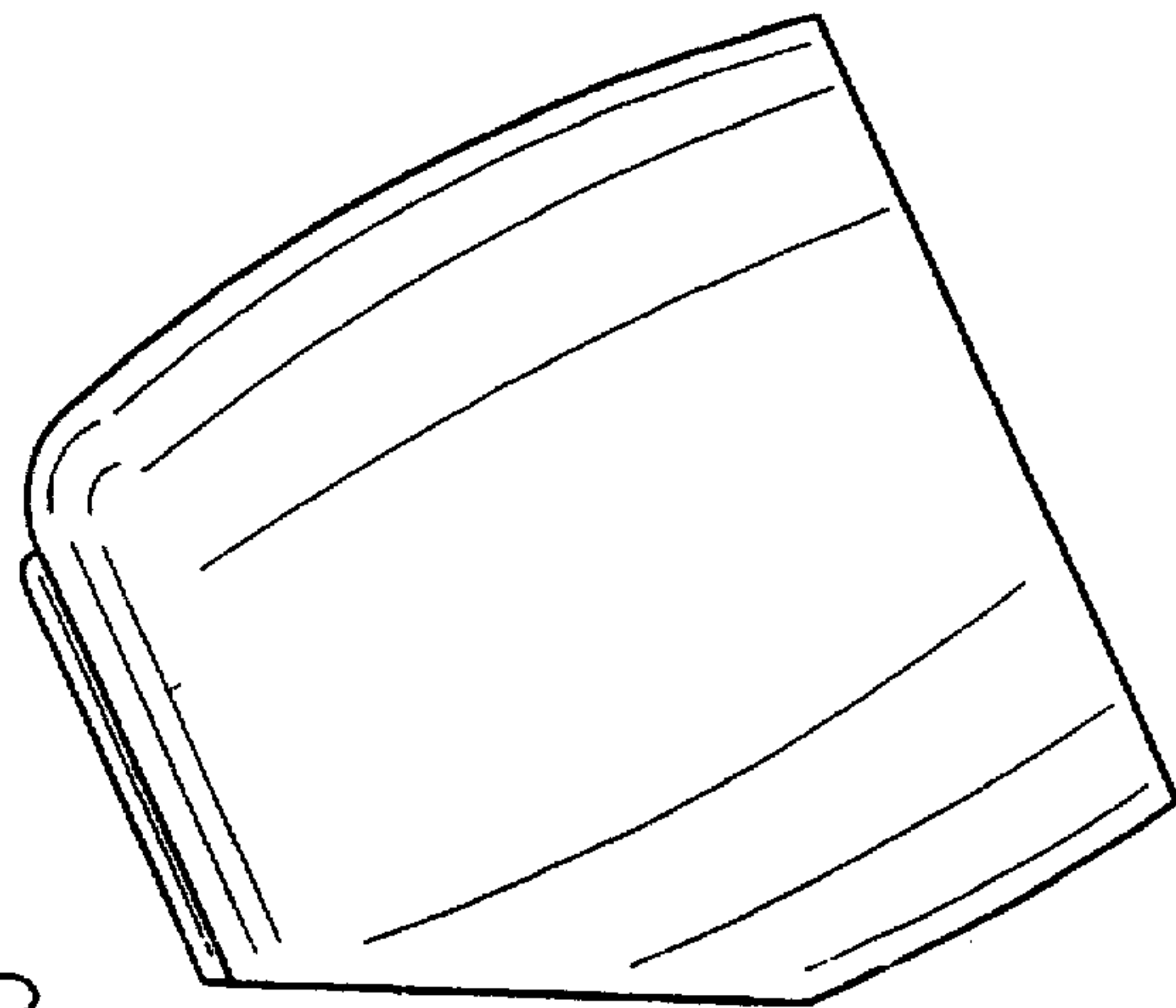


FIG. 3

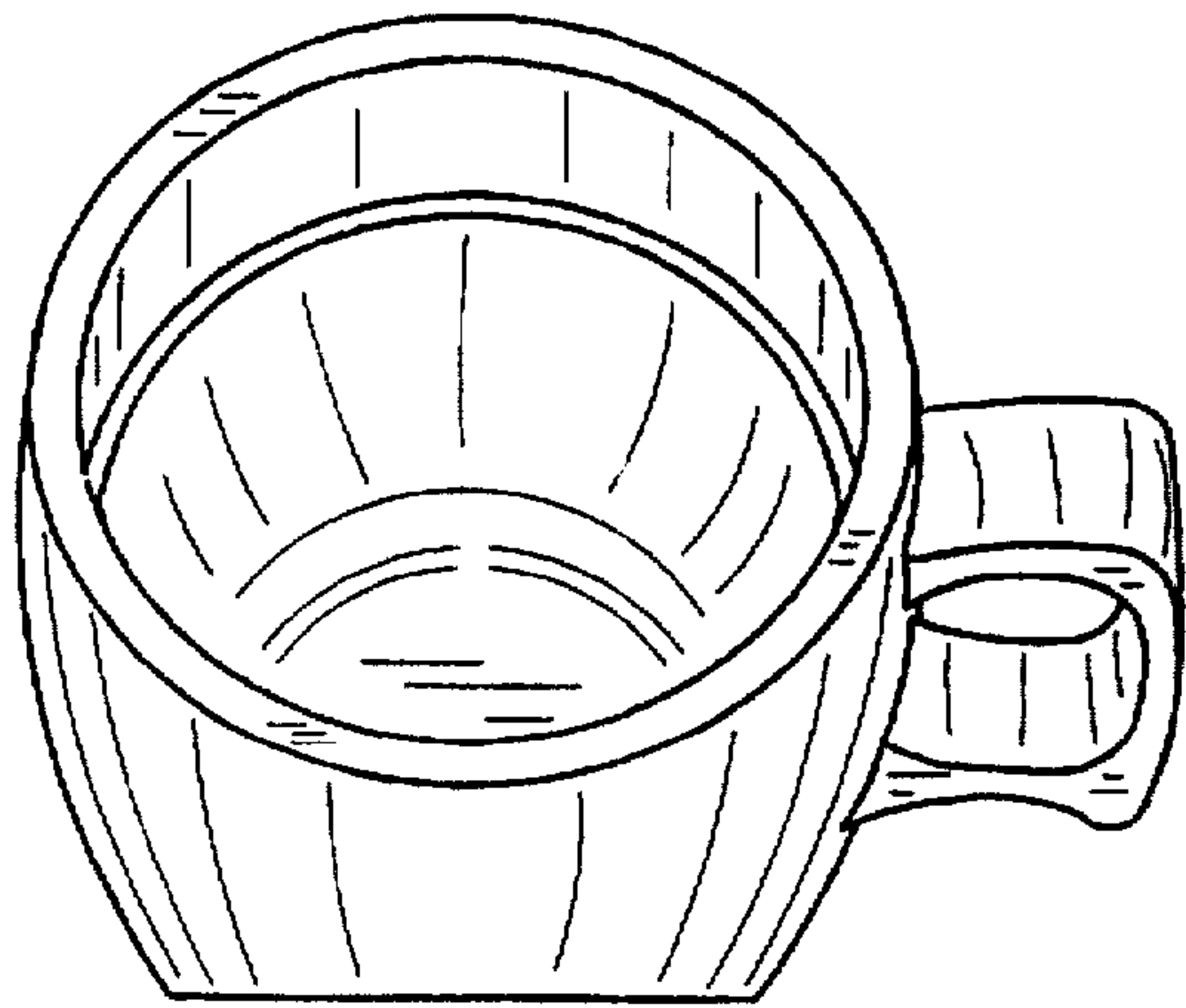


FIG. 4

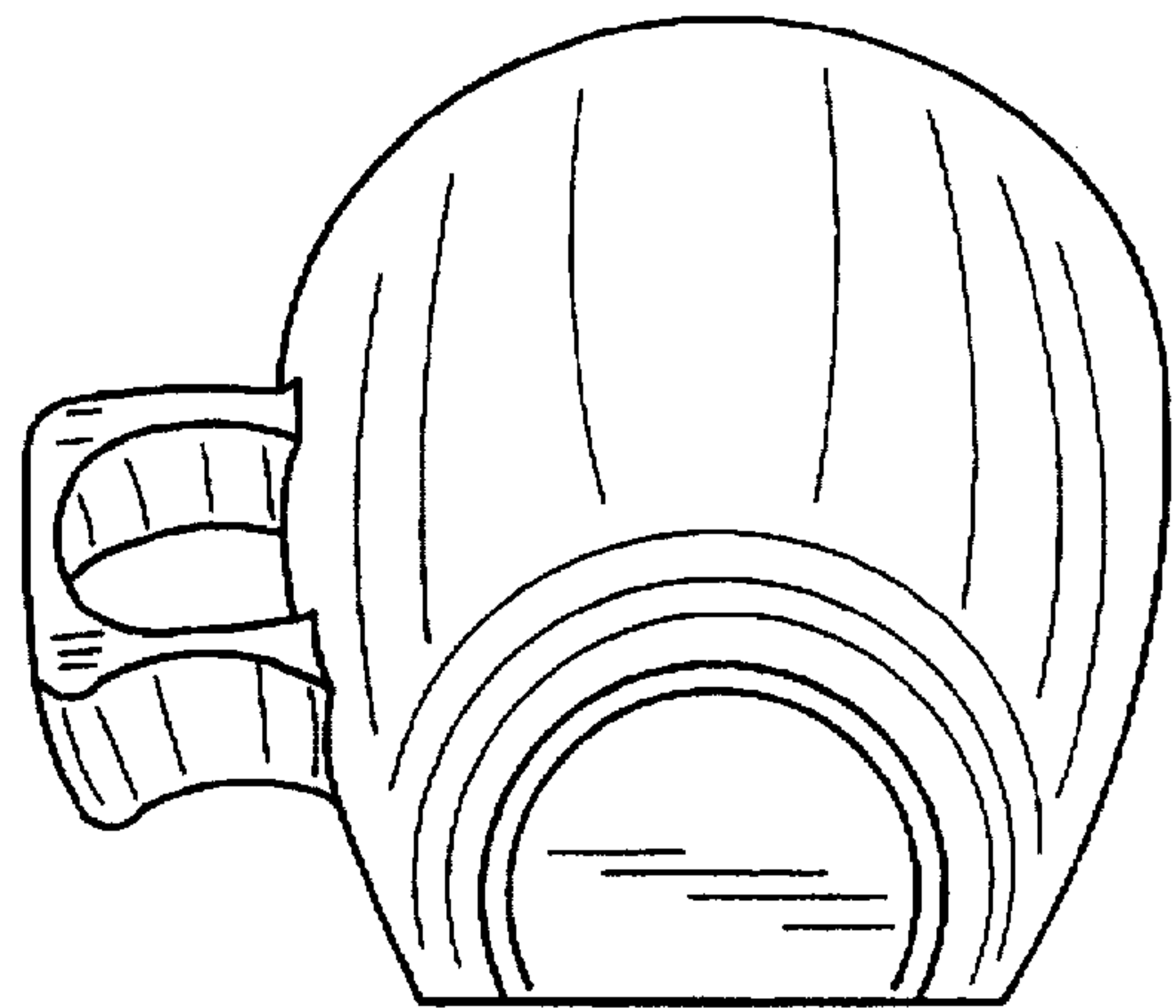


FIG. 5

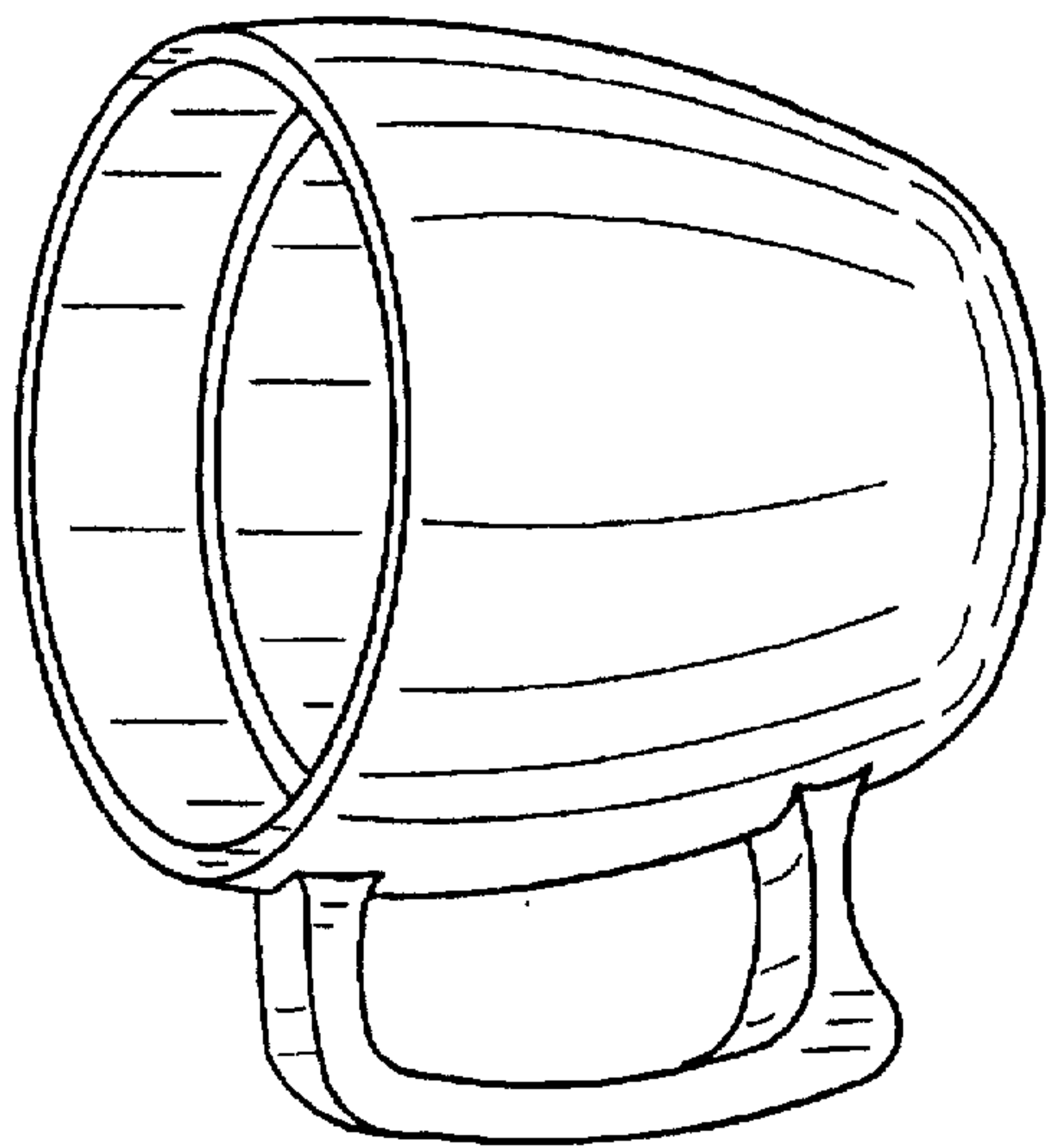


FIG. 6

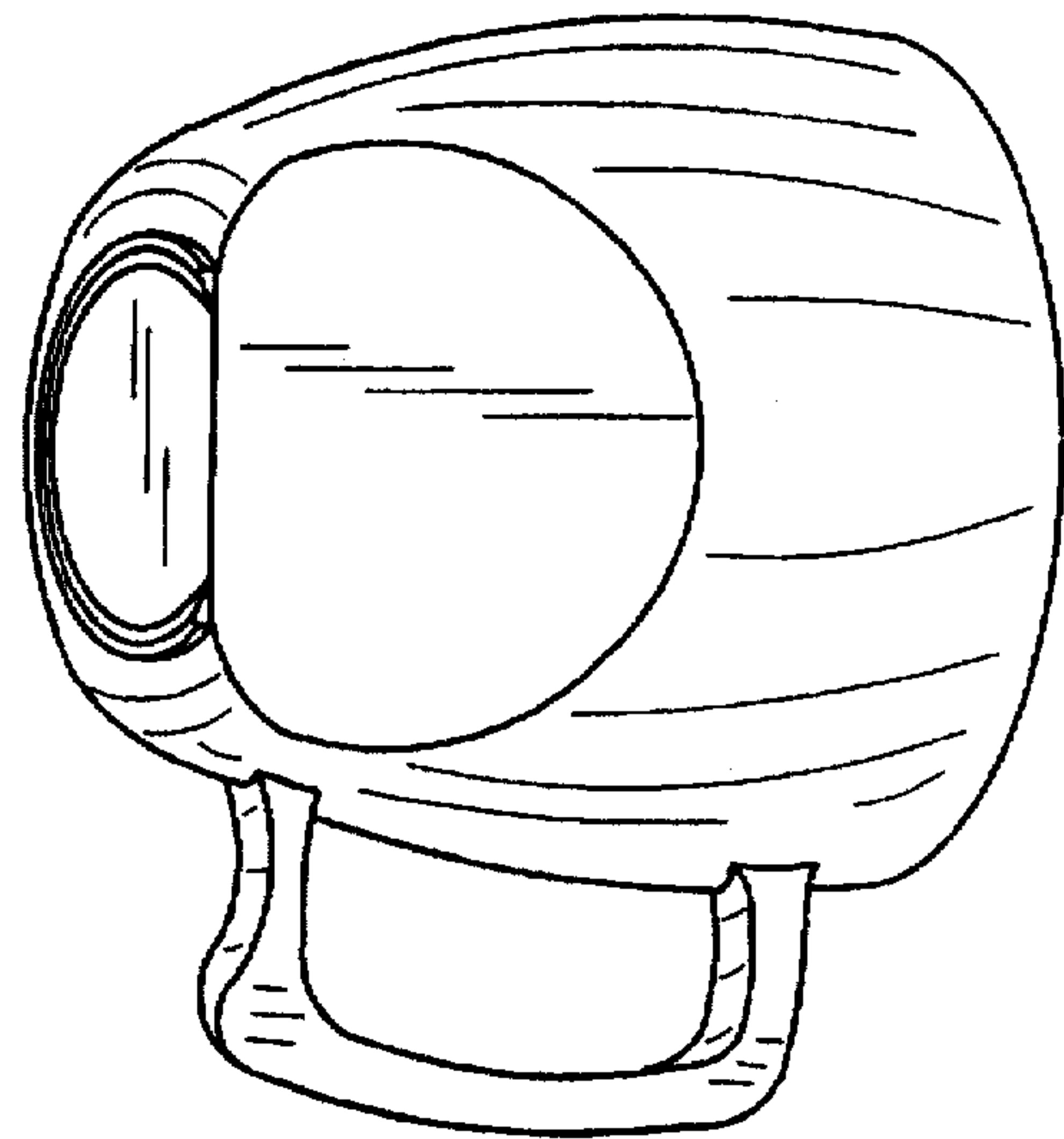


FIG. 7

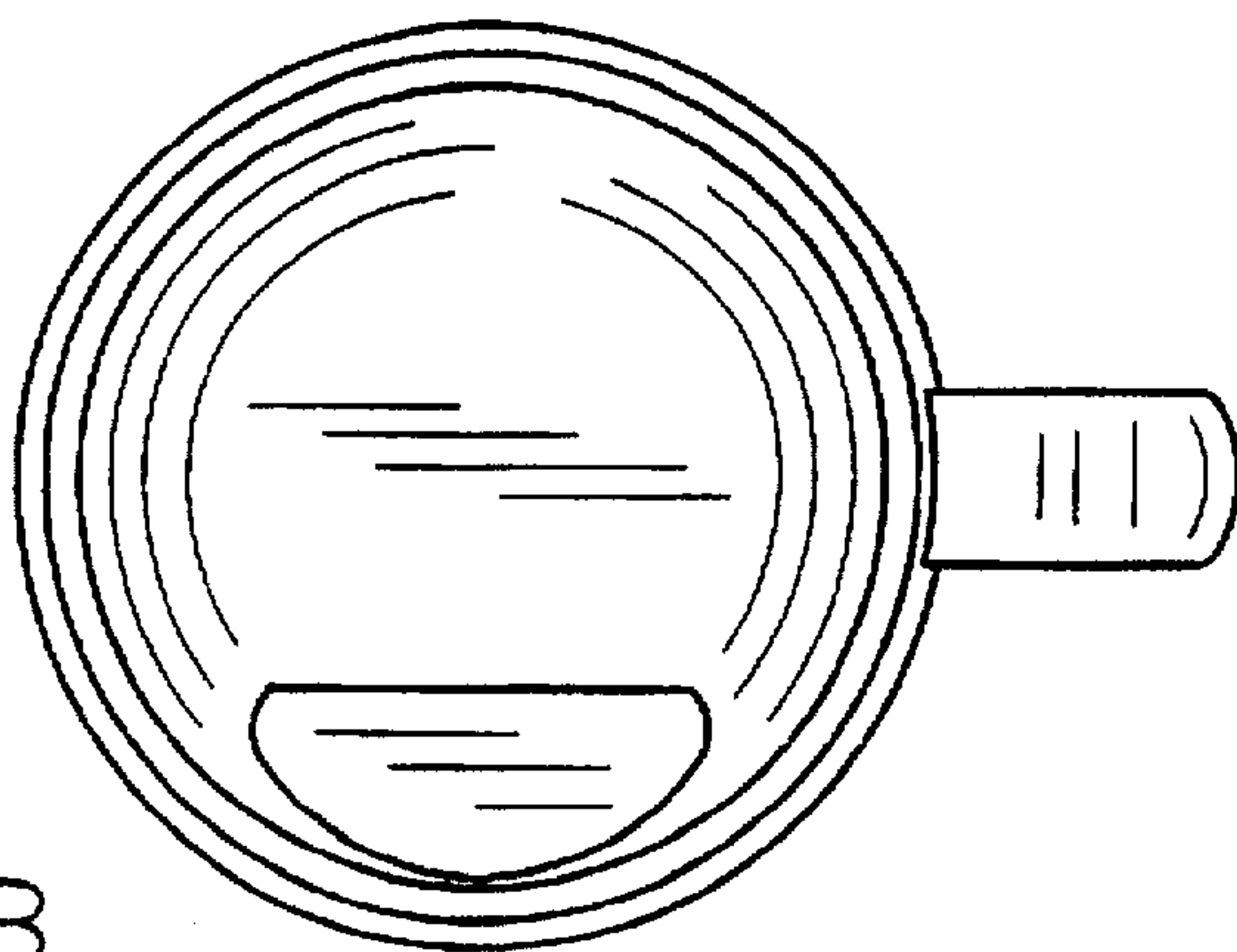


FIG. 8