



US00D386080S

# United States Patent [19]

Iwanaga

[11] Patent Number: **Des. 386,080**

[45] Date of Patent: **\*\*Nov. 11, 1997**

[54] **WATCHBOX**

[75] Inventor: **Kazuo Iwanaga**, Fort Lee, N.J.

[73] Assignee: **Kabushiki Kaisha Hattori Seiko**,  
Tokyo, Japan

[\*\*] Term: **14 Years**

[21] Appl. No.: **46,615**

[22] Filed: **Oct. 13, 1995**

[30] **Foreign Application Priority Data**

May 11, 1995 [JP] Japan ..... 7-13067

[51] **LOC (6) Cl.** ..... **09-07**

[52] **U.S. Cl.** ..... **D9/423; D9/428; D9/424**

[58] **Field of Search** ..... **D9/420-423, 424,**  
**D9/337, 430, 428; D3/201, 242, 243, 263-266,**  
**294; 206/566, 594, 524.3, 301, 6.1, 45.19,**  
**45.13, 45.14; 224/903**

[56] **References Cited**

**U.S. PATENT DOCUMENTS**

- D. 332,400 1/1993 Neff ..... D9/423
- D. 343,357 1/1994 Masunaga ..... D9/422

- D. 344,676 3/1994 Newman ..... D9/430
- D. 349,553 8/1994 Au ..... D9/422
- D. 357,858 5/1995 Dikowitz ..... D9/422
- 4,732,269 3/1988 Roy ..... 206/45.13
- 4,830,181 5/1989 Hartman ..... 206/45.19
- 5,181,608 1/1993 Herzog ..... 206/45.14 X

**OTHER PUBLICATIONS**

Packaging, 1959, p. 167, Item#519.

*Primary Examiner*—Prabhakar Deshmukh

*Attorney, Agent, or Firm*—Stroock & Stroock & Lavan

[57] **CLAIM**

The ornamental design for a watchbox, as shown and described.

**DESCRIPTION**

FIG. 1 is a perspective view of a design for a watchbox in accordance with my new design;

FIG. 2 is a front elevational view thereof;

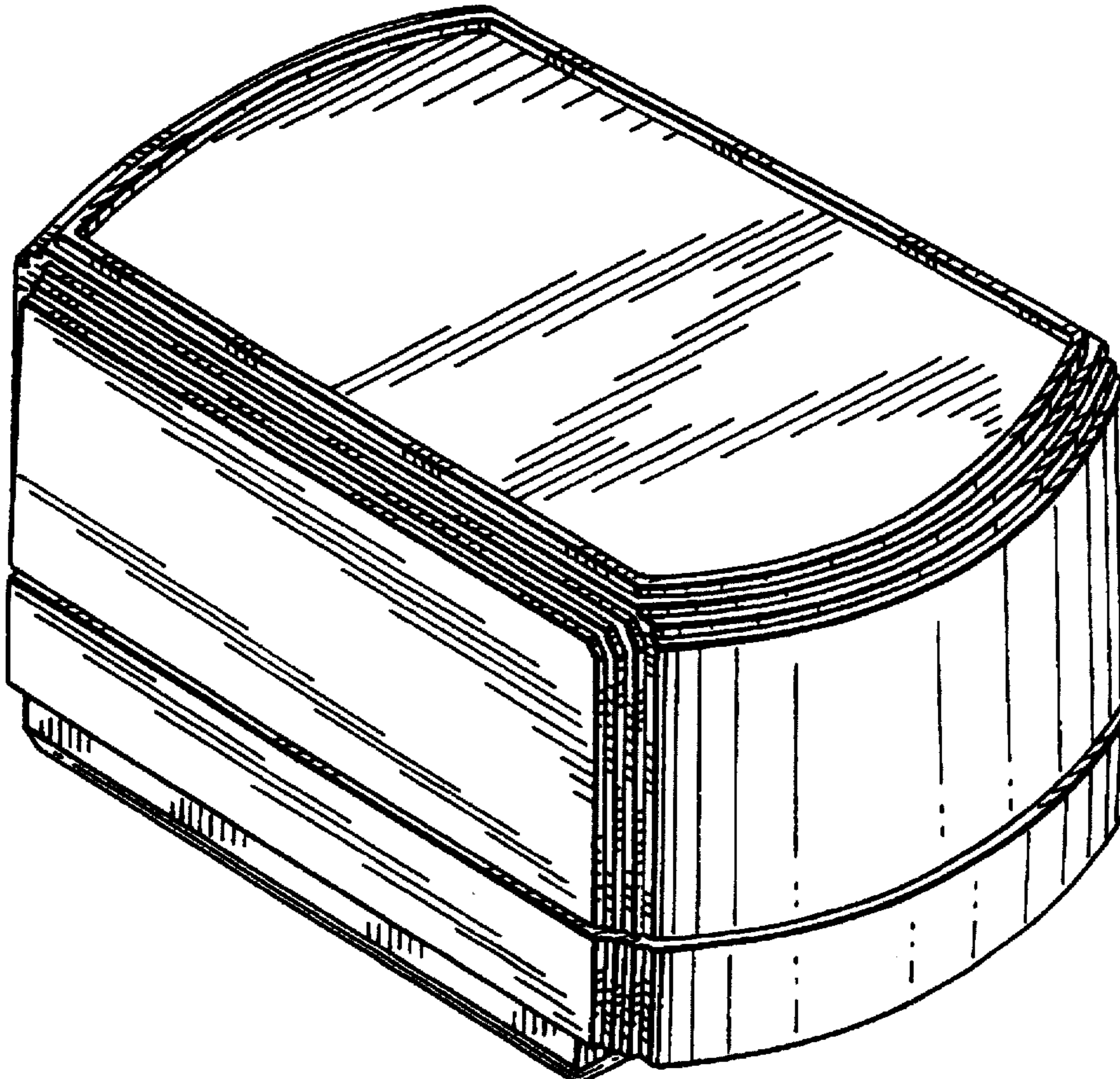
FIG. 3 is a top plan view thereof;

FIG. 4 is a right side view thereof, the left side view being identical thereto;

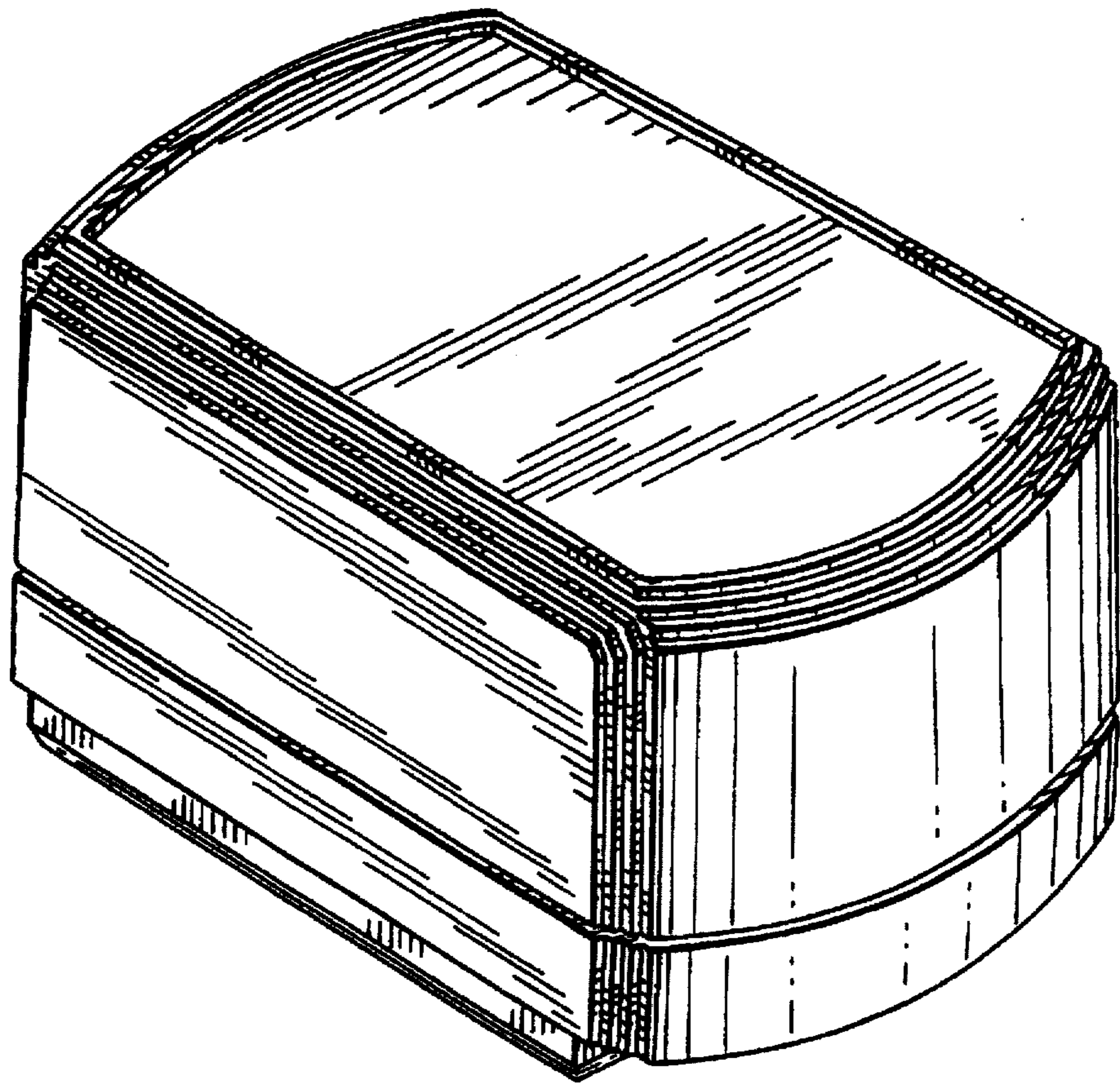
FIG. 5 is a bottom plan view thereof; and,

FIG. 6 is a rear elevational view thereof.

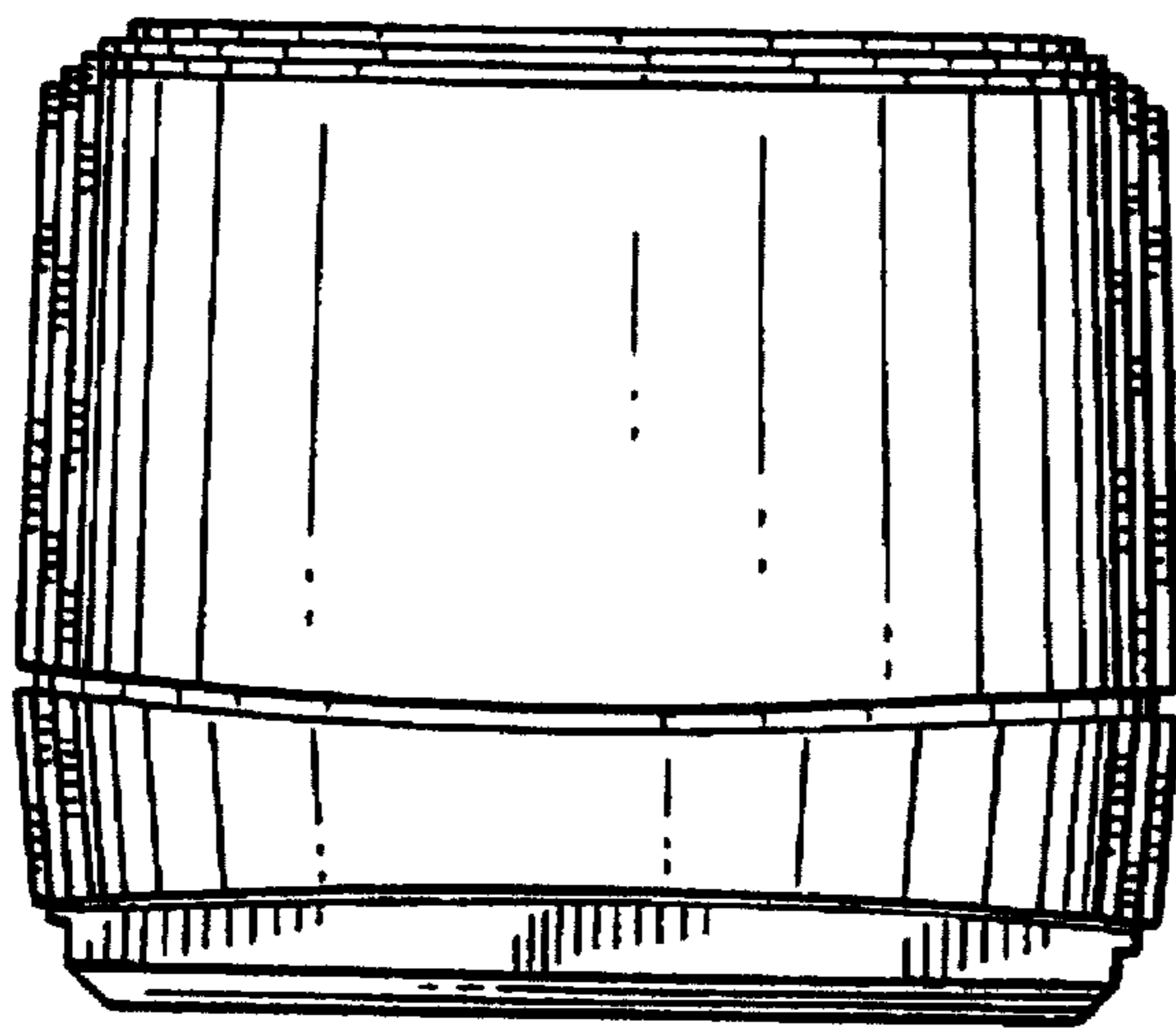
**1 Claim, 3 Drawing Sheets**

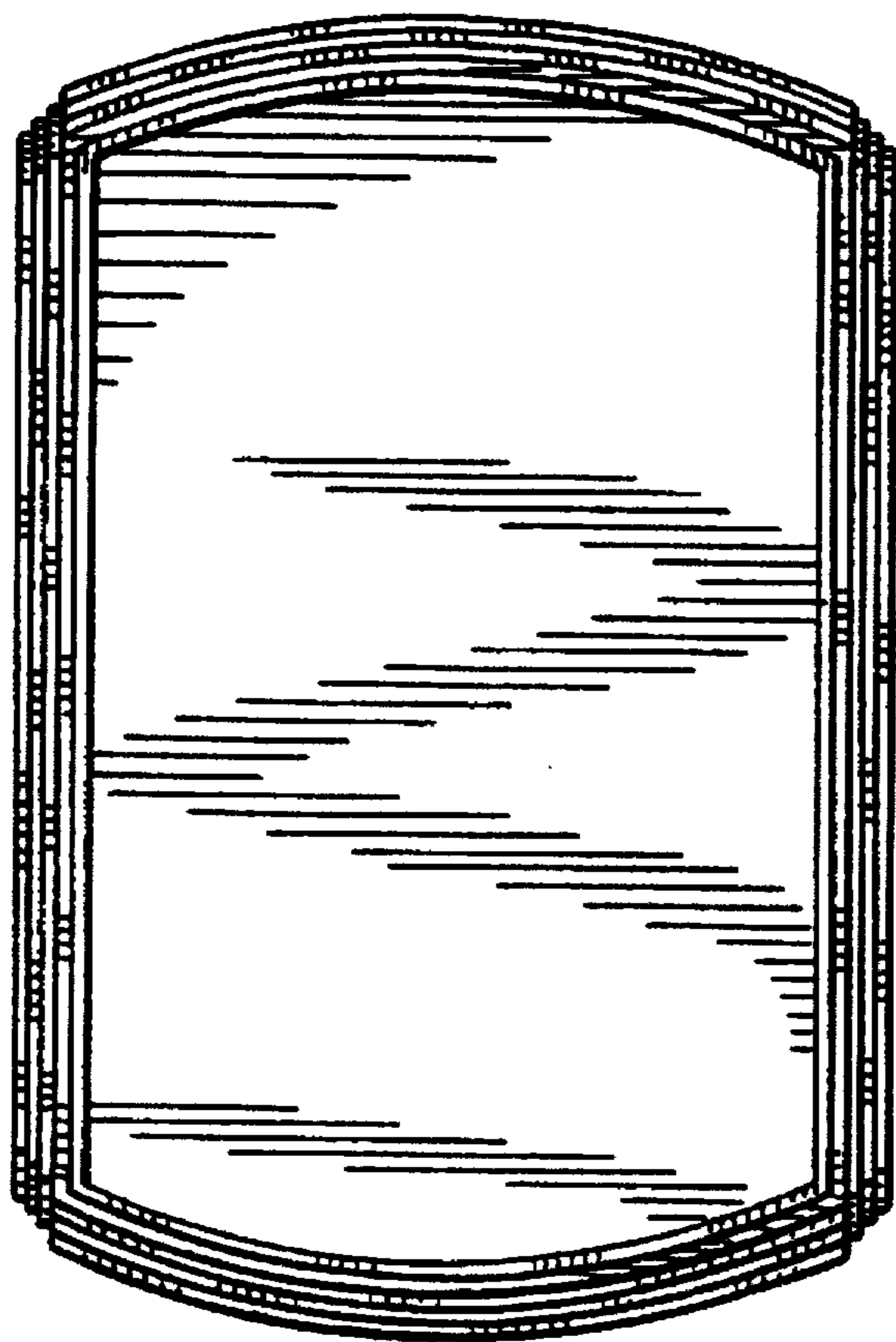


*FIG. 1*



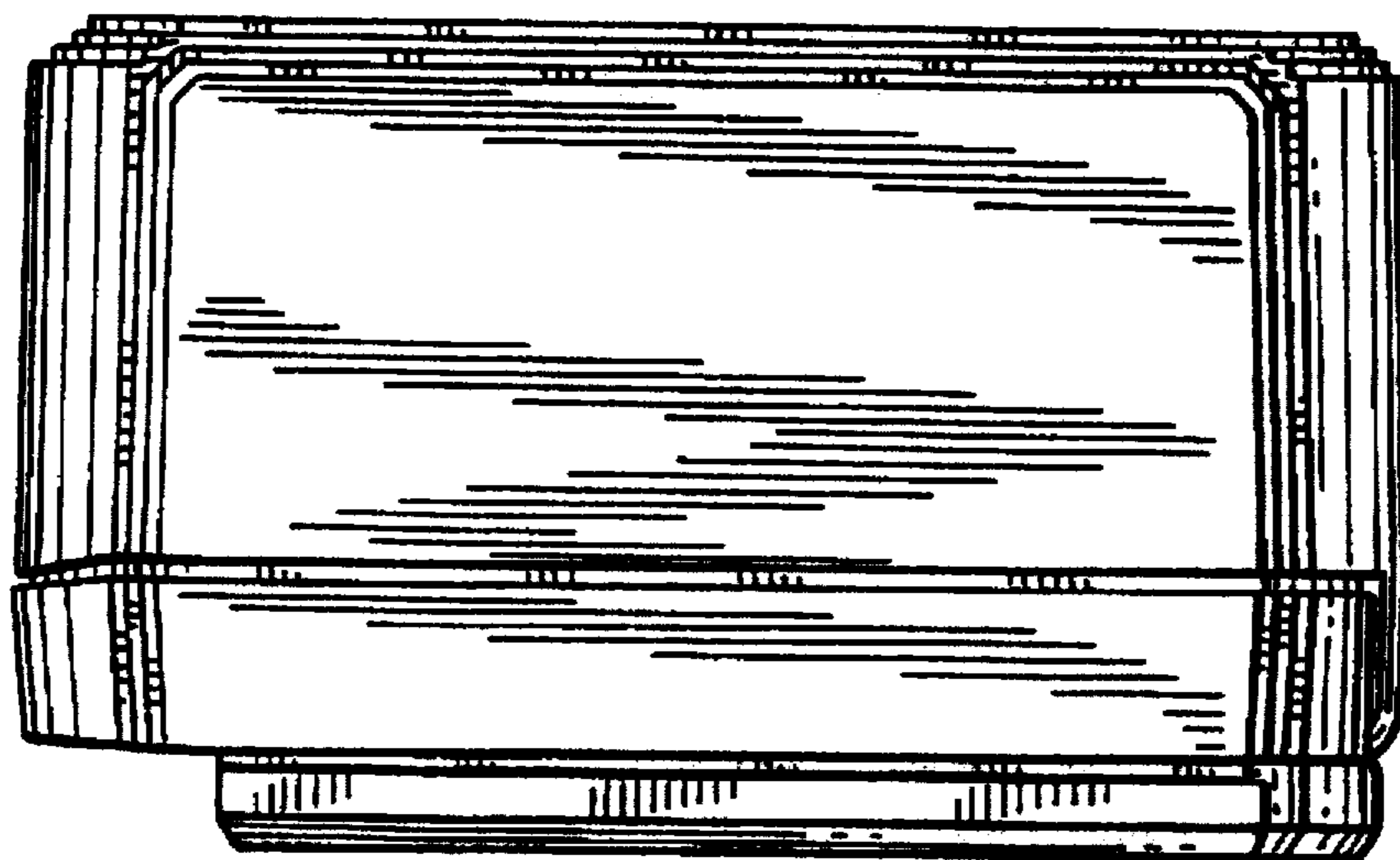
*FIG. 2*



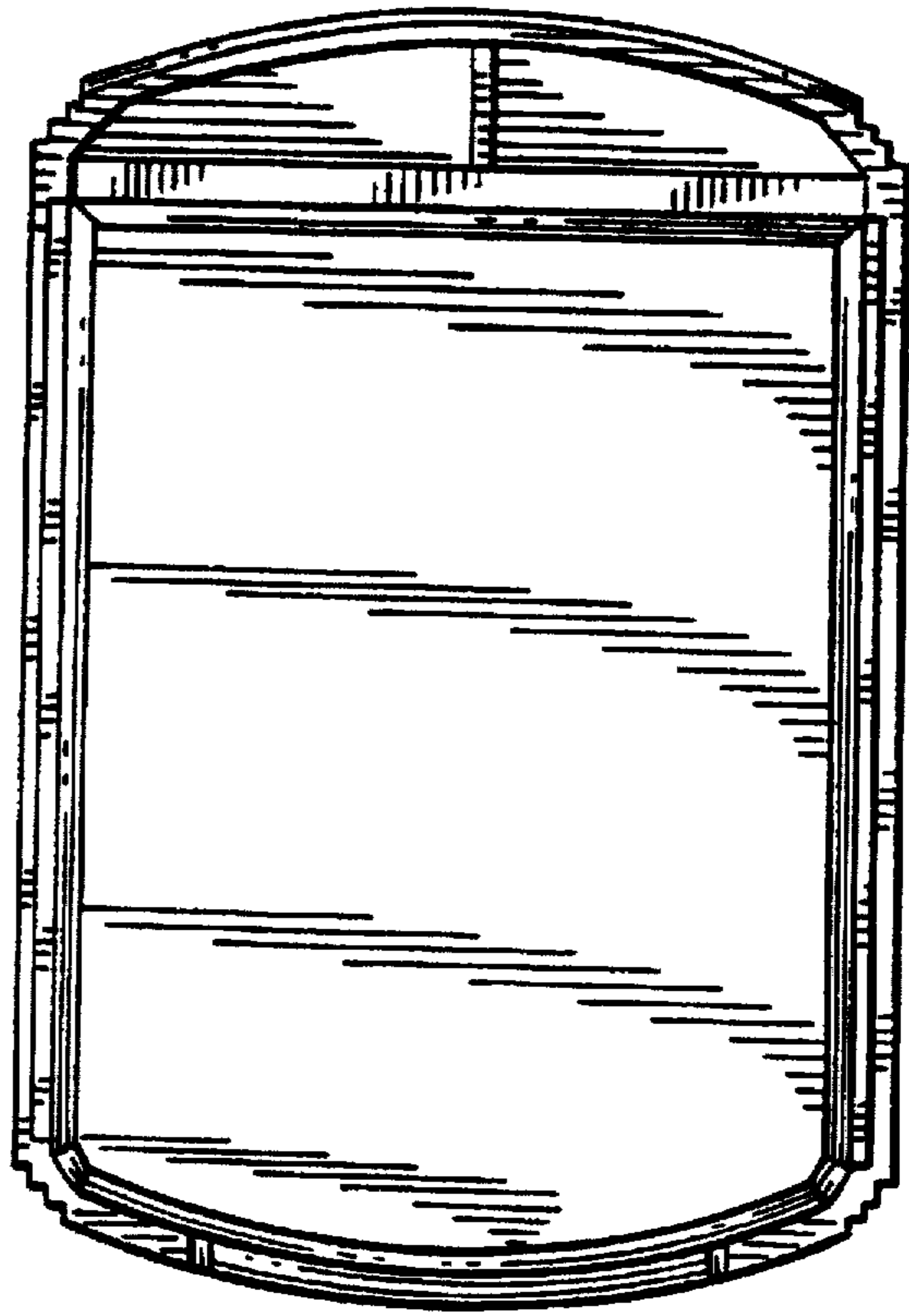


*FIG. 3*

*FIG. 4*



*FIG. 5*



*FIG. 6*

