



US00D386079S

United States Patent [19] Harper

[11] Patent Number: **Des. 386,079**

[45] Date of Patent: ****Nov. 11, 1997**

[54] **PACKAGING CONTAINER**

[75] Inventor: **Ronald G. Harper**, Half Moon Bay, Calif.

[73] Assignee: **Galoob Toys, Inc.**, South San Francisco, Calif.

[**] Term: **14 Years**

[21] Appl. No.: **58,828**

[22] Filed: **Aug. 26, 1996**

[51] LOC (6) Cl. **09-07**

[52] U.S. Cl. **D9/418**

[58] Field of Search D9/418, 415, 432, D9/341, 345, 337, 456; 206/776, 778, 781, 782, 769, 770, 771; 229/162

2,980,242 4/1961 Miller 206/781
 3,057,466 10/1962 Blonder et al. 206/781
 5,172,806 12/1992 Mickelberg 206/769 X
 5,289,916 3/1994 Mickelberg 206/769 X

OTHER PUBLICATIONS

Modern Packaging, p. 42 1941.
 Modern Packaging, p. 134 1972-73.

Primary Examiner—Prabhakar G. Deshmuki
Attorney, Agent, or Firm—Dergosits & Noah LLP

[57] CLAIM

The ornamental design for a packaging container, as shown and described.

DESCRIPTION

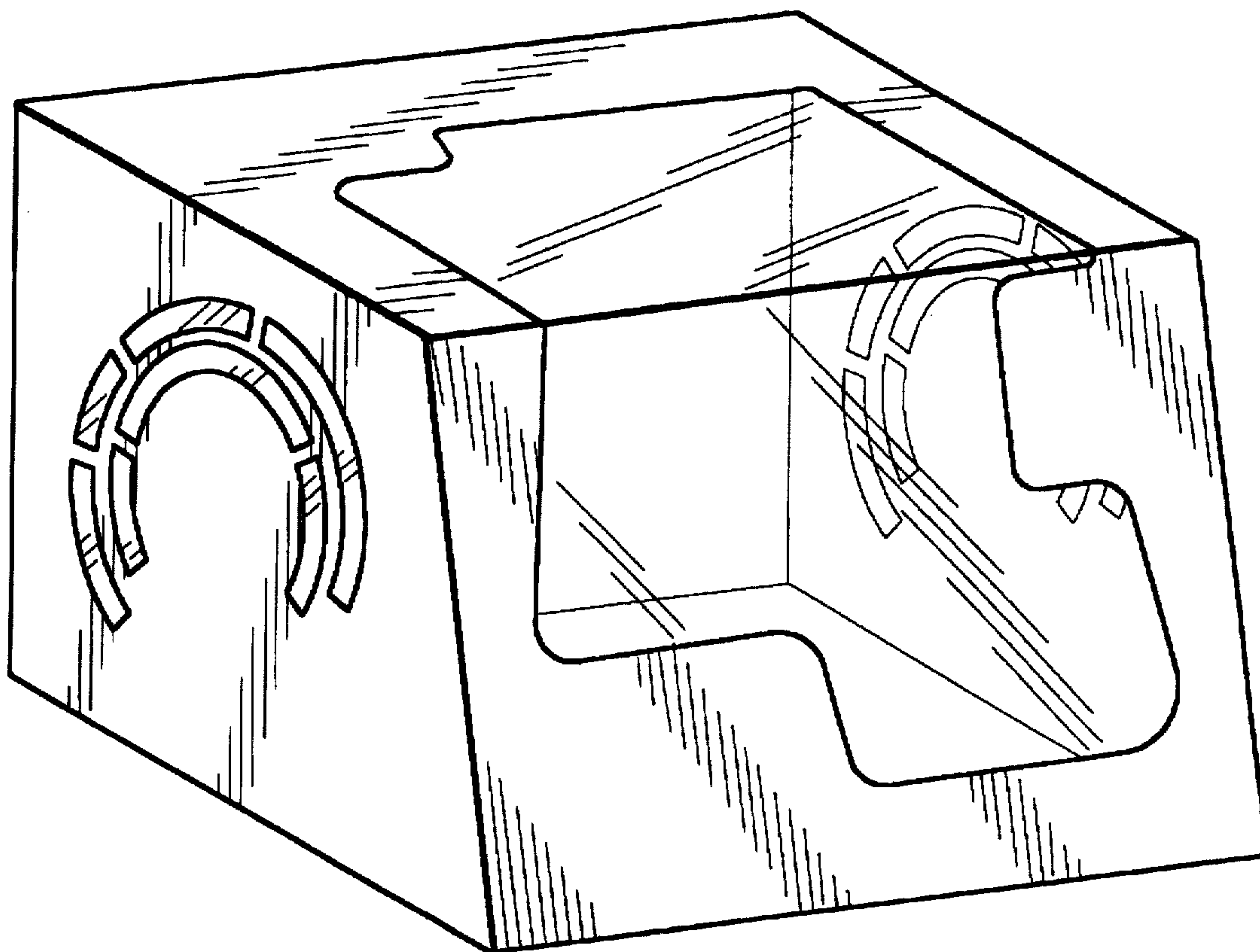
FIG. 1 is a perspective view of the packaging container showing my new design;
 FIG. 2 is a left side elevation view thereof;
 FIG. 3 is a front elevation view thereof;
 FIG. 4 is a top plan view thereof;
 FIG. 5 is a right side elevation view thereof; and,
 FIG. 6 is a rear elevation view thereof.
 The bottom is unornamented.

[56] References Cited

U.S. PATENT DOCUMENTS

D. 112,844 1/1939 Medoff .
 D. 275,837 10/1984 Poelvoorde .
 D. 319,185 8/1991 Ferrero .
 D. 326,225 5/1992 Beckerman et al. .
 D. 371,959 7/1996 Hupp D9/418 X

1 Claim, 2 Drawing Sheets



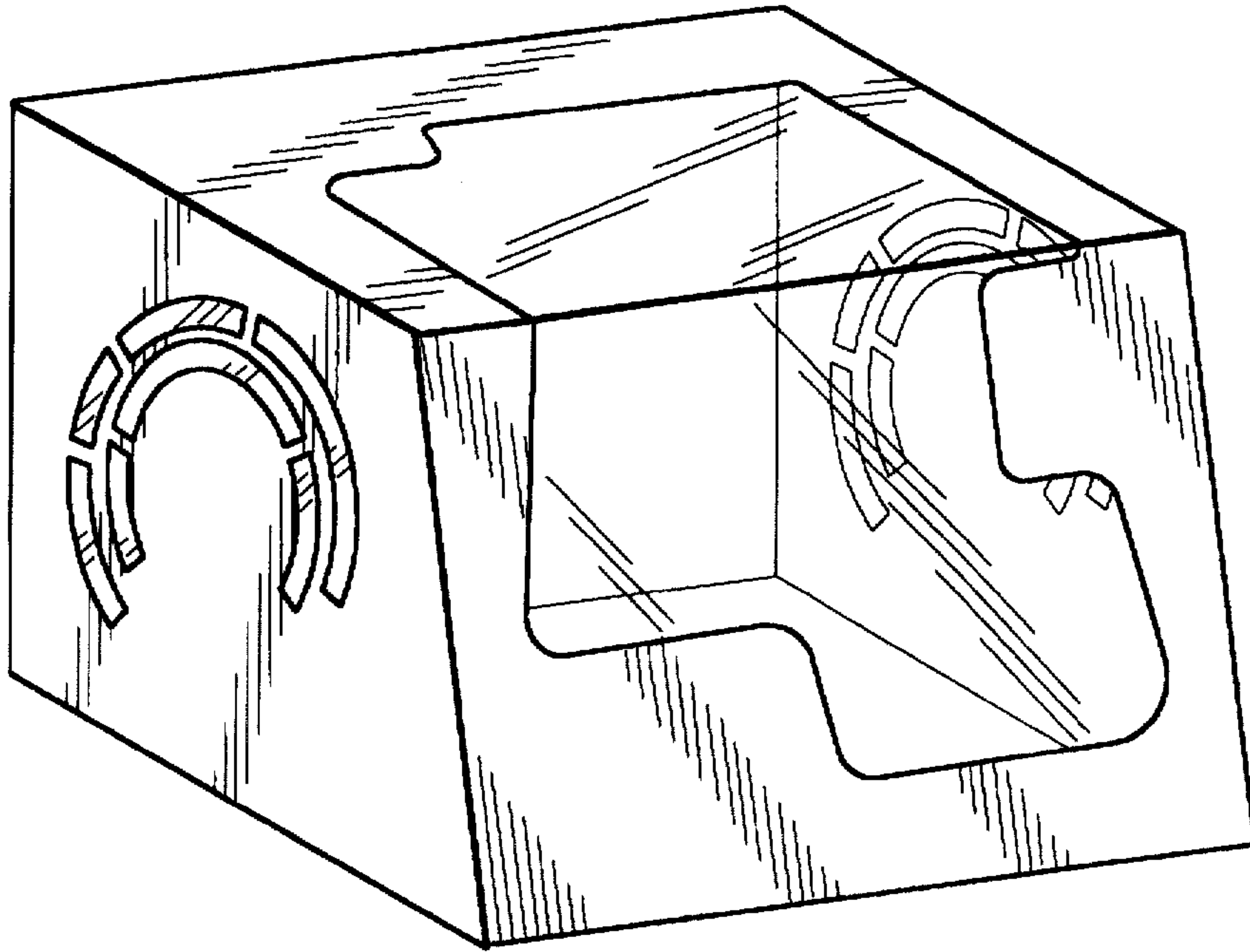


FIG. 1

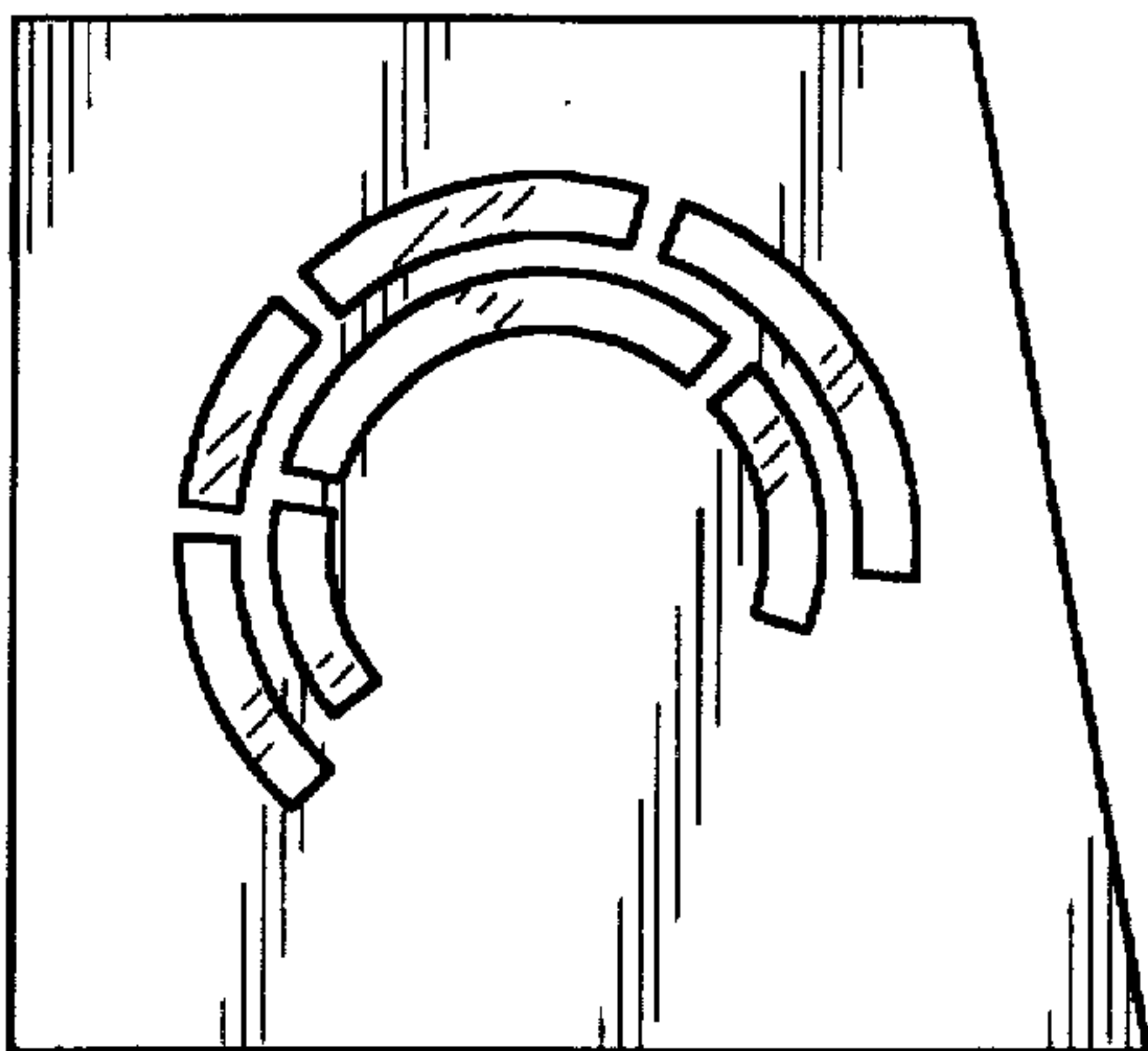


FIG. 2

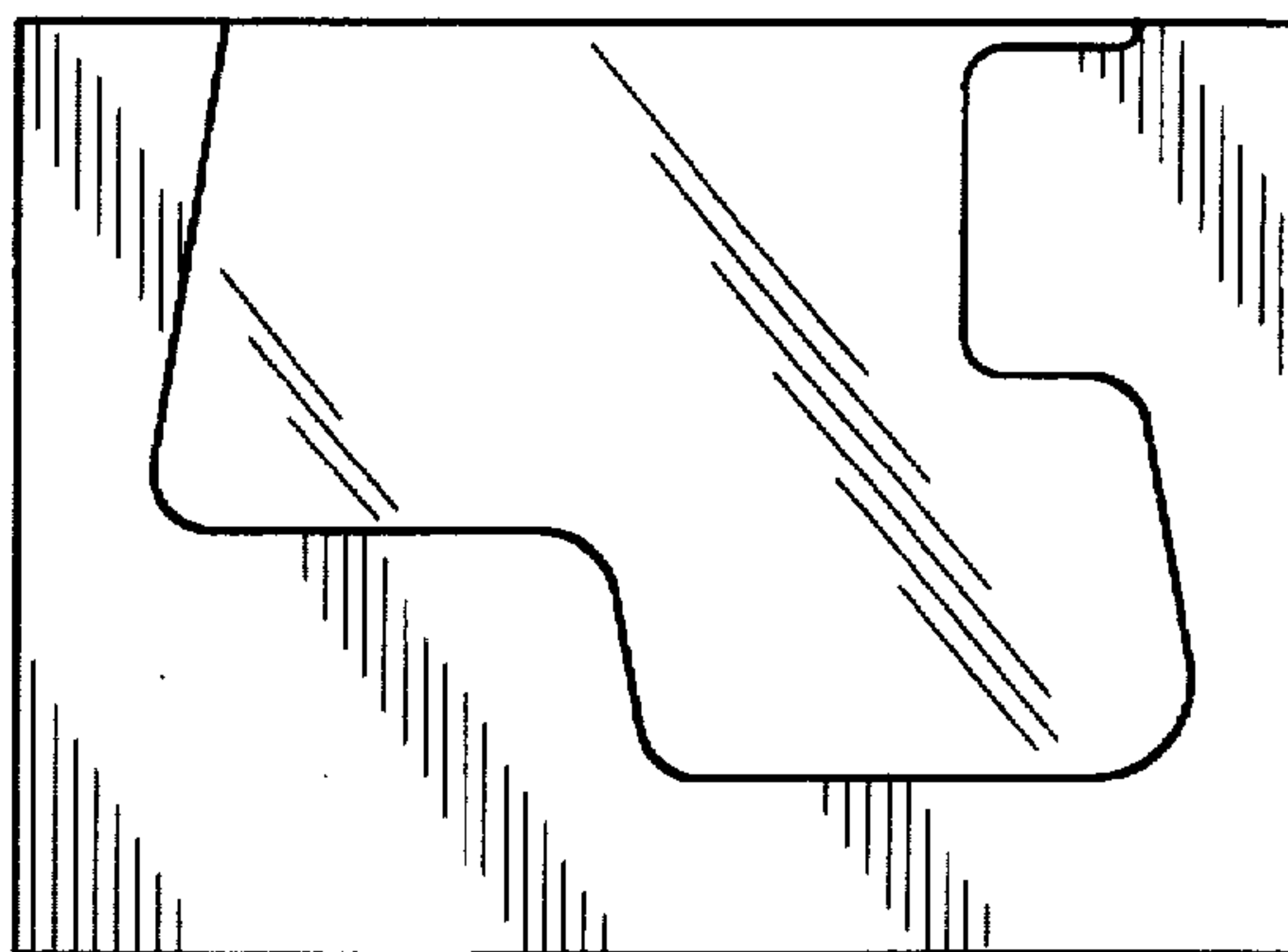


FIG. 3

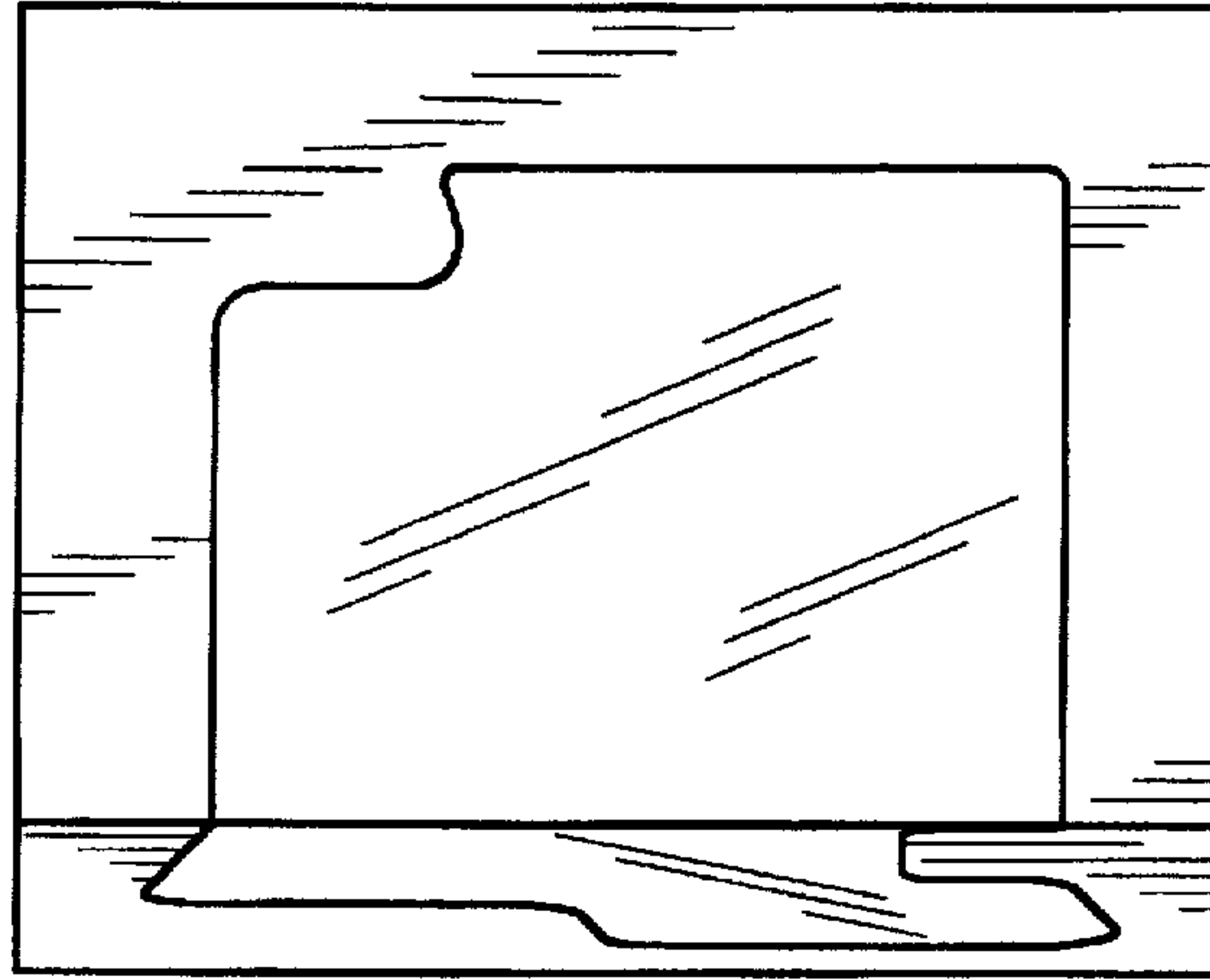


FIG. 4

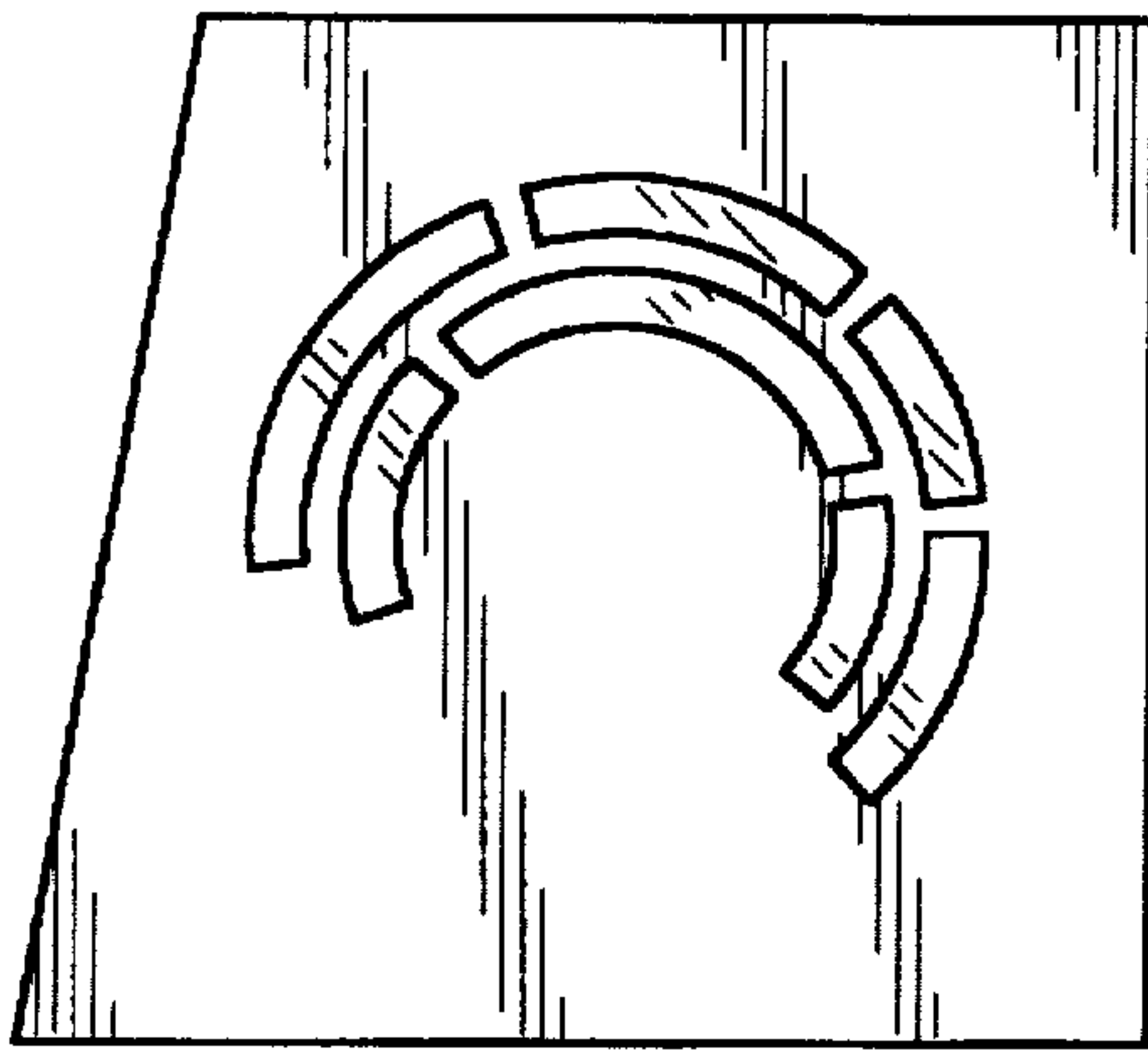


FIG. 5

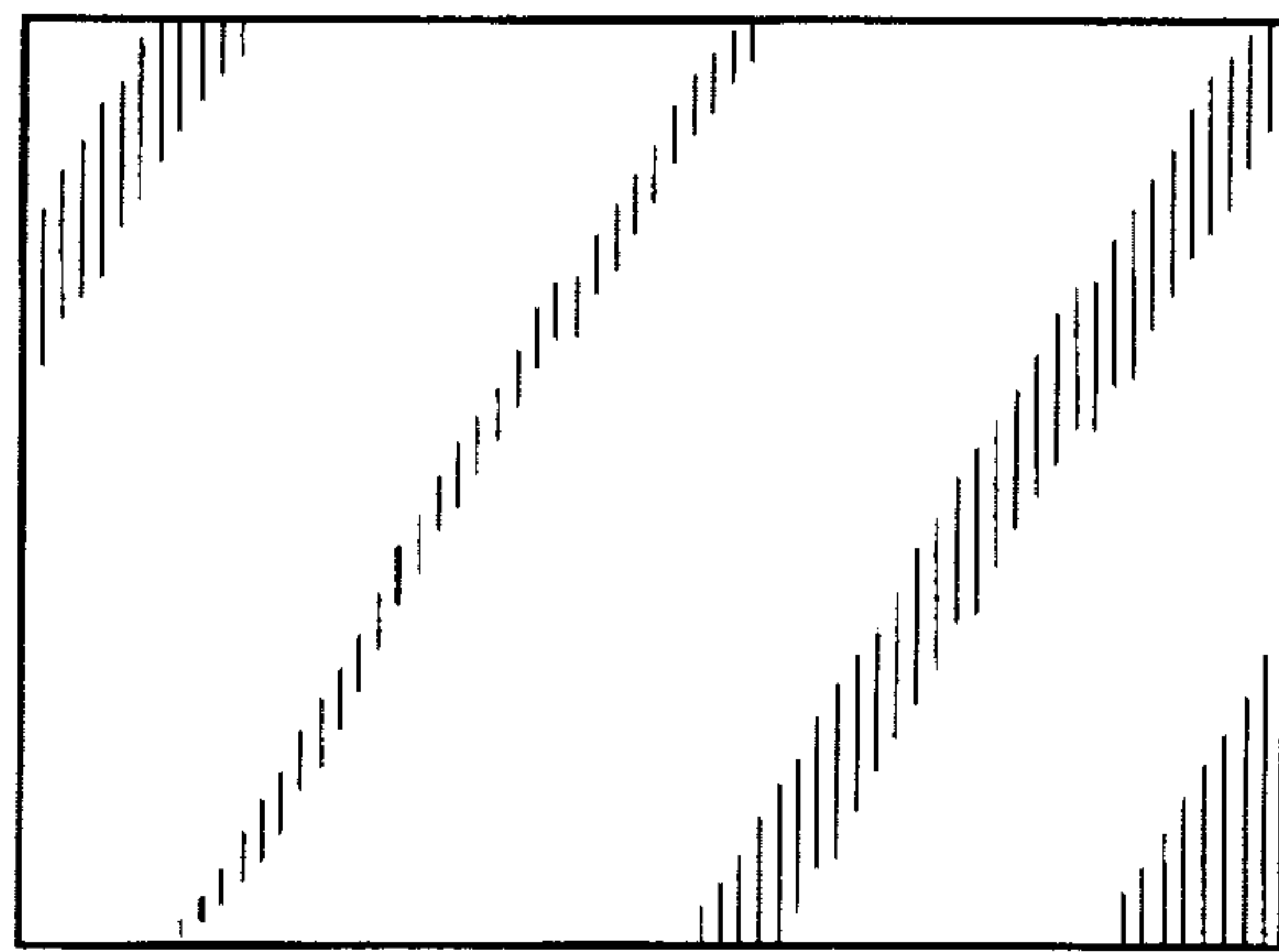


FIG. 6