



US00D386075S

# United States Patent [19]

Hayes et al.

[11] Patent Number: **Des. 386,075**

[45] Date of Patent: **\*\*Nov. 11, 1997**

[54] **FOOD TRAY**

[75] Inventors: **Thomas J. Hayes, Wauconda; Michael J. A. Sagan, Batavia; James N. Gomoll, Chicago, all of Ill.; Mark Spencer, Pittsford, N.Y.**

[73] Assignee: **Tenneco Packaging, Evanston, Ill.**

[\*\*] Term: **14 Years**

[21] Appl. No.: **60,172**

[22] Filed: **Sep. 24, 1996**

[51] LOC (6) Cl. .... **09-03**

[52] U.S. Cl. .... **D9/341; D9/425; D7/553**

[58] Field of Search ..... **D9/341, 347, 345, D9/425, 429, 456, 424; D7/550, 553, 554, 601, 602; 206/557, 558; 229/406, 407; 220/528, 553, 556, 669, 670, 675; 426/106, 114, 129, 130**

[56] **References Cited**

**U.S. PATENT DOCUMENTS**

D. 223,144	3/1972	Bloch	.....	D9/341
D. 235,498	6/1975	Day	.....	D7/554
D. 235,499	6/1975	Day	.....	D7/554
D. 349,456	8/1994	Wilson	.....	D9/341 X
D. 352,203	11/1994	Campbell et al.	.....	D7/553
2,738,915	3/1956	Clair	.....	229/406
3,401,863	9/1968	Earl	.....	229/406

4,456,164	6/1984	Foster et al.	.....	229/406 X
5,236,119	8/1993	Chu	.....	220/556 X
5,335,787	8/1994	Finchum et al.	.....	229/407 X

**FOREIGN PATENT DOCUMENTS**

790950	7/1968	Canada	.....	220/556
3110847	9/1982	Germany	.....	426/114
2044226	10/1980	United Kingdom	.....	220/556

**OTHER PUBLICATIONS**

Packaging, Feb. 1988, p. 78.  
Rubbermaid, Jun. 1985.

*Primary Examiner*—Prabhakar G. Deshmukh  
*Attorney, Agent, or Firm*—Arnold, White & Durkee

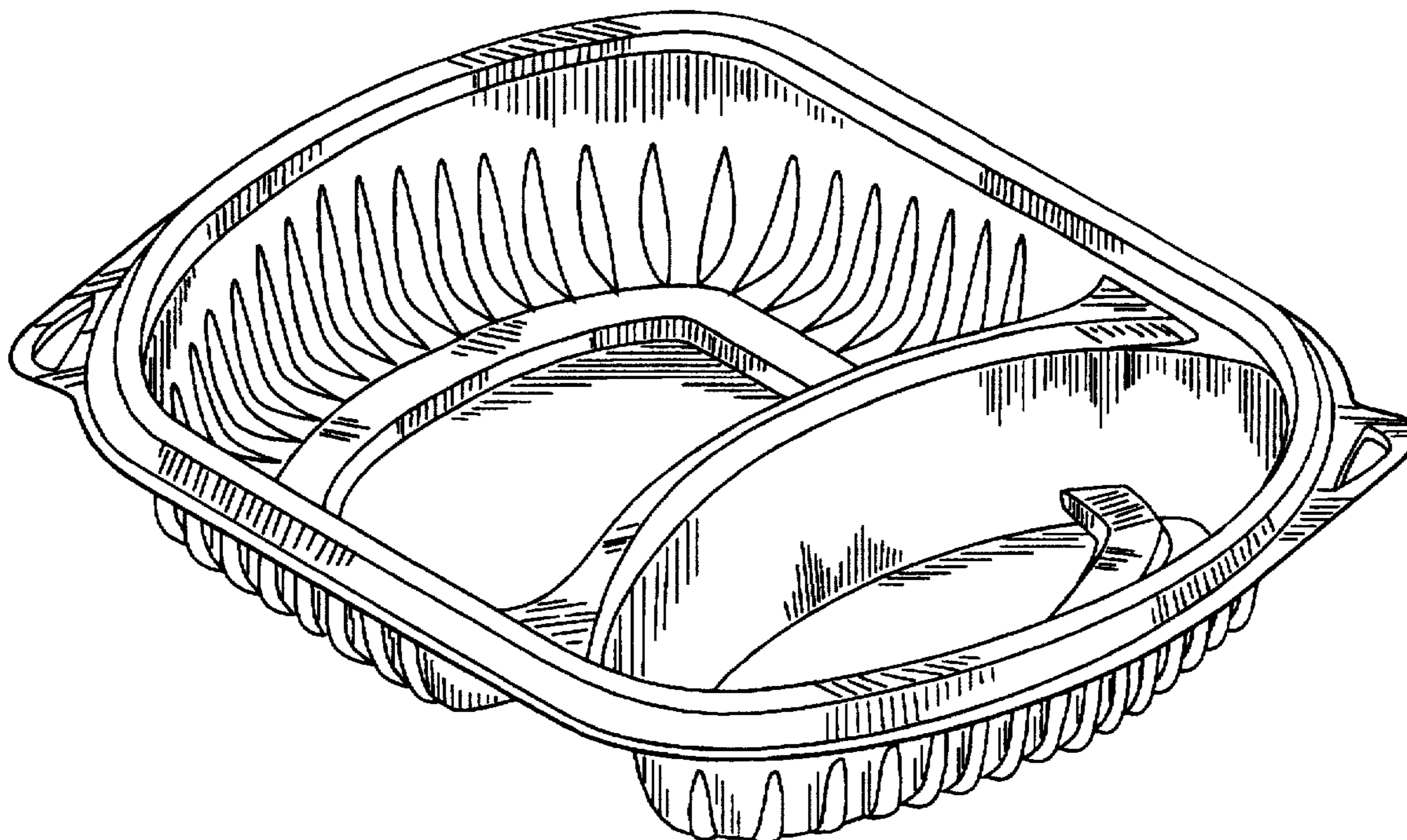
[57] **CLAIM**

The ornamental design for a food tray, as shown and described.

**DESCRIPTION**

FIG. 1 is a perspective view of a food tray showing our new design;  
FIG. 2 is a right side elevational view thereof;  
FIG. 3 is a left side elevational view thereof;  
FIG. 4 is a rear elevational view thereof;  
FIG. 5 is a front elevational view thereof;  
FIG. 6 is a top plan view thereof; and,  
FIG. 7 is a bottom plan view thereof.

**1 Claim, 5 Drawing Sheets**



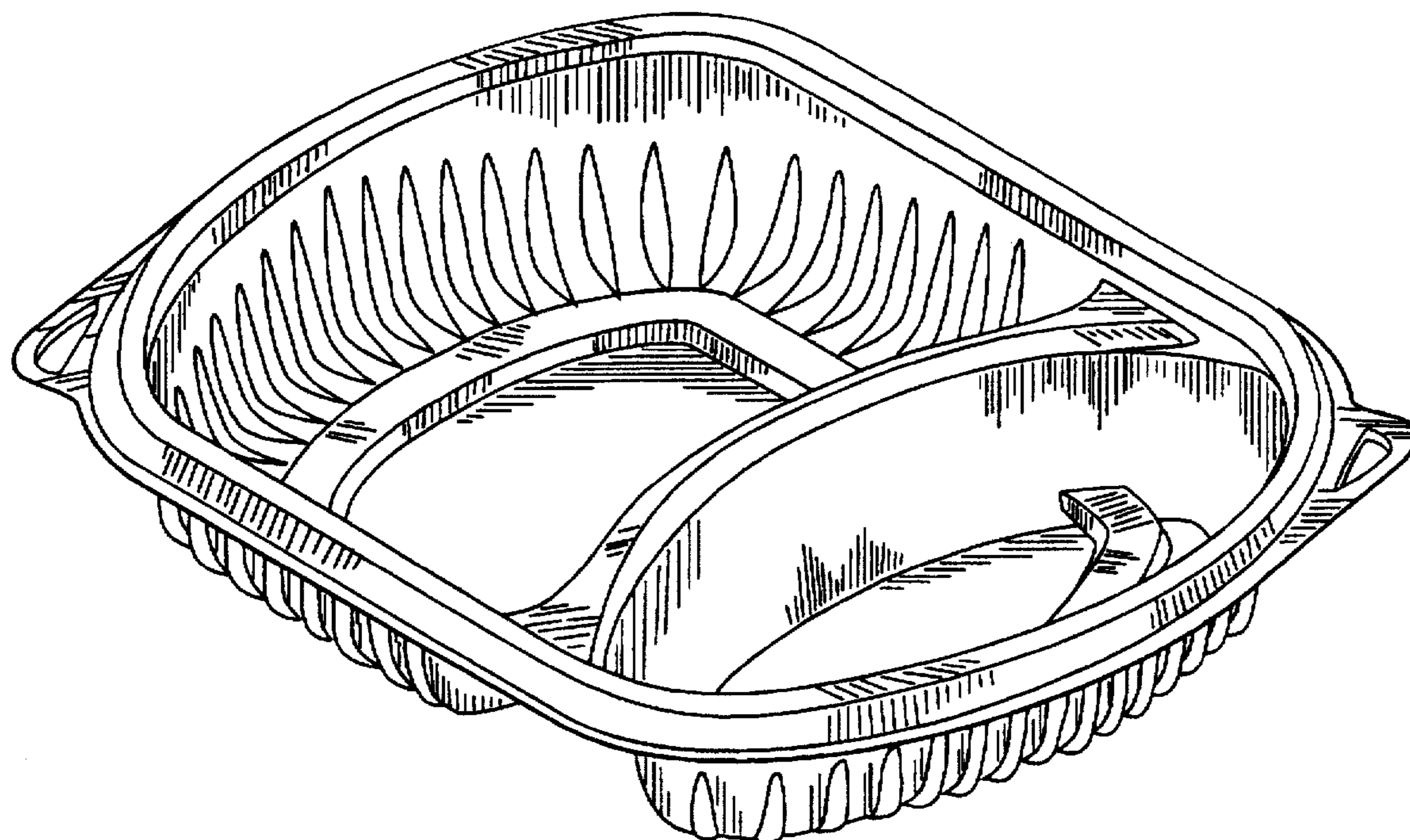


Fig. 1

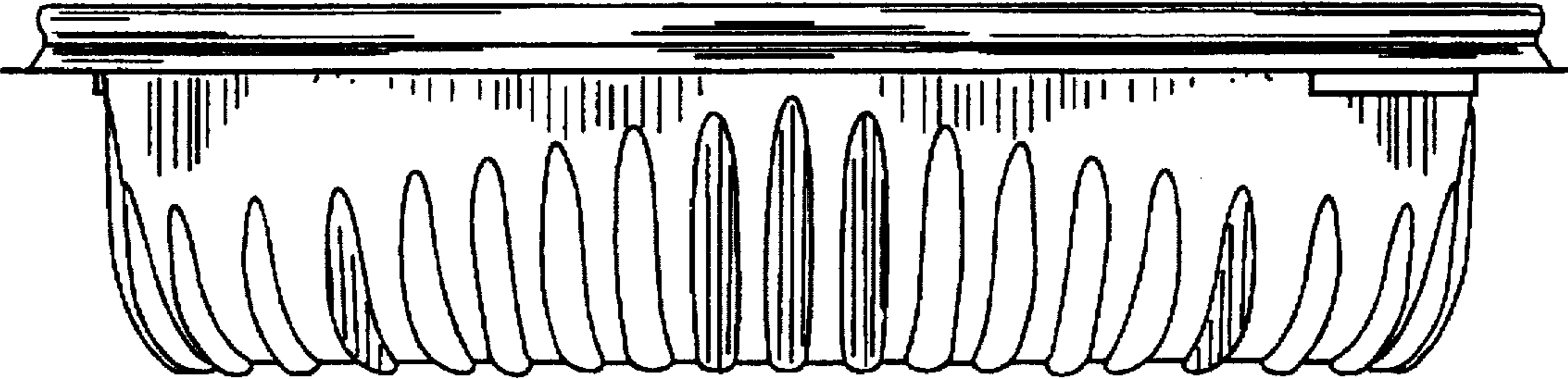


Fig. 2

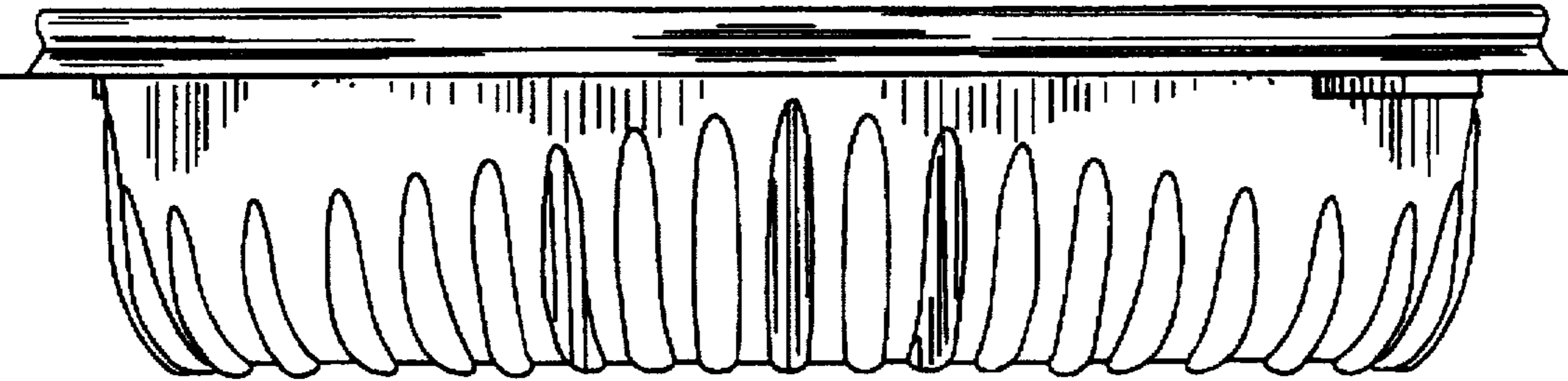


Fig. 3

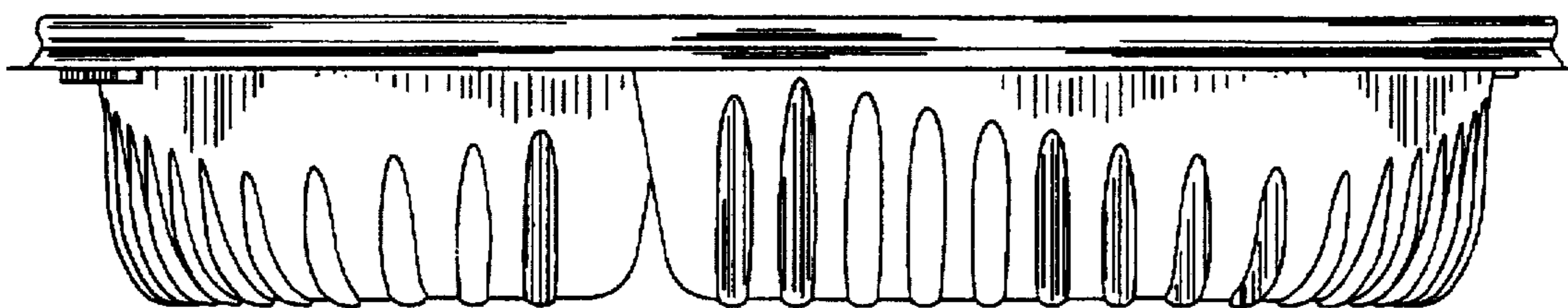


Fig. 4

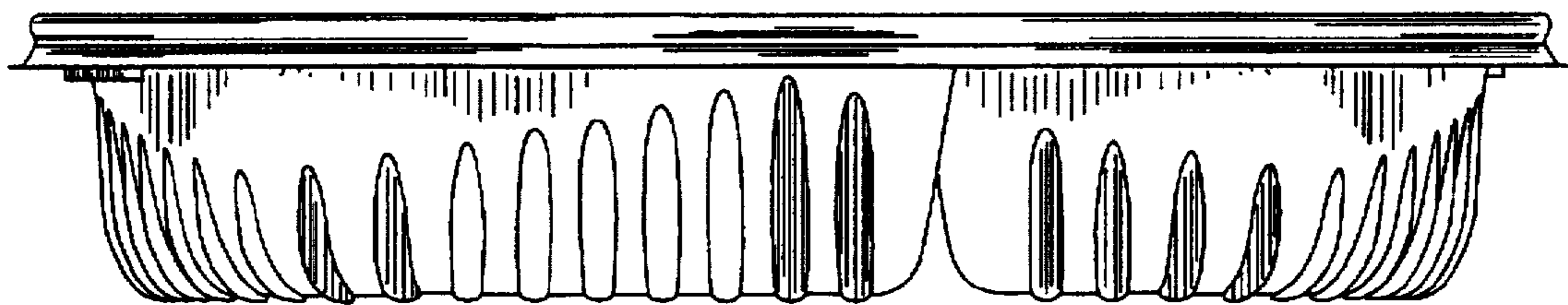


Fig. 5

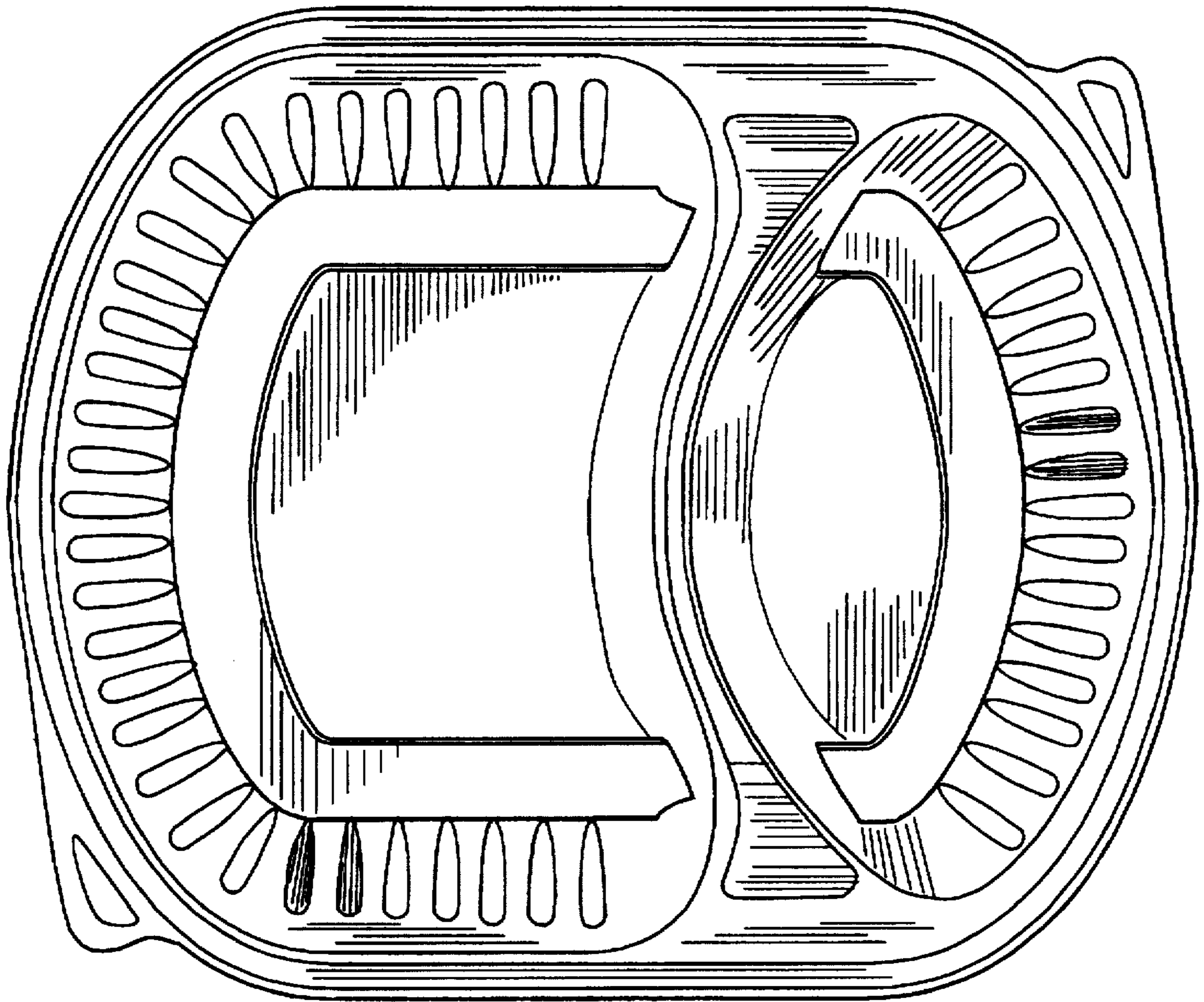


Fig. 6

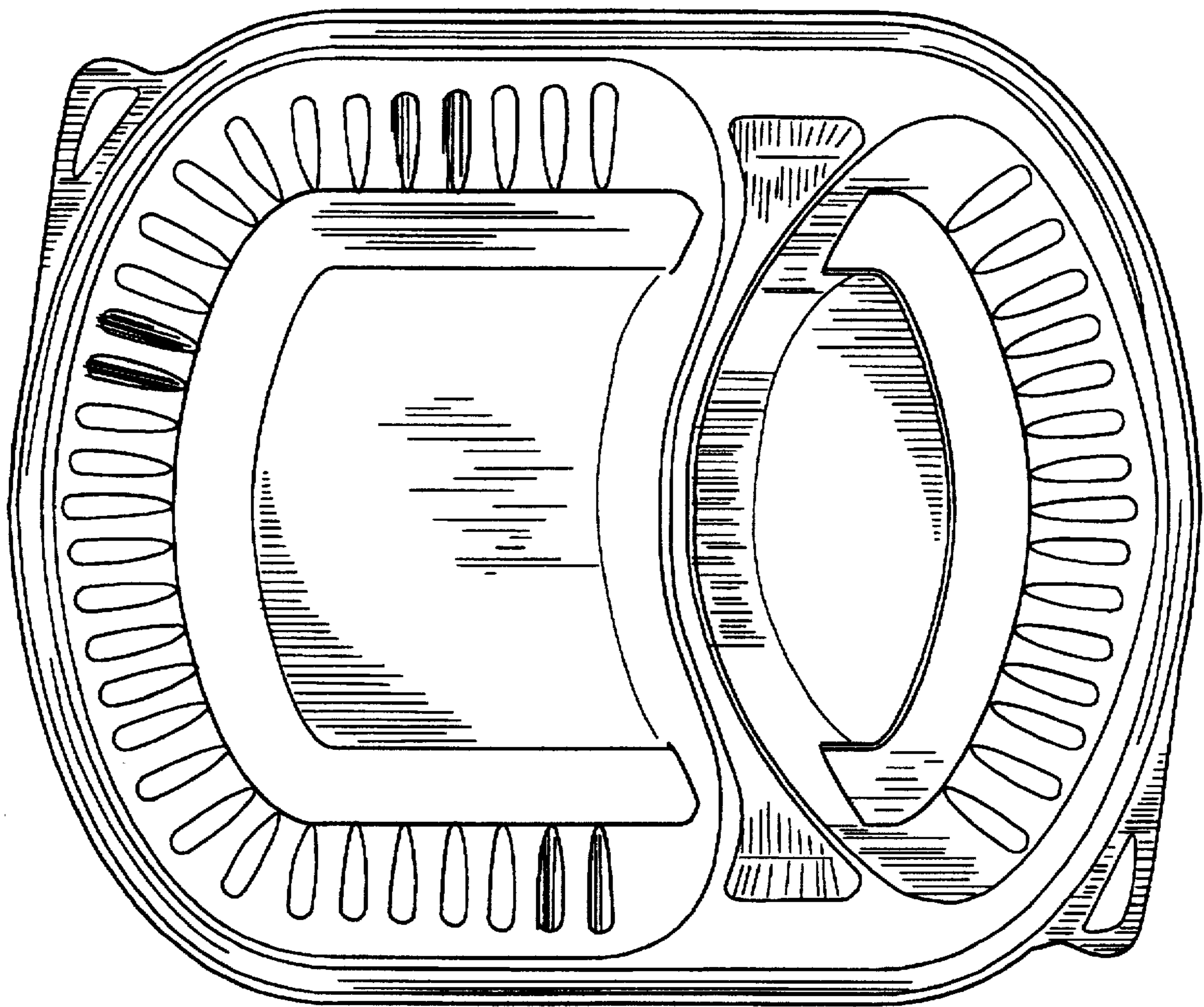


Fig. 7