



US00D386071S

# United States Patent [19]

Bonet et al.

[11] Patent Number: **Des. 386,071**

[45] Date of Patent: **\*\*Nov. 11, 1997**

[54] **PACKAGE OF TOOTHBRUSHES WITH TOOTHPASTE**

[76] Inventors: **Ronald Bonet; Pete Bonet**, both of Calle Juan J. Jimenez/Unit 500 Hato Rey, San Juan, Puerto Rico, 00918

[\*\*] Term: **14 Years**

[21] Appl. No.: **51,404**

[22] Filed: **Mar. 8, 1996**

[51] LOC (6) Cl. .... **09-03**

[52] U.S. Cl. .... **D9/337**

[58] Field of Search ..... D9/305, 337, 306, D9/341; D4/104, 105, 106, 108; 383/200, 210, 63; 206/361, 362, 362.3, 362.4, 368, 581, 471

[56] **References Cited**

**U.S. PATENT DOCUMENTS**

- D. 197,737 3/1964 Schultheiss ..... D9/415
- D. 214,430 6/1969 Kistler ..... D9/341
- D. 216,251 12/1969 Offray, Jr. .... D9/415

- D. 291,412 8/1987 Chodorow et al. .... D9/341 X
- D. 306,555 3/1990 Lane et al. .... D9/305
- 1,619,946 3/1927 Magee ..... 206/361
- 2,902,146 9/1959 Doherty ..... 206/361
- 3,127,985 4/1964 Scott ..... 206/361 X
- 4,982,838 1/1991 Fitjer ..... 206/361 X
- 5,139,142 8/1992 Simon ..... 206/362.3
- 5,348,153 9/1994 Cole ..... 206/361

*Primary Examiner*—Martie Thompson  
*Attorney, Agent, or Firm*—Harold H. Dutton, Jr.

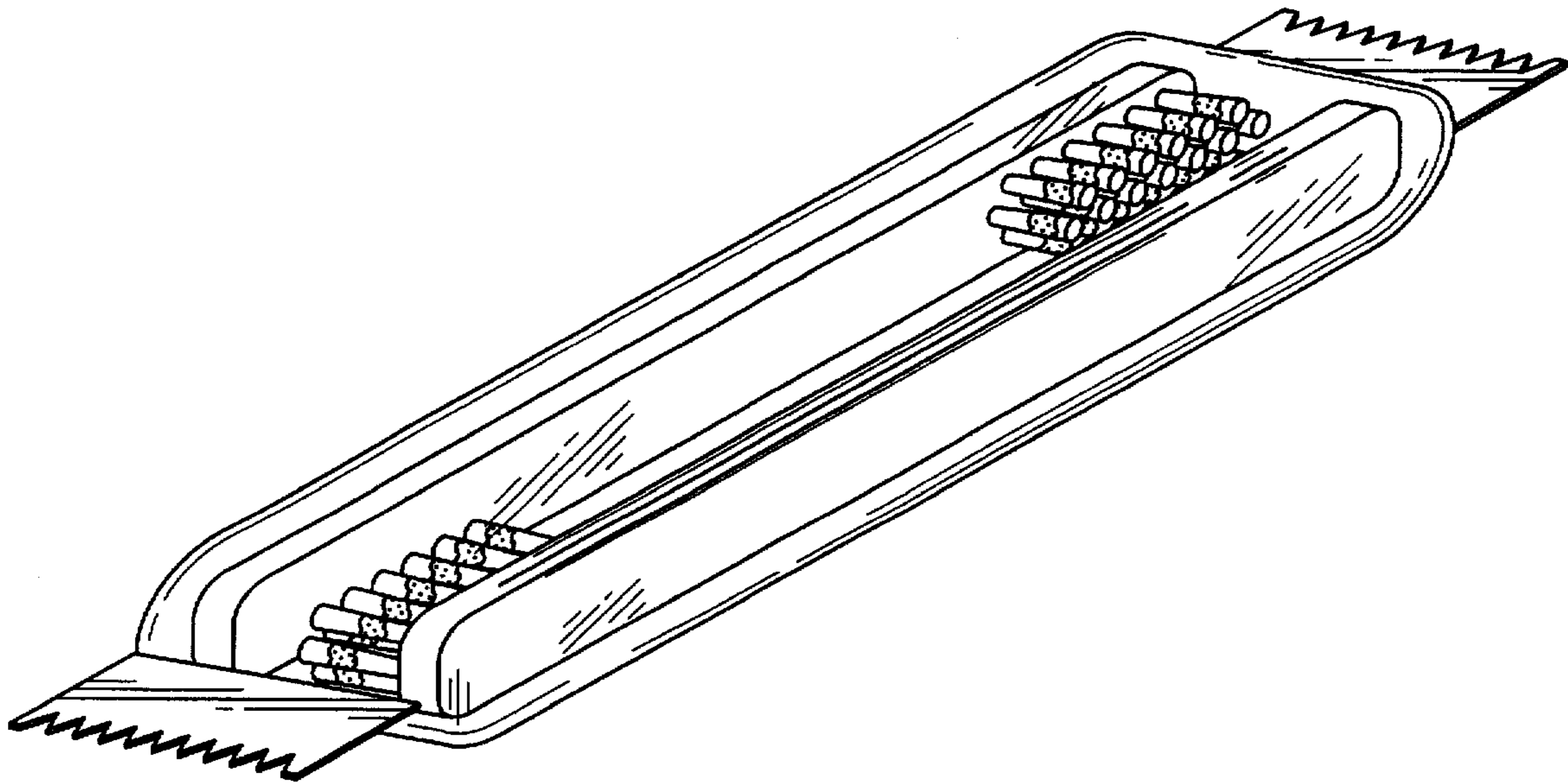
[57] **CLAIM**

The ornamental design for a package of toothbrushes with toothpaste, as shown and described.

**DESCRIPTION**

FIG. 1 is a perspective view of a package of toothbrushes with toothpaste showing our new design;  
FIG. 2 is a top view of thereof;  
FIG. 3 is a front view thereof; and the rear view is a mirror image thereof; and,  
FIG. 4 is a left side view of thereof; and the right side view is a mirror image thereof.

**1 Claim, 2 Drawing Sheets**



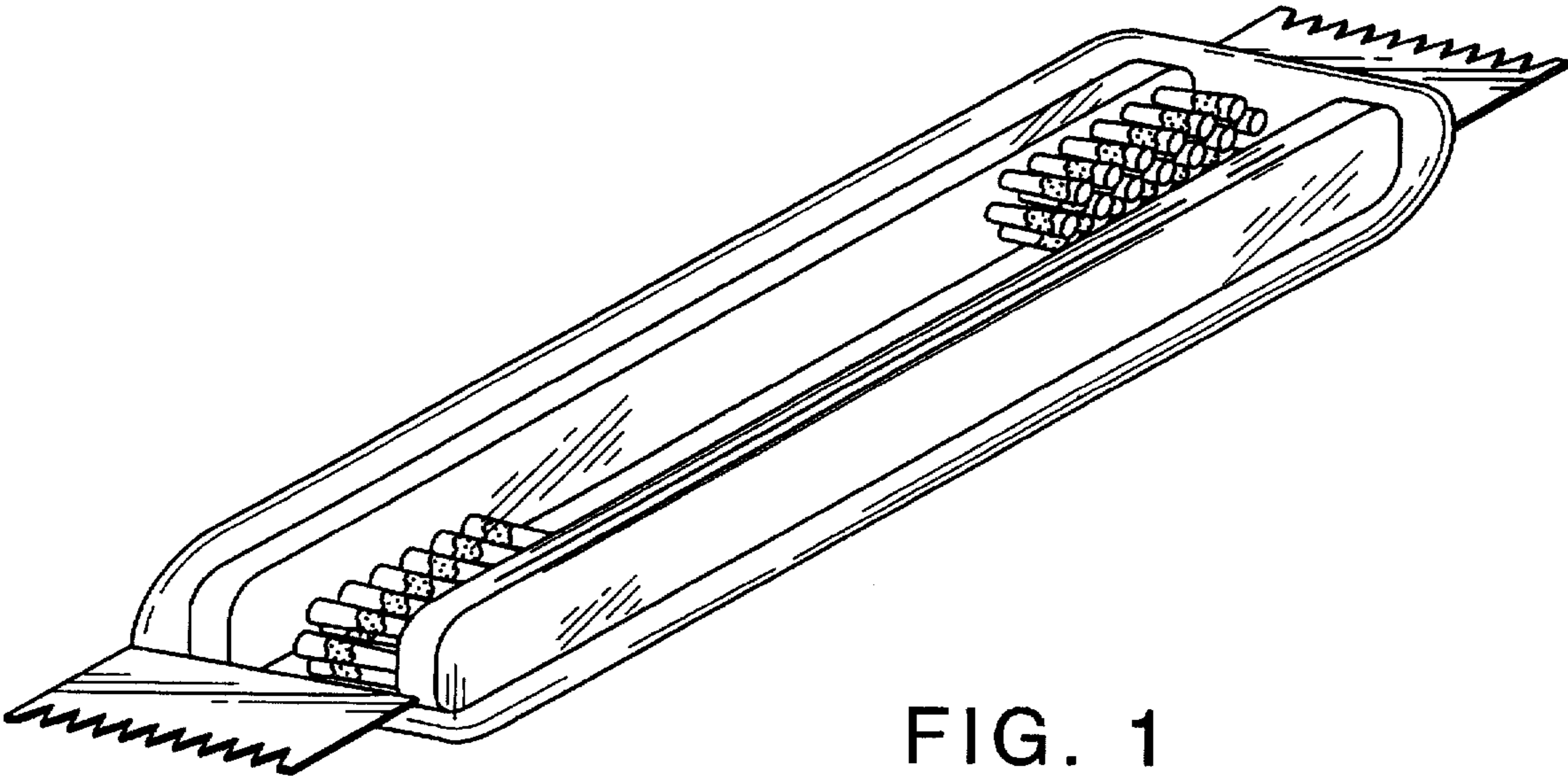


FIG. 1

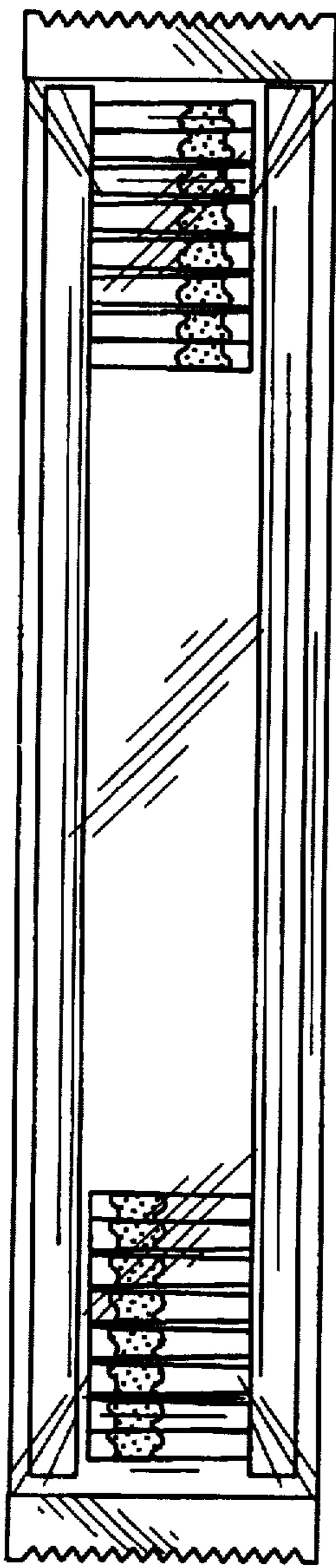


FIG. 2

FIG. 3

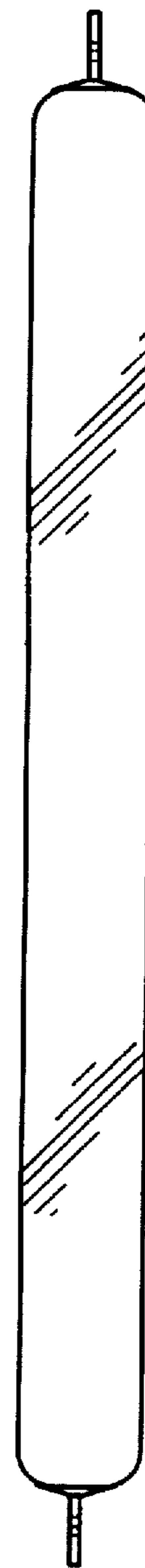


FIG. 4