



US00D386068S

United States Patent [19] Nakamura

[11] Patent Number: Des. 386,068

[45] Date of Patent: **Nov. 11, 1997

[54] CAP FOR FASTENERS

[75] Inventor: Toshinobu Nakamura, Tokyo, Japan

[73] Assignee: Shinagawa Shoko Co., Ltd., Tokyo, Japan

[**] Term: 14 Years

[21] Appl. No.: 50,991

[22] Filed: Mar. 1, 1996

[30] Foreign Application Priority Data

Oct. 31, 1995 [JP] Japan 7-32655

[51] LOC (6) Cl. 08-08

[52] U.S. Cl. D8/387; D8/382; D8/499

[58] Field of Search D8/387, 499, 382; 411/371, 372, 373

[56] References Cited

U.S. PATENT DOCUMENTS

133,778	12/1872	Jenkins	411/372
D. 285,169	8/1986	Resan	D8/382
1,152,960	9/1915	Moloney	411/373
1,459,877	6/1923	Daniel	411/372
1,994,978	3/1935	Brown	411/372
2,295,900	9/1942	Hoppenstand	411/373
5,103,538	4/1992	Ryder	411/372

FOREIGN PATENT DOCUMENTS

238772	3/1960	Australia	411/373
608864	9/1960	Italy	411/373
570916	7/1945	United Kingdom	411/427

Primary Examiner—B. J. Bullock
Attorney, Agent, or Firm—Banner & Witcoff, Ltd.

[57] CLAIM

The ornamental design for a cap for fasteners, as shown and described.

DESCRIPTION

FIG. 1 is a perspective view of cap for fasteners embodying the present design;
 FIG. 2 is a front view thereof;
 FIG. 3 is a top plan view thereof;
 FIG. 4 is a rear view thereof;
 FIG. 5 is a bottom view thereof;
 FIG. 6 is a right side view thereof;
 FIG. 7 is a left side view thereof;
 FIG. 8 is a sectional view taken in the direction of the arrows on line 8—8 of FIG. 3;
 FIG. 9 is a perspective view in a closed position;
 FIG. 10 is a front view in a closed position;
 FIG. 11 is a rear view in a closed position;
 FIG. 12 is a top plan view in a closed position;
 FIG. 13 is a bottom view in a closed position;
 FIG. 14 is a left side view in a closed position;
 FIG. 15 is a right side view in a closed position;
 FIG. 16 is a sectional view taken in the direction of the arrows on line 16—16 of FIG. 13; and,
 FIG. 17 is a sectional view similar to FIG. 16, the broken line showing of a fastener and a portion of a surface are for illustrative purposes only and form no part of the claimed design.

1 Claim, 4 Drawing Sheets

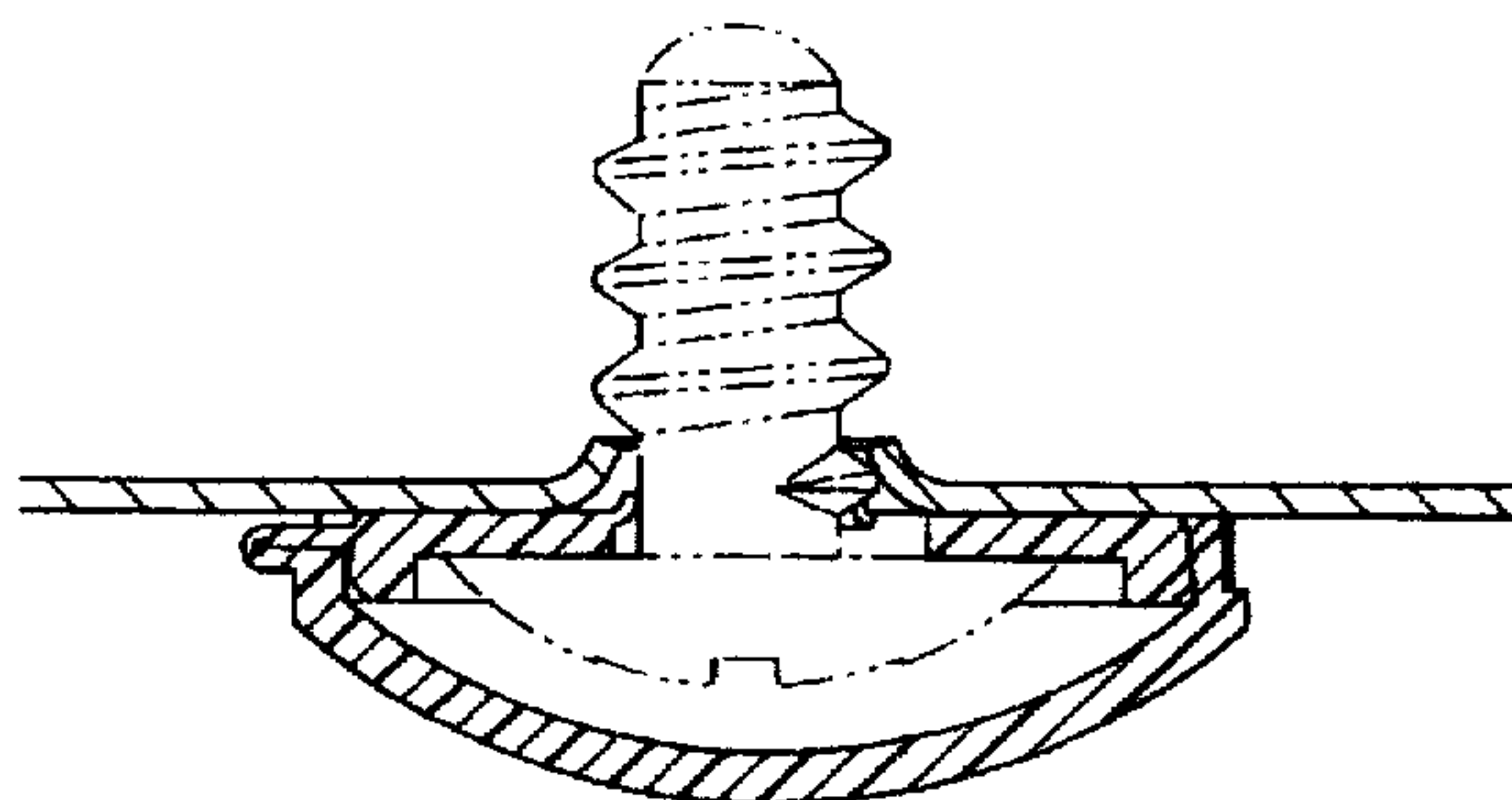
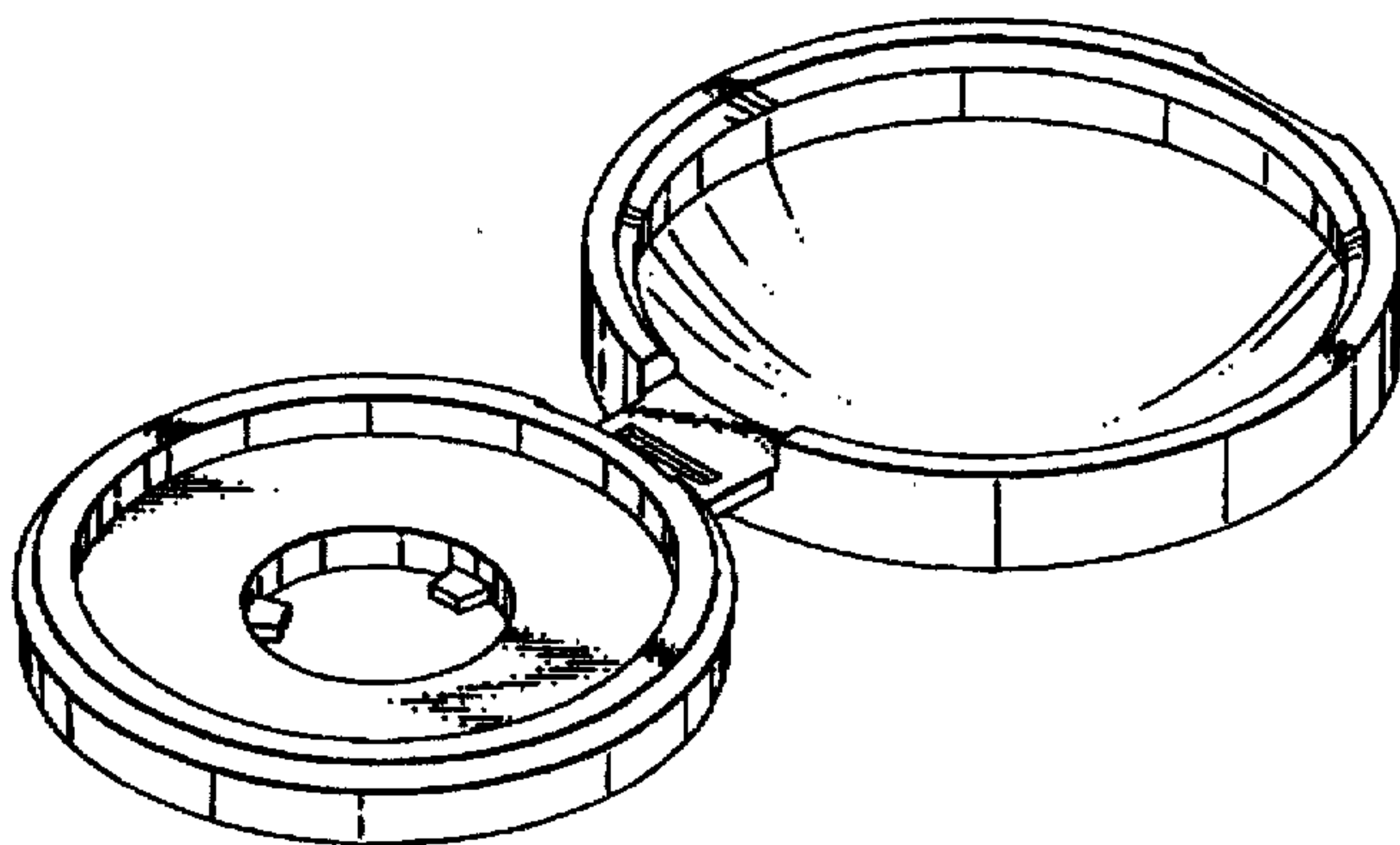


FIG. 1

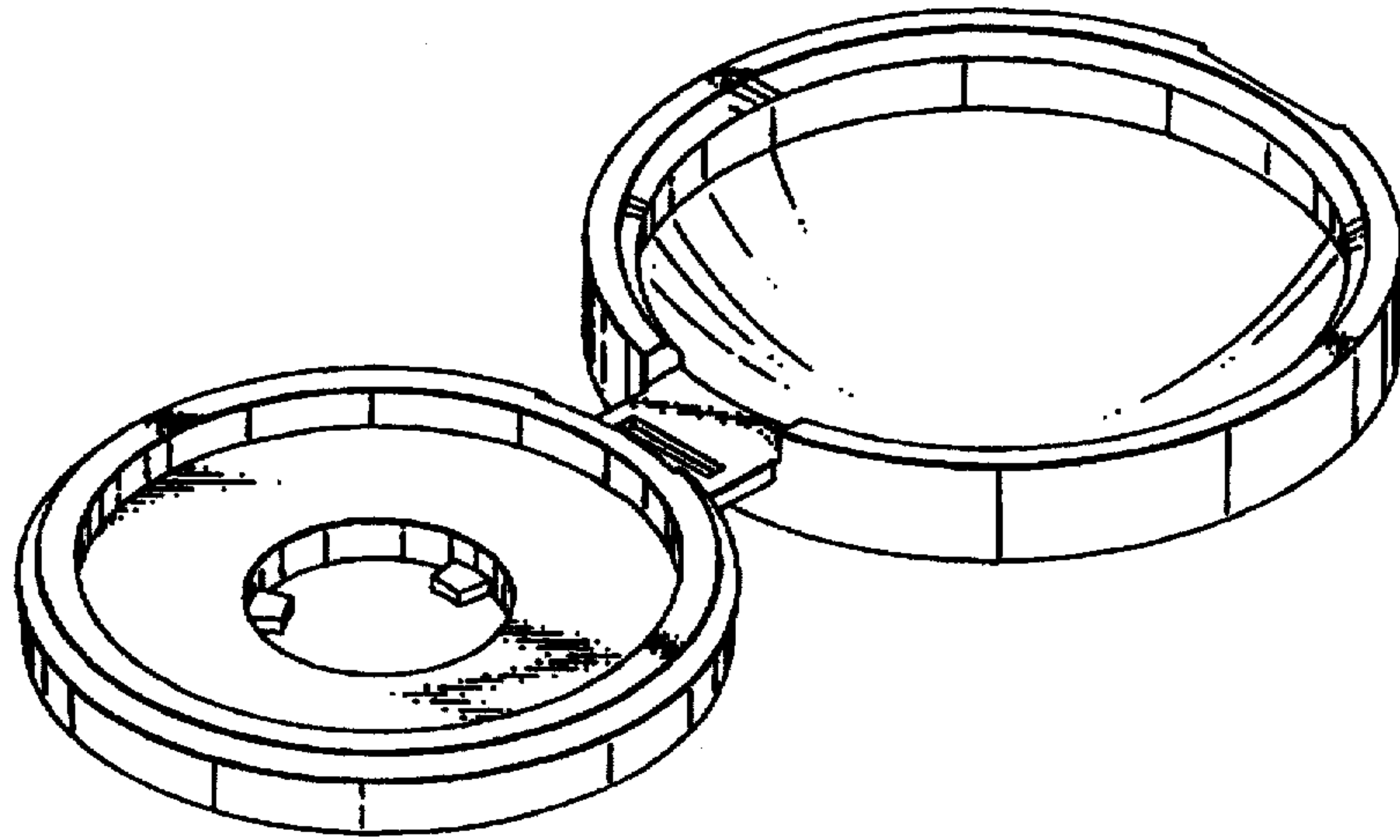


FIG. 2

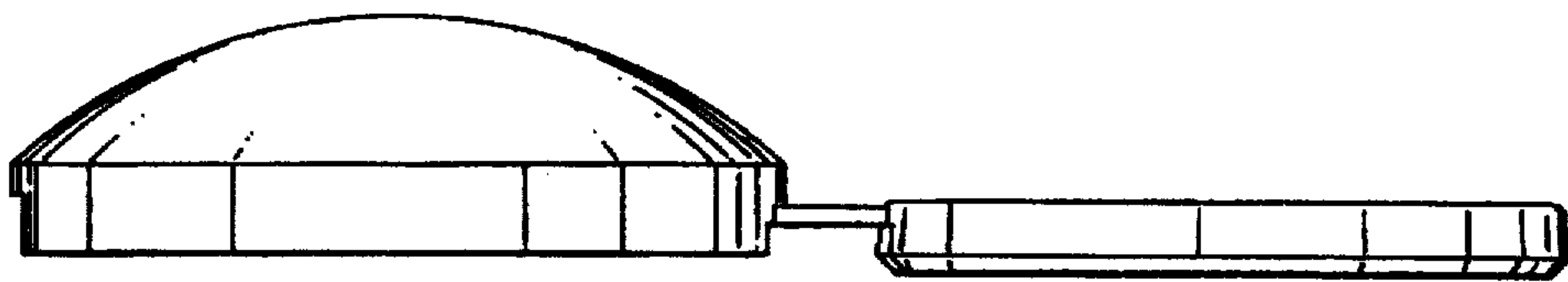


FIG. 3

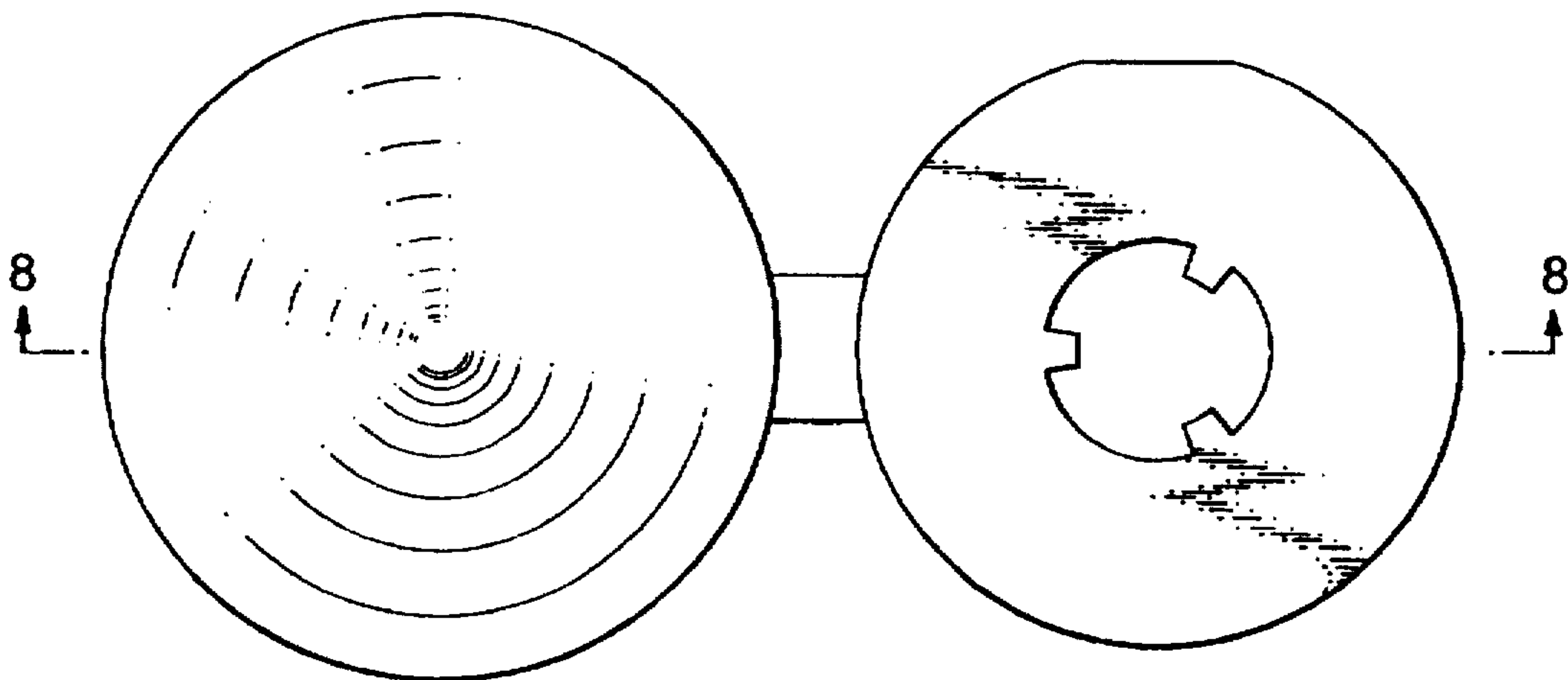


FIG. 4

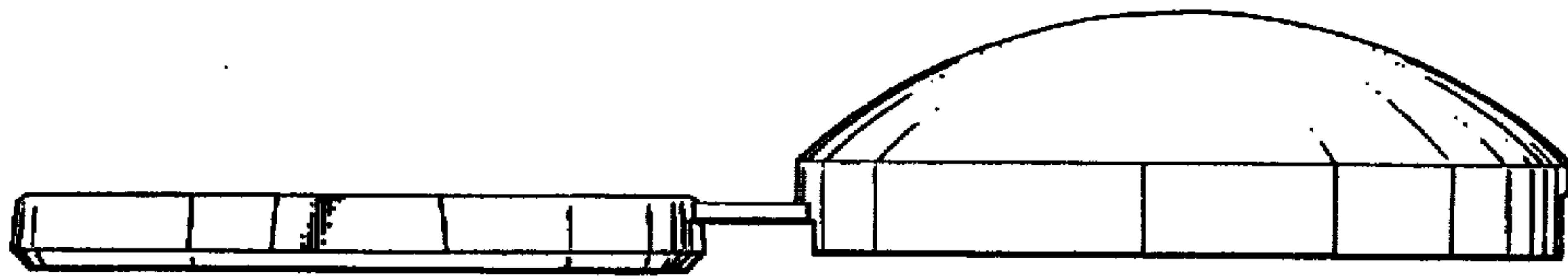


FIG. 5

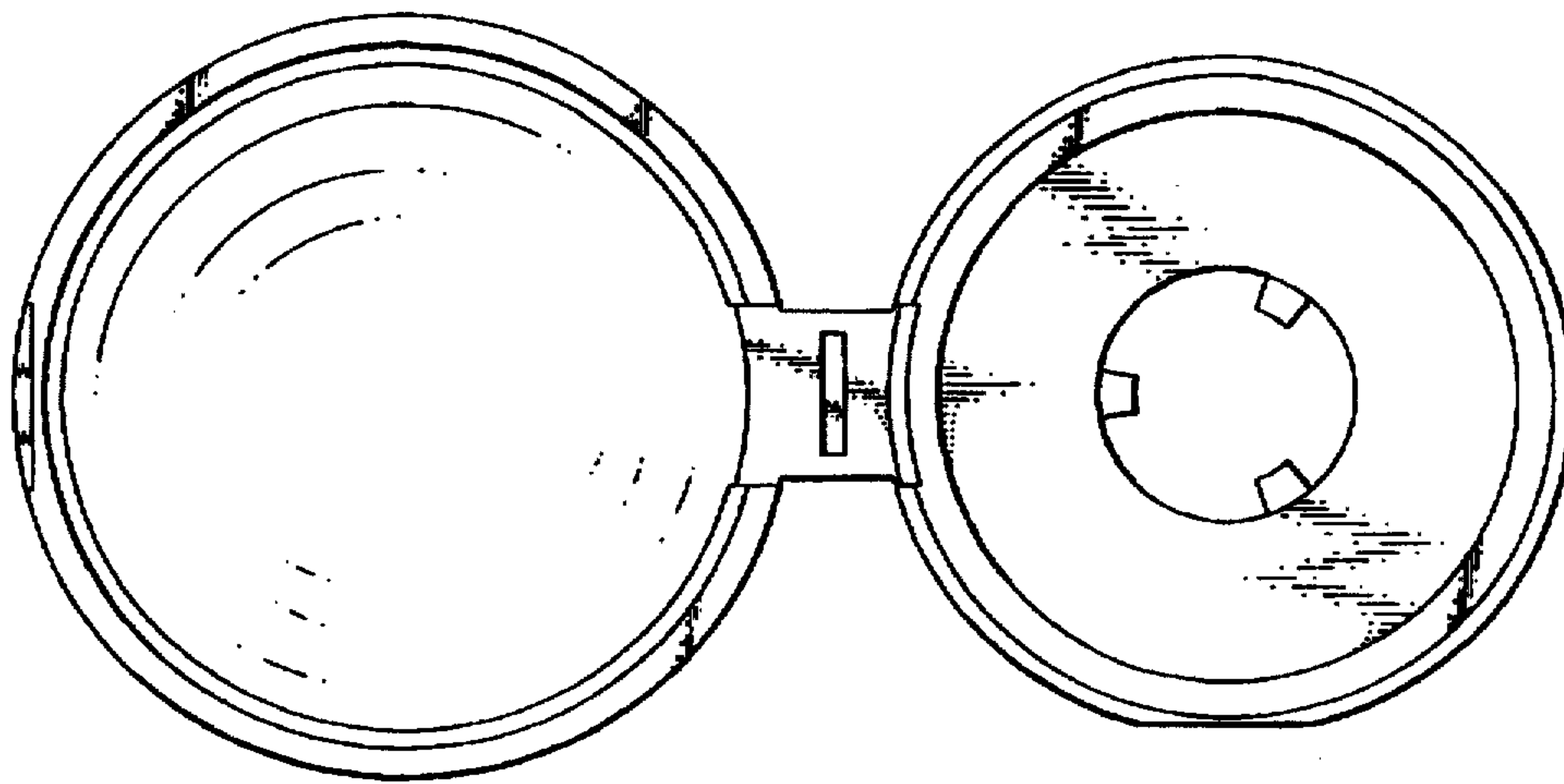


FIG. 6

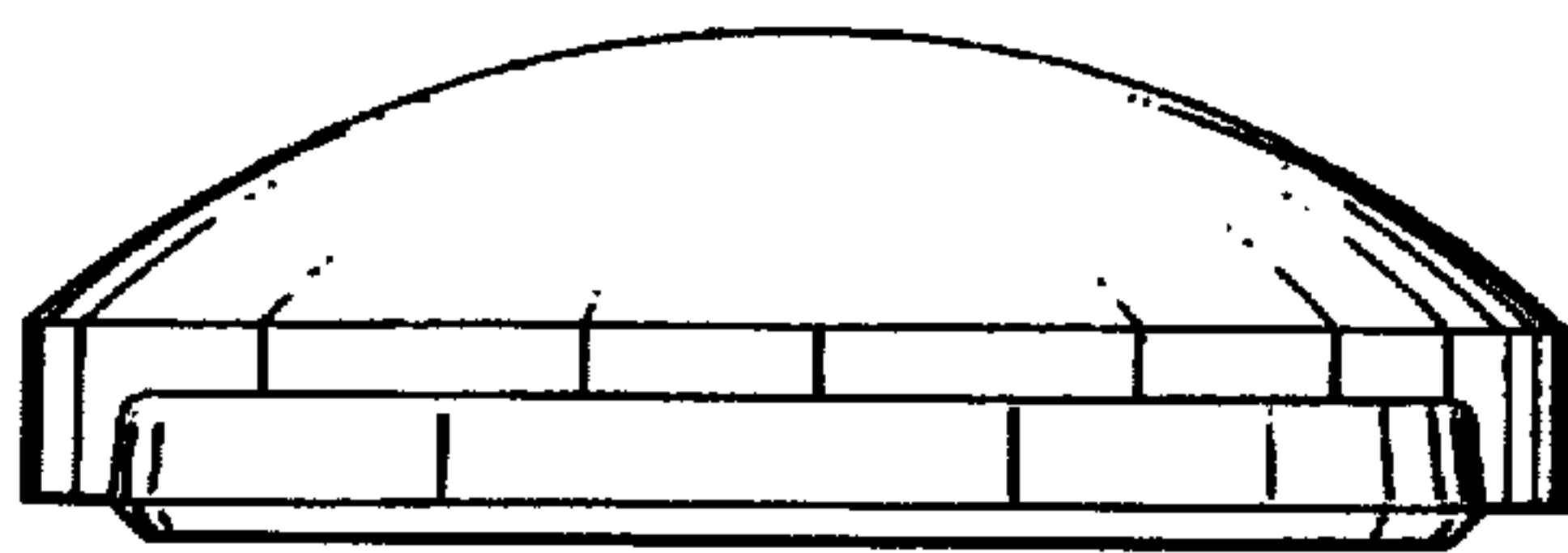


FIG. 7

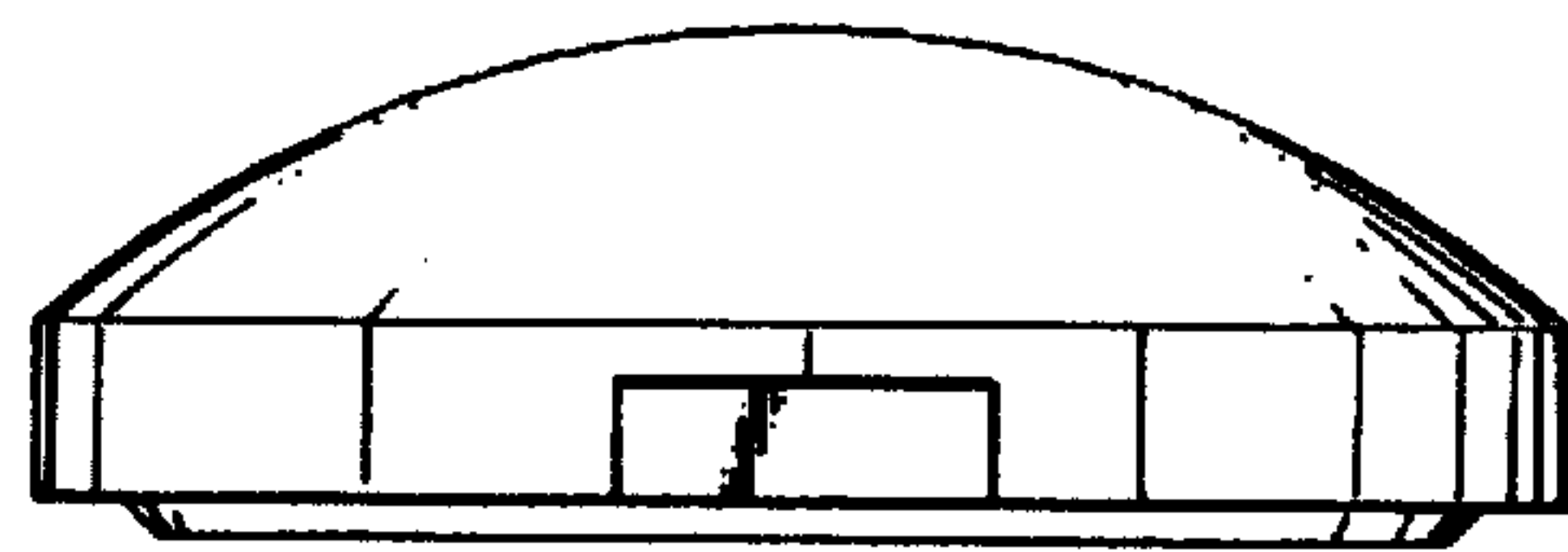


FIG. 8

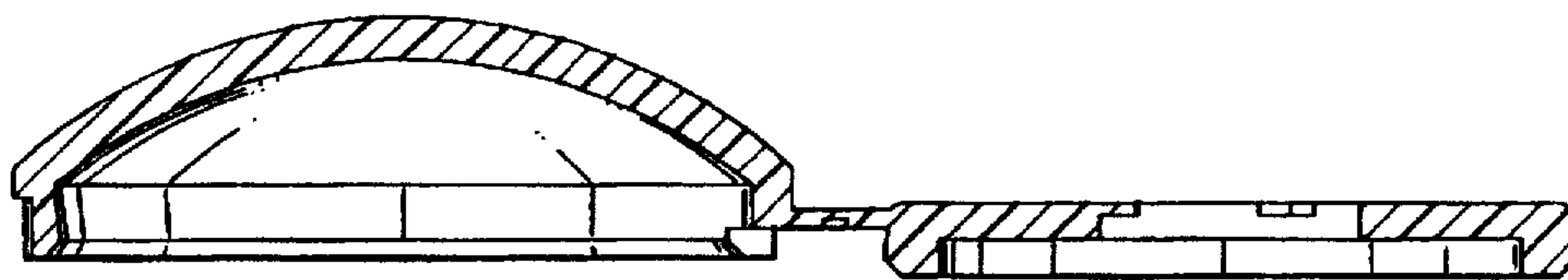


FIG. 9

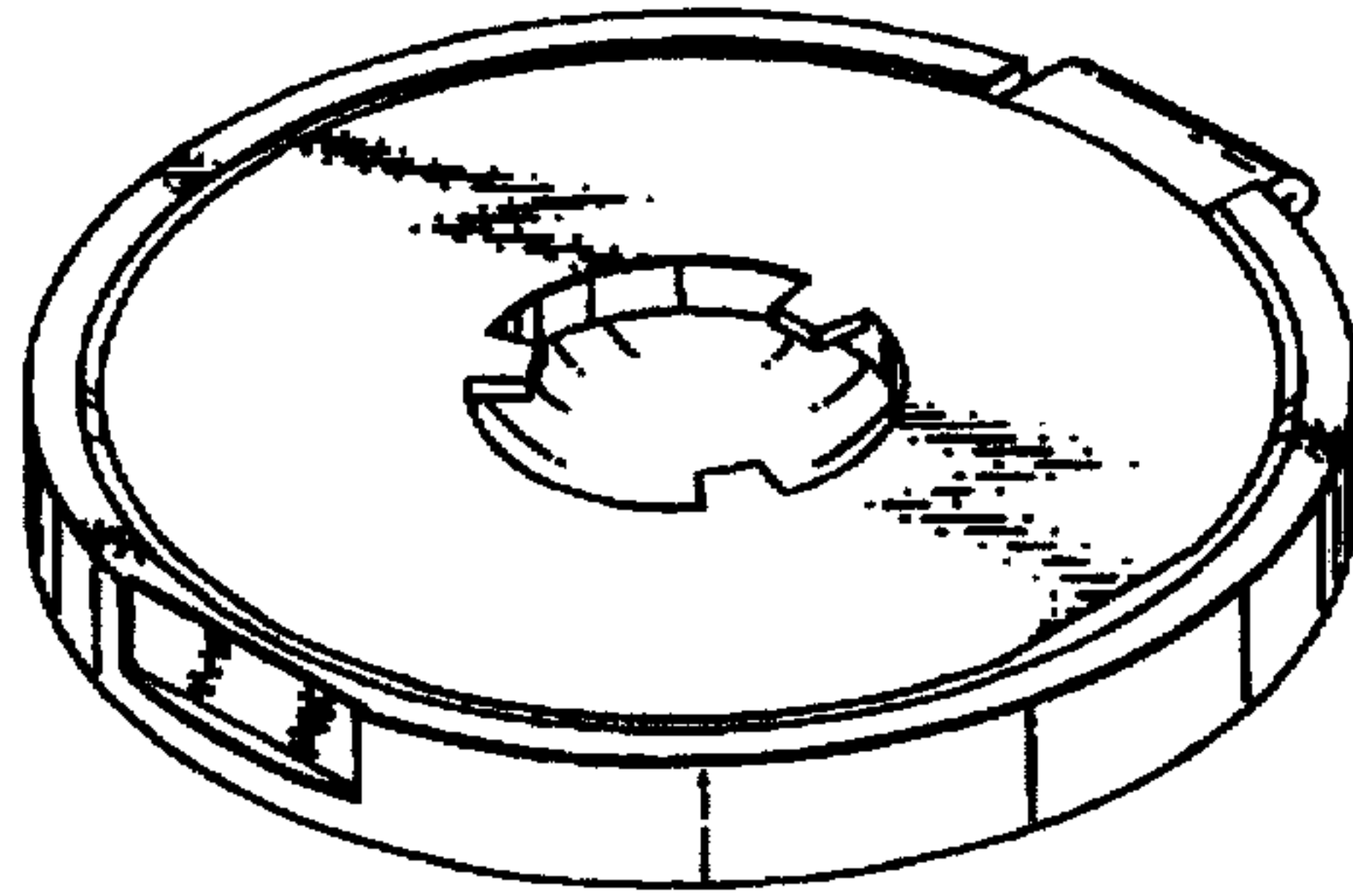


FIG. 10

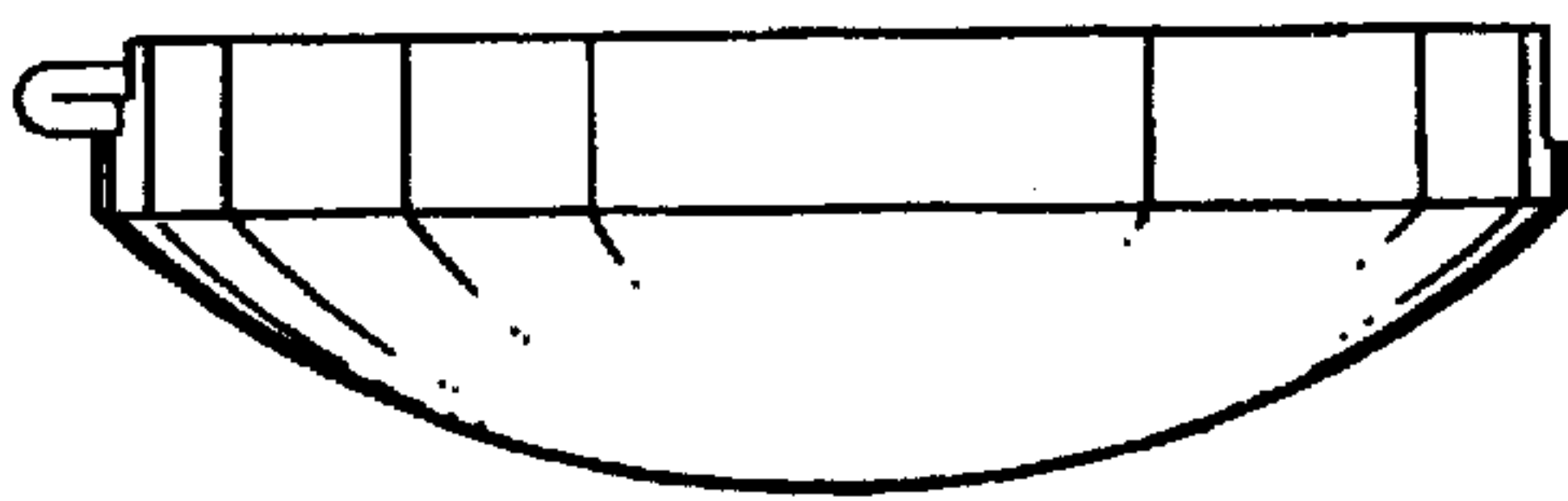


FIG. 11

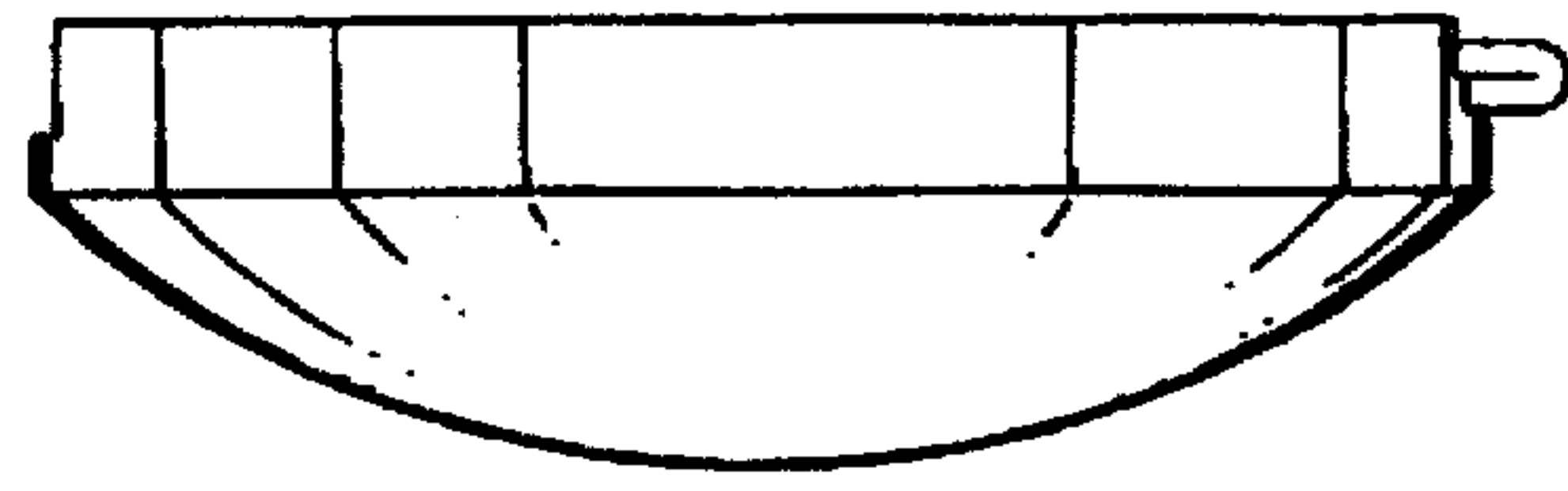


FIG. 12

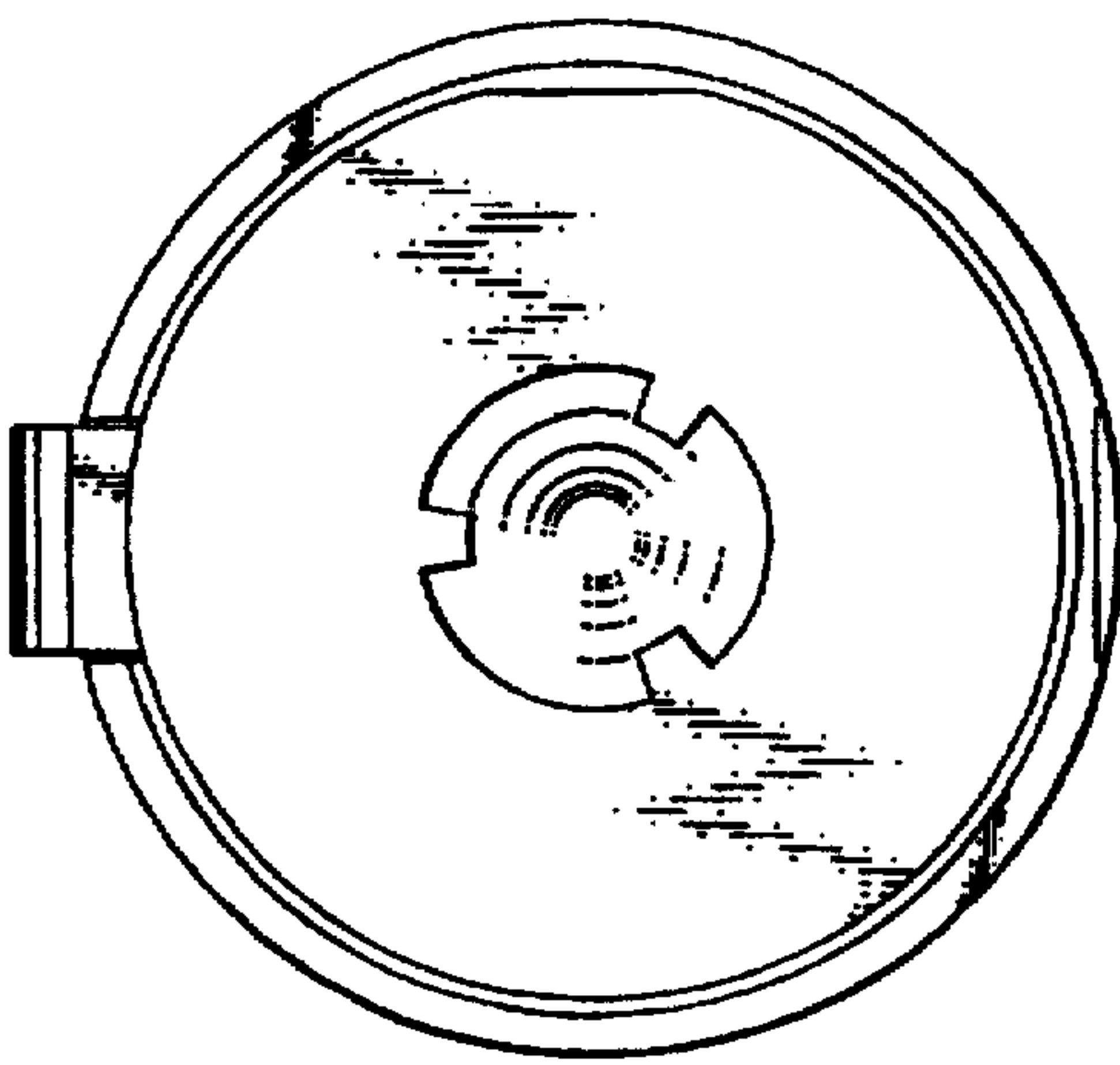


FIG. 13

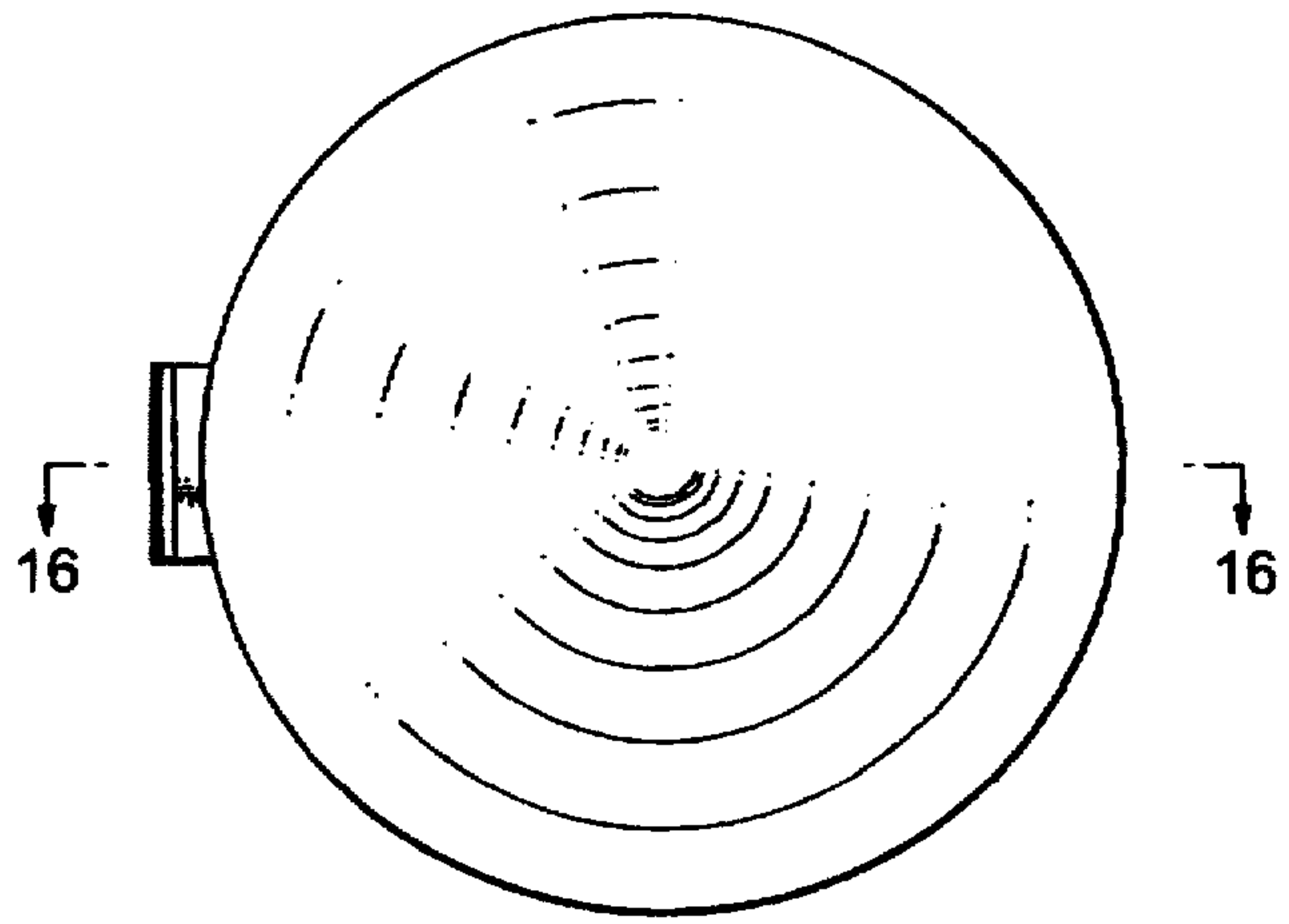


FIG. 14

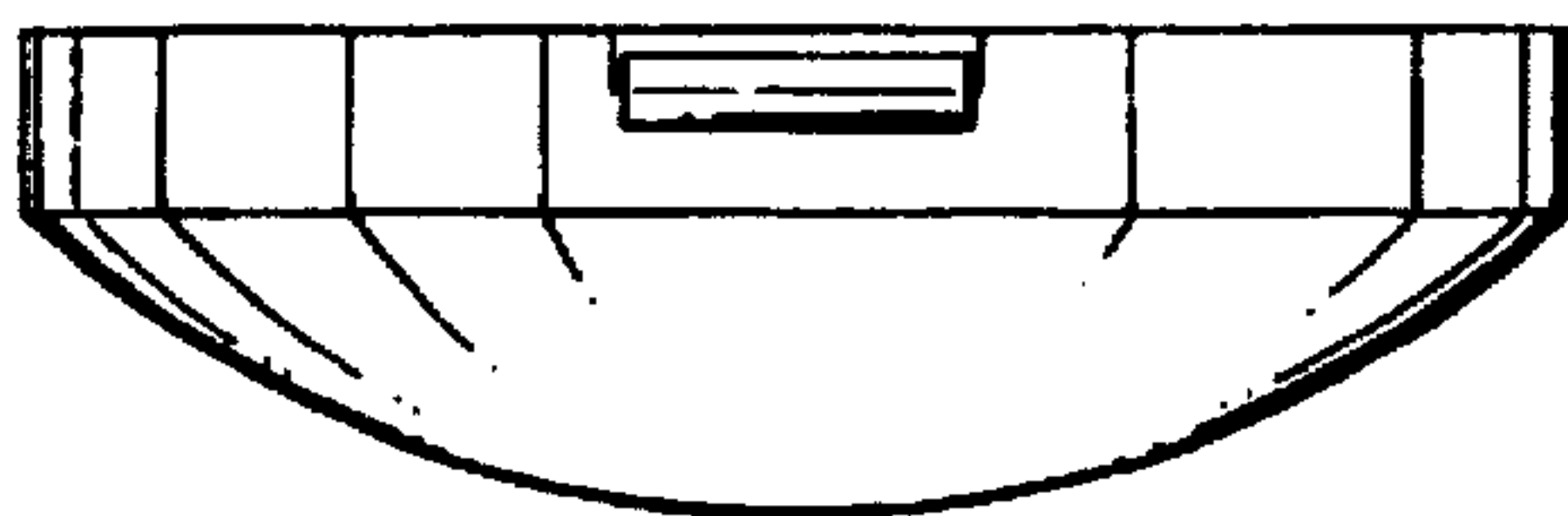


FIG. 15

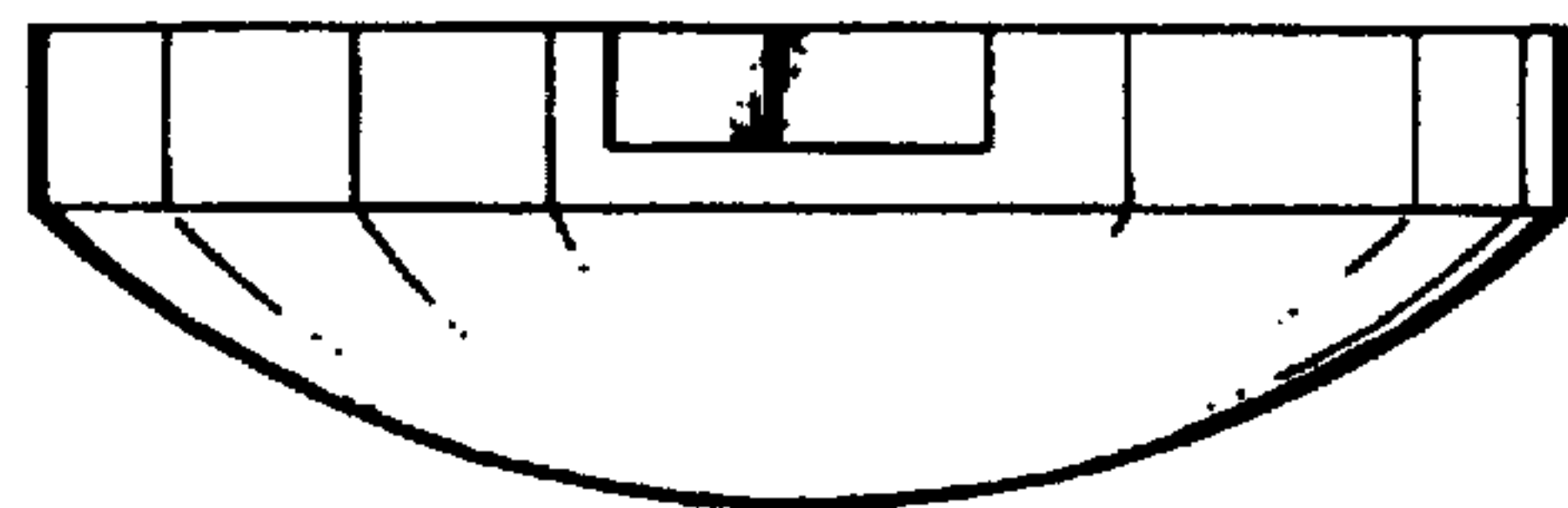


FIG. 16

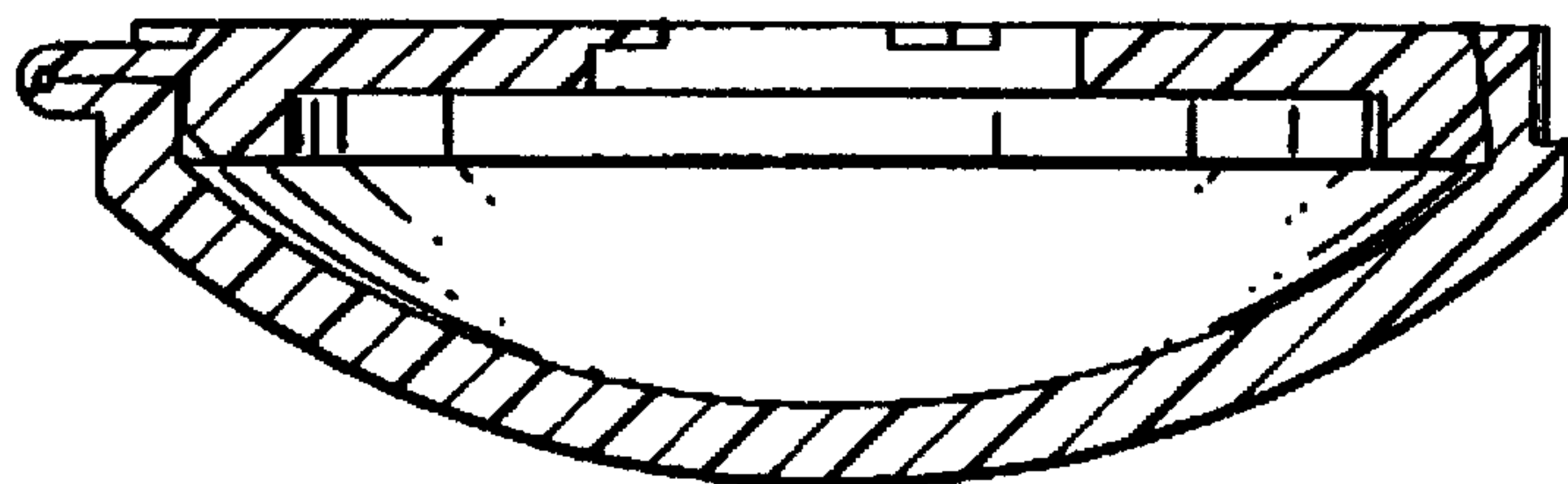


FIG. 17

