



US00D386062S

# United States Patent [19] Quick

[11] Patent Number: Des. 386,062

[45] Date of Patent: \*\*Nov. 11, 1997

[54] POWER CORD STRAIN RELIEF TETHER  
HANDLE

4,787,276 11/1988 Condon ..... 81/177.1  
4,899,415 2/1990 Wheeler ..... 81/177.1  
5,237,722 8/1993 Ott ..... 16/114 B

[76] Inventor: Todd N. Quick, 241 Avellana Dr.,  
Sequim, Wash. 98382

Primary Examiner—Philip S. Hyder

[\*\*] Term: 14 Years

[57] CLAIM

[21] Appl. No.: 60,672

The ornamental design for a power cord strain relief tether handle, as shown and described.

[22] Filed: Oct. 3, 1996

### DESCRIPTION

[51] LOC (6) Cl. .... 08-01

[52] U.S. Cl. .... D8/107; D8/14; D8/300

[58] Field of Search ..... D8/14, 107, 300,  
D8/303; 16/110 R, 114 R, 116 R, 114 B;  
81/177.1; 294/170, 171, 137

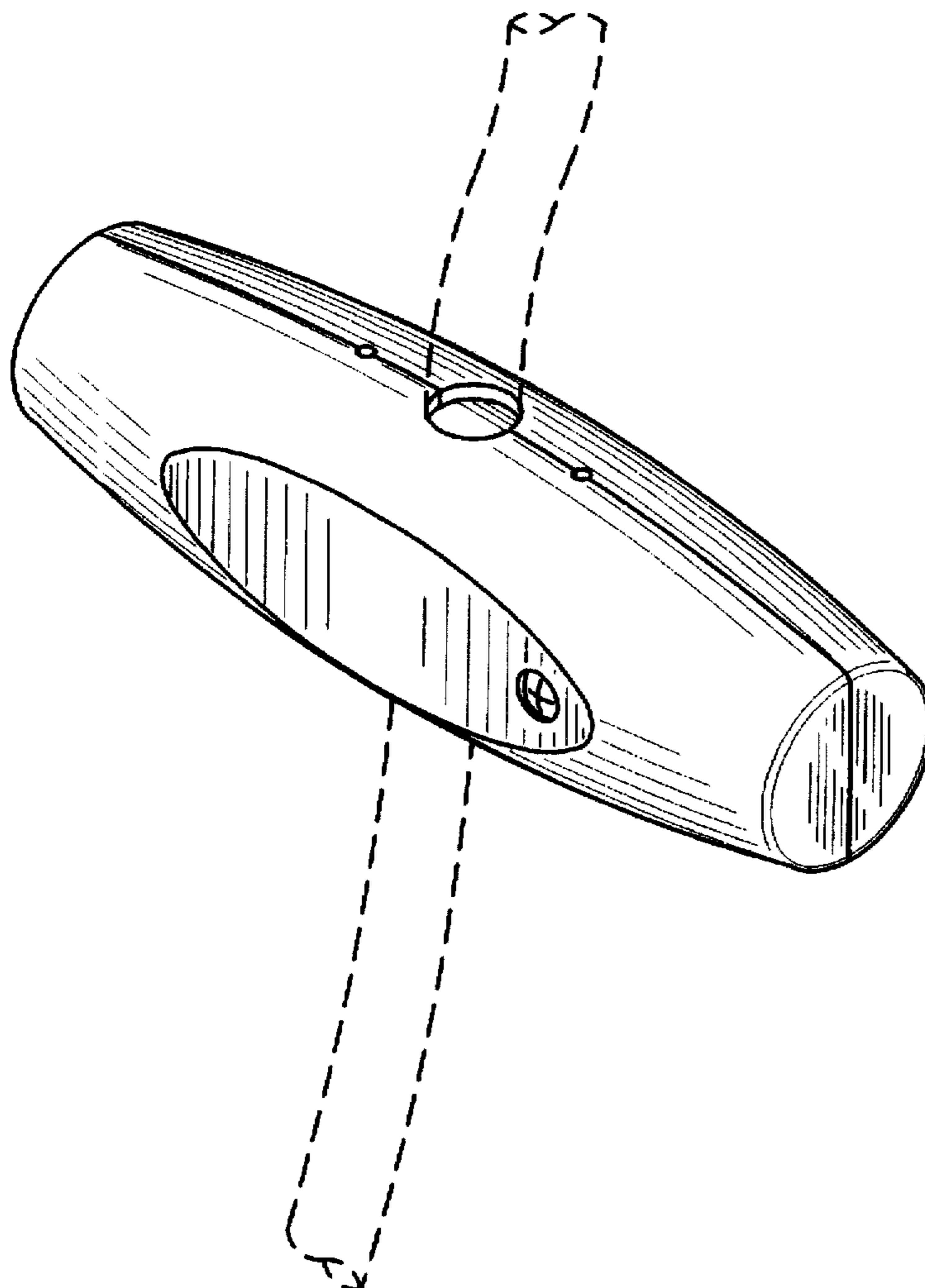
FIG. 1 is a perspective view of the power cord strain relief tether handle showing my new design, the broken lines representing a power cord are for environmental purposes only and form no part of the claimed design; FIG. 2 is a front elevational view thereof; FIG. 3 is a rear elevational view thereof; FIG. 4 is a left side elevational view thereof; FIG. 5 is a right side elevational view thereof; FIG. 6 is a top plan view thereof; and, FIG. 7 is a bottom plan view thereof.

### [56] References Cited

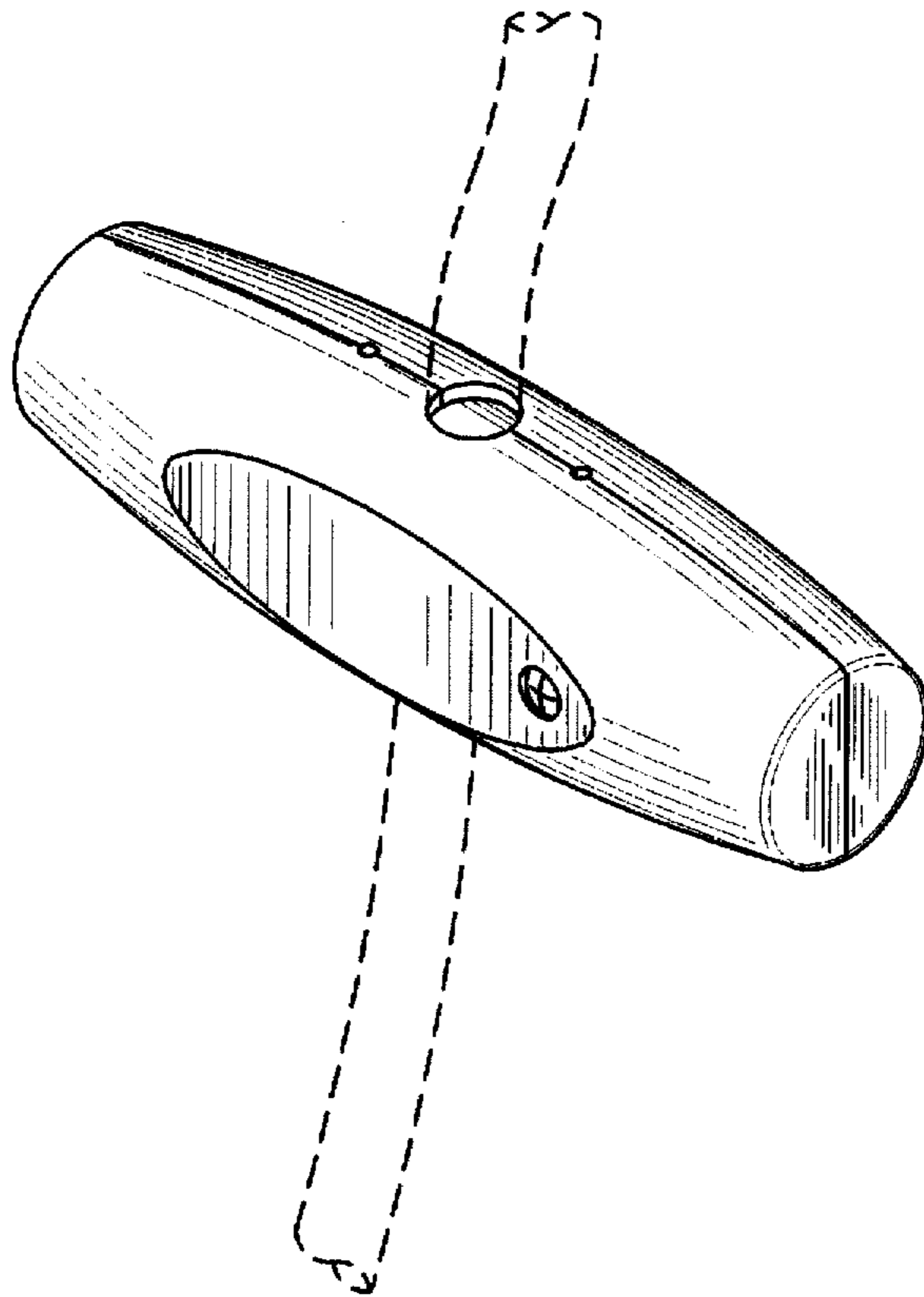
#### U.S. PATENT DOCUMENTS

5,368 11/1847 Normann ..... 294/171  
D. 284,346 6/1986 Masters ..... D8/107  
D. 339,048 9/1993 Baum ..... D8/107

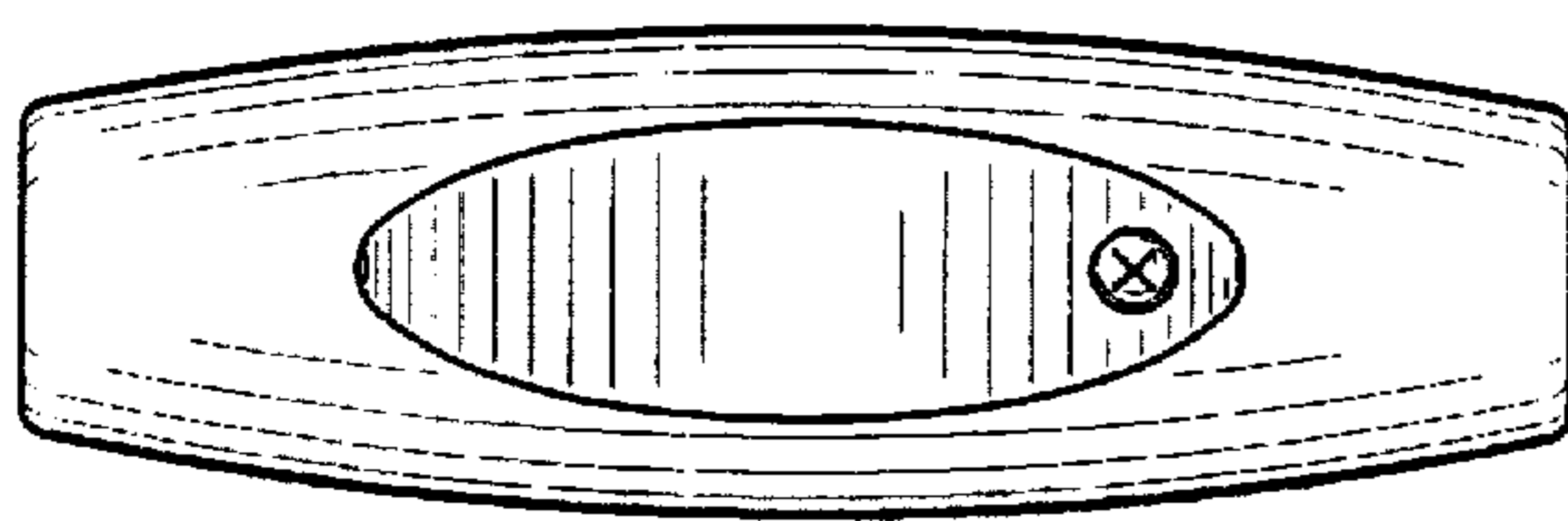
1 Claim, 2 Drawing Sheets



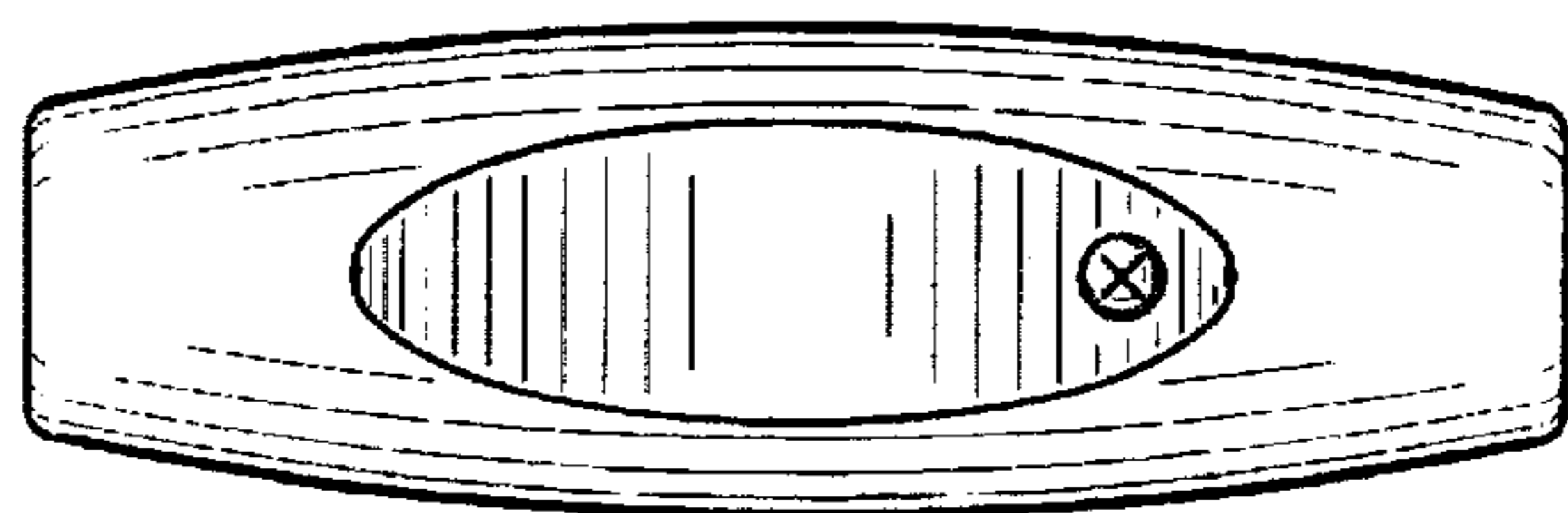
*FIG. 1*



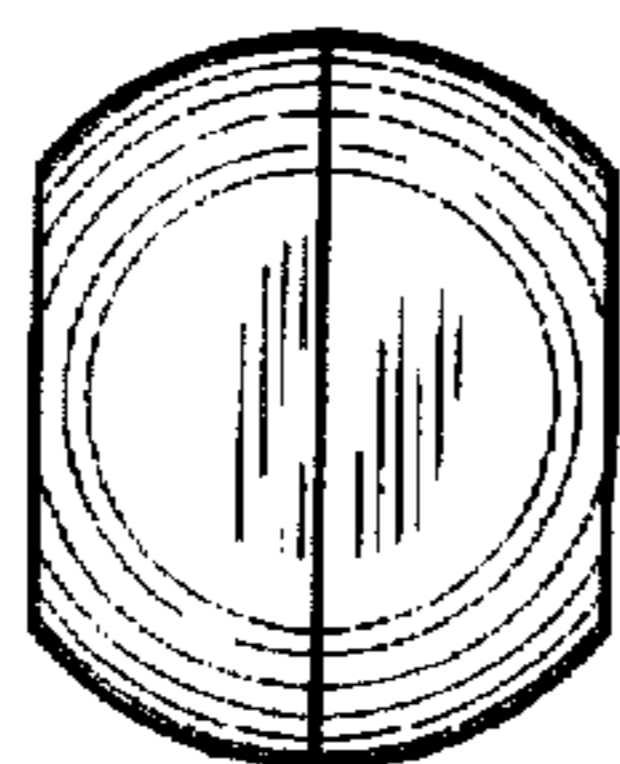
*FIG. 2*



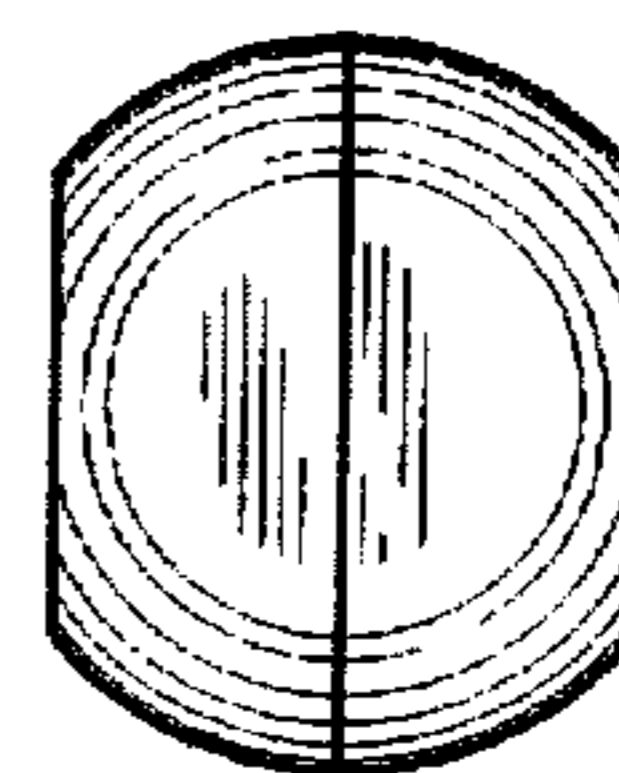
*FIG. 3*



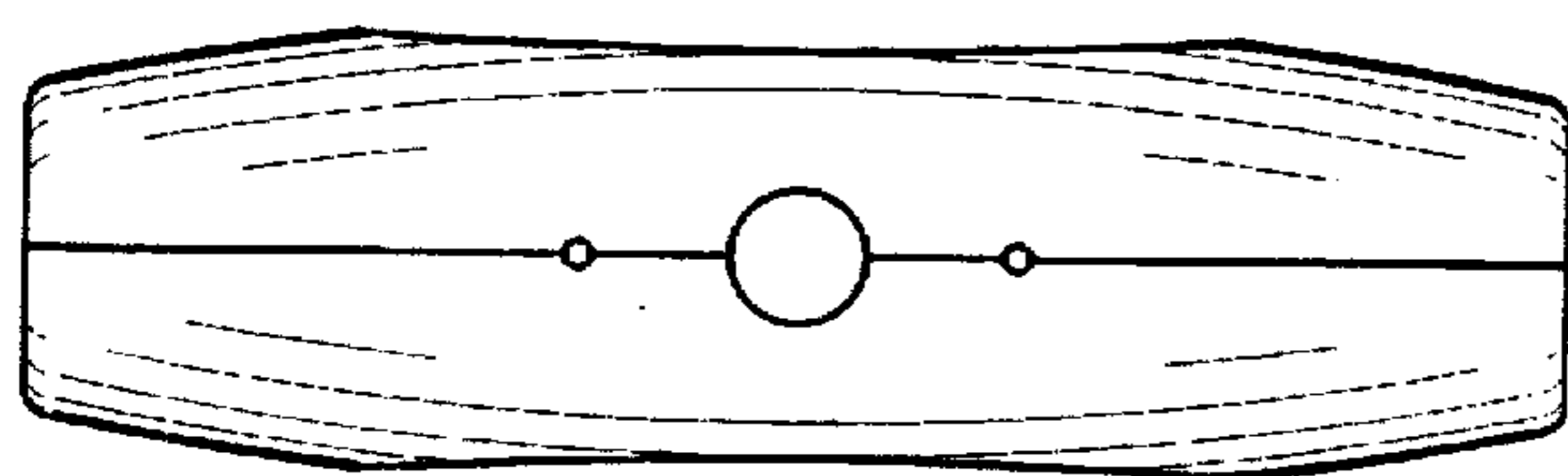
*FIG. 4*



*FIG. 5*



*FIG. 6*



*FIG. 7*

