



US00D386061S

United States Patent [19]
O'Hara et al.

[11] **Patent Number: Des. 386,061**
[45] **Date of Patent: **Nov. 11, 1997**

[54] **HANDLE FOR A POCKET KNIFE**

[76] **Inventors: Douglas R. O'Hara**, 8129 Savannah Hills Dr., Ooltewah, Tenn. 37363; **Paul Steven Williams**, 129 Blue Springs La., Cleveland, Tenn. 37311

[**] **Term: 14 Years**

[21] **Appl. No.: 63,626**

[22] **Filed: Dec. 11, 1996**

[51] **LOC (6) Cl. 08-03**

[52] **U.S. Cl. D8/100; D8/99**

[58] **Field of Search D8/98, 99, 100; D22/118; 30/151, 152, 153, 154, 155, 156, 157, 158, 159; D21/134, 136**

[56] **References Cited**

U.S. PATENT DOCUMENTS

- D. 345,176 3/1994 Monzyk D21/136
- D. 356,019 3/1995 Sakai D8/99
- D. 363,871 11/1995 Coggins D8/100
- D. 367,599 3/1996 Sakai D8/99

OTHER PUBLICATIONS

Blade Magazine, pp. 52 and 53, pocket knives Apr. 1991.

Primary Examiner—Philip S. Hyder
Attorney, Agent, or Firm—Alan Ruderman

[57] **CLAIM**

The ornamental design for a handle for a pocket knife, as shown and described.

DESCRIPTION

FIG. 1 is a front perspective view of a handle for a pocket knife embodying my new design, the broken lines illustrating a blade which does not form a part of the design;

FIG. 2 is a view similar to FIG. 1 with the blade illustrated by broken lines in the extended position;

FIG. 3 is a side elevational view thereof;

FIG. 4 is a bottom rear perspective view thereof; and,

FIG. 5 is a bottom rear perspective view with the blade extended as illustrated by the broken lines.

The broken line portions of the drawing disclosure are for illustrative purposes only and form no part of the claimed design.

1 Claim, 2 Drawing Sheets

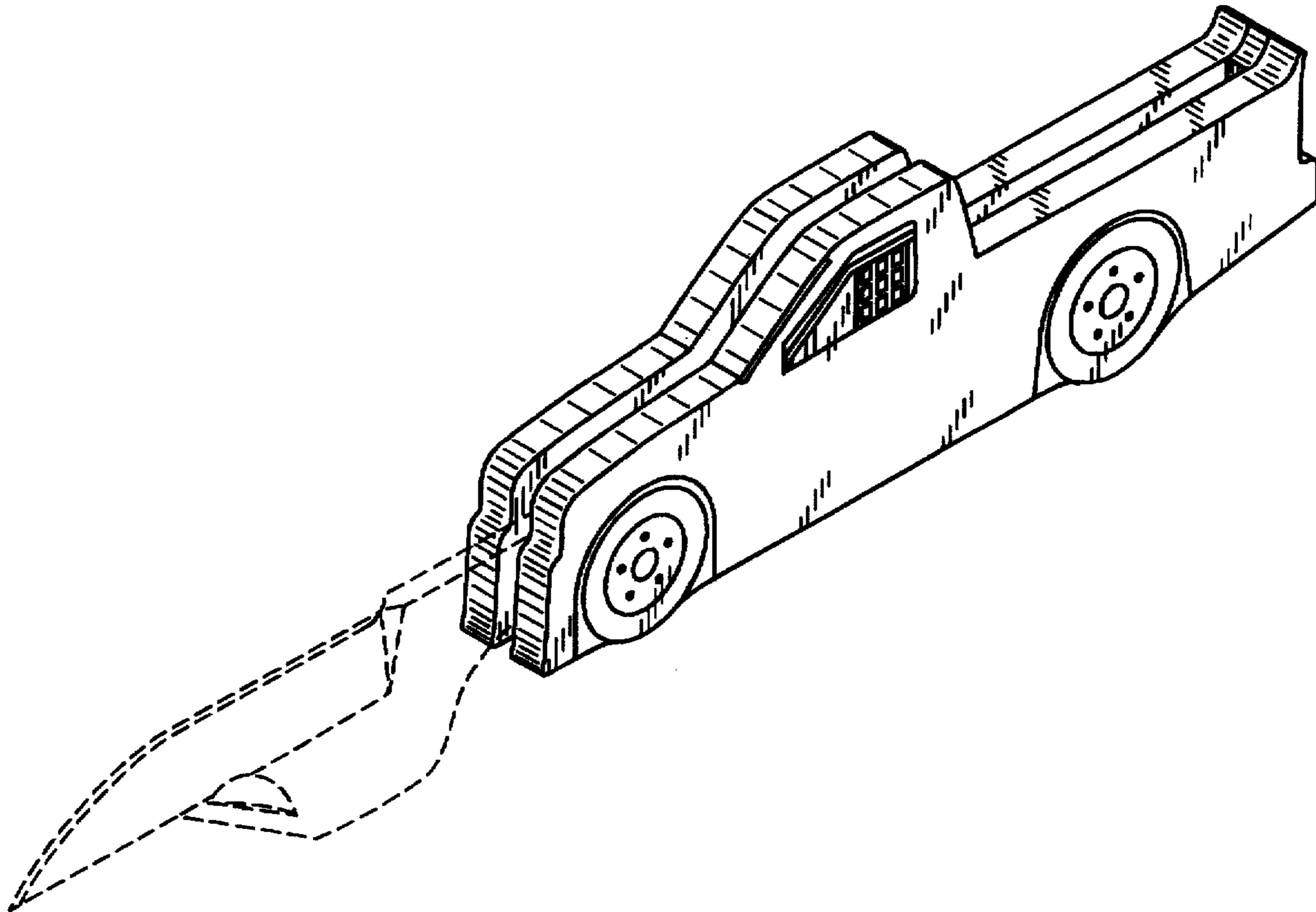


FIG. 1

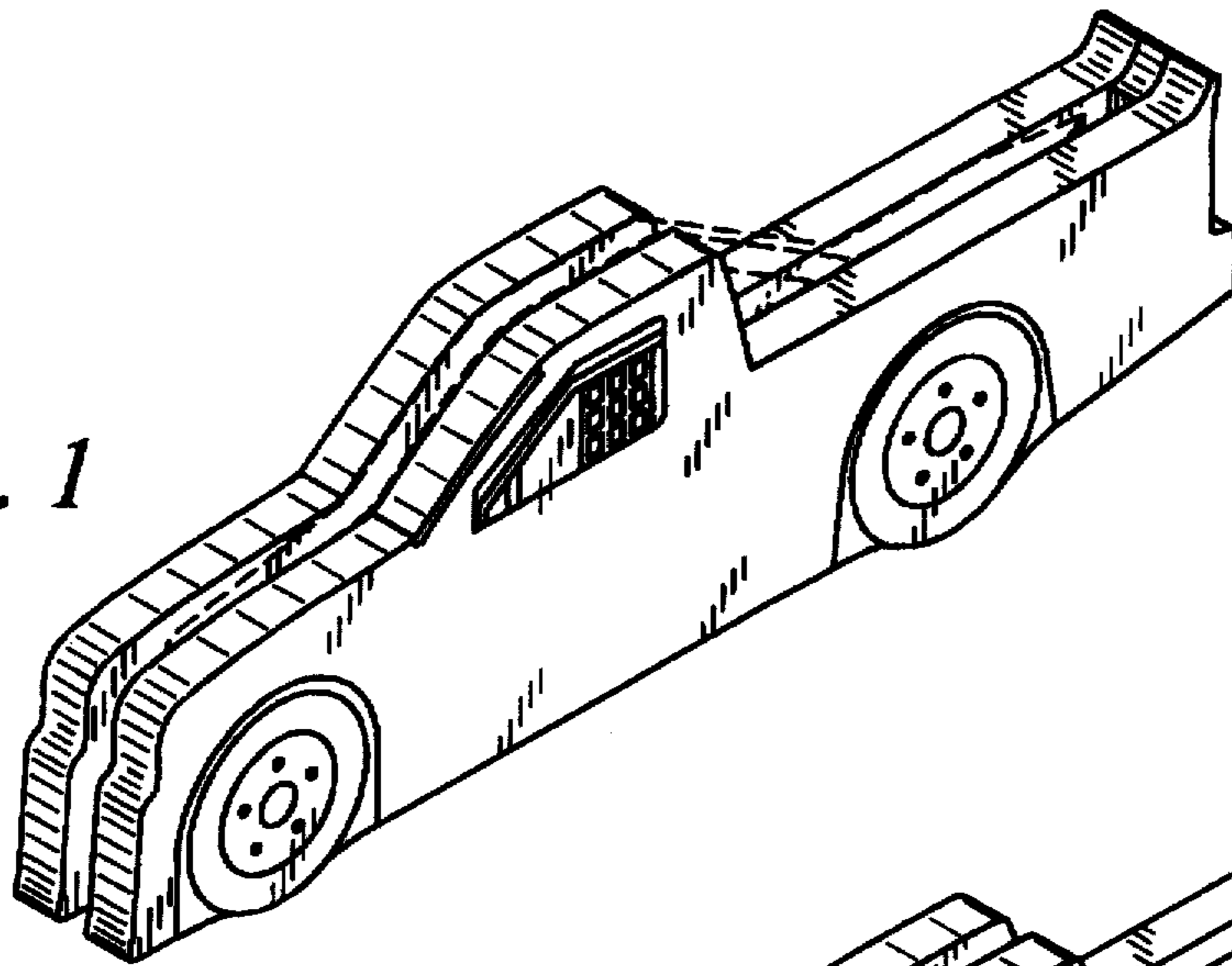


FIG. 2

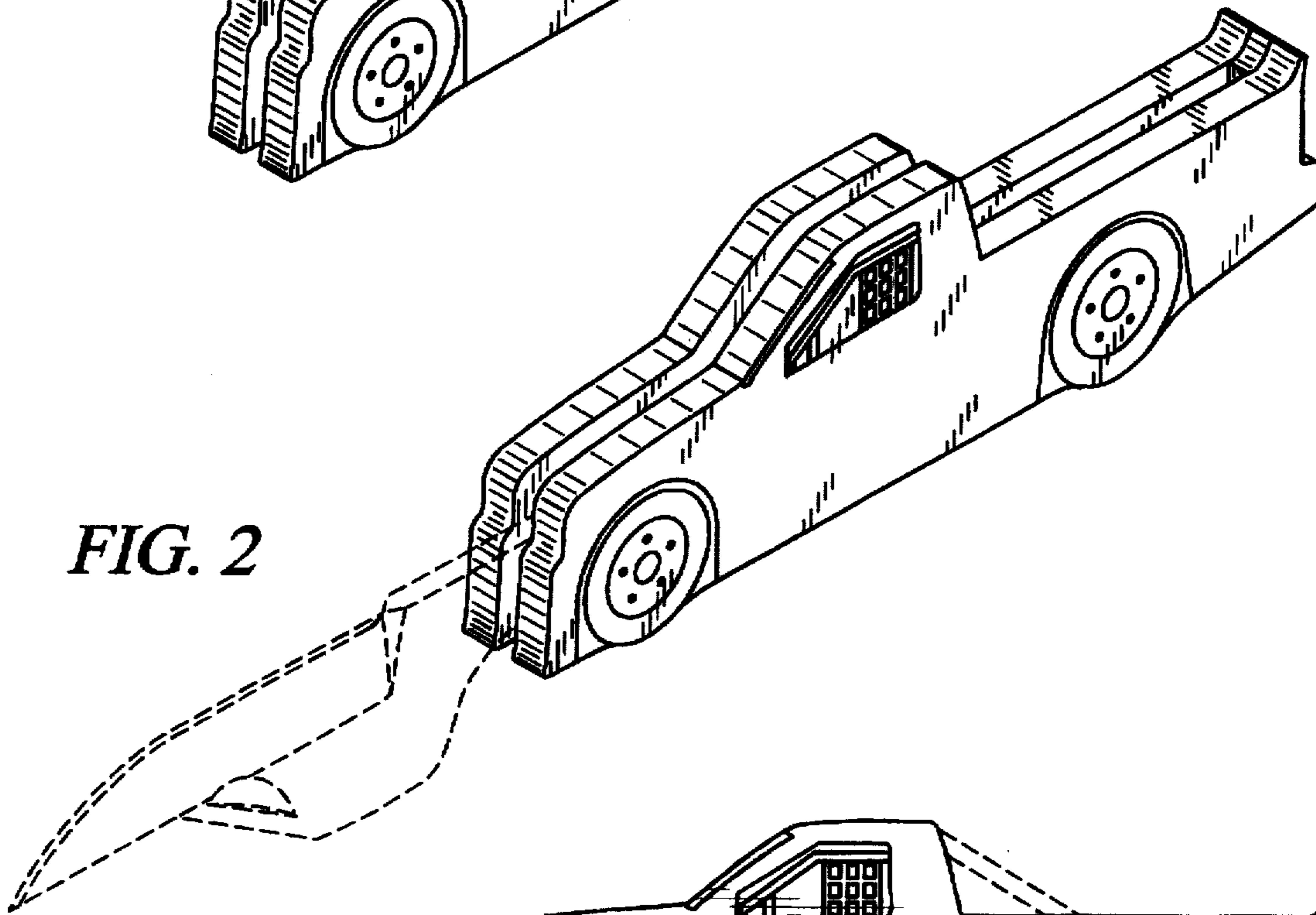
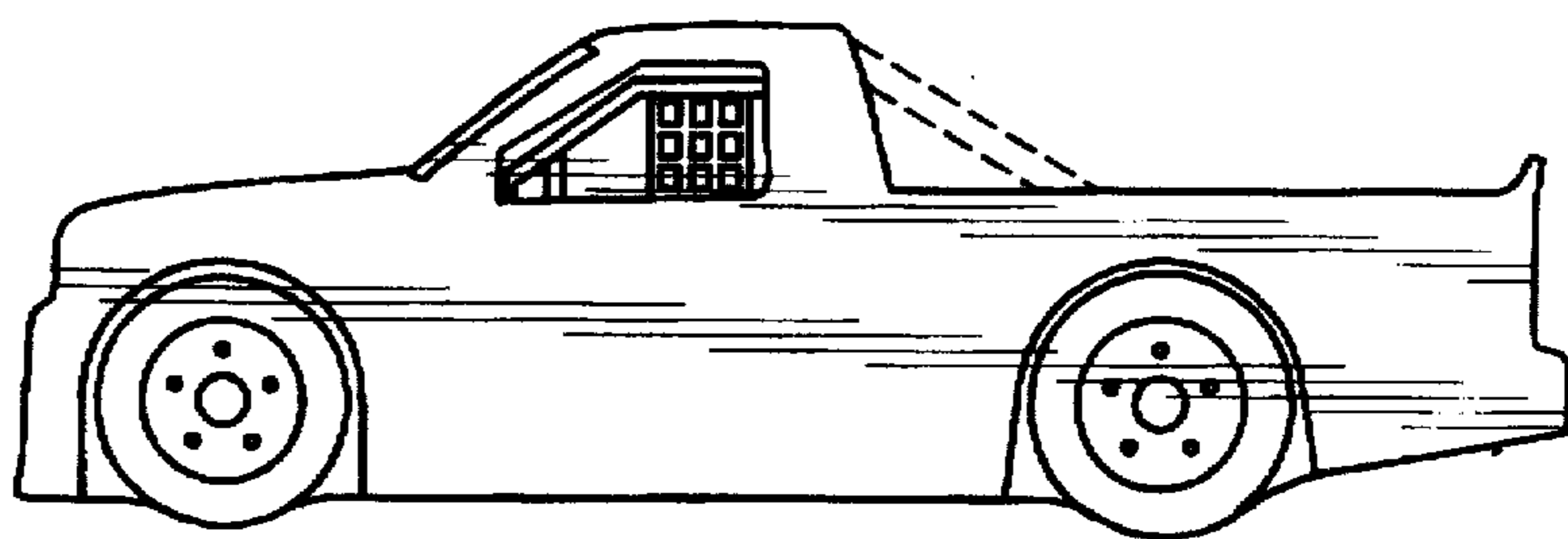


FIG. 3



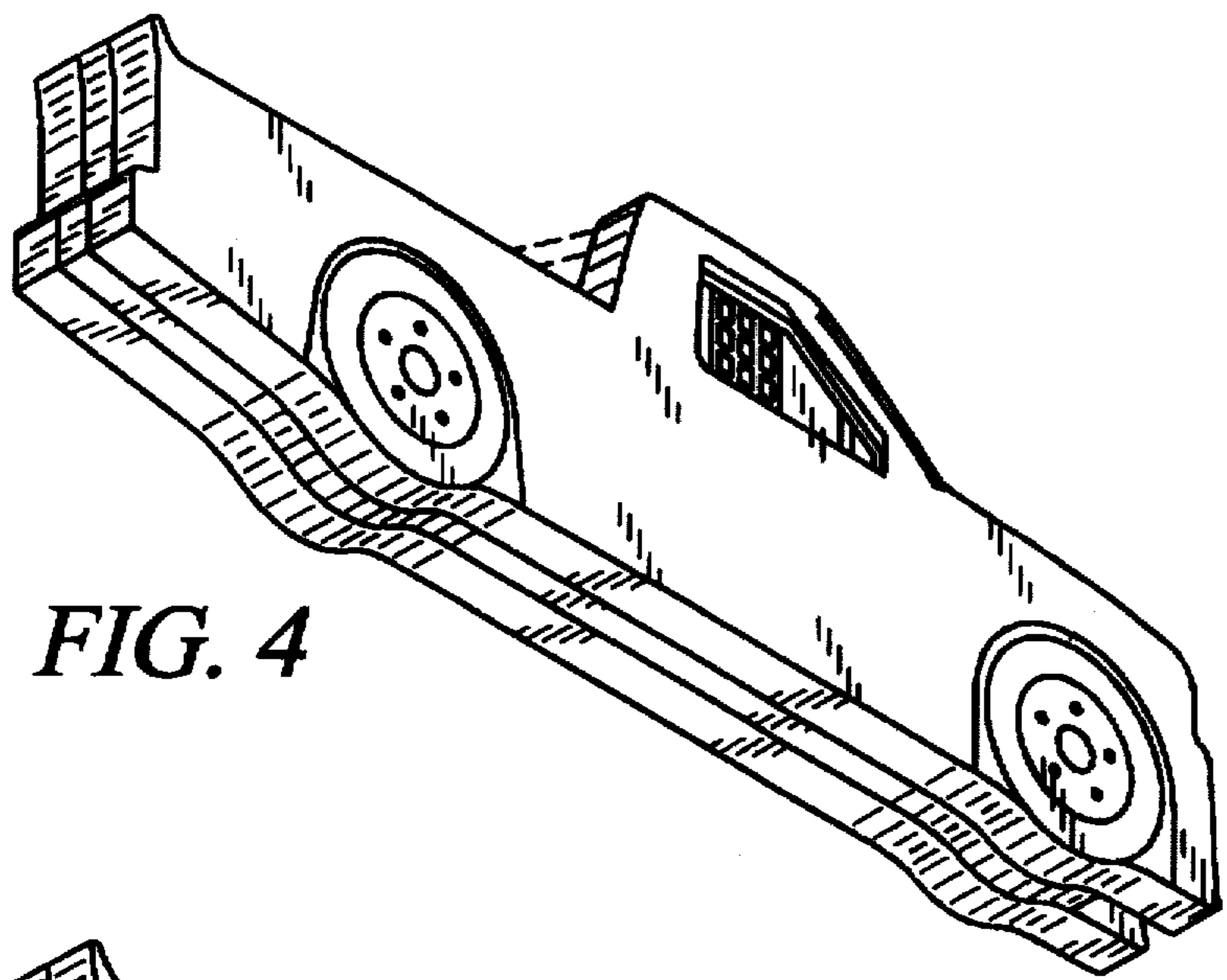


FIG. 4

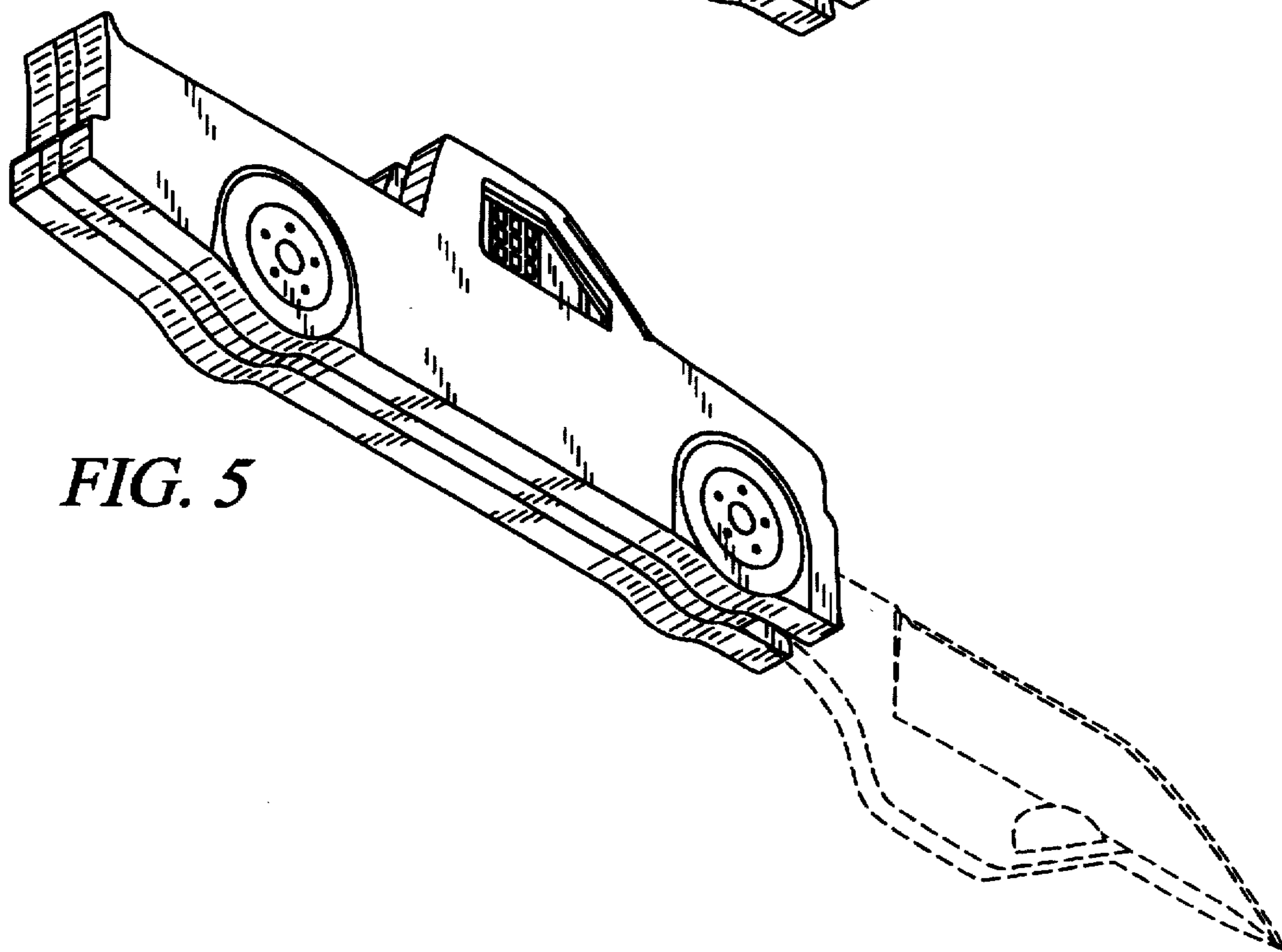


FIG. 5