



US00D386060S

United States Patent [19]

O'Hara et al.

[11] Patent Number: **Des. 386,060**

[45] Date of Patent: ****Nov. 11, 1997**

[54] **POCKET KNIFE**

D. 363,871 11/1995 Coggins D8/100
D. 367,599 3/1996 Sakai D8/99

[76] Inventors: **Douglas R. O'Hara**, 8129 Savannah Hills Dr., Ooltewah, Tenn. 37363; **Paul Steven Williams**, 129 Blue Springs La., Cleveland, Tenn. 37311

OTHER PUBLICATIONS

Blade Magazine, pp. 52 and 53, pocket knives Apr. 1991.

Primary Examiner—Philip S. Hyder
Attorney, Agent, or Firm—Alan Ruderman

[**] Term: **14 Years**

[57] CLAIM

[21] Appl. No.: **63,536**

The ornamental design for a pocket knife, as shown.

[22] Filed: **Dec. 10, 1996**

DESCRIPTION

[51] LOC (6) Cl. **08-03**

[52] U.S. Cl. **D8/100; D8/99**

[58] Field of Search D8/99, 100; D22/118;
D21/136, 134; 30/151, 152, 153, 154, 155,
156, 157, 158, 159, 160

FIG. 1 is a front perspective view of a pocket knife embodying my new design with the blade in the retracted position; FIG. 2 is a view similar to FIG. 1 with the blade extended fully;

FIG. 3 is a side elevational view with the blade retracted; FIG. 4 is a bottom rear perspective view thereof with the blade retracted; and,

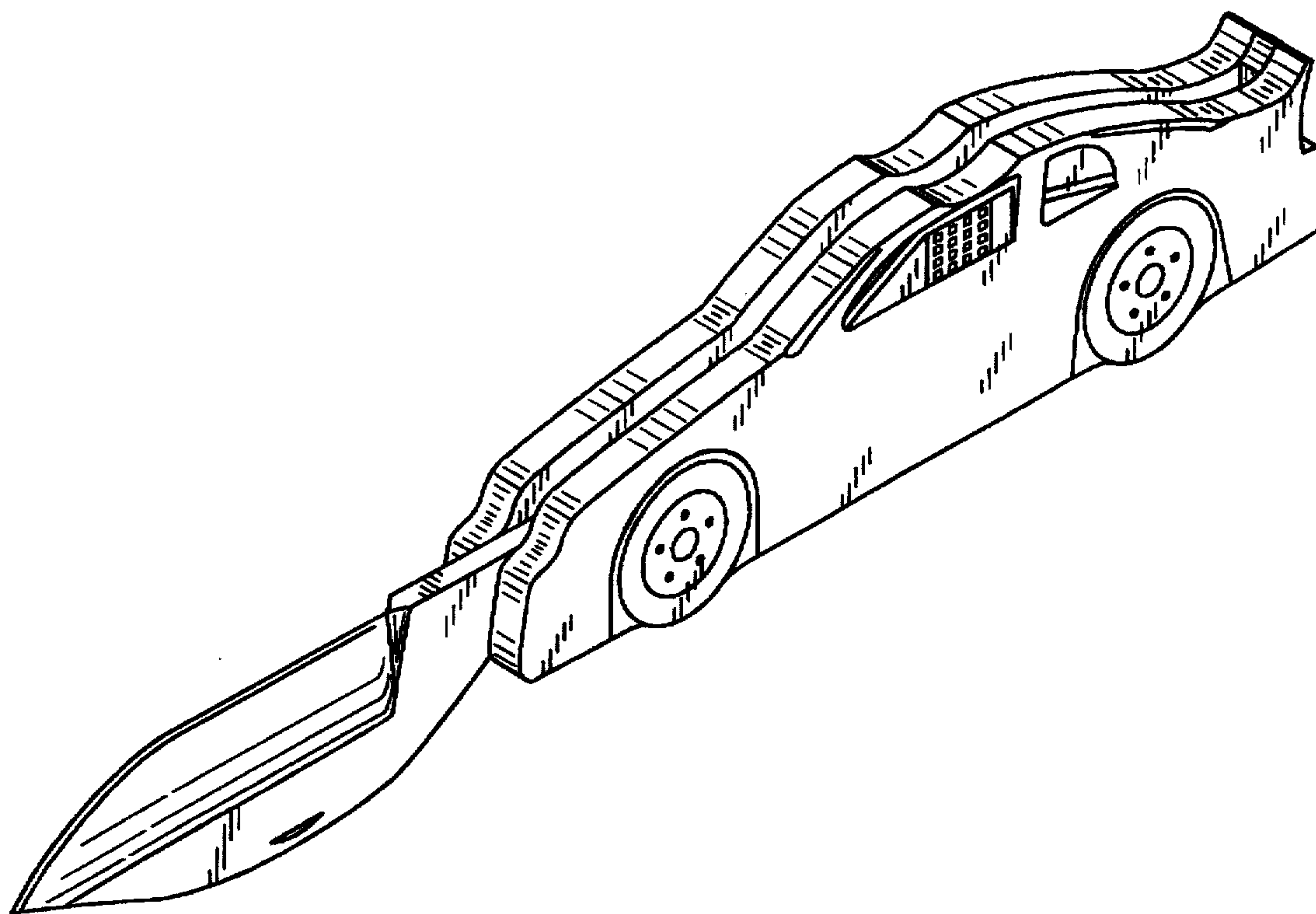
FIG. 5 is a bottom rear perspective view with the blade extended.

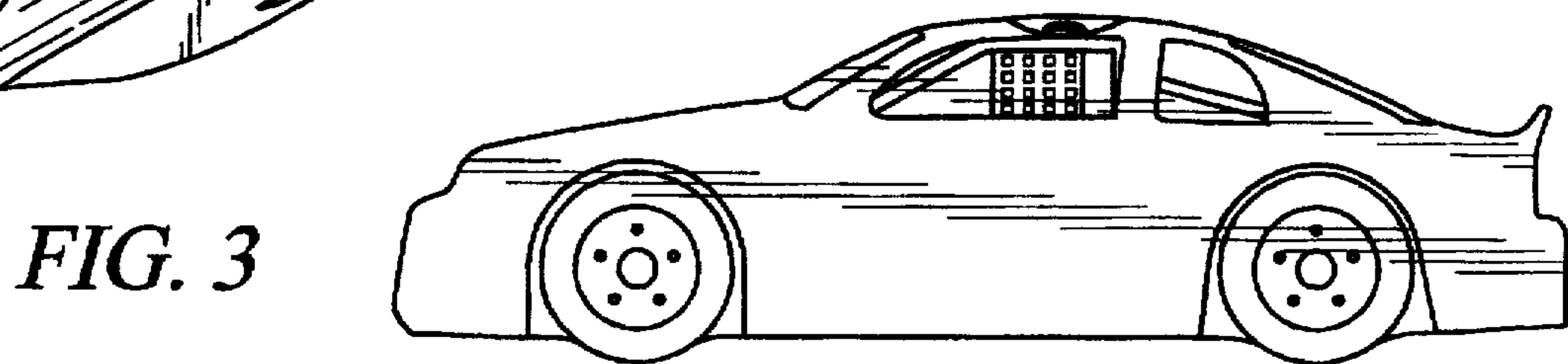
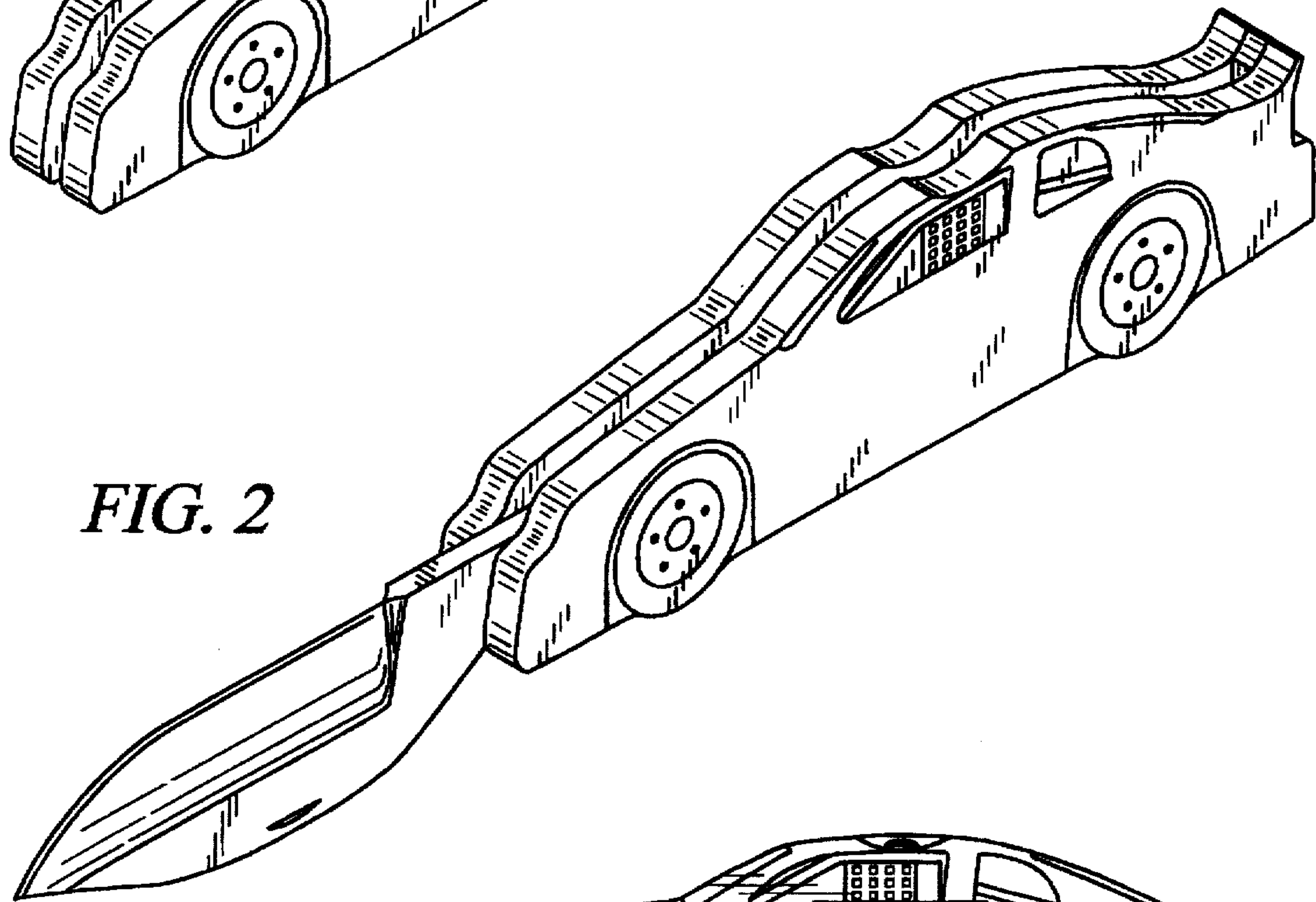
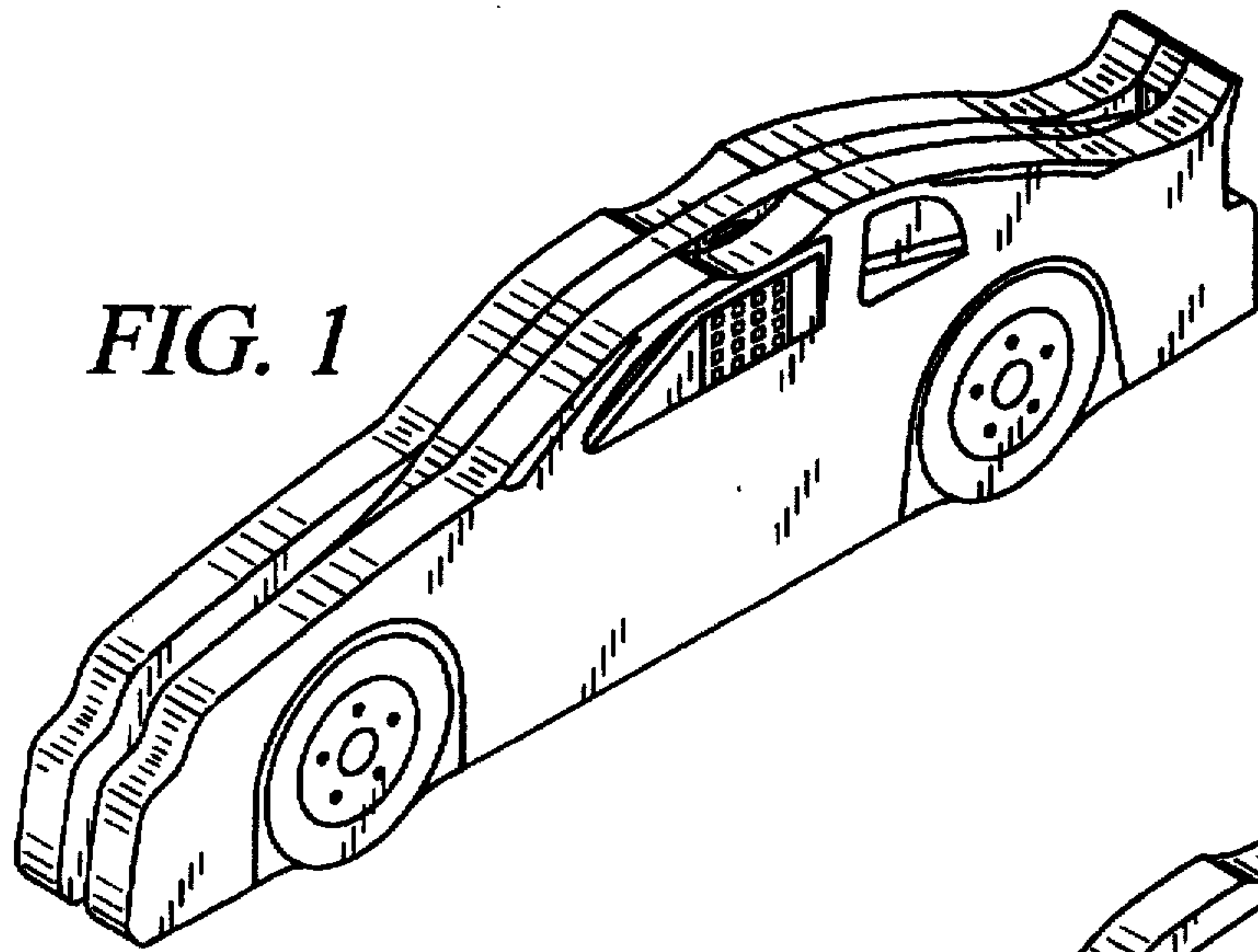
[56] References Cited

U.S. PATENT DOCUMENTS

D. 345,176 3/1994 Monzyk D21/136
D. 356,019 3/1995 Sakai D8/99

1 Claim, 2 Drawing Sheets





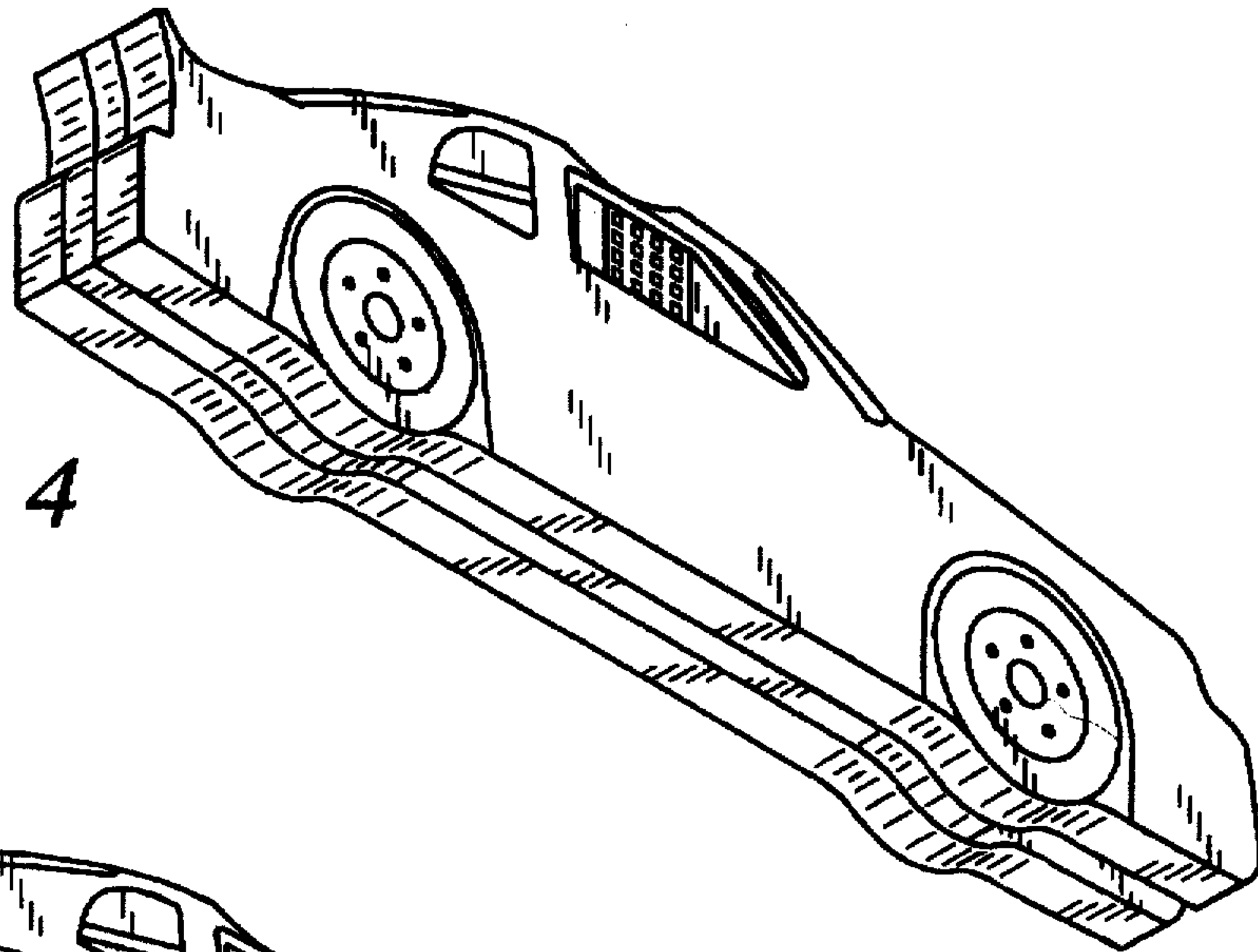


FIG. 4

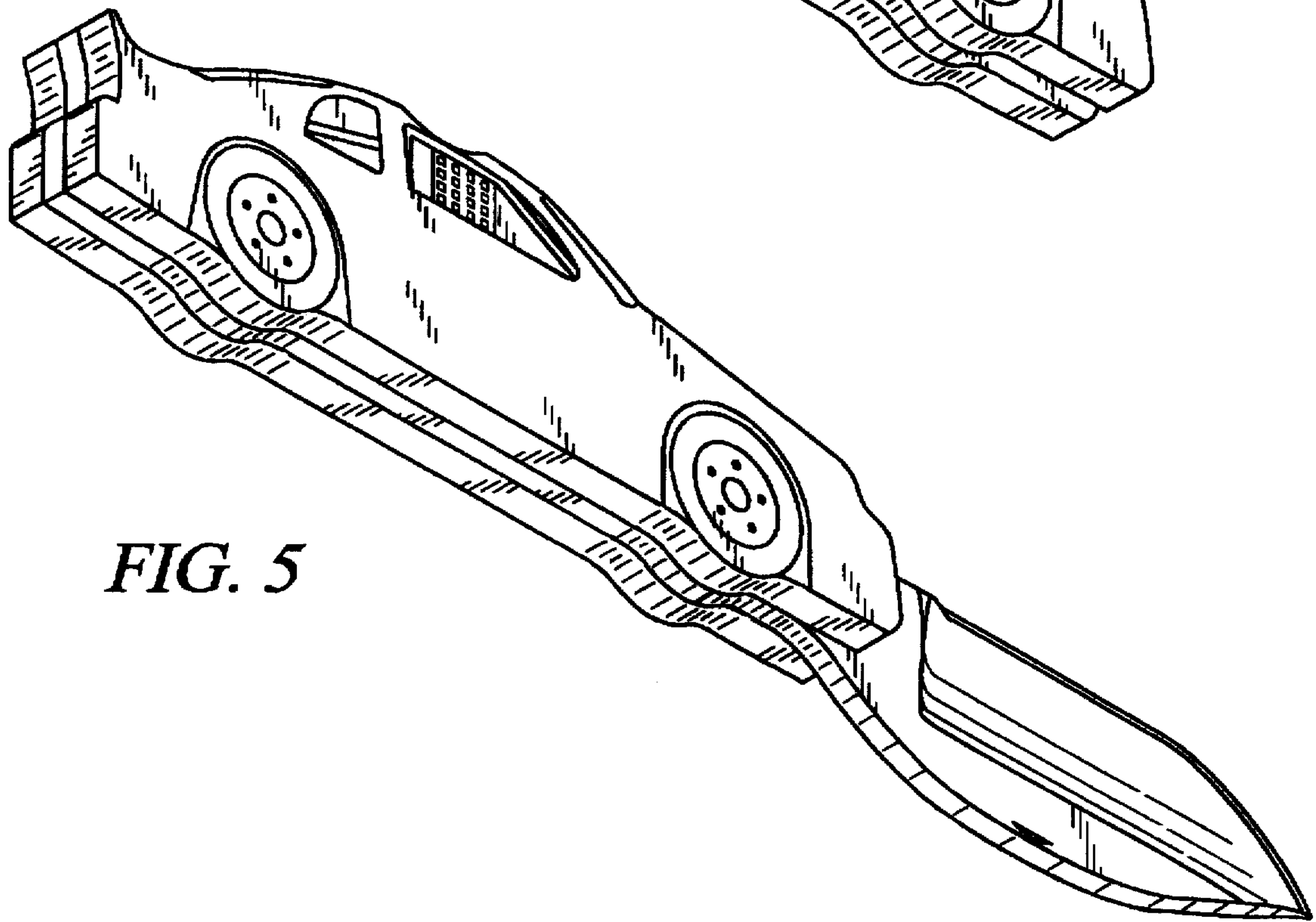


FIG. 5