



US00D386057S

United States Patent [19]

Hreha

[11] Patent Number: Des. 386,057

[45] Date of Patent: **Nov. 11, 1997

[54] **PANEL LIFTER PRY BAR**

[75] Inventor: **Kenneth W. Hreha**, Tullahoma, Tenn.

[73] Assignee: **The Stanley Works**, New Britain, Conn.

[**] Term: **14 Years**

[21] Appl. No.: **58,920**

[22] Filed: **Aug. 28, 1996**

2,373,898 4/1945 Kulesh .

2,457,231 12/1948 Henderson D8/89

2,465,217 3/1949 Fleming D8/88

2,569,242 9/1951 Kors D8/88

2,896,910 7/1959 Cooper et al. 254/133

3,134,514 5/1964 Reuterfors 254/131

3,522,932 8/1970 Nakasone 254/131

3,587,121 6/1971 Morrow 254/131

3,680,834 8/1972 Holloway 254/25

4,183,503 1/1980 Ward 254/131

4,868,943 9/1989 Robichaud 254/131

4,884,416 12/1989 Hand 254/25

[51] LOC (6) Cl. **08-05**

[52] U.S. Cl. **D8/89**

[58] Field of Search D8/88, 89; 254/25,
254/26 R, 131, 28; 7/166

Primary Examiner—Philip S. Hyder

[57] CLAIM

The ornamental design for a panel lifter pry bar, as shown and described.

[56] References Cited

U.S. PATENT DOCUMENTS

96,700 11/1869 Howard 7/166

D. 103,141 2/1937 White D8/89

D. 158,110 4/1950 Lutz D8/88

D. 197,205 12/1963 Estwing D8/89

D. 202,475 10/1965 Anderton D8/89

D. 211,755 7/1968 Yeager D8/89

D. 263,673 4/1982 Sheehan D8/89

D. 337,492 7/1993 Ryan et al. D8/89

D. 348,595 7/1994 Kusner D8/89

1,270,970 7/1918 Rich 7/166

1,486,820 3/1924 Wilder 7/166

1,890,273 12/1932 Wells 254/131

2,087,148 7/1937 Hempy 7/166

DESCRIPTION

FIG. 1 is a perspective view of a panel lifter pry bar showing my new design;

FIG. 2 is an end elevational view of the panel lifter end or right hand end as seen in FIG. 1;

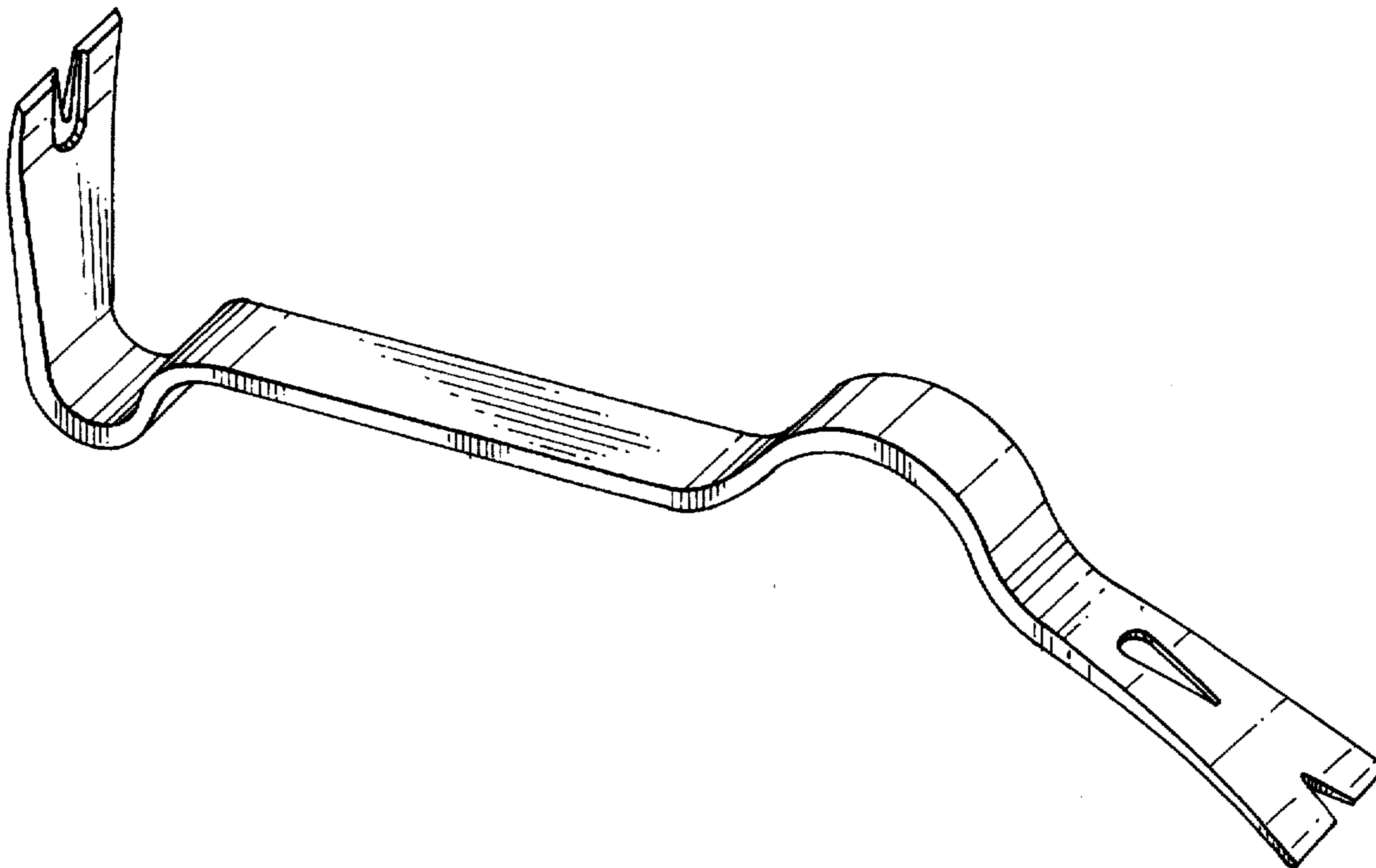
FIG. 3 is an end elevational view of the opposite or left hand end thereof as seen in FIG. 1;

FIG. 4 is a side elevational view thereof, the opposite side being a mirror image thereof;

FIG. 5 is a bottom view thereof; and,

FIG. 6 is a top plan view thereof.

1 Claim, 2 Drawing Sheets



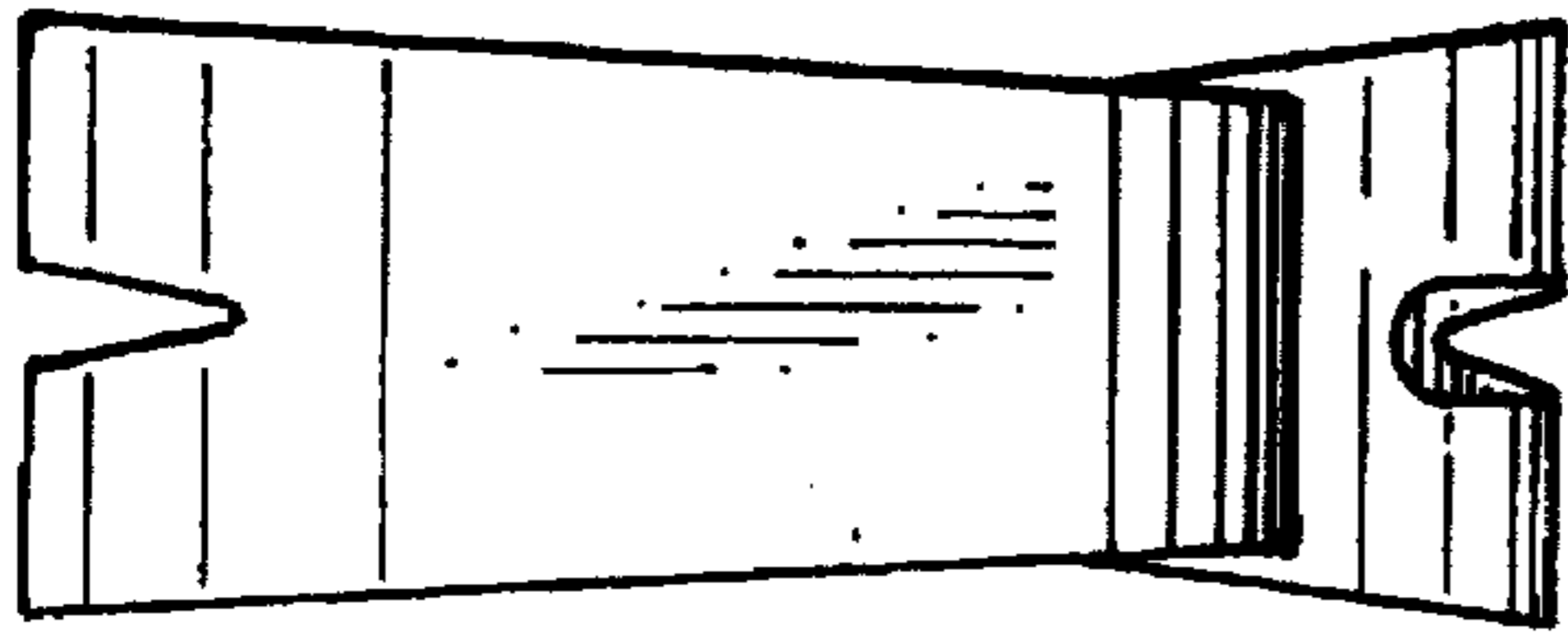


FIG. 3

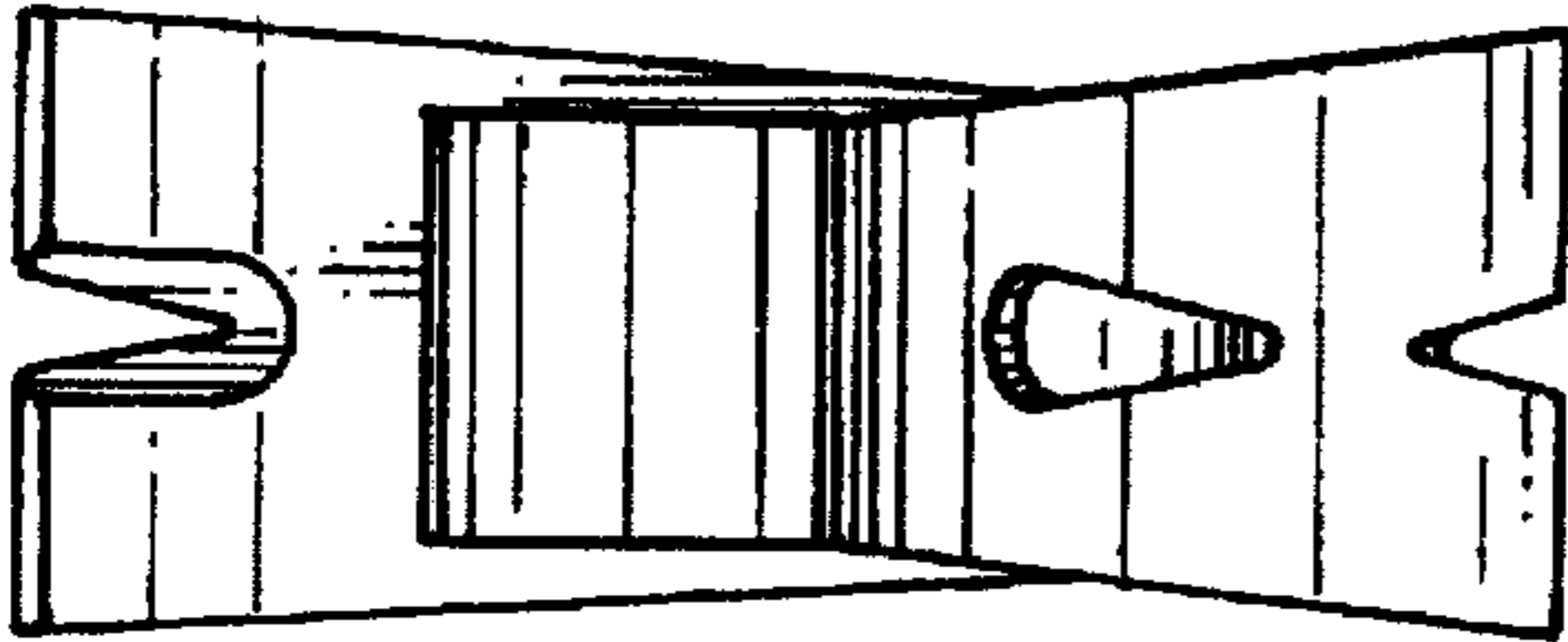


FIG. 2

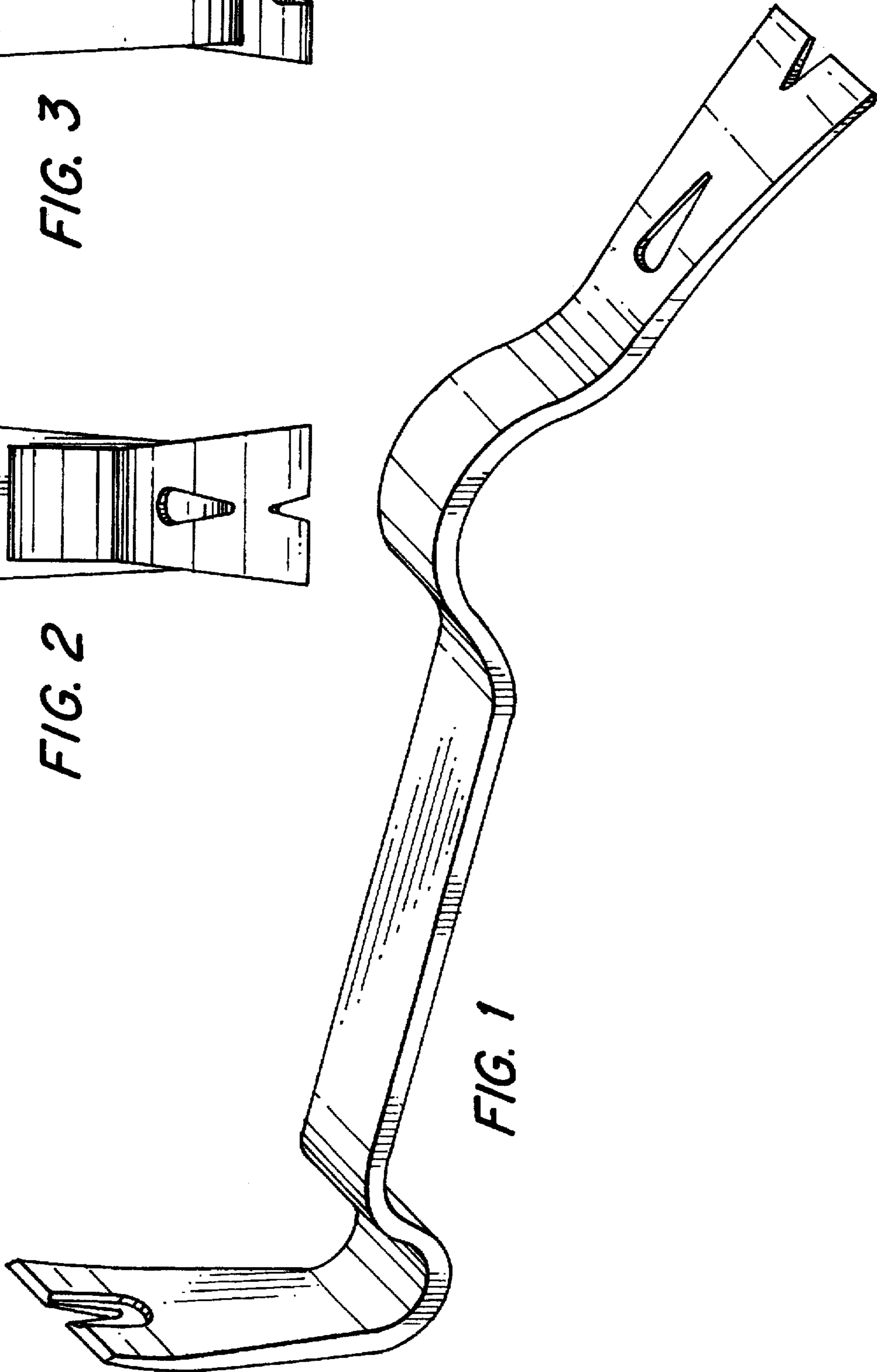


FIG. 1

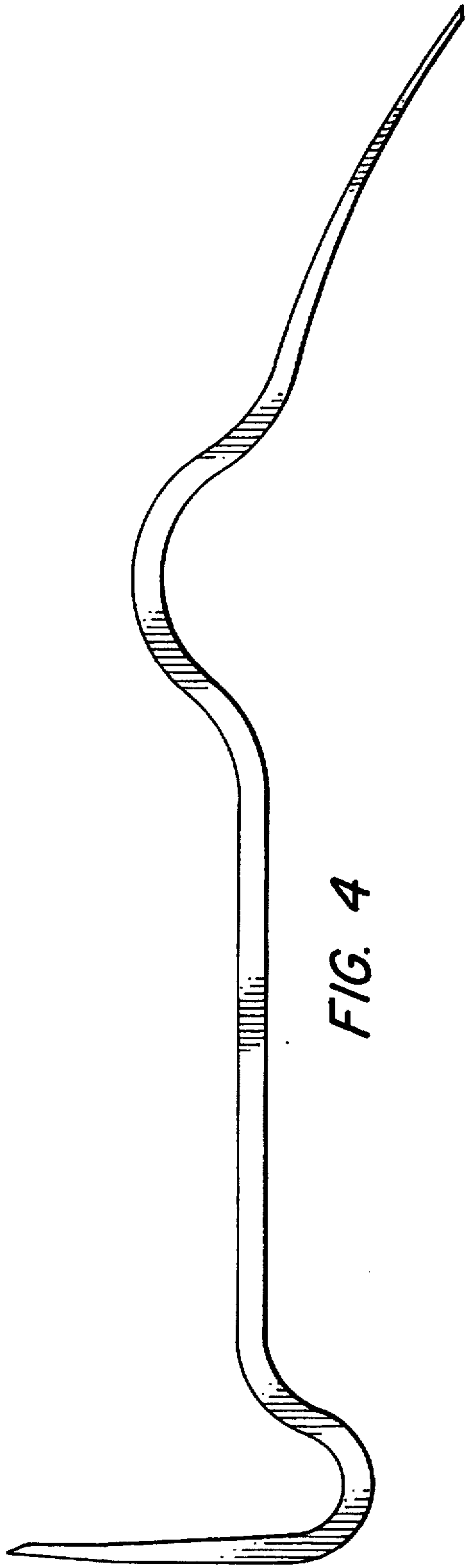


FIG. 4

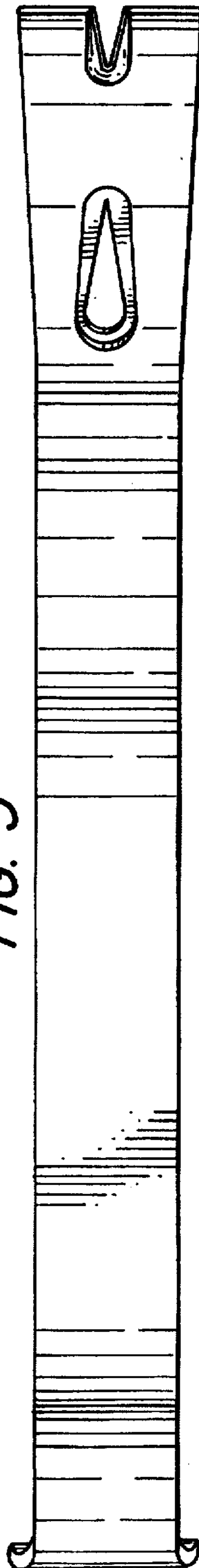


FIG. 5

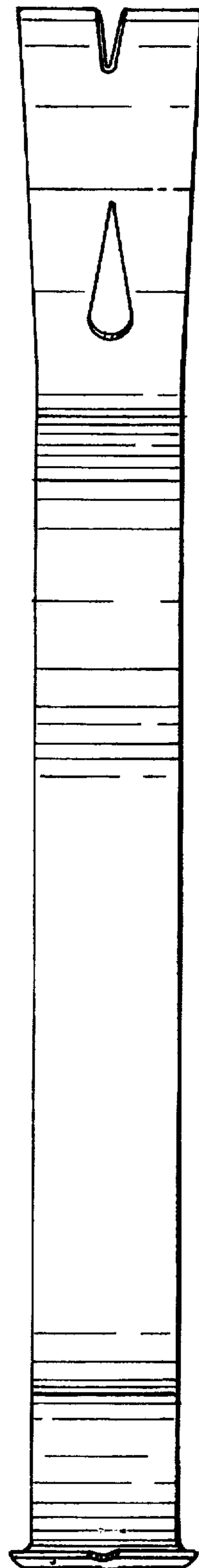


FIG. 6