



US00D386055S

United States Patent [19]

Gustafsson et al.

[11] Patent Number: Des. 386,055

[45] Date of Patent: **Nov. 11, 1997

[54] **HANDLE FOR MACHINE DRIVEN BREAKER TOOL**

[75] Inventors: **Lennart K. R. Gustafsson; Stefan G. Jakobsson**, both of Kalmar, Sweden

3,990,523 11/1976 Schramm et al. .
 4,282,938 8/1981 Minamidate .
 4,609,053 9/1986 Ragnmark .
 4,912,848 4/1990 Bidanset 173/162.2 X
 5,095,600 3/1992 Allan 173/162.2 X

[73] Assignee: **Atlas Copco Berema Aktiebolag**, Nacka, Sweden

Primary Examiner—Antoine Duval Davis
Attorney, Agent, or Firm—Frishauf, Holtz, Goodman, Langer & Chick

[**] Term: 14 Years

[57] CLAIM

[21] Appl. No.: 49,011

The ornamental design for a handle for machine driven breaker tool, as shown and described.

[22] Filed: Jan. 5, 1996

DESCRIPTION

[30] Foreign Application Priority Data

Jul. 13, 1995 [SE] Sweden 95-1375
 Jul. 13, 1995 [SE] Sweden 95-1376

FIG. 1 is a left side view showing the handle for machine driven breaker tool in use showing our new design;
 FIG. 2 is a front elevational view thereof;
 FIG. 3 is a right side view thereof;
 FIG. 4 is a rear elevational view thereof;
 FIG. 5 is a top plan view thereof;
 FIG. 6 is a bottom plan view thereof;
 FIG. 7 is a left side view of a modified embodiment thereof;
 FIG. 8 is a front elevational view thereof;
 FIG. 9 is a right side view thereof;
 FIG. 10 is a rear elevational view thereof;
 FIG. 11 is a top plan view thereof; and,
 FIG. 12 is a bottom plan view thereof.
 The broken line showings are for illustrative purposes only and forms no part of the claimed design.

[51] LOC (6) Cl. 08-06

[52] U.S. Cl. D8/69

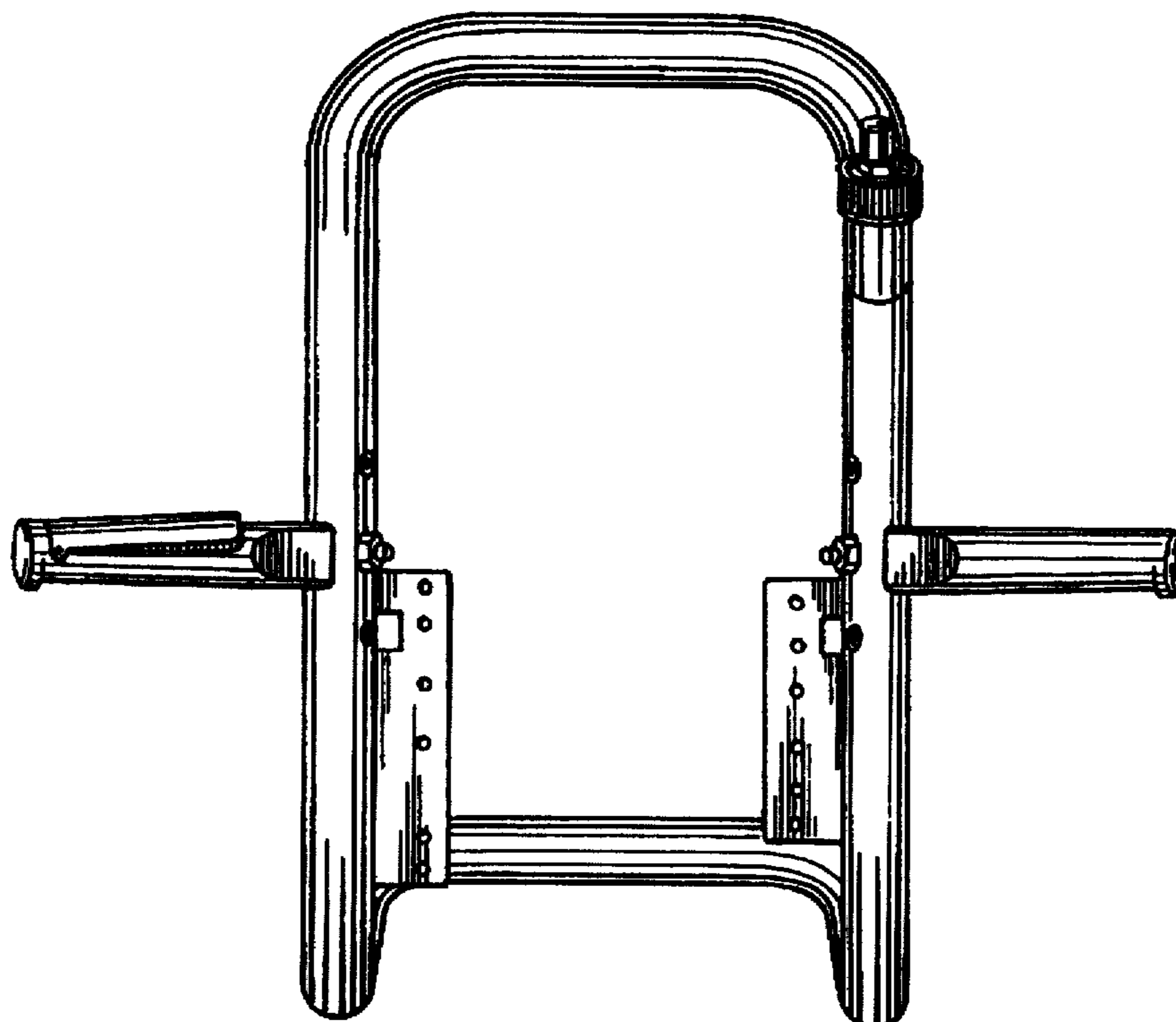
[58] Field of Search D8/61, 69, 70, D8/300, 303, 315, 316, 317, 318, 319, 320; D15/142; 173/162.2, 170, 213; 16/110.5; 222/191

[56] References Cited

U.S. PATENT DOCUMENTS

D. 237,455 11/1975 Schann D8/69
 D. 319,959 9/1991 Johansson .
 D. 319,960 9/1991 Johansson .
 2,430,817 11/1947 Jackson .
 3,451,492 6/1969 Ekstrom et al. .

1 Claim, 6 Drawing Sheets



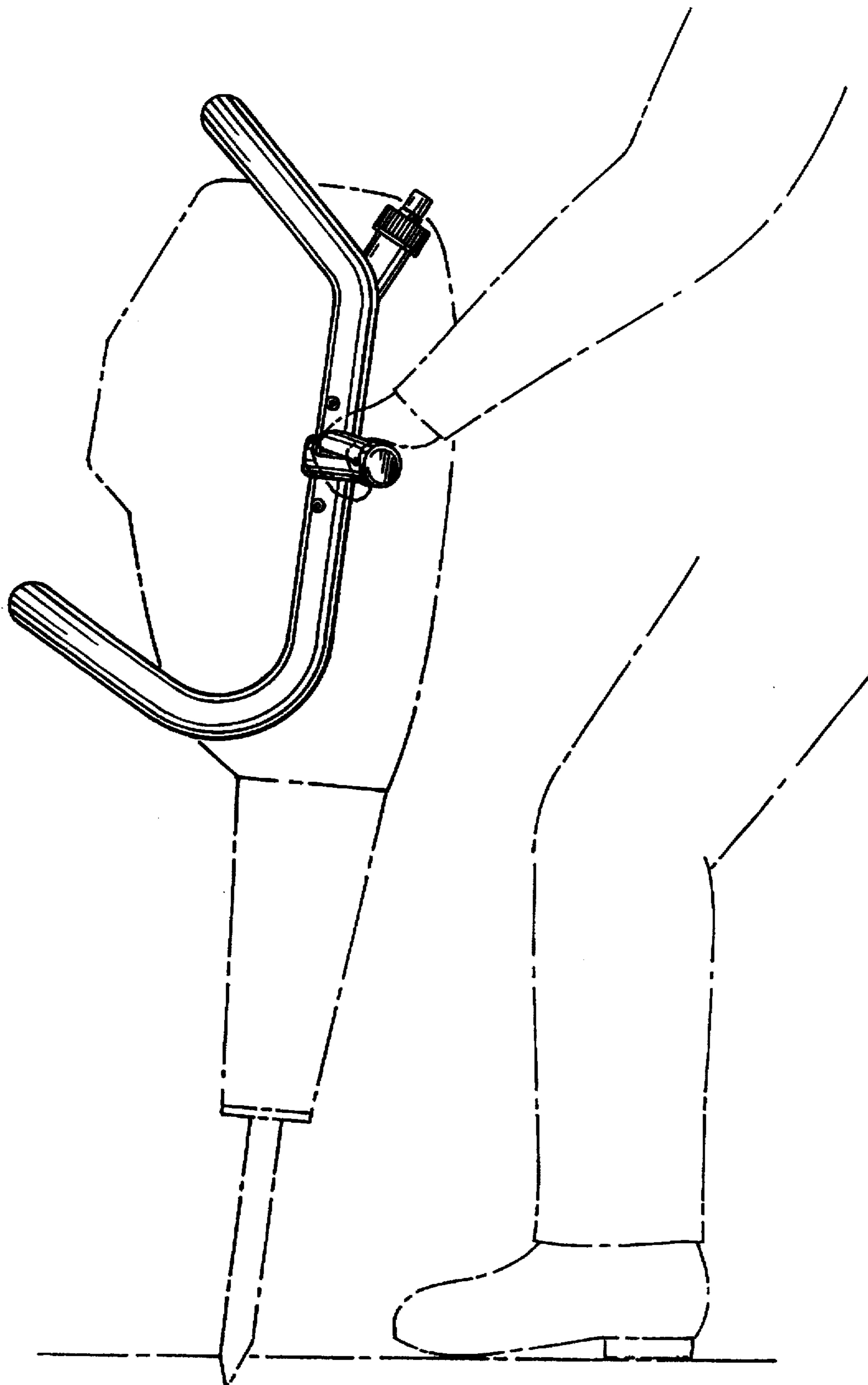


Fig. 1

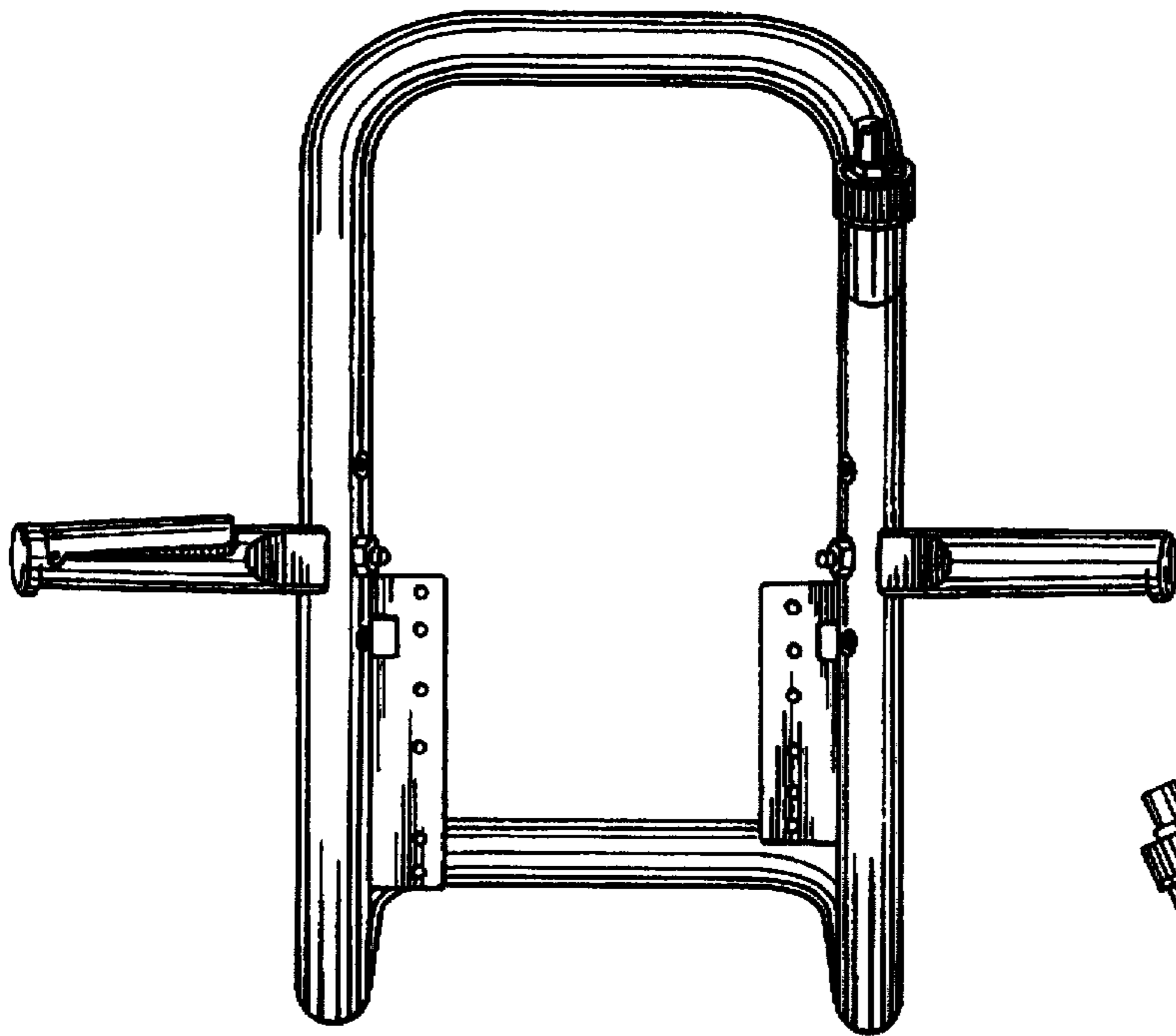


Fig. 2

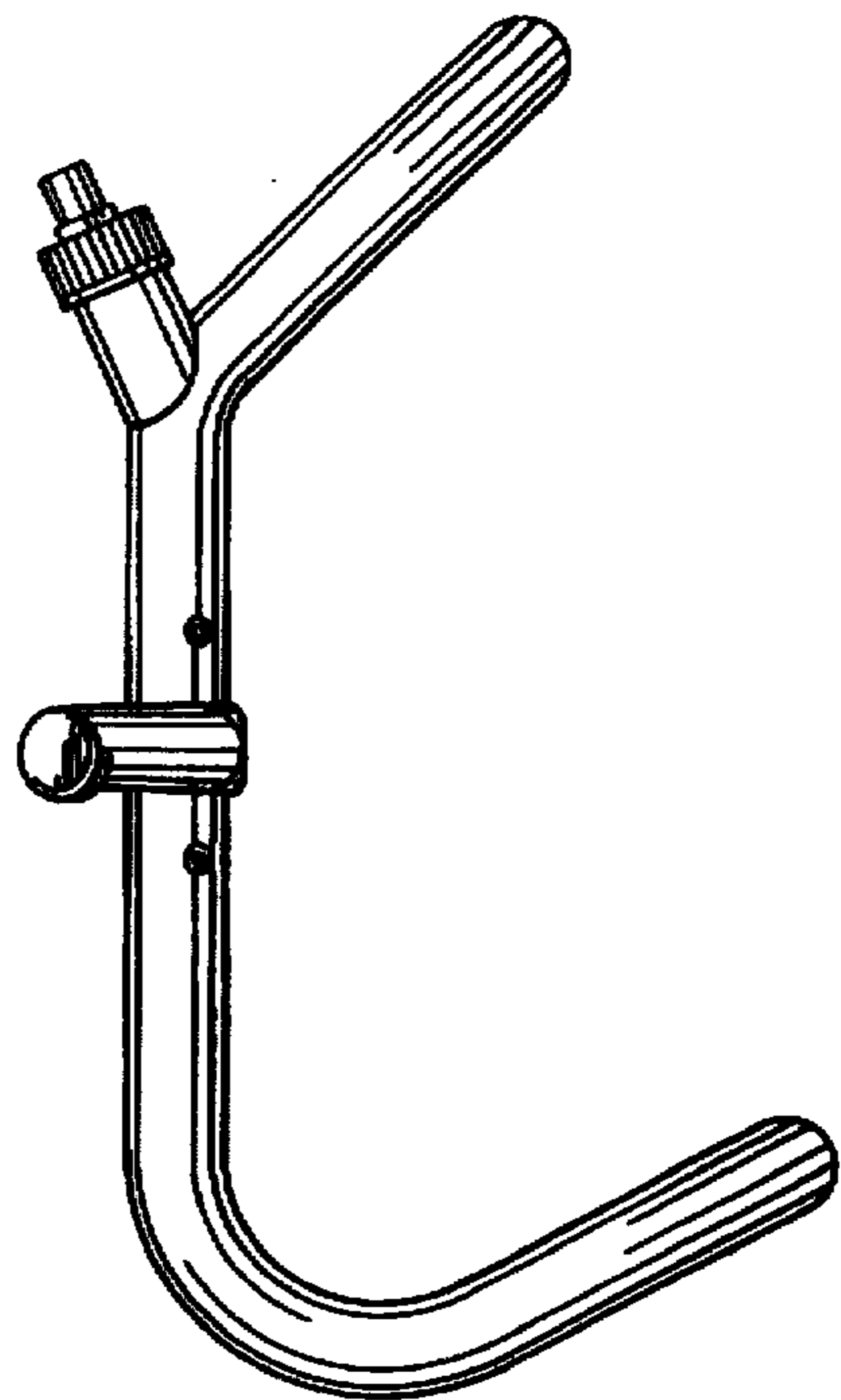


Fig. 3

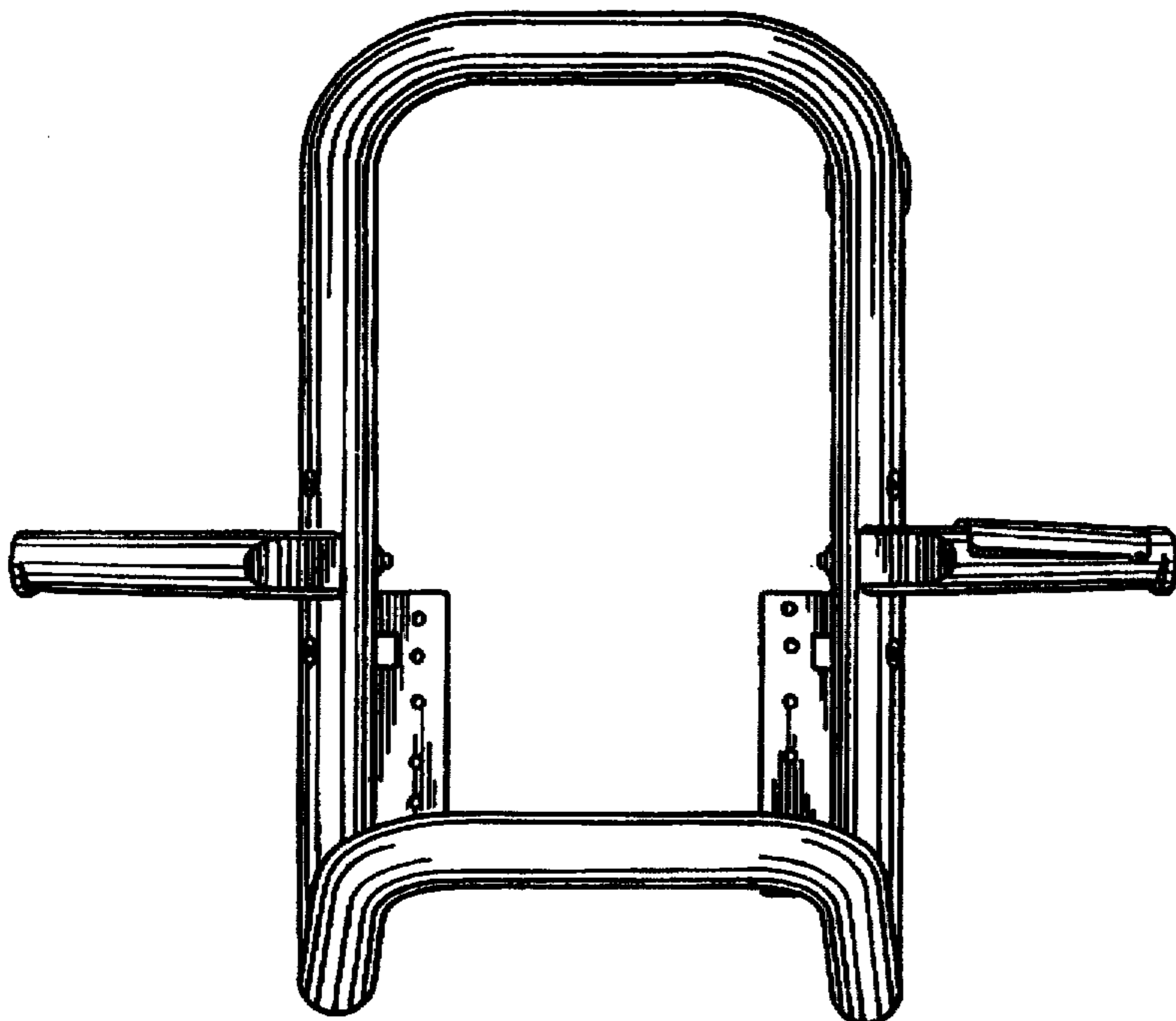


Fig. 4

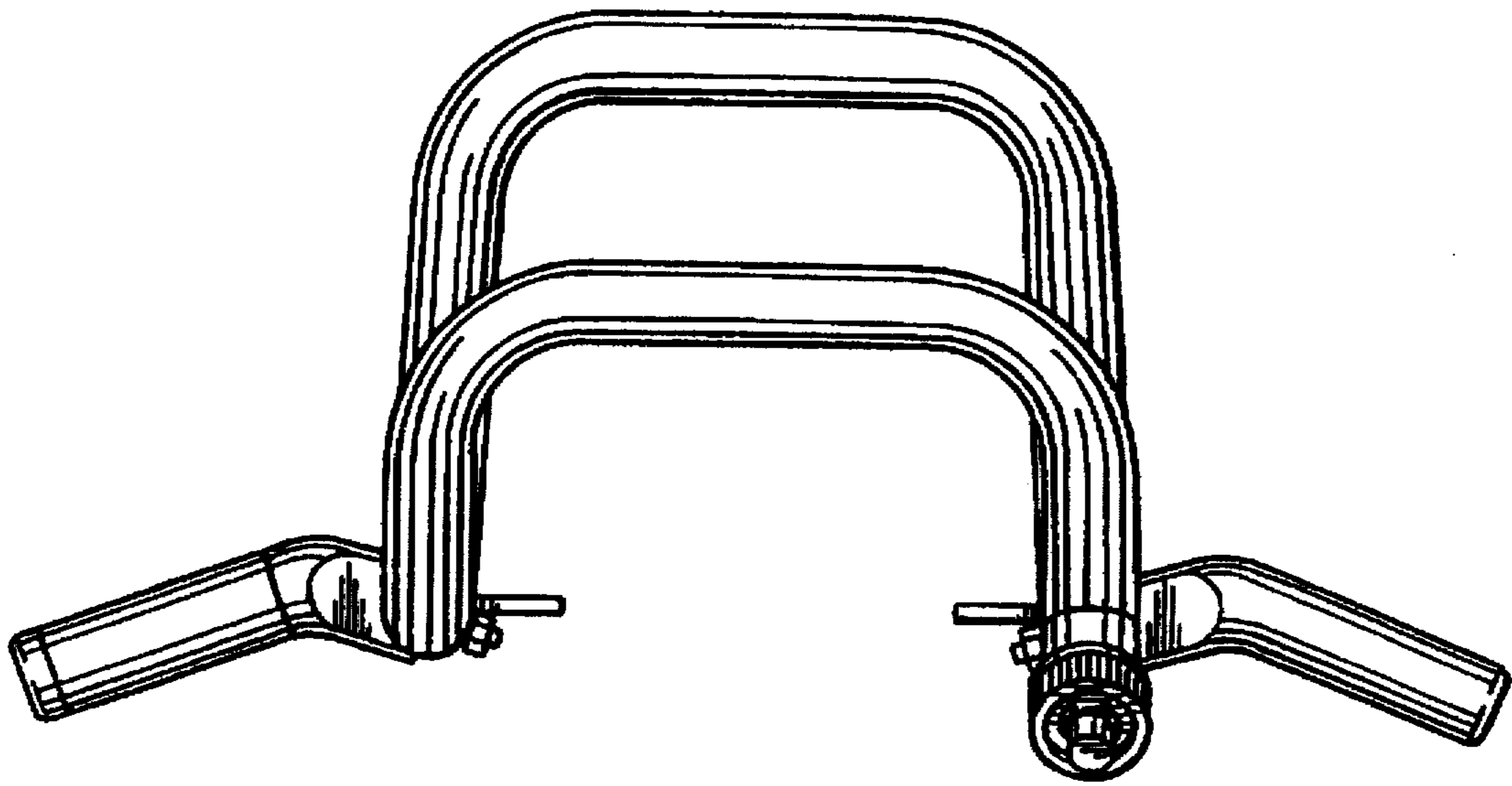


Fig. 5

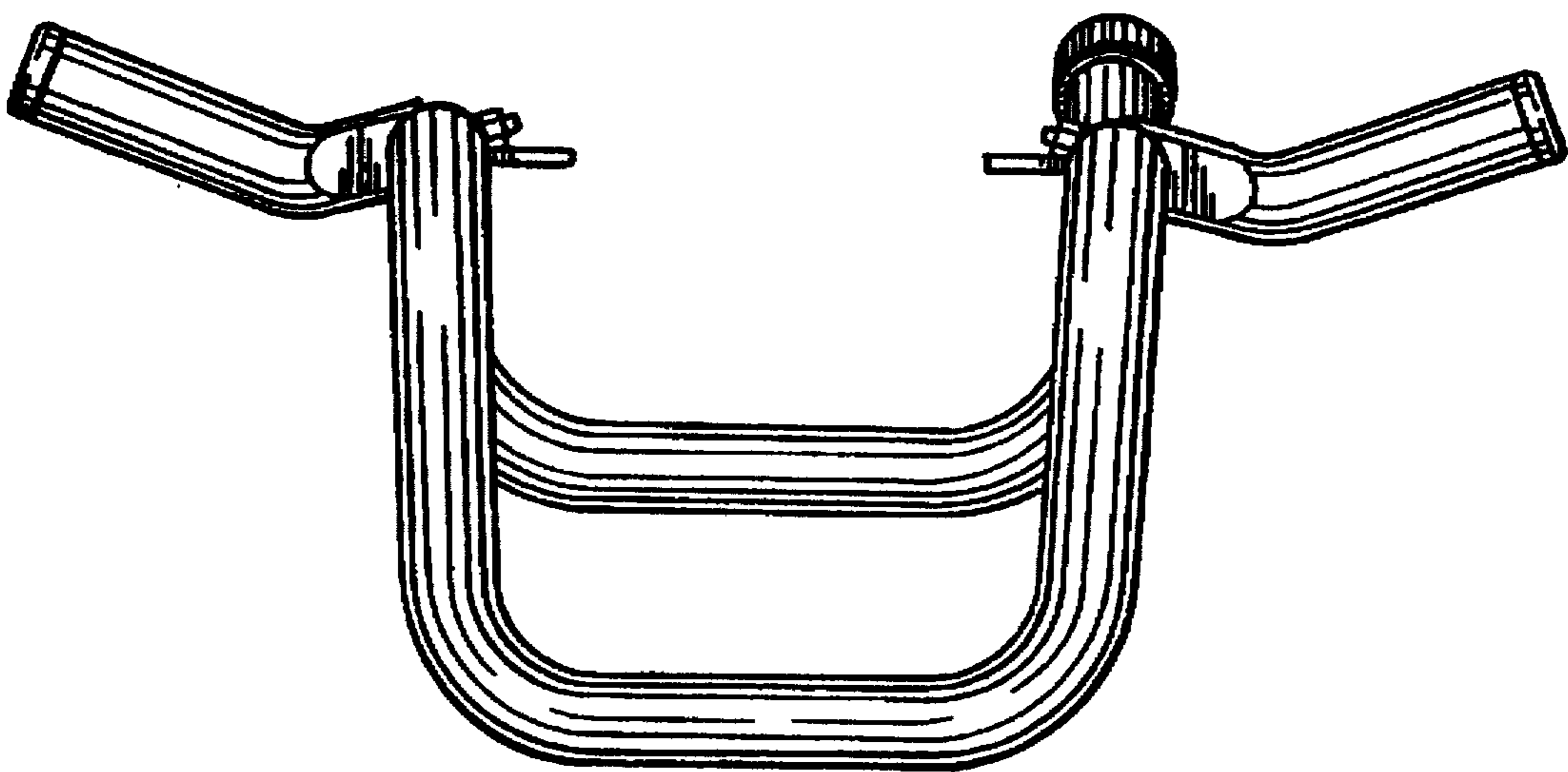


Fig. 6

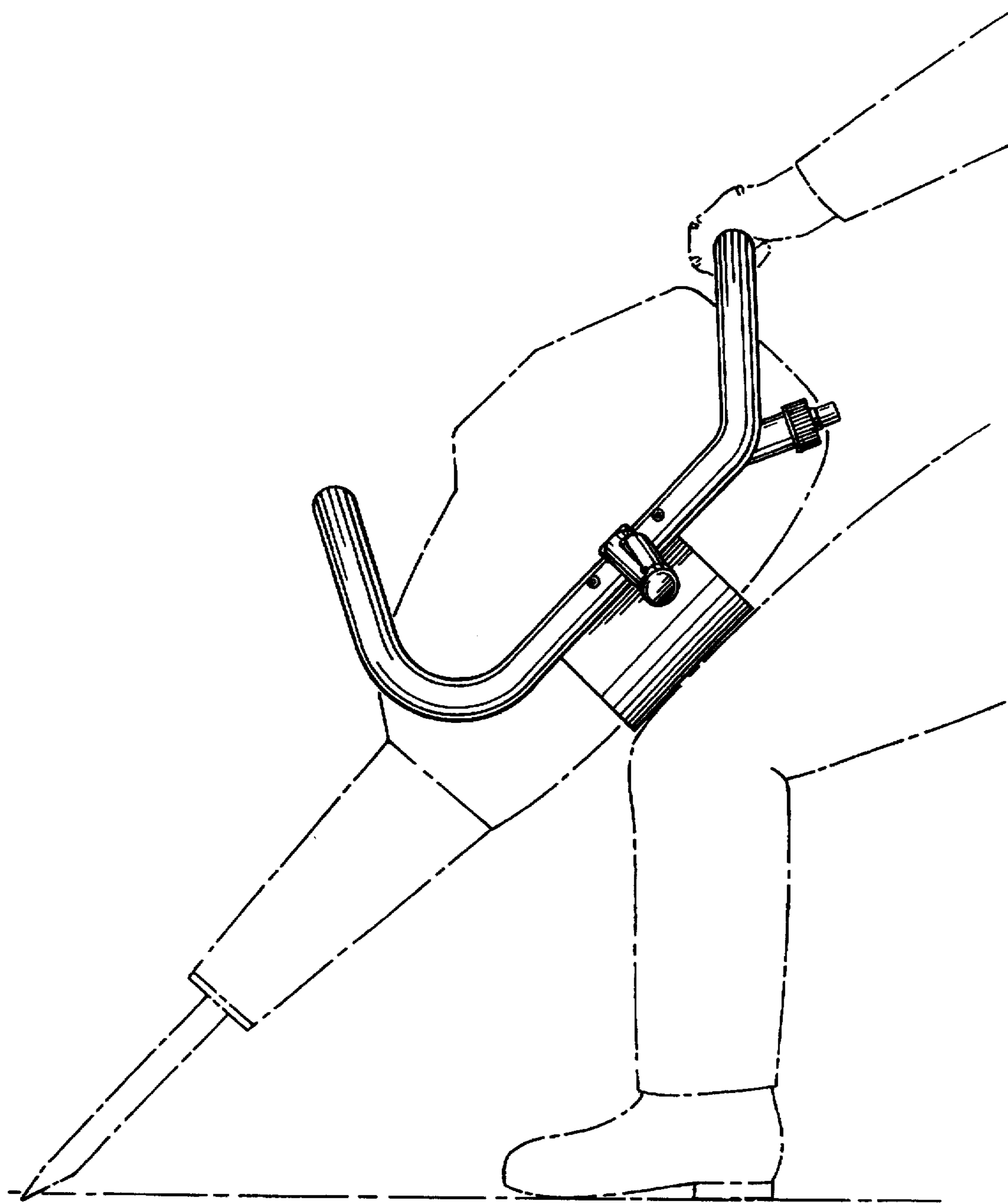


Fig. 7

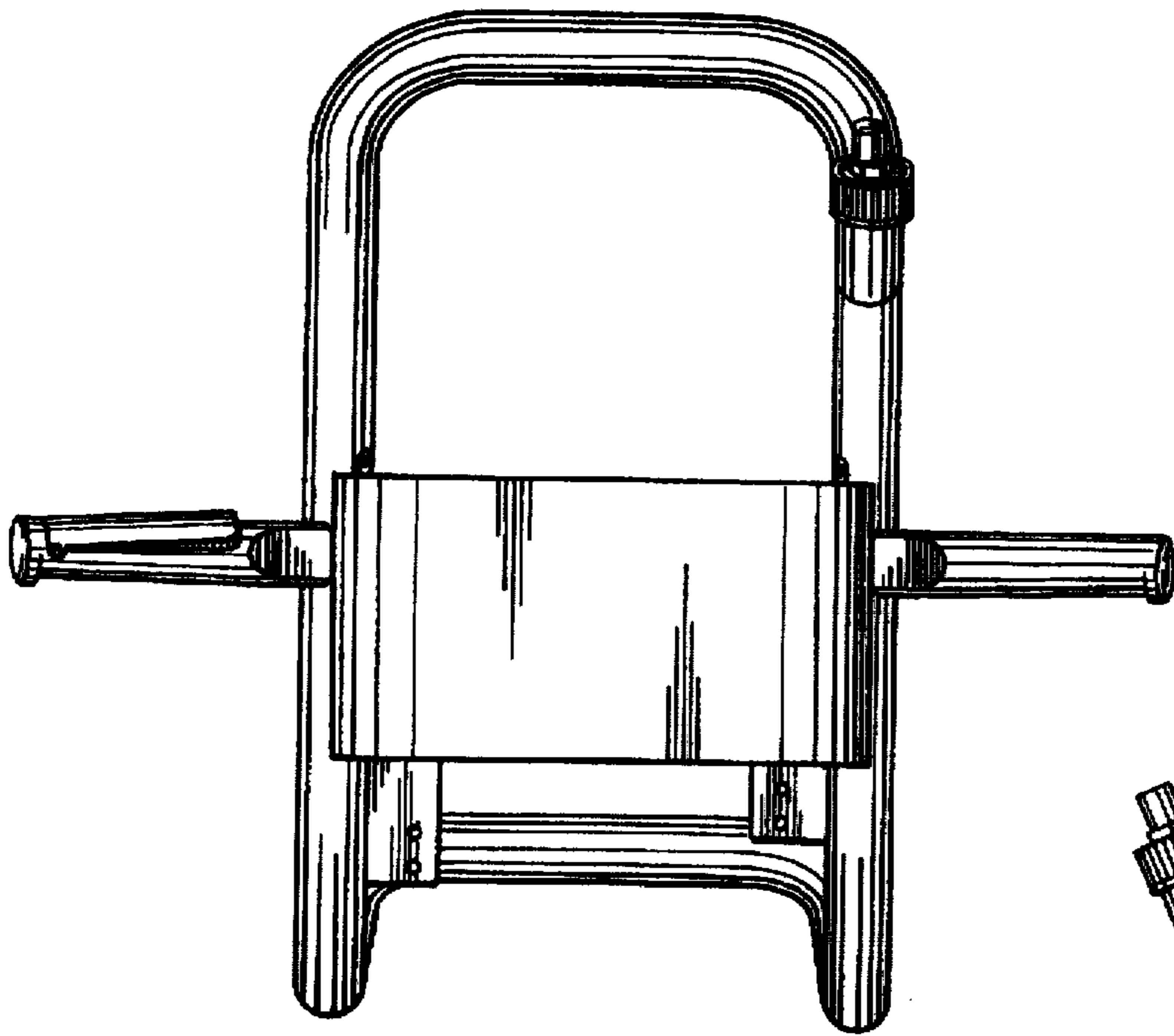


Fig. 8

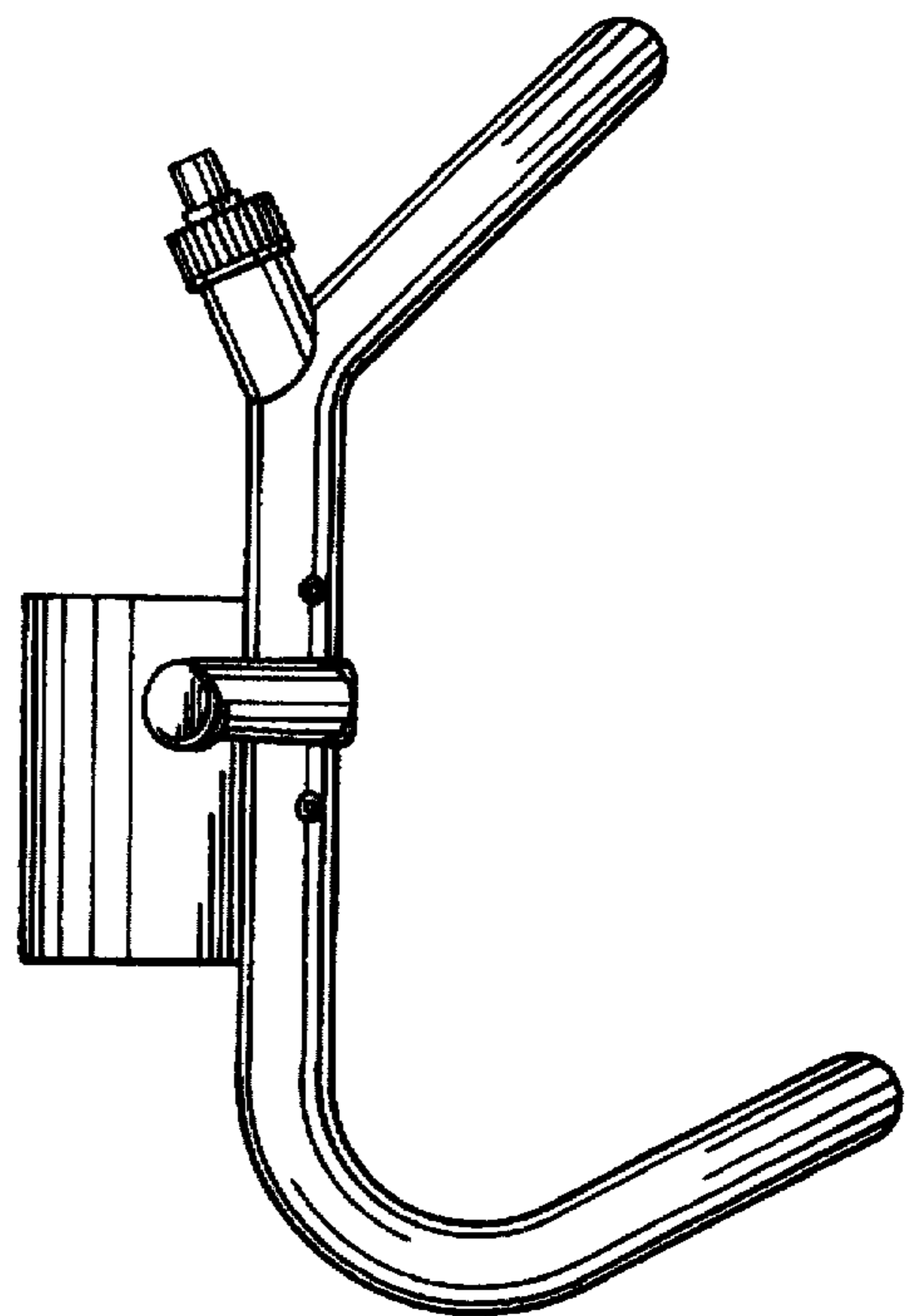


Fig. 9

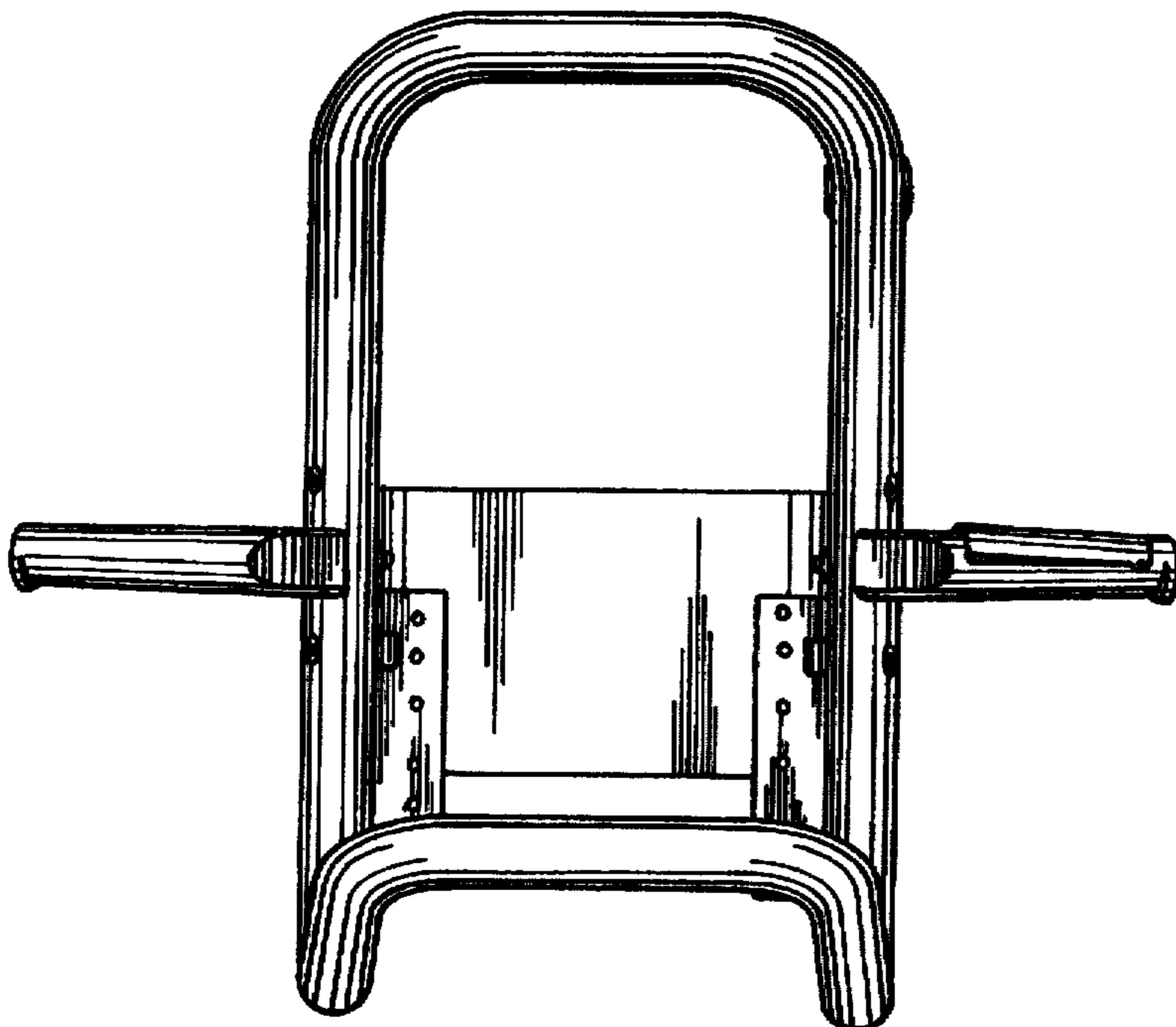


Fig. 10

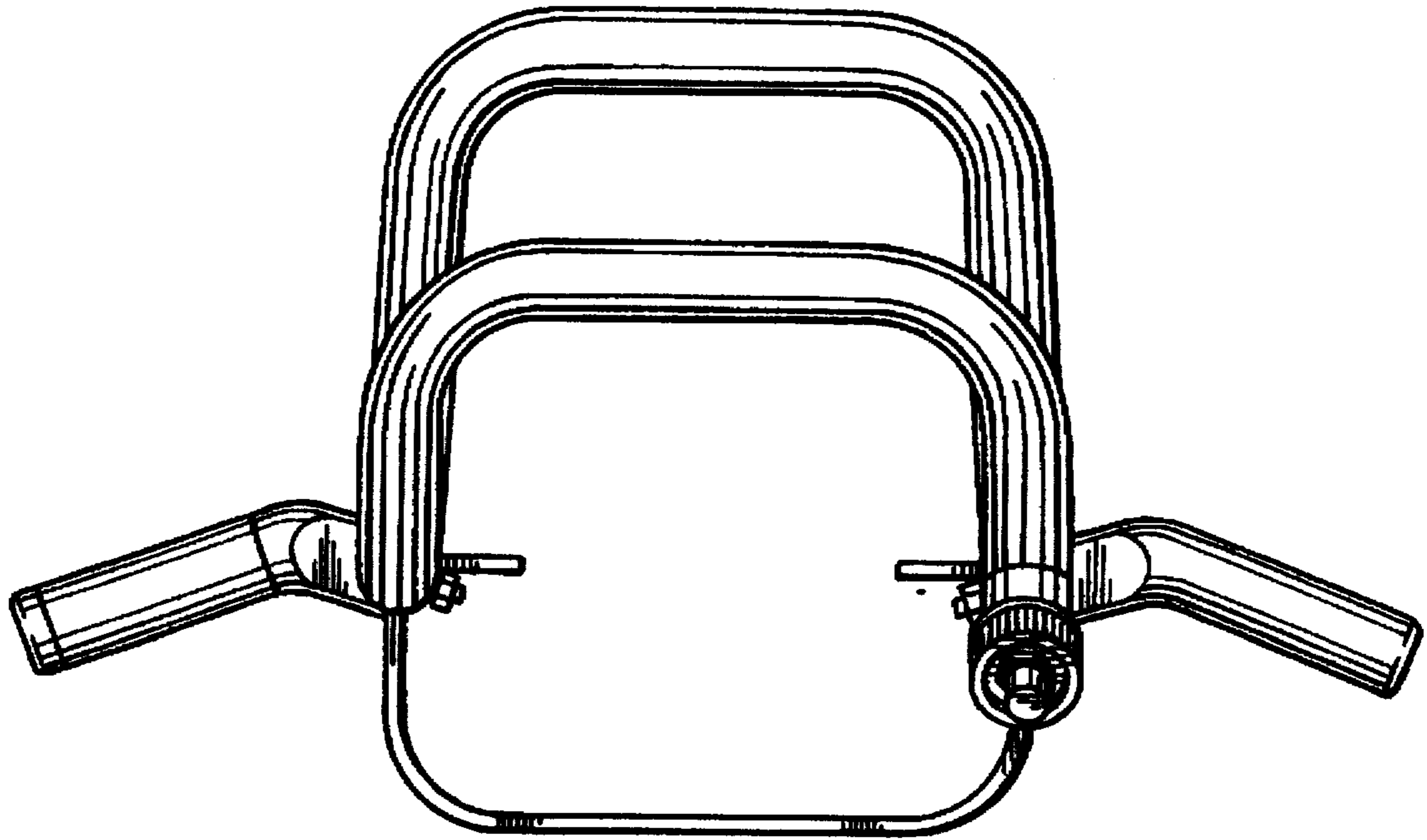


Fig. 11

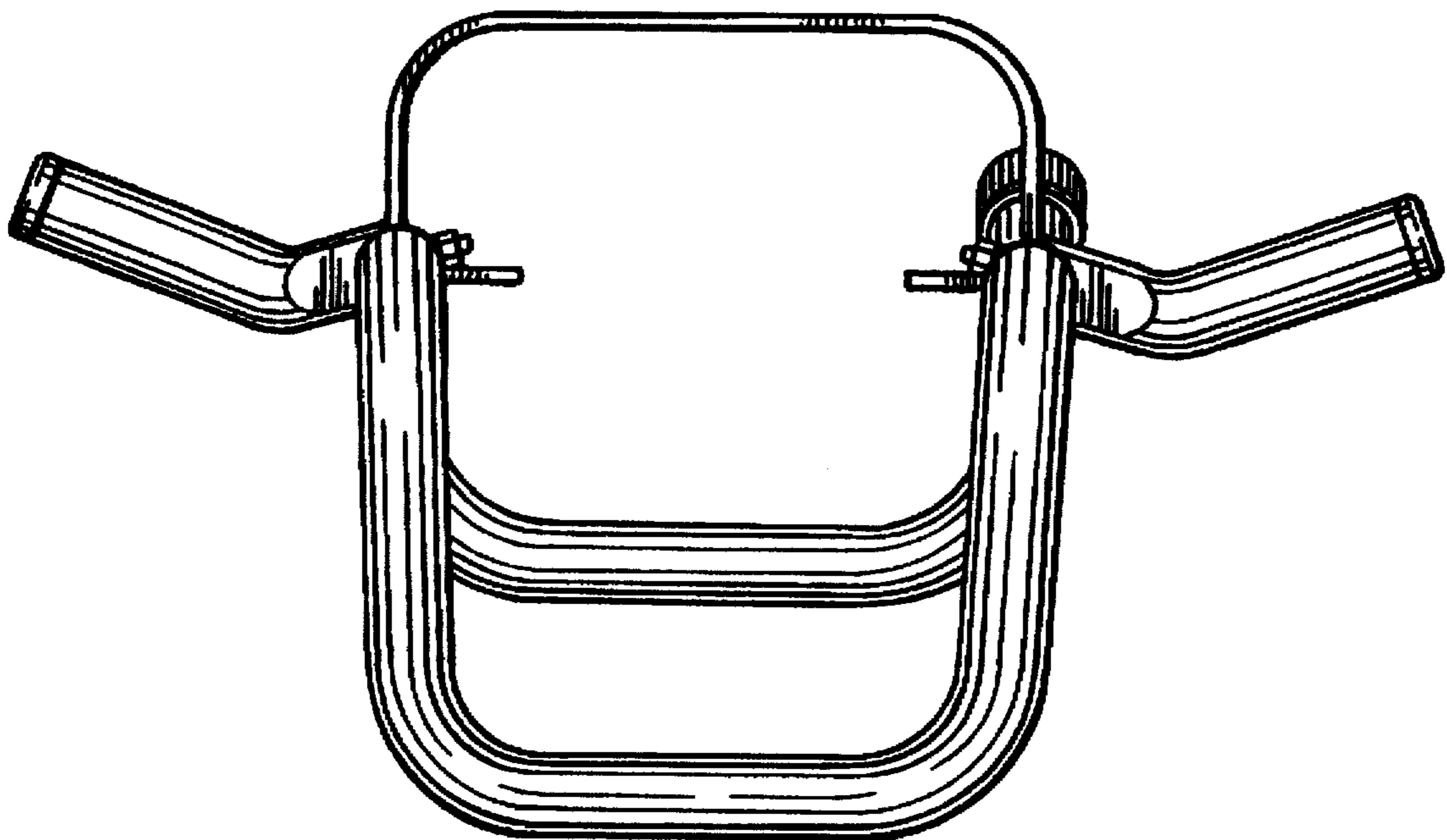


Fig. 12