



US00D386053S

United States Patent [19]

James

[11] Patent Number: Des. 386,053

[45] Date of Patent: **Nov. 11, 1997

[54] **GRIPPING END OF A HAND-HELD GRIPPING EXTENSION DEVICE**

5,154,465 10/1992 Pakosh 294/19.1
5,192,104 3/1993 Lin 294/19.1

[75] Inventor: **Gavin Hugh James**, Ledbury, Great Britain

Primary Examiner—Philip S. Hyder
Attorney, Agent, or Firm—Collard & Roe, P.C.

[73] Assignee: **The Helping Hand Company (Ledbury) Limited**, Gloucester, Great Britain

[57] **CLAIM**

The ornamental design for a gripping end of a hand-held gripping extension device, as shown and described.

[**] Term: **14 Years**

DESCRIPTION

[21] Appl. No.: **49,935**

FIG. 1 is a left-side view of the design for a gripping end of a hand-held gripping extension device;

[22] Filed: **Feb. 5, 1996**

FIG. 2 is a right-side view of the design for a gripping end of a hand-held gripping extension device;

Related U.S. Application Data

[63] Continuation-in-part of Ser. No. 25,676, Jul. 8, 1994, abandoned.

FIG. 3 is a top view of the design for a gripping end of a hand-held gripping extension device;

[51] **LOC (6) Cl.** **08-05**

FIG. 4 is a bottom view of the design for a gripping end of a hand-held gripping extension device;

[52] **U.S. Cl.** **D8/51**

FIG. 5 is a front-end view of the design for a gripping end of a hand-held gripping extension device;

[58] **Field of Search** **D8/51, 52, 14, D8/107; 294/3, 11, 19.1, 50.9, 104, 23, 28**

FIG. 6 is a back-end view of the design for a gripping end of a hand-held gripping extension device;

[56] References Cited

U.S. PATENT DOCUMENTS

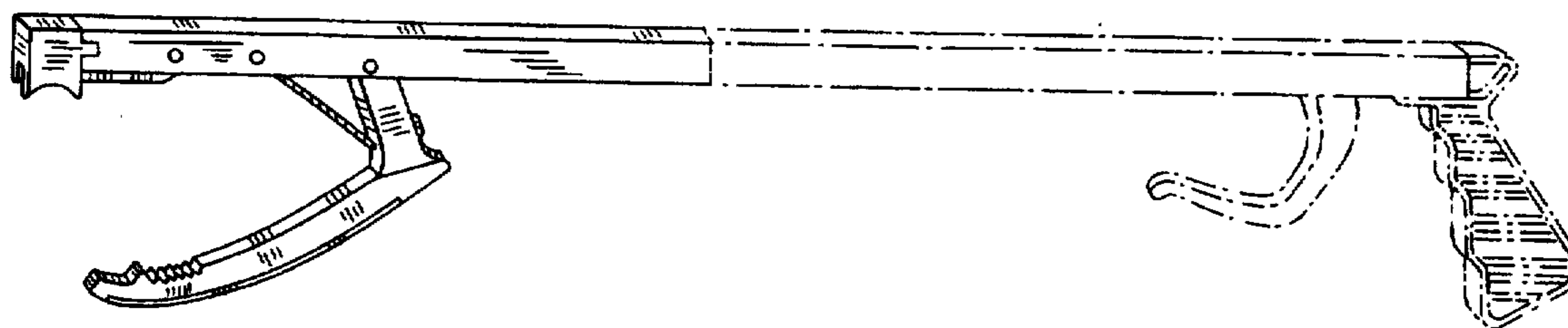
D. 333,075	2/1993	Incantalupo et al.	D8/51
D. 358,970	6/1995	Mayoue	D8/51
4,037,868	7/1977	Baker	294/19.1
4,039,216	8/1977	Soos	294/19.1
4,160,563	7/1979	Whitney	294/19.1
4,615,555	10/1986	Bateham	294/19.1
4,647,094	3/1987	Bergkvist et al.	294/19.1

FIG. 7 is a front left-side perspective view of the design for a gripping end of a hand-held gripping extension device; and,

FIG. 8 is a front left-side perspective view of a second embodiment of the design for a gripping end of a hand-held gripping extension device the front right-side perspective view being a mirror image of FIG. 8.

The broken line portions of the drawings are for illustrative purposes only and form no part of the claimed design.

1 Claim, 2 Drawing Sheets



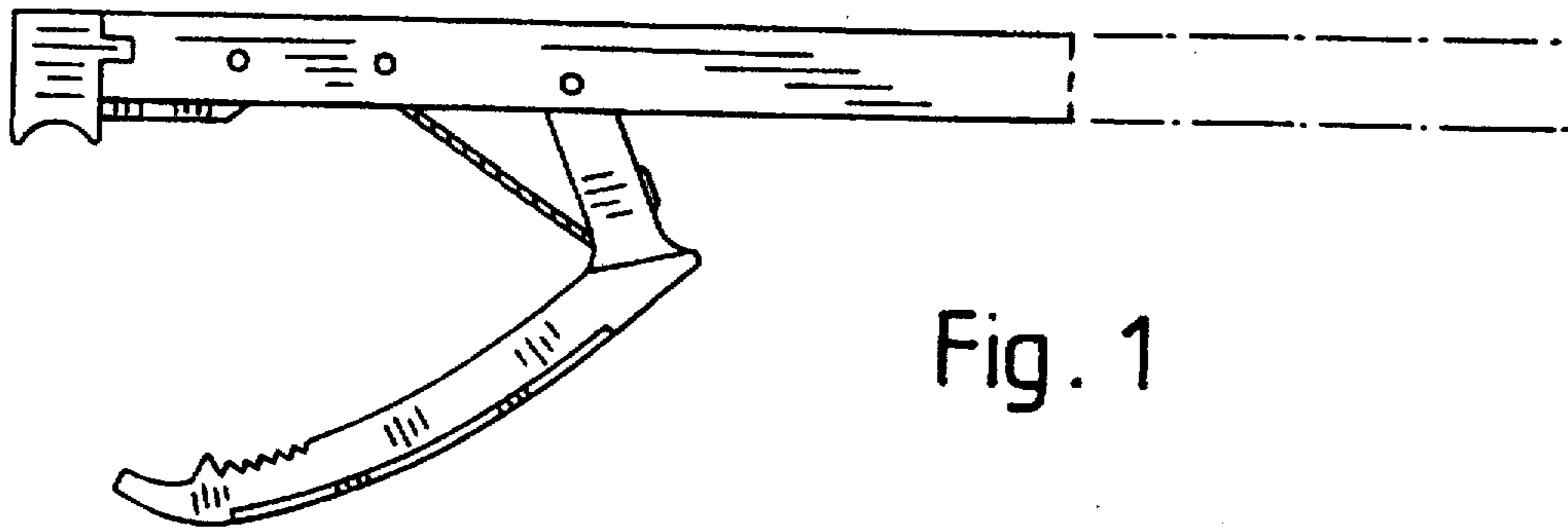


Fig. 1

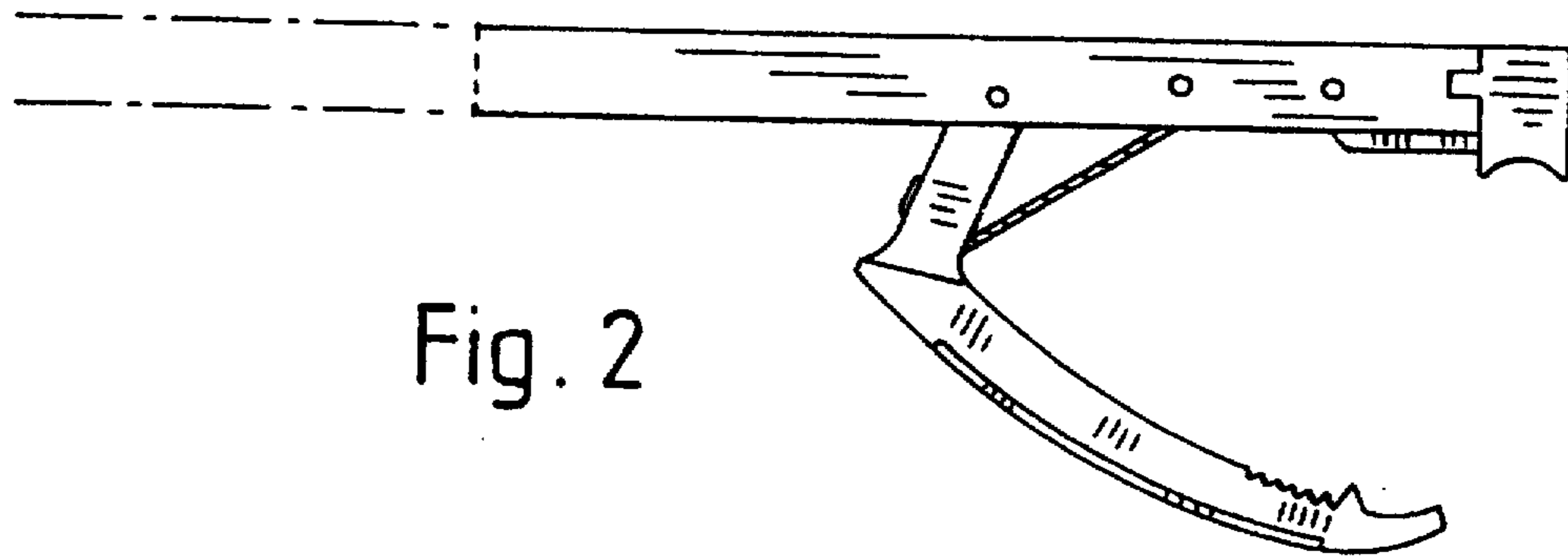


Fig. 2

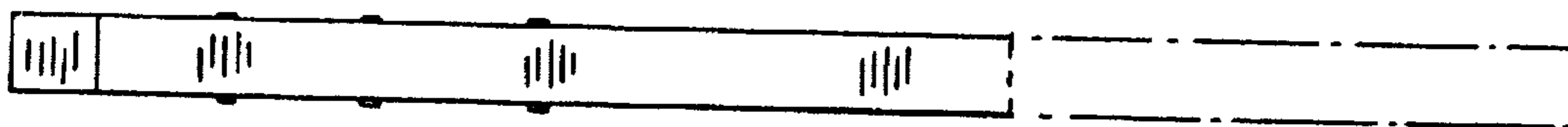


Fig. 3

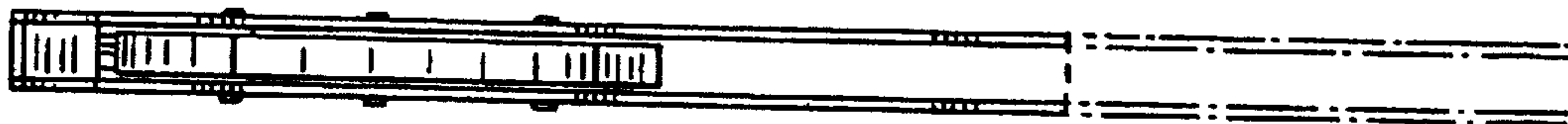


Fig. 4

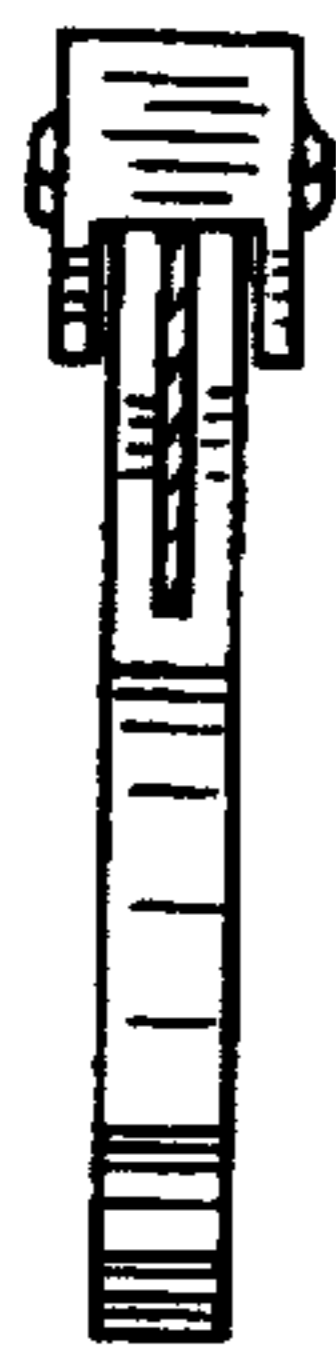


Fig. 5

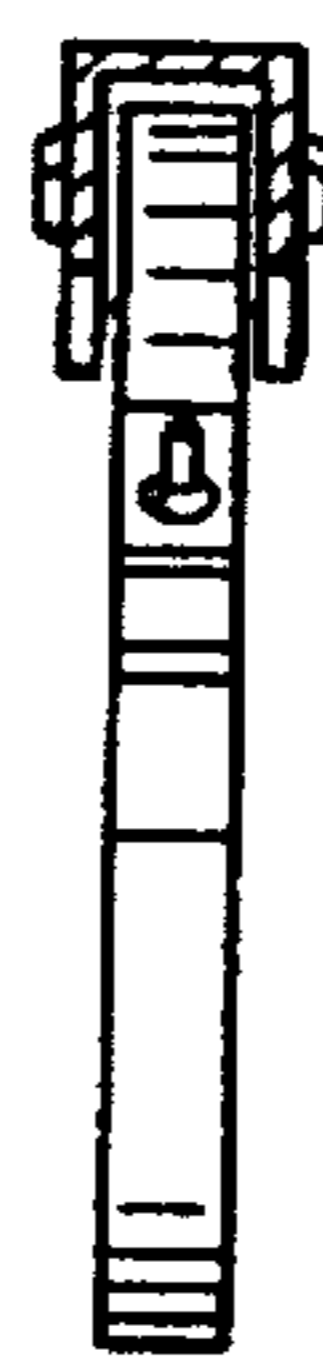


Fig. 6

