



US00D386052S

United States Patent [19]

Nasir

[11] Patent Number: Des. 386,052

[45] Date of Patent: **Nov. 11, 1997

[54] **FLEXIBLE CONDUIT INSERT PULLER**

[76] Inventor: **Freddie E. Nasir**, 304 Magellan Dr.,
Pacifica, Calif. 94044

[**] Term: **14 Years**

[21] Appl. No.: **58,649**

[22] Filed: **Aug. 19, 1996**

[51] LOC (6) Cl. **08-05**

[52] U.S. Cl. **D8/14**

[58] Field of Search D8/14, 44; D13/153,
D13/154, 156; D15/138; D32/14; 254/134.3 FT;
403/301; 294/1.1

[56] **References Cited**

U.S. PATENT DOCUMENTS

D. 202,107	8/1965	Moldt	D13/156
D. 352,431	11/1994	Basset	D8/14
4,684,161	8/1987	Egner et al.	294/1.1
5,067,843	11/1991	Nova	254/134.3 FT

Primary Examiner—Prabhakah G. Deshmukh
Assistant Examiner—Richelle Shelton

[57] **CLAIM**

The ornamental design for a flexible conduit insert puller, as shown and described.

DESCRIPTION

FIG. 1 is a right side view of the flexible conduit insert puller of the present invention;

FIG. 2 is a left side view of the flexible conduit insert puller of FIG. 1;

FIG. 3 is a front view of the flexible conduit insert puller of FIG. 1;

FIG. 4 is a rear view of the flexible conduit insert puller of FIG. 1;

FIG. 5 is a top view of the flexible conduit insert puller of FIG. 1;

FIG. 6 is a bottom view of the flexible conduit insert puller of FIG. 1;

FIG. 7 is a cross sectional view along line 7—7 of FIG. 5 of the flexible conduit insert puller of FIG. 1; and,

FIG. 8 is an assembled view of the flexible conduit insert puller of FIG. 1.

The components of the design in FIGS. 1-7 are shown separately for ease of illustration.

The broken line showing of the environment of the article in FIG. 8 is for illustrative purposes only and forms no part of the claimed design.

1 Claim, 3 Drawing Sheets

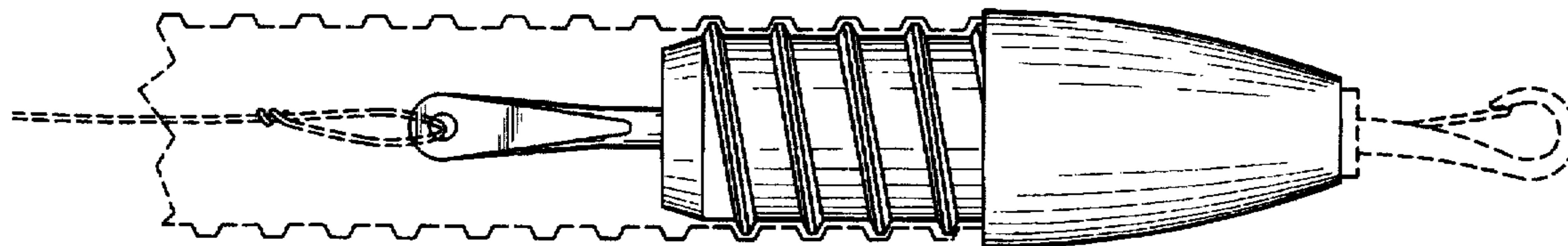


FIG. 1

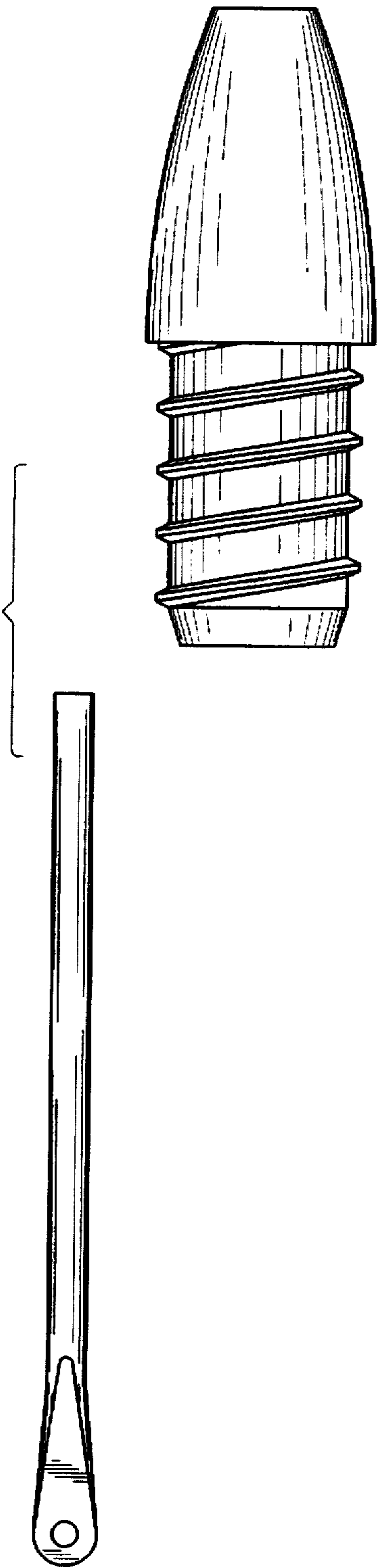


FIG. 2

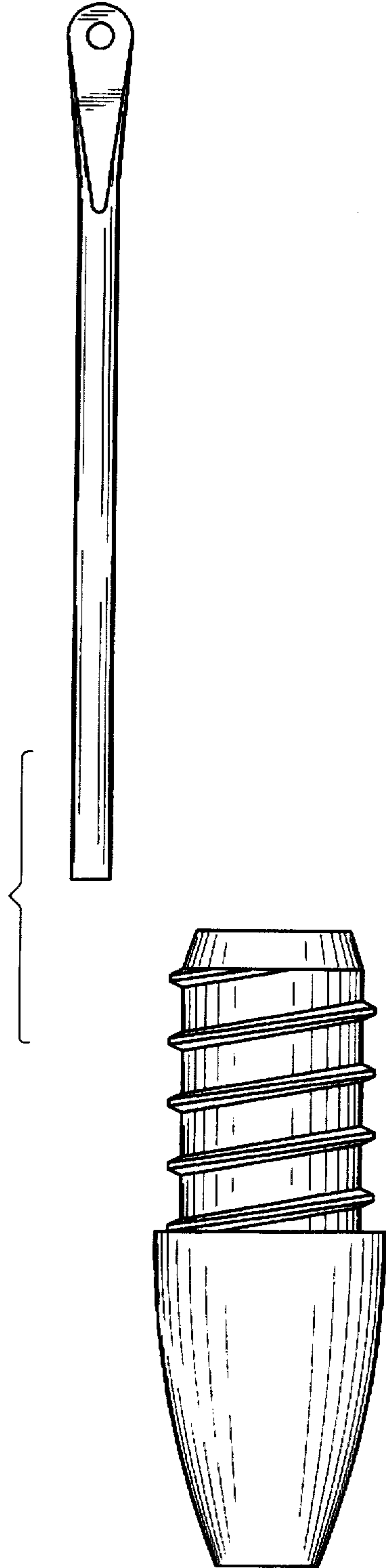


FIG. 3

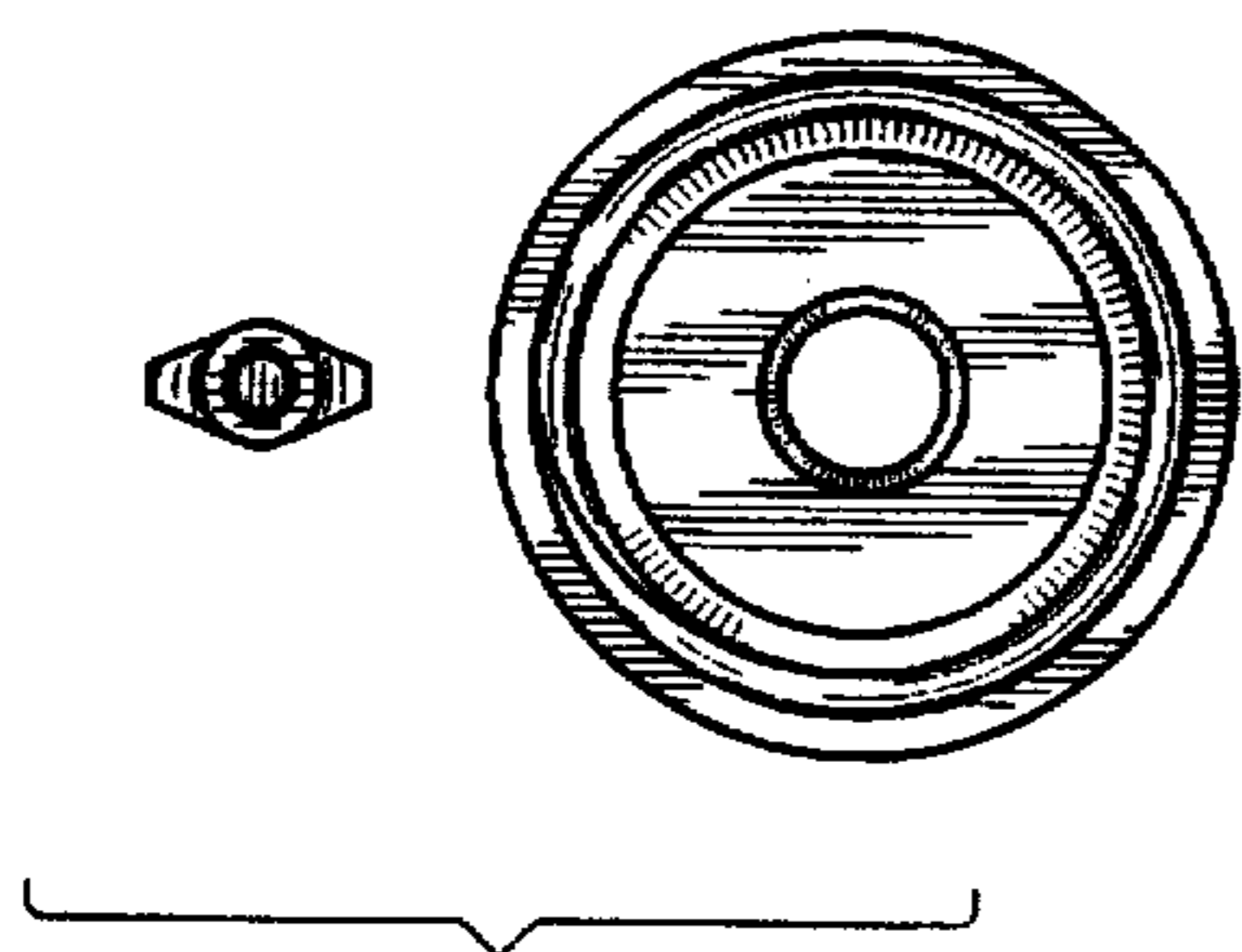


FIG. 4

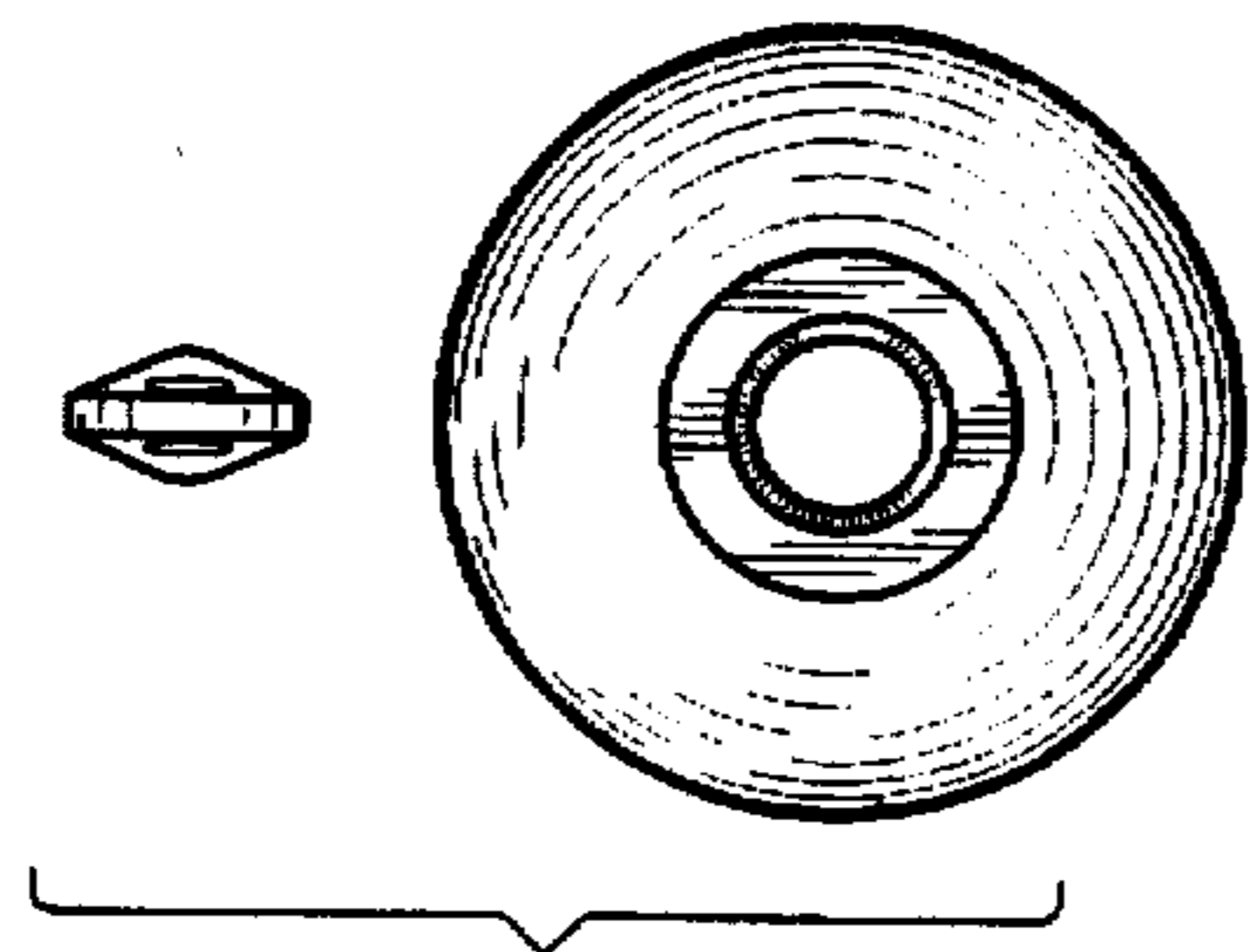


FIG. 5

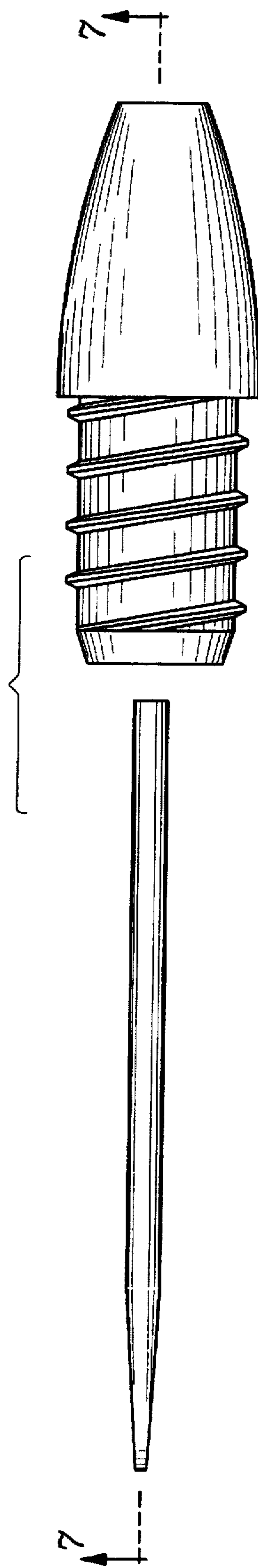


FIG. 6

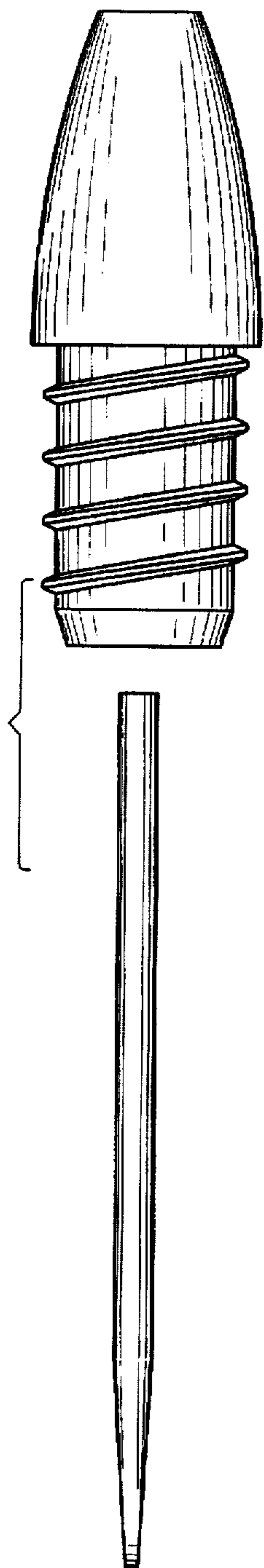


FIG. 7

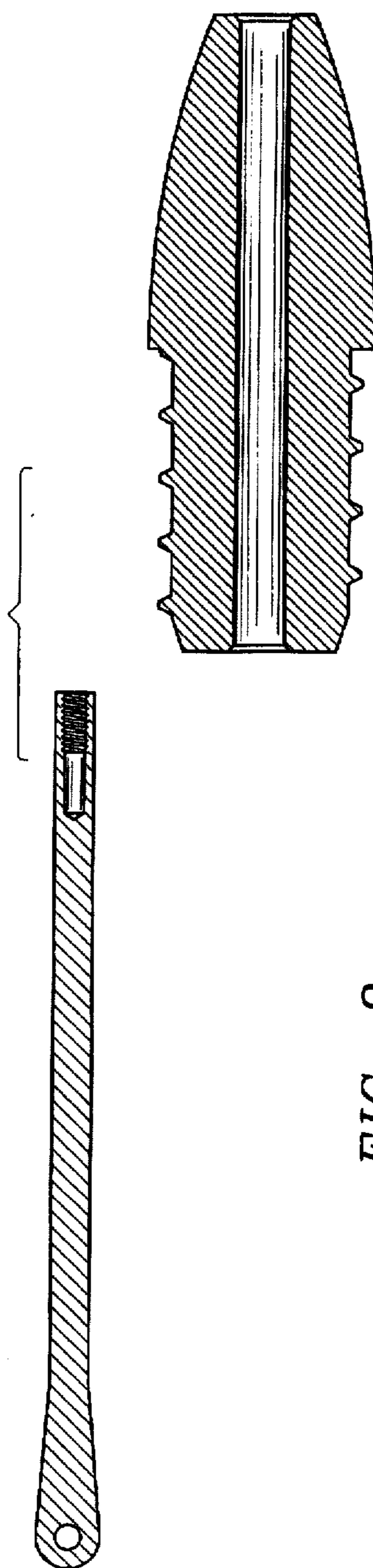


FIG. 8

