



US00D386051S

United States Patent [19]
Cuzzi

[11] **Patent Number: Des. 386,051**
[45] **Date of Patent: **Nov. 11, 1997**

[54] **GARDEN TOOL**

[76] **Inventor: Mario Cuzzi, 12 Bunnell Pl., West Babylon, N.Y. 11704**

[**] **Term: 14 Years**

[21] **Appl. No.: 58,892**

[22] **Filed: Aug. 27, 1996**

[51] **LOC (6) Cl. 08-01**

[52] **U.S. Cl. D8/6**

[58] **Field of Search D8/6, 7, 9, 11;
172/371-372, 375-376**

[56] **References Cited**

U.S. PATENT DOCUMENTS

D. 27,173 6/1897 Steel D8/11
D. 166,332 4/1952 Melich et al. D8/6

D. 269,402 6/1983 Wayman D8/6 X
4,790,585 12/1988 Vernon et al. 56/400.04 X

Primary Examiner—Holly Baynham
Attorney, Agent, or Firm—Harold H. Dutton, Jr.

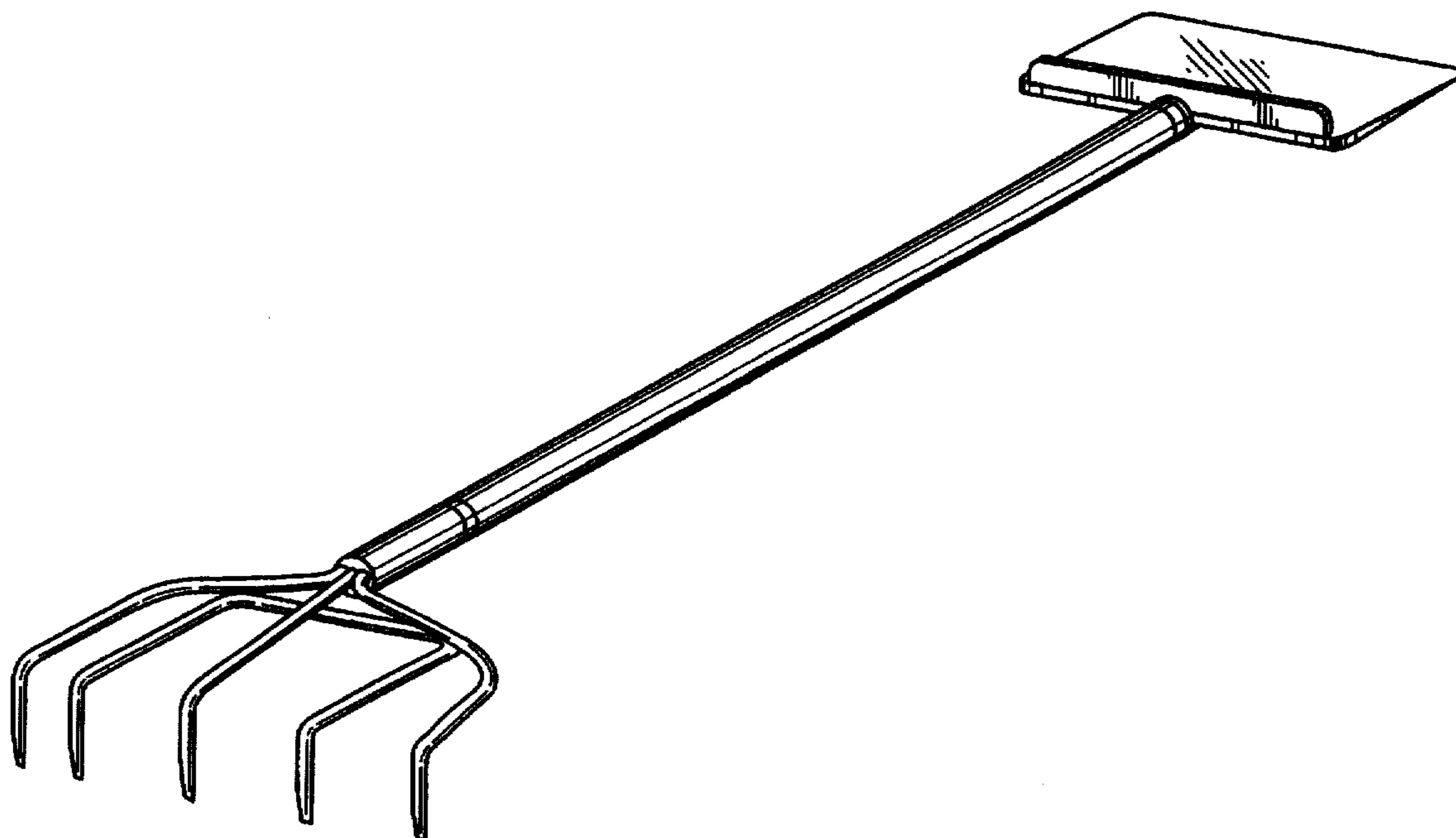
[57] **CLAIM**

The ornamental design for a garden tool, as shown.

DESCRIPTION

FIG. 1 is a perspective view of a garden tool showing my new design;
FIG. 2 is a bottom view thereof;
FIG. 3 is a top view thereof;
FIG. 4 is a right side view thereof;
FIG. 5 is a left view thereof;
FIG. 6 is a front view thereof; and,
FIG. 7 is a rear view thereof.

1 Claim, 4 Drawing Sheets



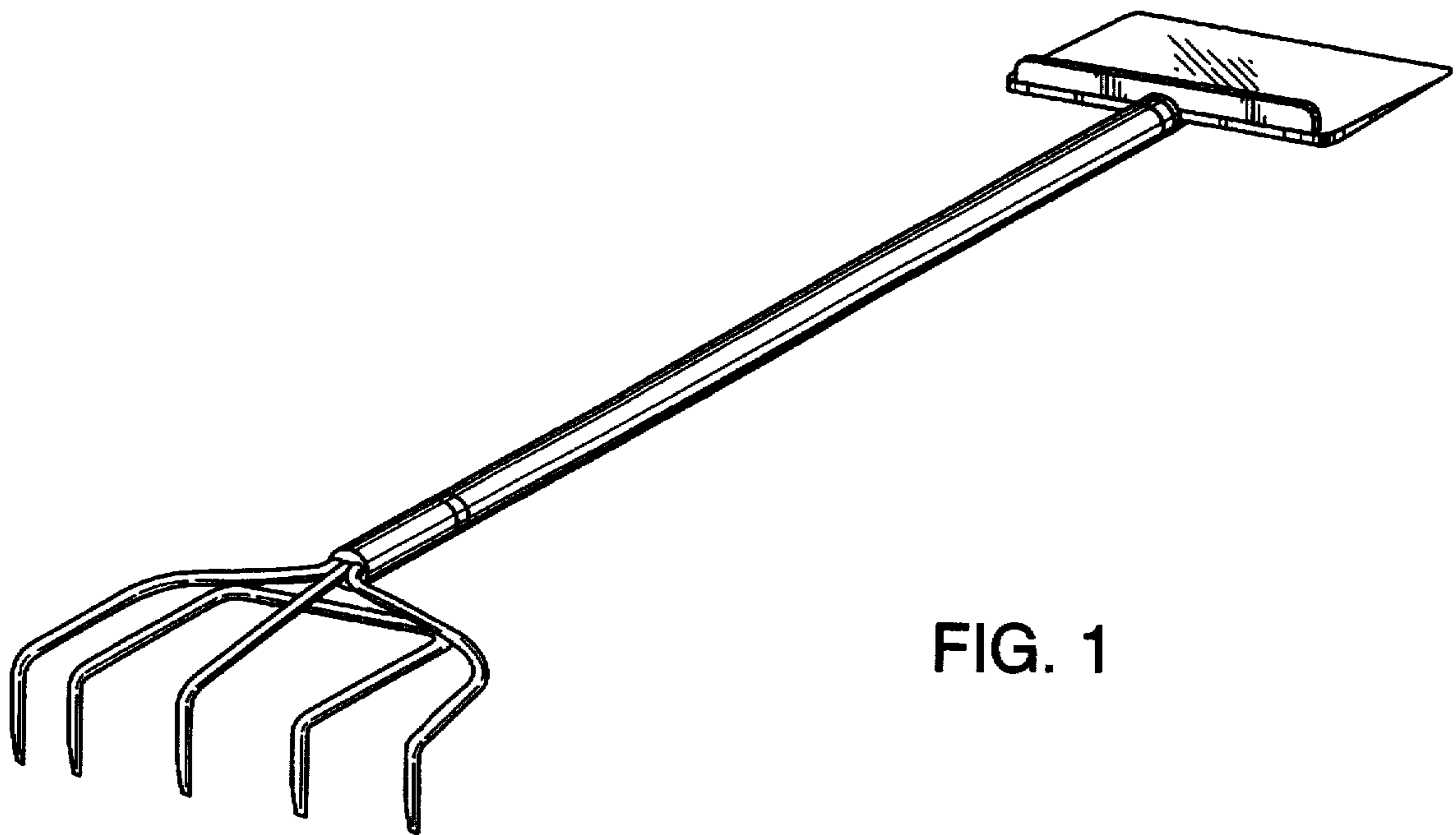


FIG. 1

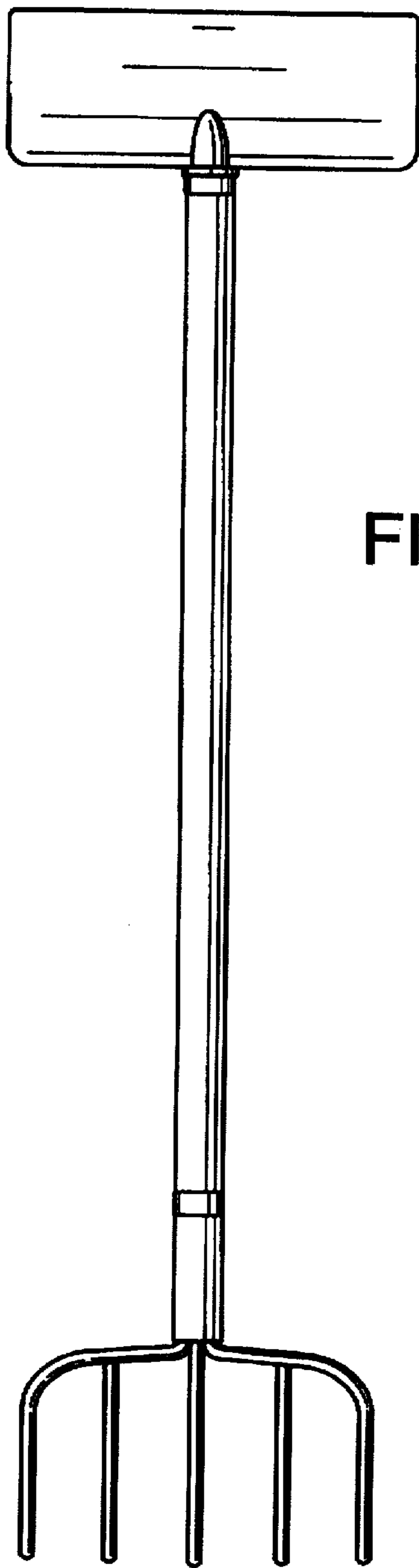


FIG. 2

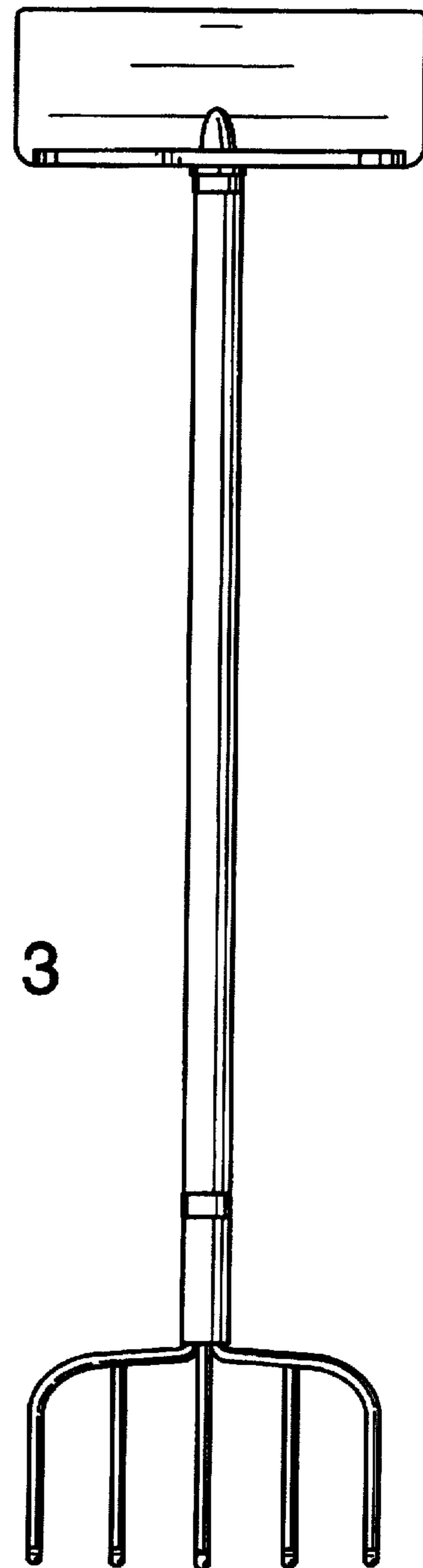


FIG. 3

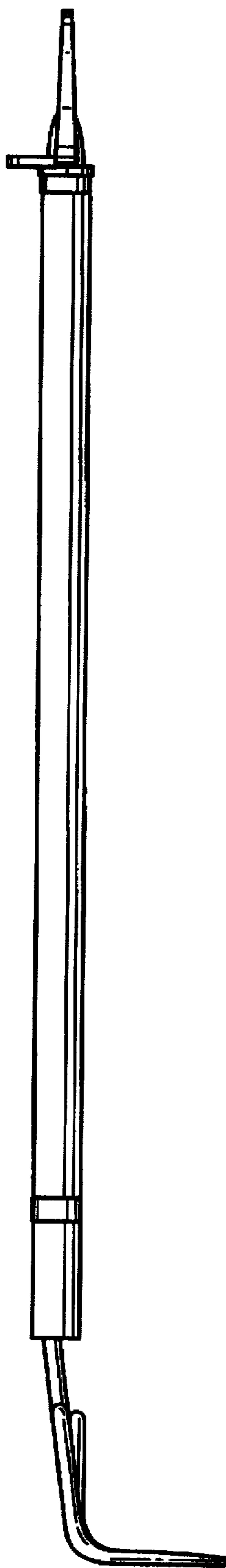


FIG. 4

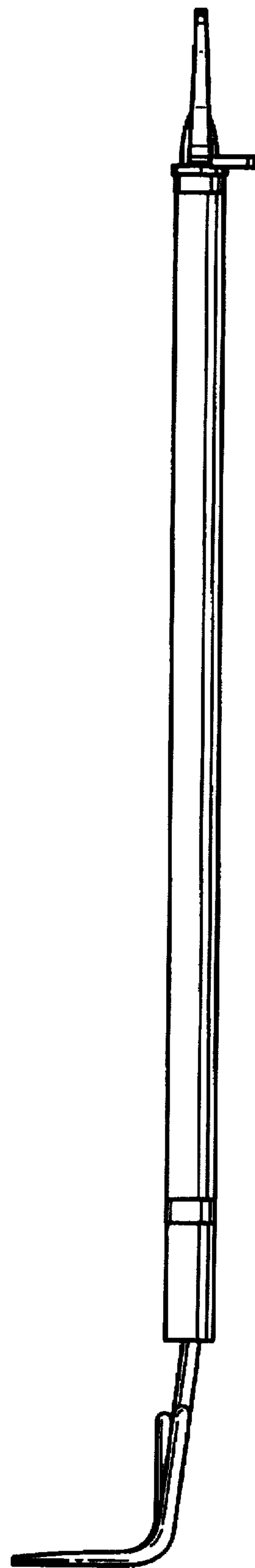


FIG. 5

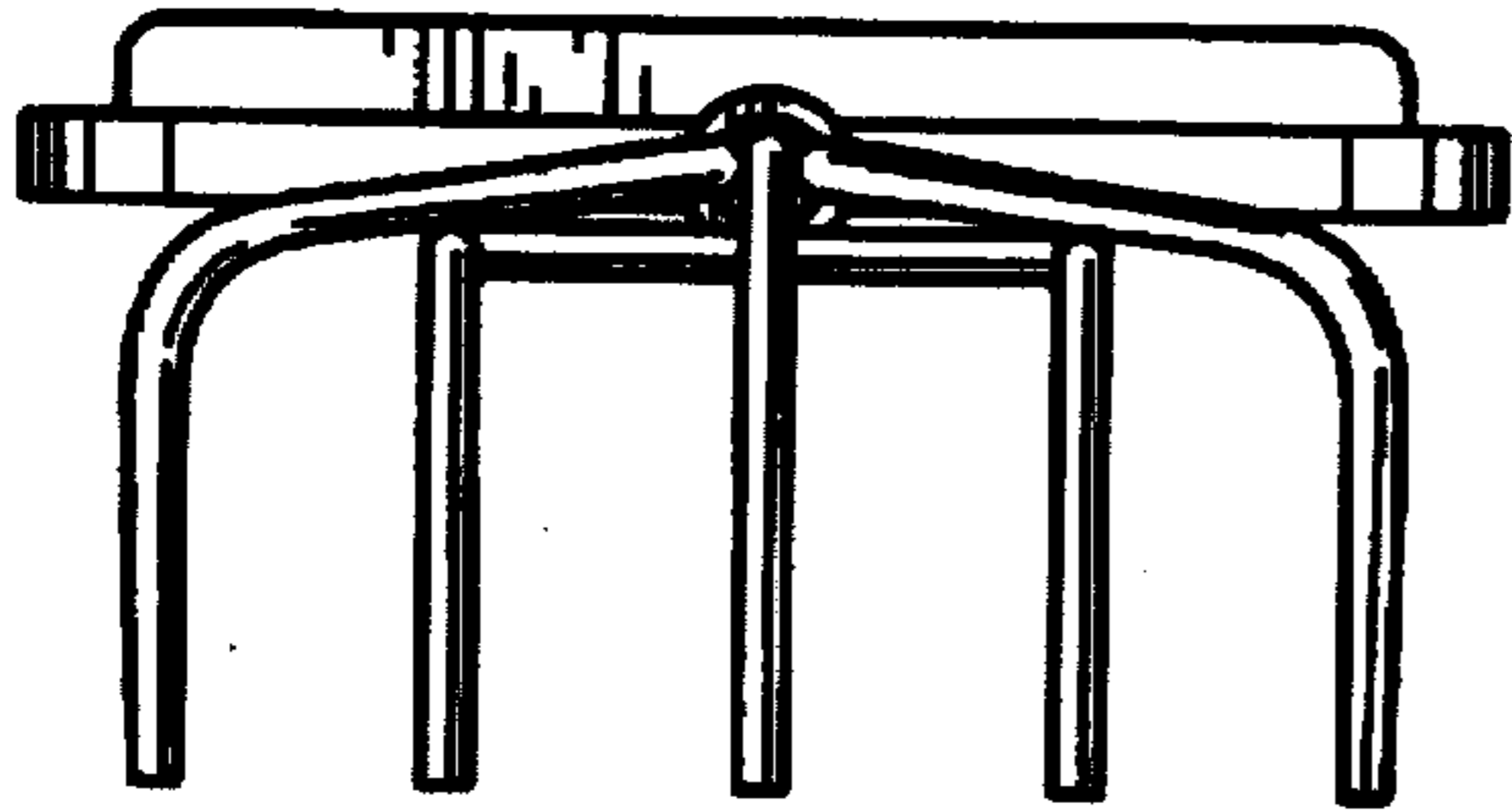


FIG. 6

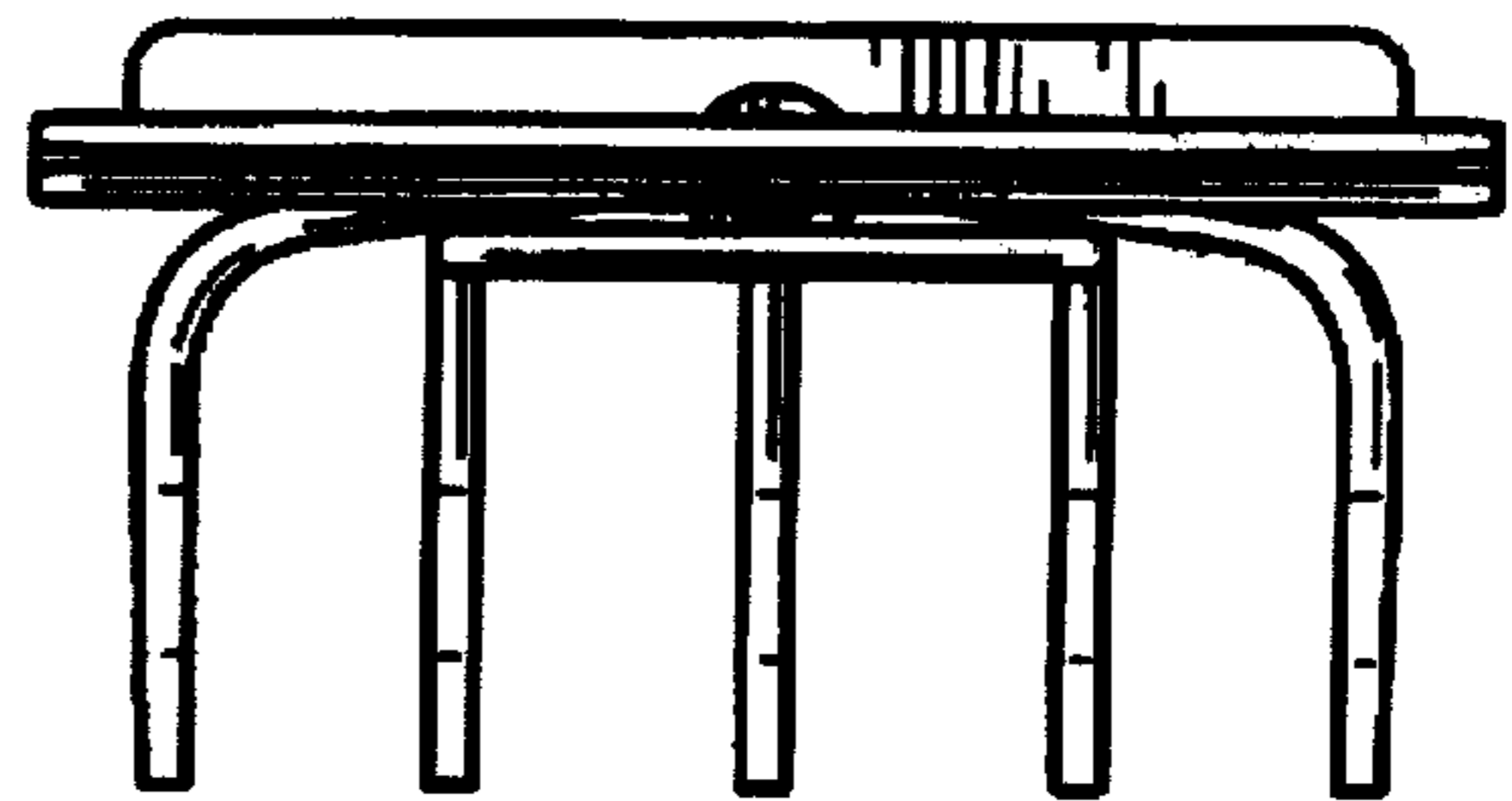


FIG. 7