



US00D386046S

United States Patent [19]
Brückner

[11] **Patent Number: Des. 386,046**

[45] **Date of Patent: **Nov. 11, 1997**

[54] **SET OF NESTED CUPS**
[75] **Inventor: Andreas Brückner, Stuttgart, Germany**
[73] **Assignee: Dart Industries Inc., Orlando, Fla.**
[**] **Term: 14 Years**
[21] **Appl. No.: 53,934**
[22] **Filed: Jun. 7, 1996**

3,684,123 8/1972 Bridges D7/511 X
4,928,848 5/1990 Ballway D7/511 X
5,029,720 7/1991 Bridges D7/507 X

FOREIGN PATENT DOCUMENTS

50413 10/1982 Canada D7/510
291930 6/1928 United Kingdom .
WO 917709 8/1994 WIPO .

Primary Examiner—M. N. Pandozzi
Attorney, Agent, or Firm—John A. Doninger

[51] **LOC (6) Cl. 07-01**
[52] **U.S. Cl. D7/507; D7/505; D7/536**
[58] **Field of Search D7/619, 622, 624,
D7/536, 533, 505, 507, 509, 511, 510;
220/23.83, 444**

[57] **CLAIM**

The ornamental design for set of nested cups, as shown.

DESCRIPTION

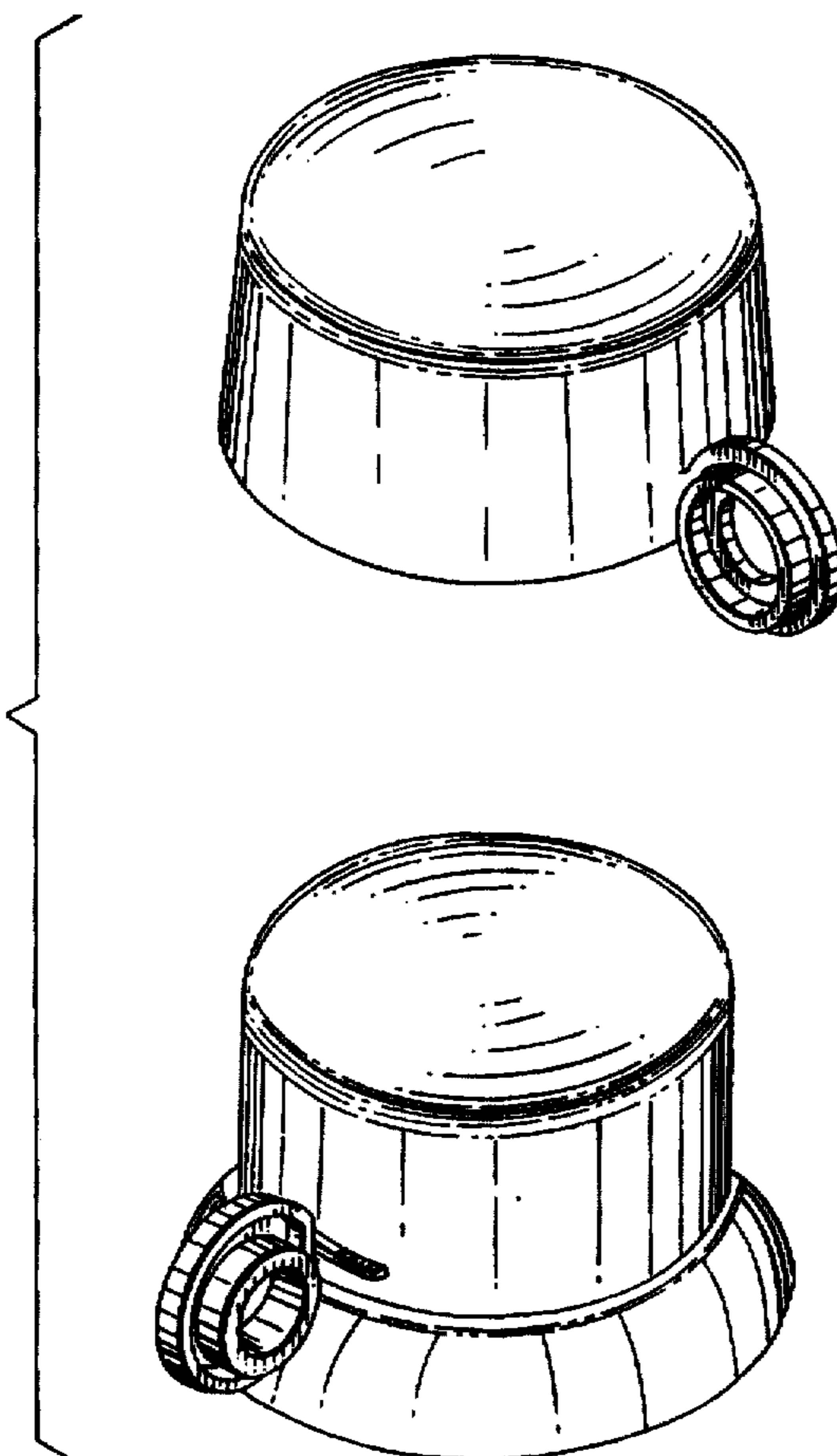
FIG. 1 is a top, side and rear perspective view of set of nested cups showing my new design;
FIG. 2 is a top plan view thereof;
FIG. 3 is a bottom plan view thereof;
FIG. 4 is a left side view thereof;
FIG. 5 is a right side view thereof;
FIG. 6 is a rear view thereof;
FIG. 7 is a front view thereof; and,
FIG. 8 is an exploded perspective view thereof.

[56] **References Cited**

U.S. PATENT DOCUMENTS

D. 203,615 2/1966 Metzler et al. D7/672
D. 289,955 5/1987 Buist D7/507
D. 290,325 6/1987 Ritman D7/536
D. 317,697 6/1991 Lage D7/624
1,937,939 12/1933 Behrens D7/505 X
2,543,581 2/1951 Koski .
3,257,024 6/1966 Stimchuk D7/505 X
3,463,140 8/1969 Rollor, Jr. D7/536 X

1 Claim, 3 Drawing Sheets



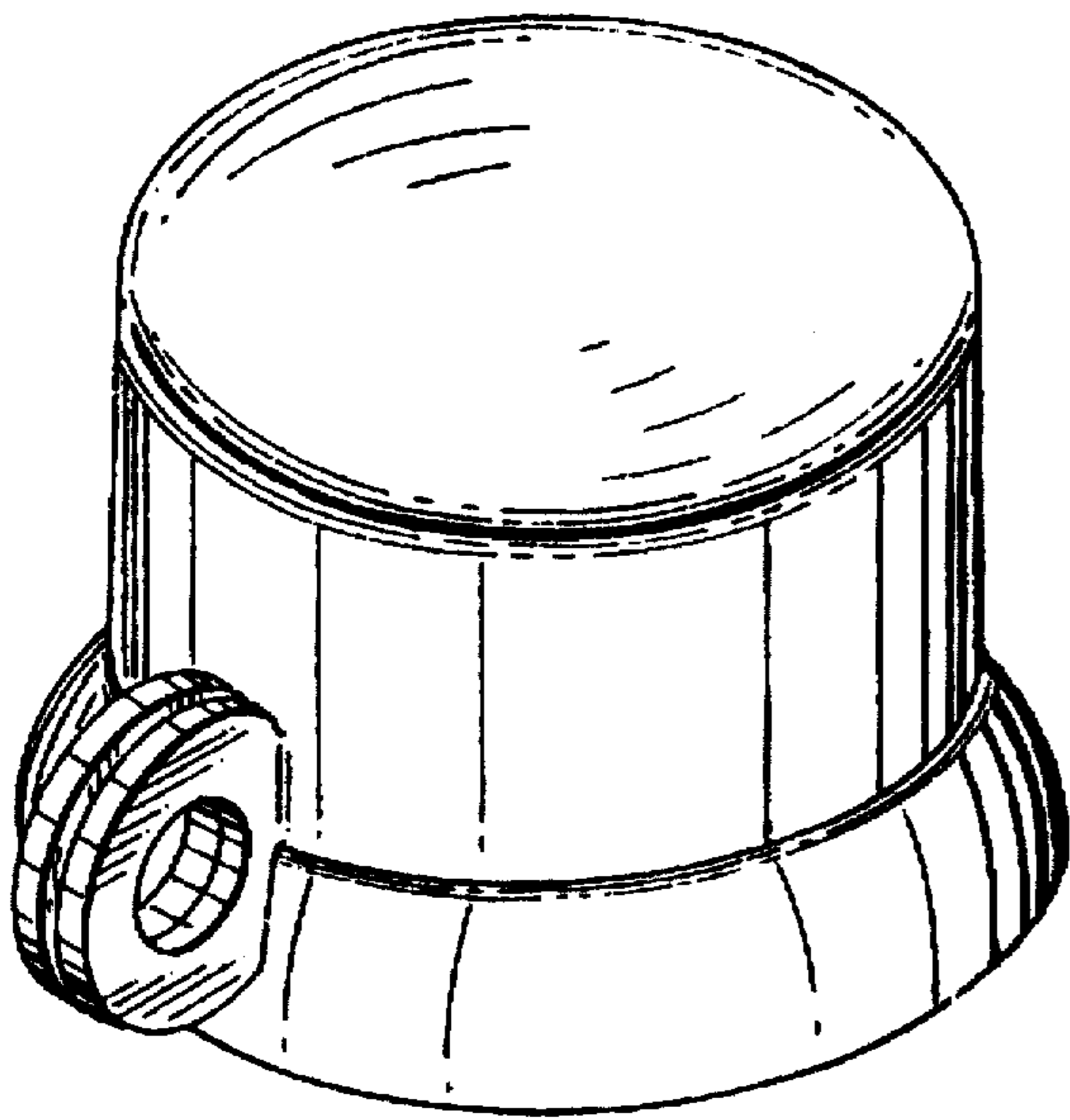


FIG. 1

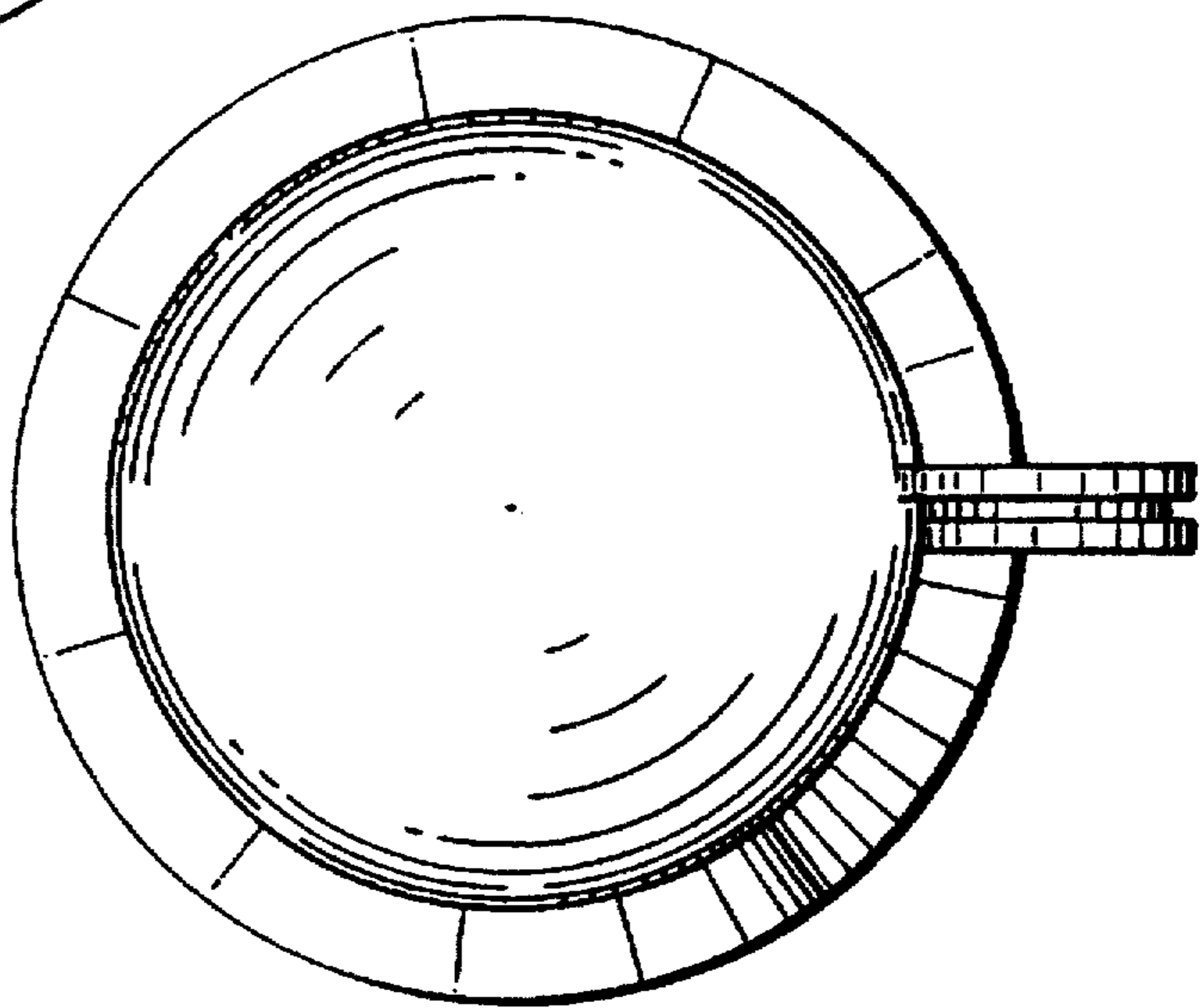


FIG. 2

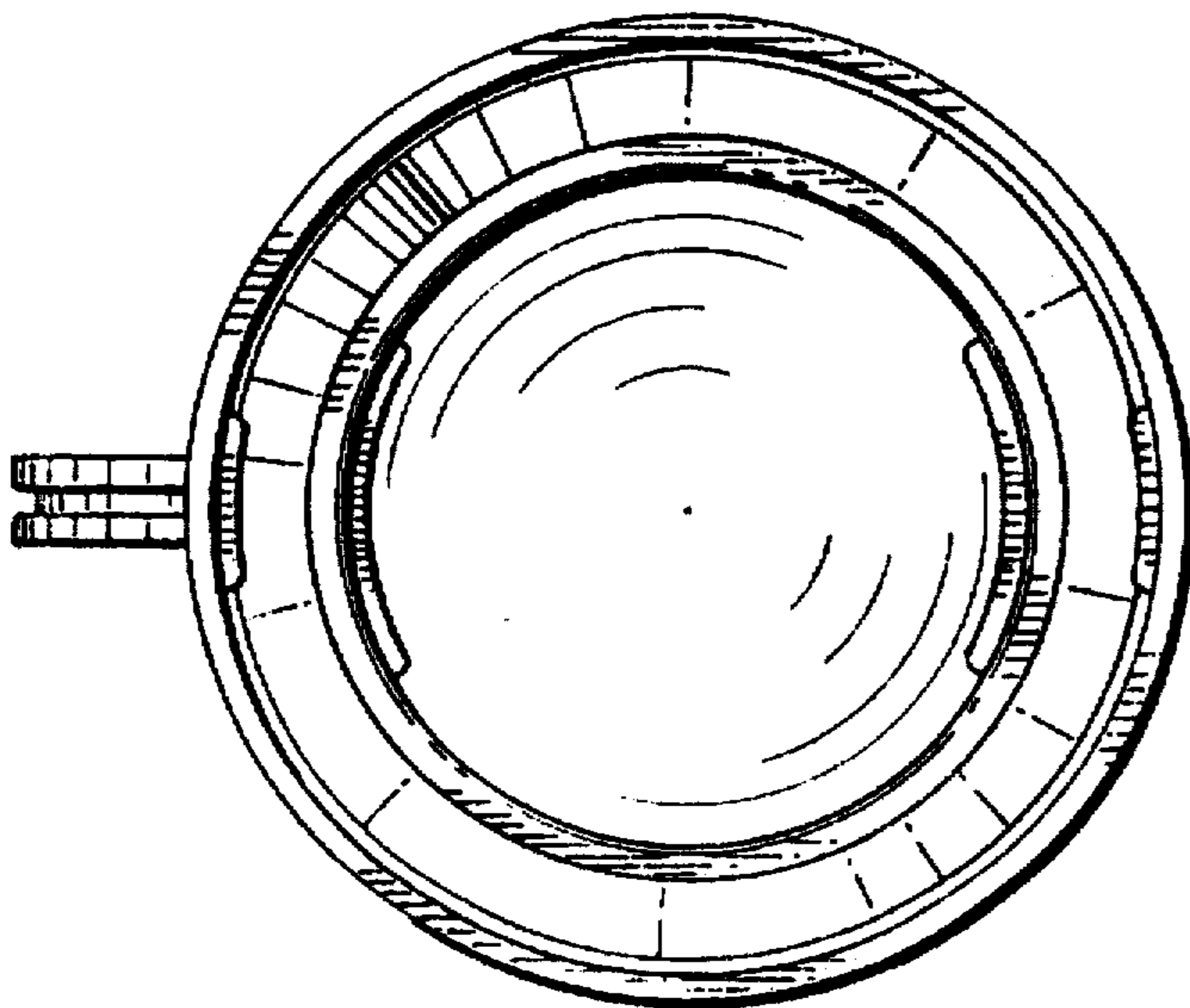


FIG. 3

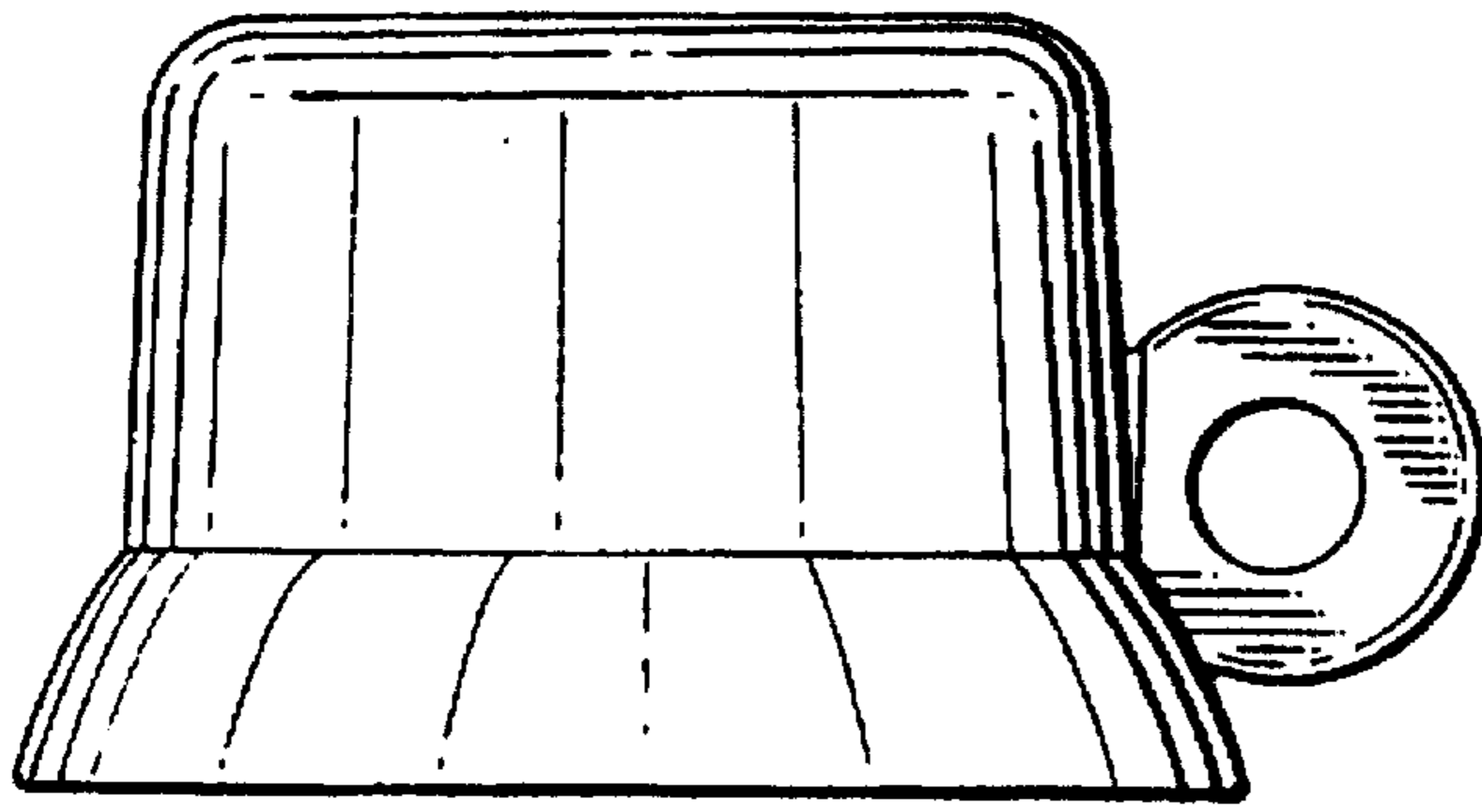


FIG. 4

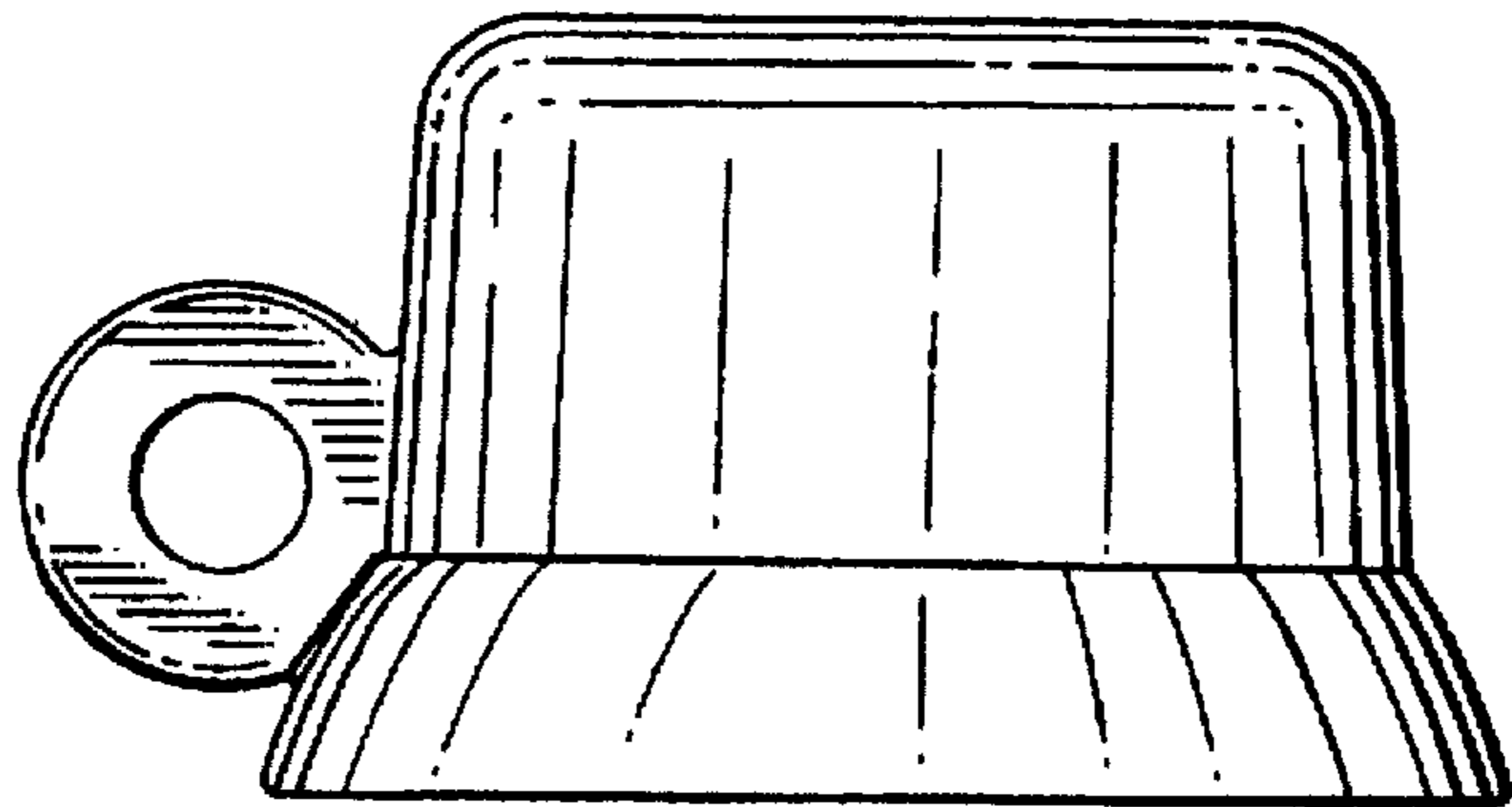


FIG. 5

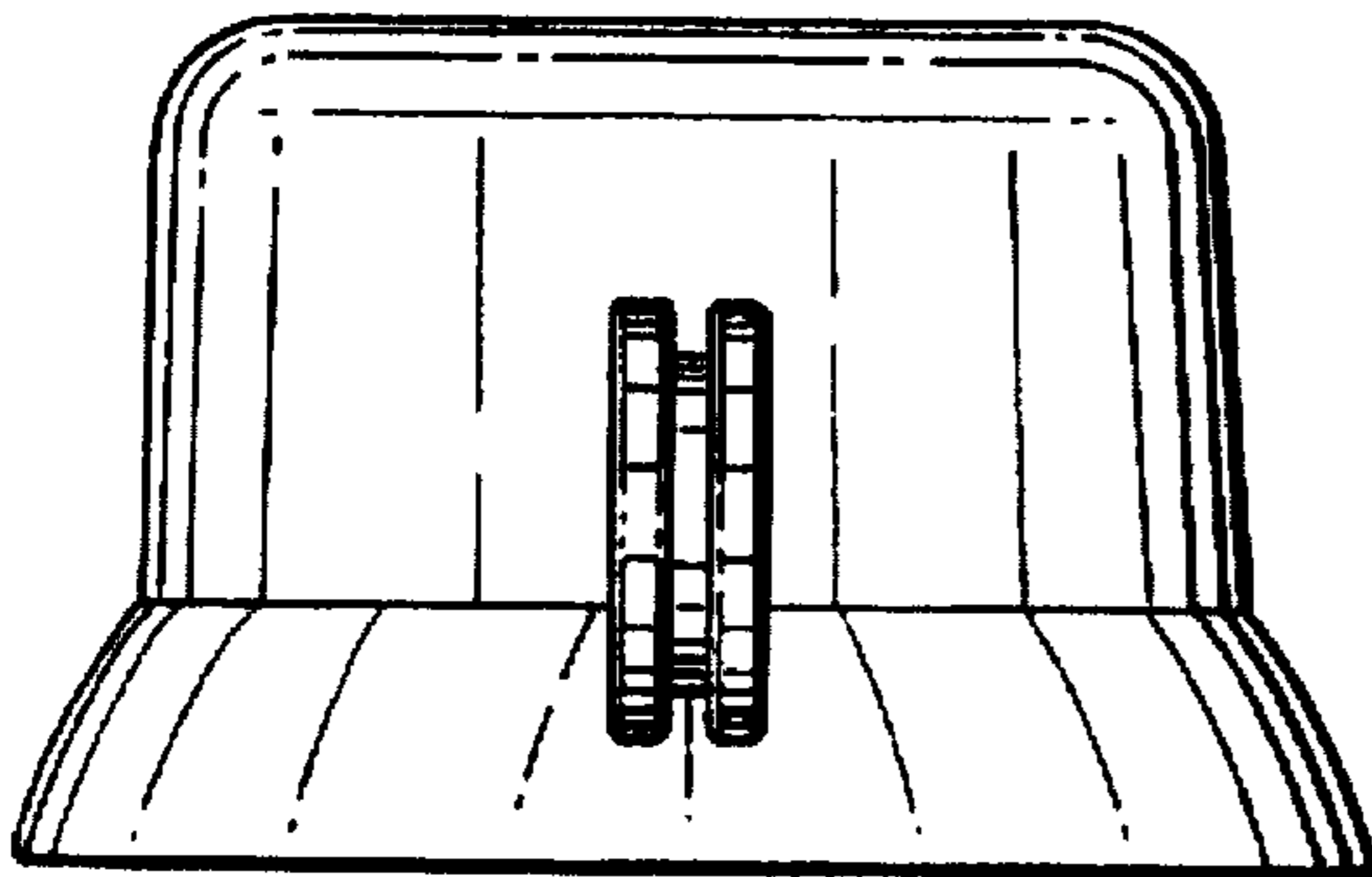


FIG. 6

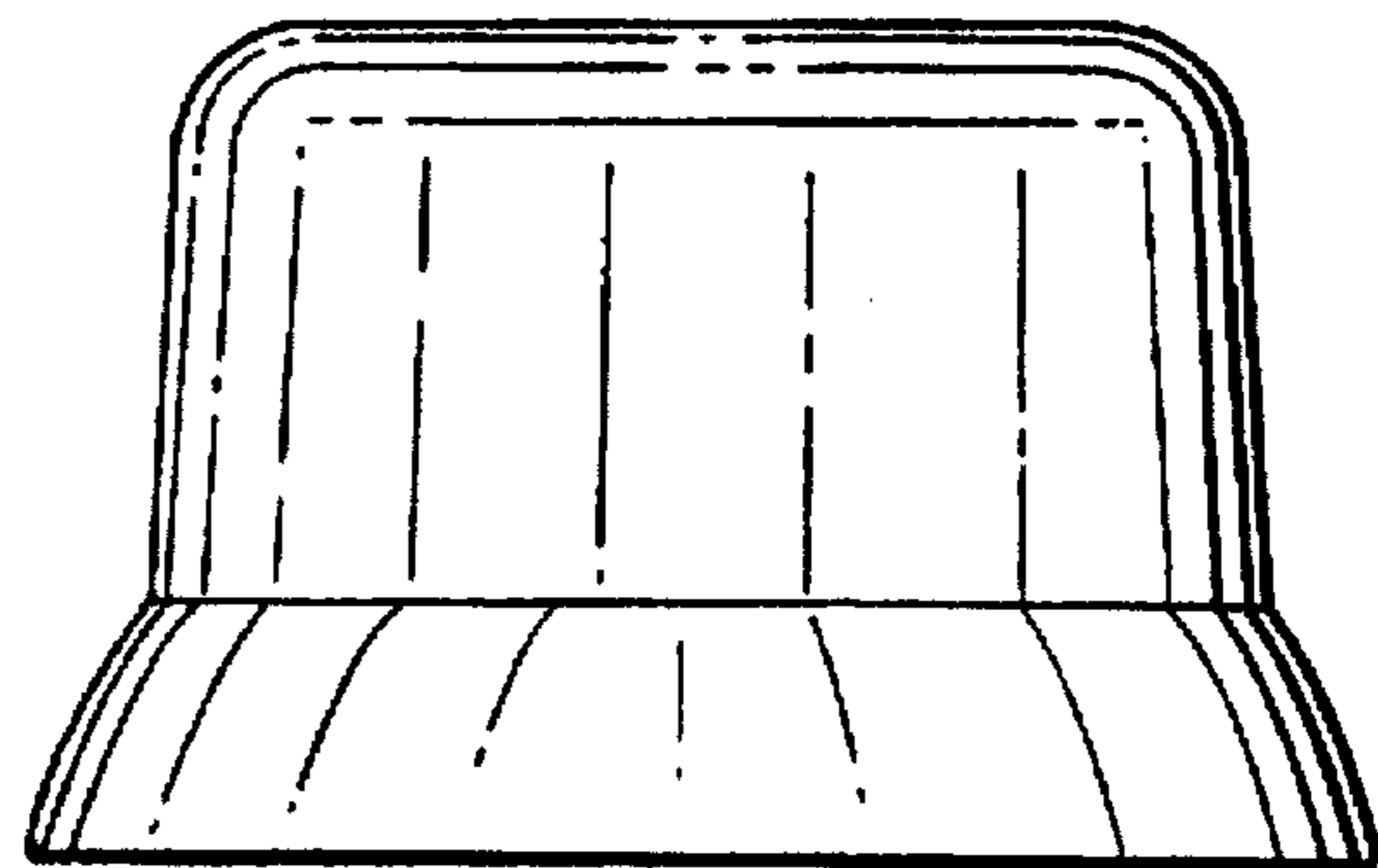


FIG. 7

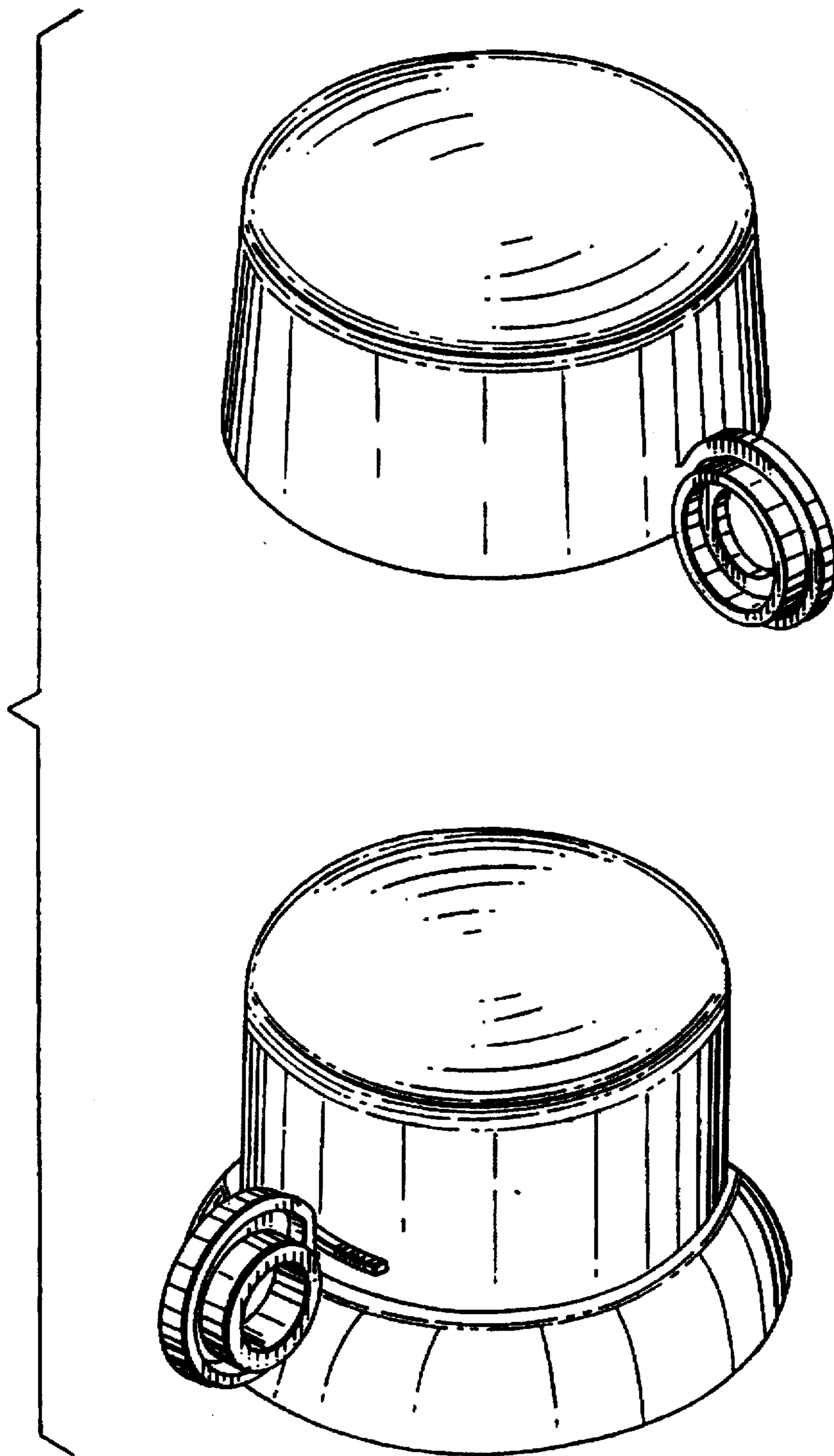


FIG. 8