



US00D386041S

United States Patent [19]
Tanner et al.

[11] **Patent Number: Des. 386,041**
[45] **Date of Patent: **Nov. 11, 1997**

- [54] **WATER PURIFICATION PITCHER**
- [75] **Inventors: John D. Tanner; David J. Emmons,**
both of Plymouth; **Eric J. Mueller;**
Paul D. Rothstein, both of
Minneapolis; **Alan L. Carlson,** St.
Paul; **Shaohui Qiu,** Minneapolis, all of
Minn.
- [73] **Assignee: Recovery Engineering, Inc.,**
Minneapolis, Minn.
- [**] **Term: 14 Years**
- [21] **Appl. No.: 53,756**
- [22] **Filed: Apr. 30, 1996**
- [51] **LOC (6) CL 07-01**
- [52] **U.S. Cl. D7/319; D7/318; D7/317**
- [58] **Field of Search D7/300, 302, 312,**
D7/316, 317, 318, 319, 320, 321, 322,
608, 600, 591, 622, 605; 220/718, 771;
222/465.1; D23/209

5,009,364 4/1991 Bolte D7/316 X
 5,190,643 3/1993 Duncan et al. .
 5,536,394 7/1996 Lund et al. .

OTHER PUBLICATIONS

Color Photos of Brita Water Filtration Pitcher undated.
 Color Photos of Brita Contour Water Filtration Pitcher undated.
 Color Photos of Brita Ultra II Water Filtration Pitcher undated.
 Color Photos of Brita Space Saver Water Filtration Pitcher undated.
 Color Photos of Solis Aquaselect Water Filtration Pitcher undated.
 Color Photos of Sears WaterWorks Water Filter Pitcher undated.

Primary Examiner—M. N. Pandozzi
Attorney, Agent, or Firm—Merchant, Gould, Smith, Edell,
 Welter & Schmidt, P.A.

[57] **CLAIM**

The ornamental design for a water purification pitcher, as shown and described.

DESCRIPTION

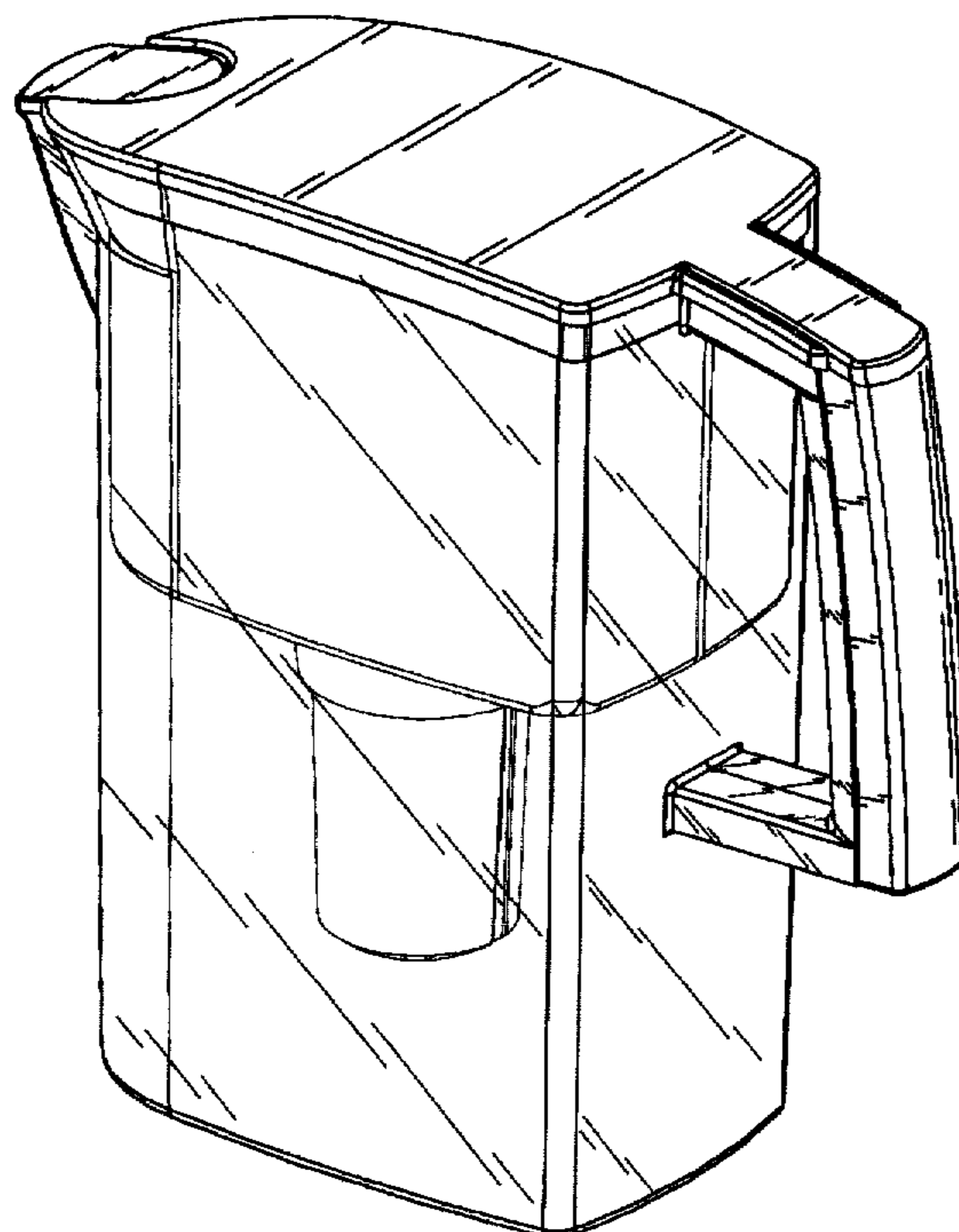
FIG. 1 is a perspective view of our new design for a water purification pitcher;
 FIG. 2 is a side view thereof, the opposite side of that shown being a mirror image;
 FIG. 3 is a top view thereof;
 FIG. 4 is a bottom view thereof;
 FIG. 5 is a front view thereof; and,
 FIG. 6 is a back view thereof.

1 Claim, 6 Drawing Sheets

[56] **References Cited**

U.S. PATENT DOCUMENTS

- D. 331,446 12/1992 Gidman D23/209
- D. 335,608 5/1993 Arnold D7/317
- D. 336,760 6/1993 Raunksaer D23/209
- D. 360,334 7/1995 Garza, Jr. D7/318
- 2,805,561 9/1957 Emmert et al. D7/317 X
- 3,861,565 1/1975 Rickmeier, Jr. D7/317 X
- 4,623,457 11/1986 Hankammer .
- 4,653,671 3/1987 Duffy et al. D7/317
- 4,895,648 1/1990 Hankammer .
- 4,969,996 11/1990 Hankammer .



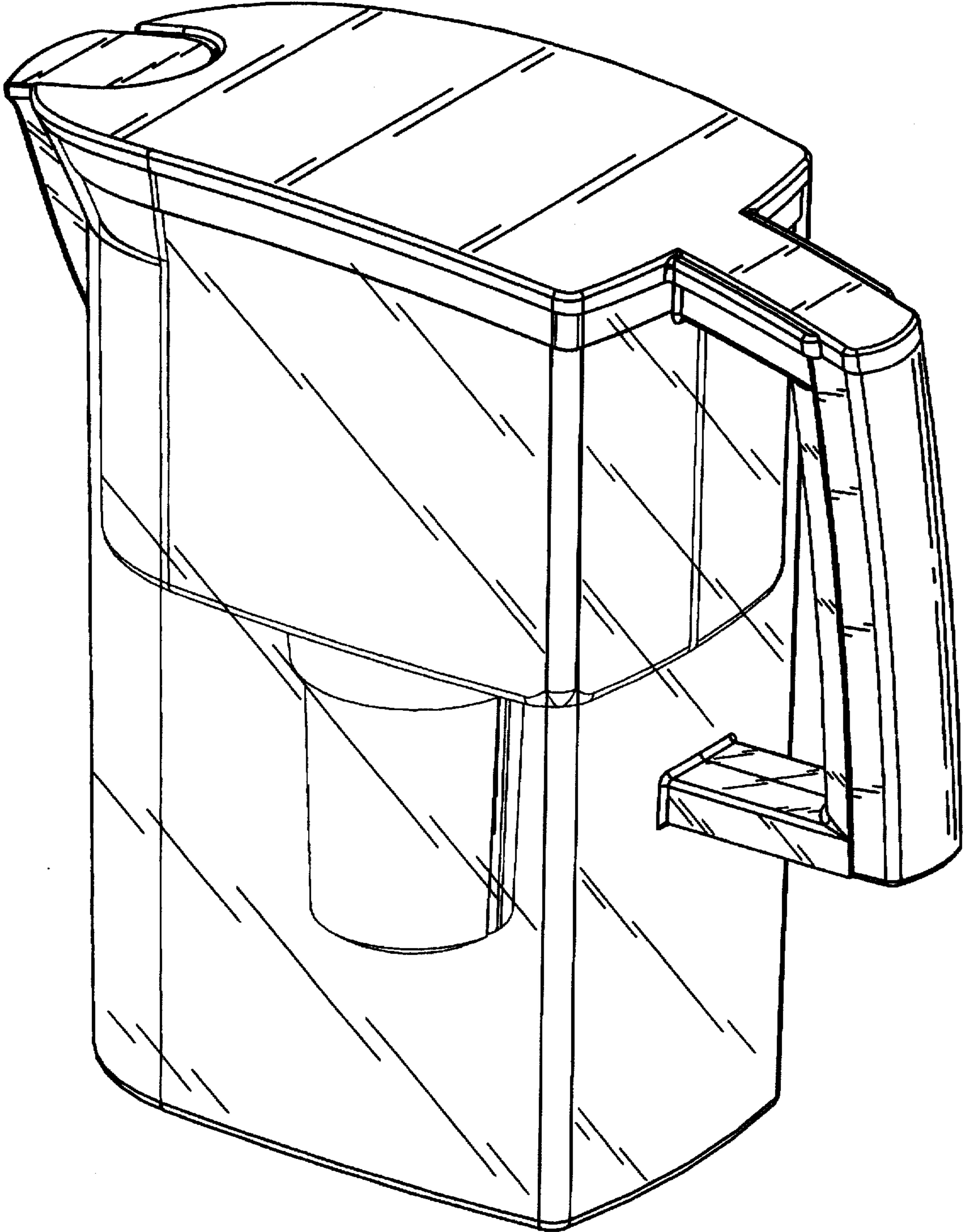


FIG. 1

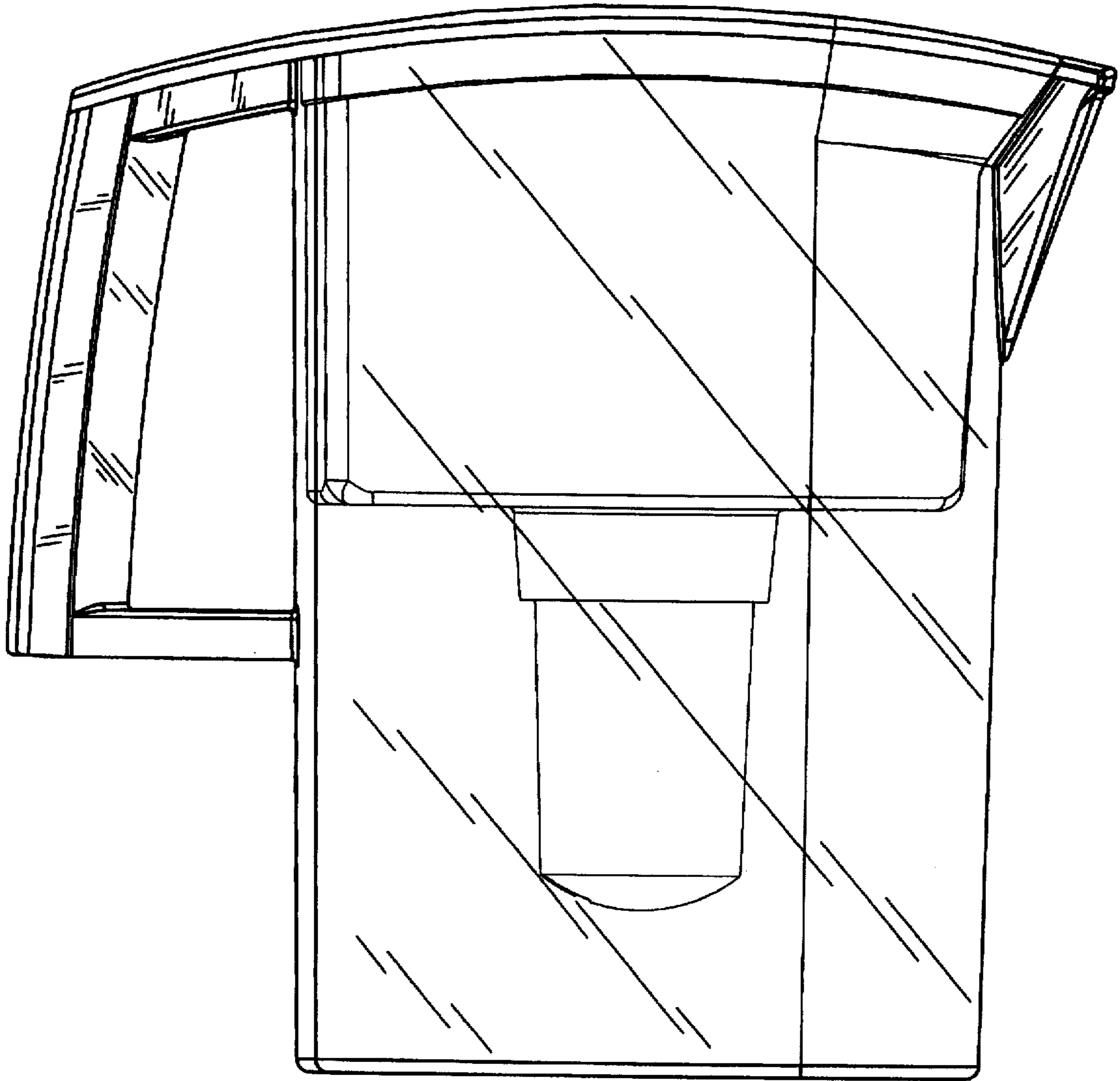


FIG. 2

FIG. 3

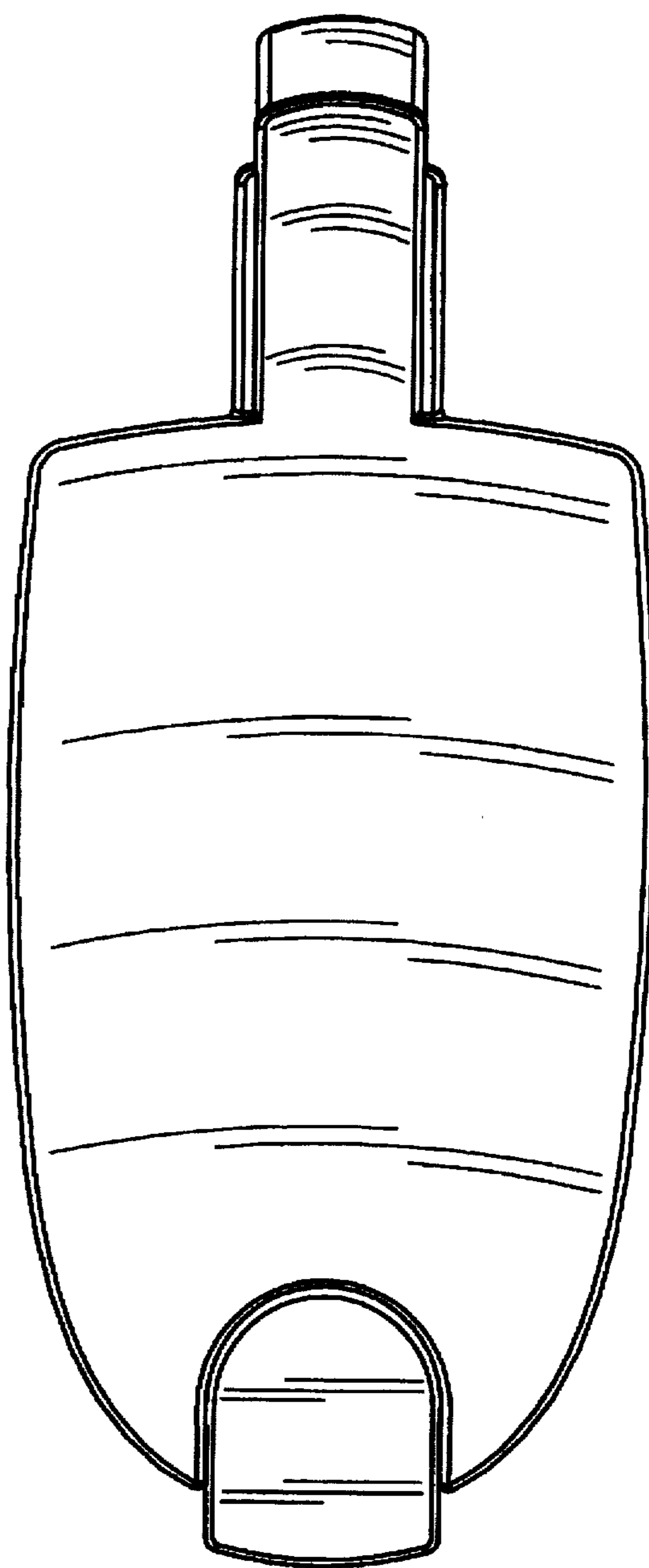
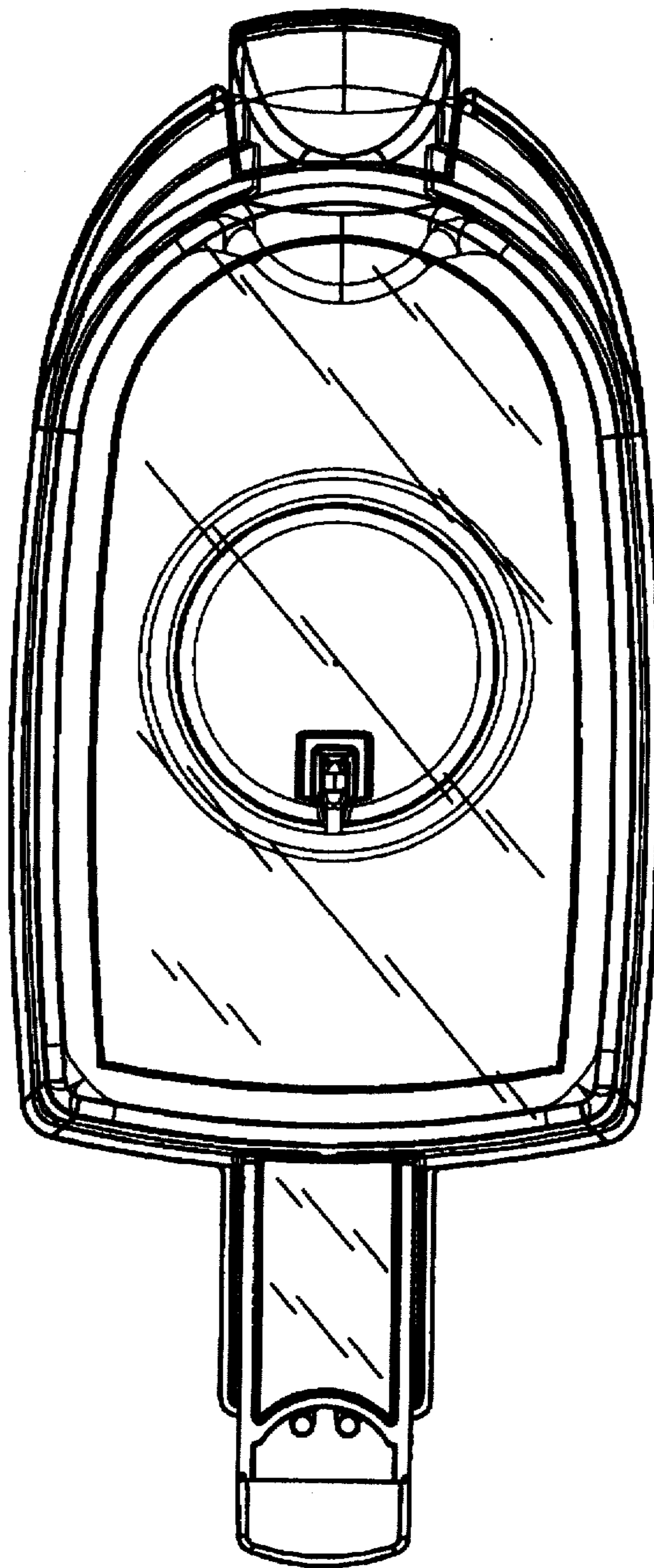


FIG. 4



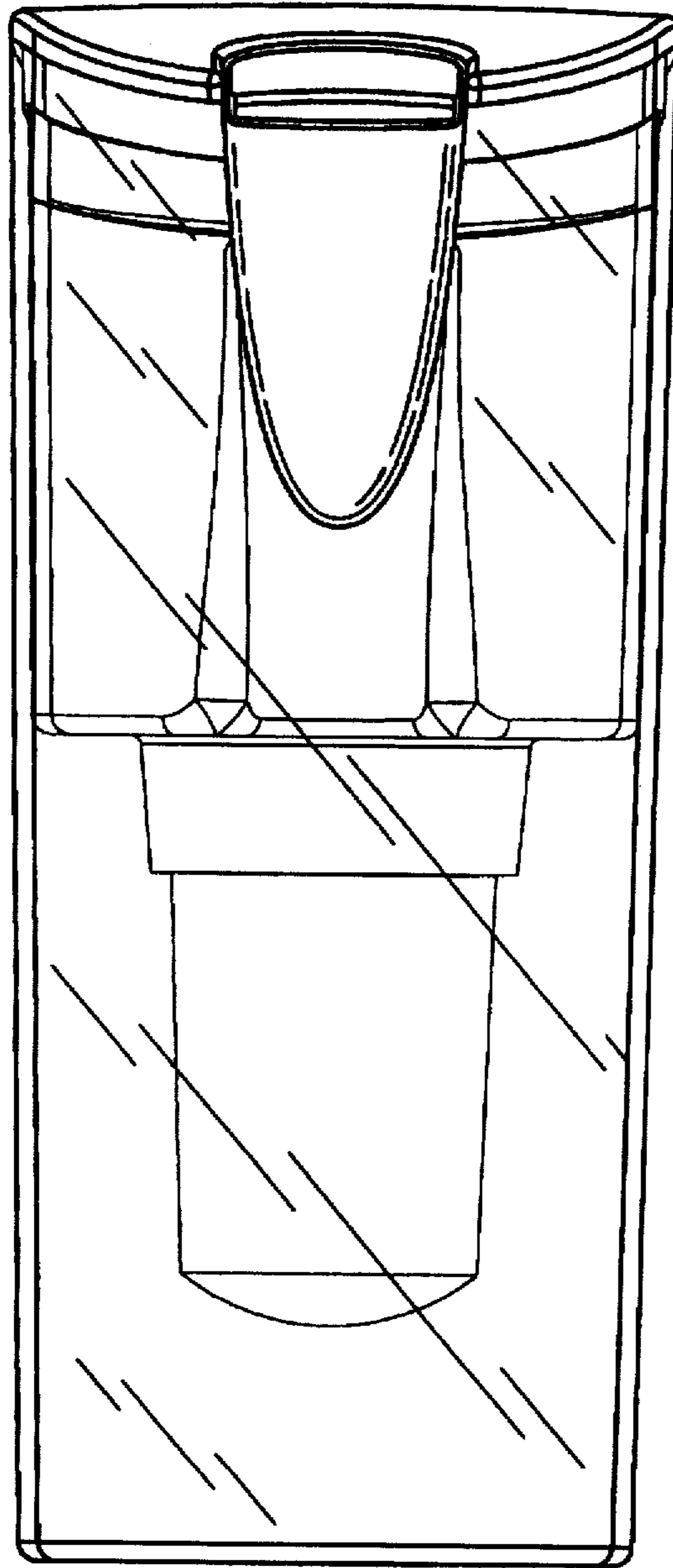


FIG. 5

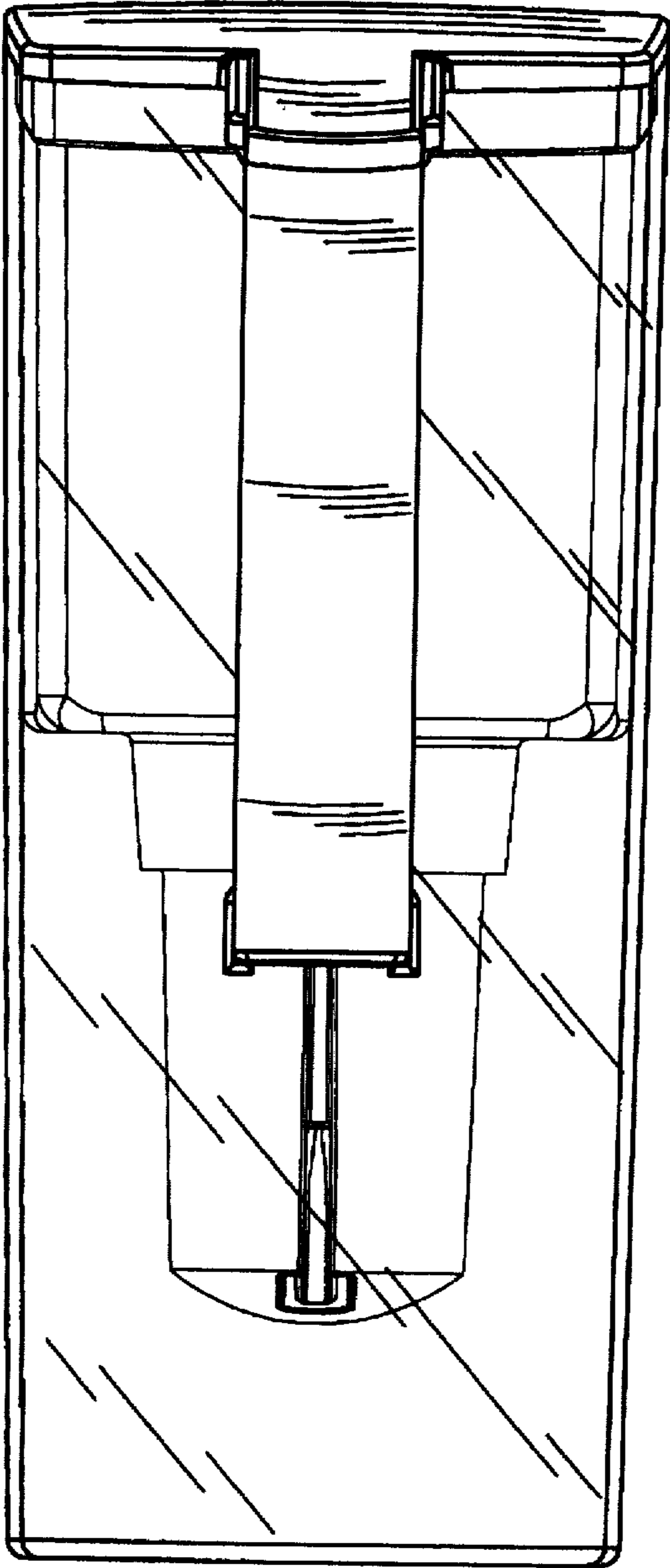


FIG. 6