



US00D386040S

United States Patent [19]

[11] Patent Number: **Des. 386,040**

Joergensen

[45] Date of Patent: *****Nov. 11, 1997**

[54] **COFFEEMAKER**

[75] Inventor: **Carsten Joergensen, Kriens, Switzerland**

[73] Assignee: **PI-Design AG, Triengen, Switzerland**

[*] Notice: **The portion of the term of this patent subsequent to Sep. 16, 2008, has been disclaimed.**

[**] Term: **14 Years**

[21] Appl. No.: **49,708**

[22] Filed: **Jan. 29, 1996**

[30] **Foreign Application Priority Data**

Aug. 8, 1995 [DK] **Denmark** 728/95

[51] LOC (6) Cl. **07-01**

[52] U.S. Cl. **D7/319; D7/318; D7/317**

[58] Field of Search **D7/300, 302, 312, D7/314, 317, 318, 319, 320, 309, 321, 322, 310, 619, 620, 629, 622; 220/718, 755; 206/446; 222/465.1**

[56] **References Cited**

U.S. PATENT DOCUMENTS

- D. 52,019 5/1918 **Biette** D7/310
- D. 181,143 10/1957 **Gundelfinger** D7/317 X
- D. 337,691 7/1993 **Raunkjaer** D7/317

- D. 342,414 12/1993 **Jorgensen** D7/317
- D. 343,333 1/1994 **Jorgensen** D7/317
- D. 343,760 2/1994 **Lin** D7/318
- D. 372,627 8/1996 **Ireland** D7/317
- 1,782,962 11/1930 **Hobbs** 206/446
- 4,365,544 12/1982 **Howitt** D7/317 X

OTHER PUBLICATIONS

Coffee Pot (bottom) King Insulated Pitchers Sell Sheet of Beverage Servers Yn Huang of Taiwan 1990.
Instabrewer, Housewares Feb. 1974, p. 37.
Press Filter, Coffeemaker Tableware International p. 52 Nov. 1986.

Primary Examiner—M. N. Pandozzi
Attorney, Agent, or Firm—Merchant, Gould, Smith, Edell, Welter & Schmidt, P.A.

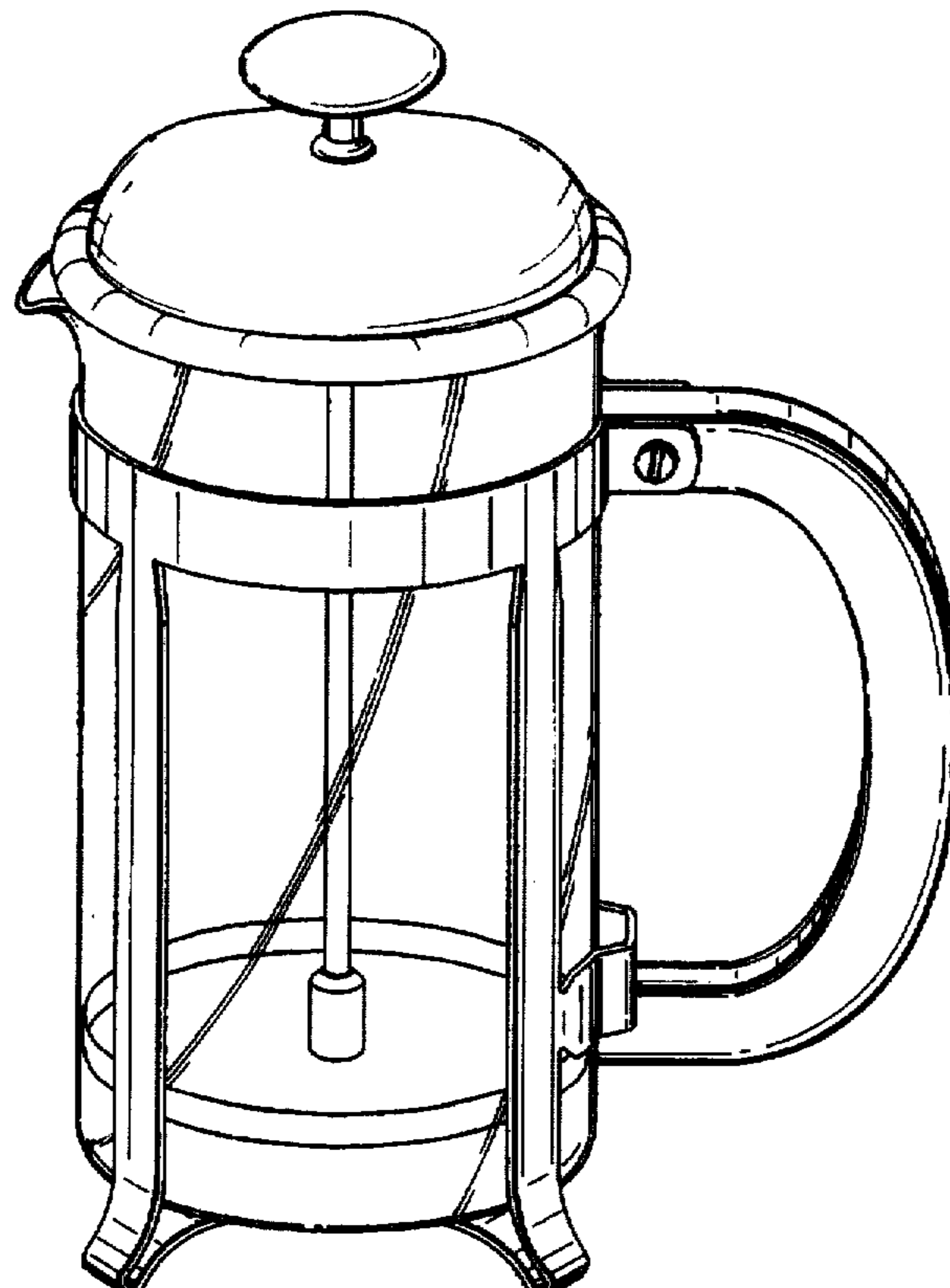
[57] **CLAIM**

The ornamental design for a coffeemaker, as shown and described.

DESCRIPTION

FIG. 1 is an oblique perspective view of the coffeemaker; FIG. 2 is a front view of the coffeemaker; FIG. 3 is a back view of the coffeemaker; FIG. 4 is a right side view of the coffeemaker; FIG. 5 is a left side view of the coffeemaker; FIG. 6 is a top view of the coffeemaker; and, FIG. 7 is a bottom view of the coffeemaker.

1 Claim, 7 Drawing Sheets



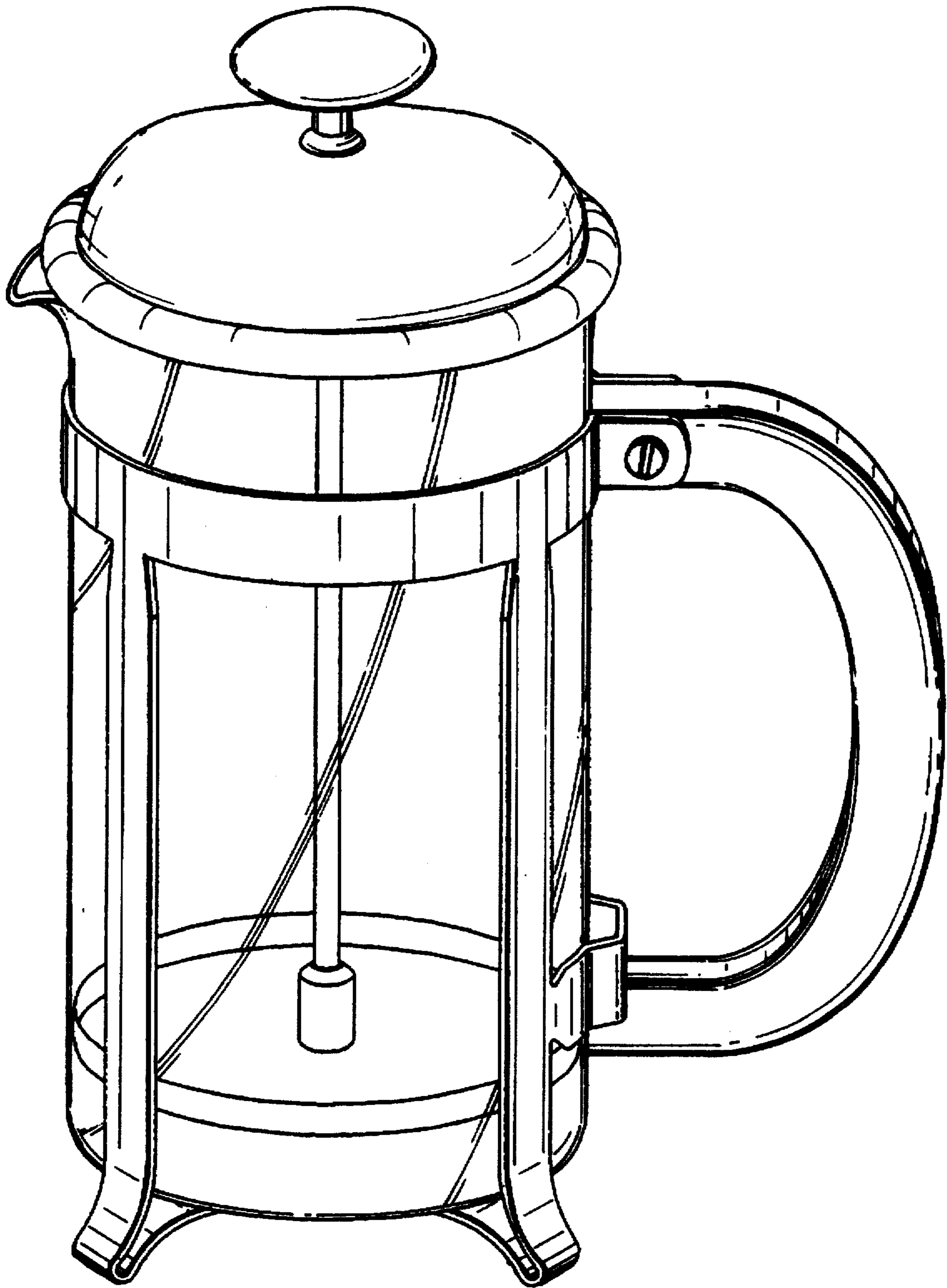


Fig. 1

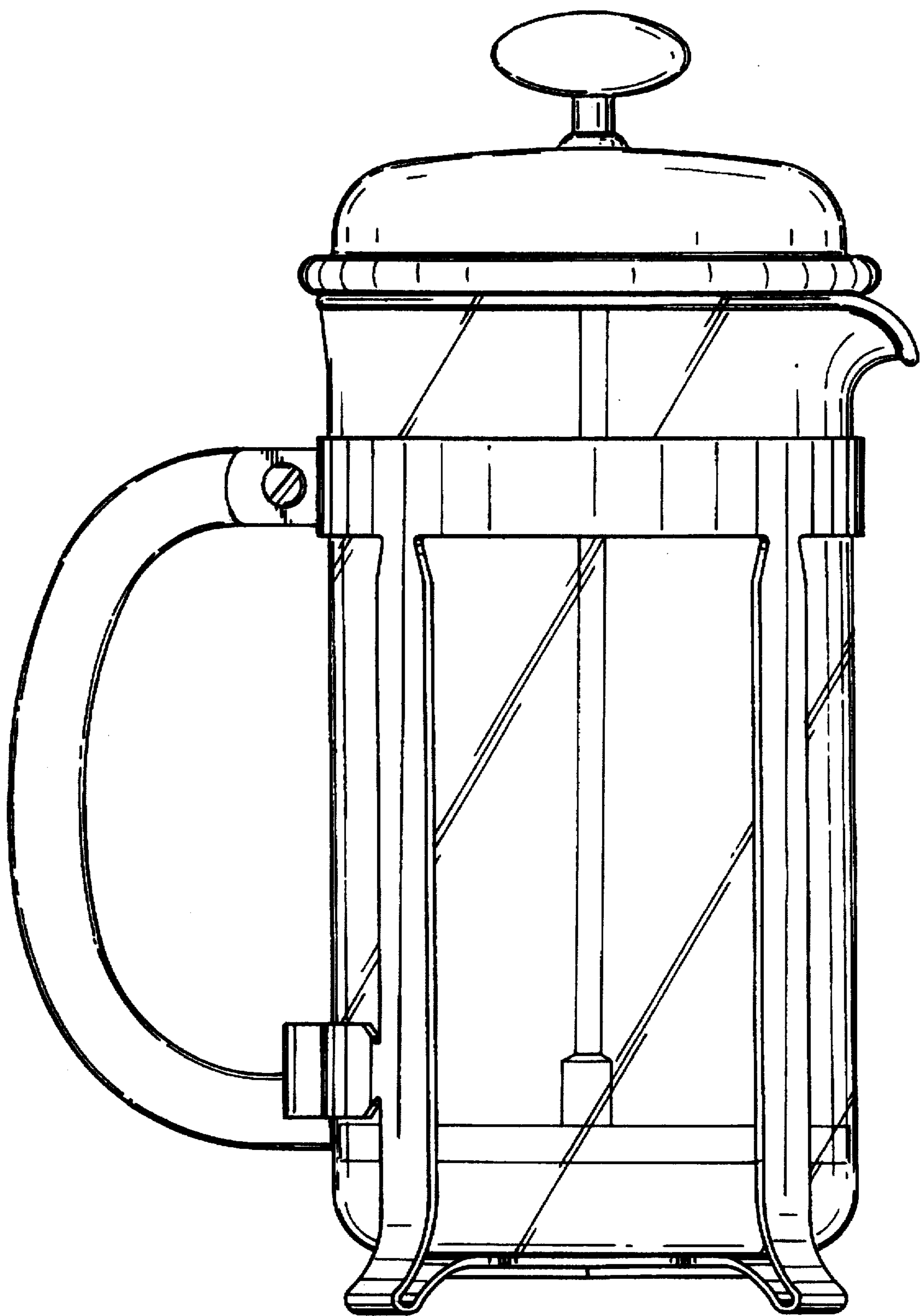


Fig. 2

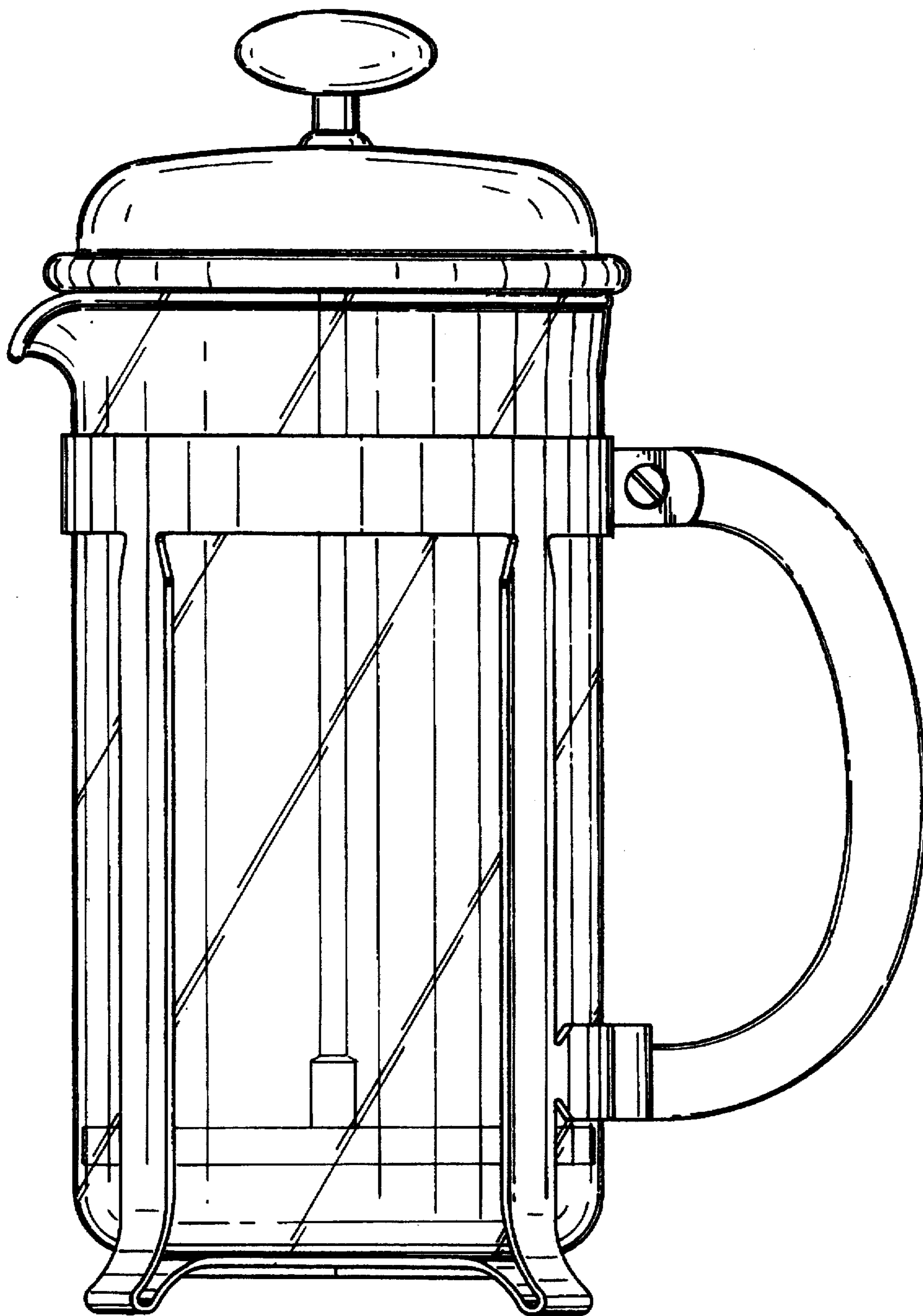


Fig. 3

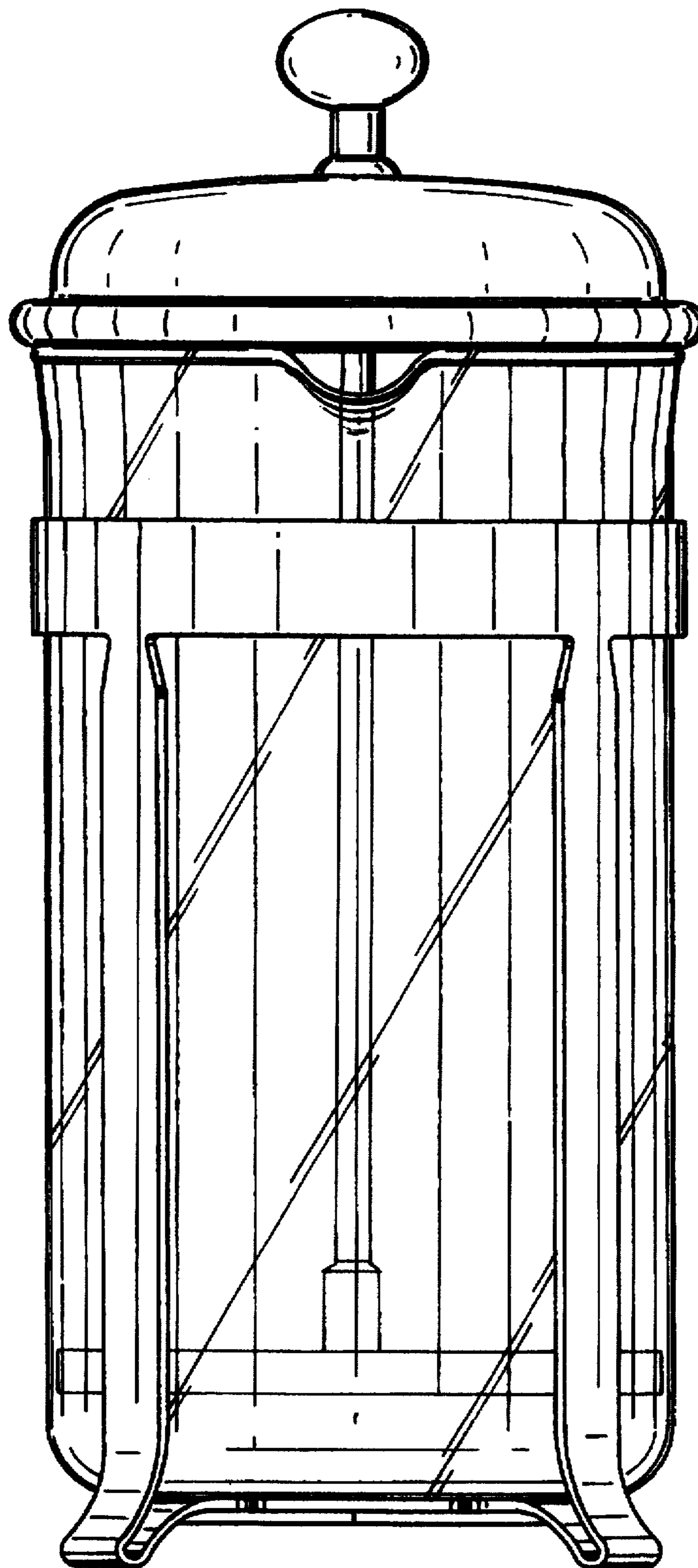


Fig. 4

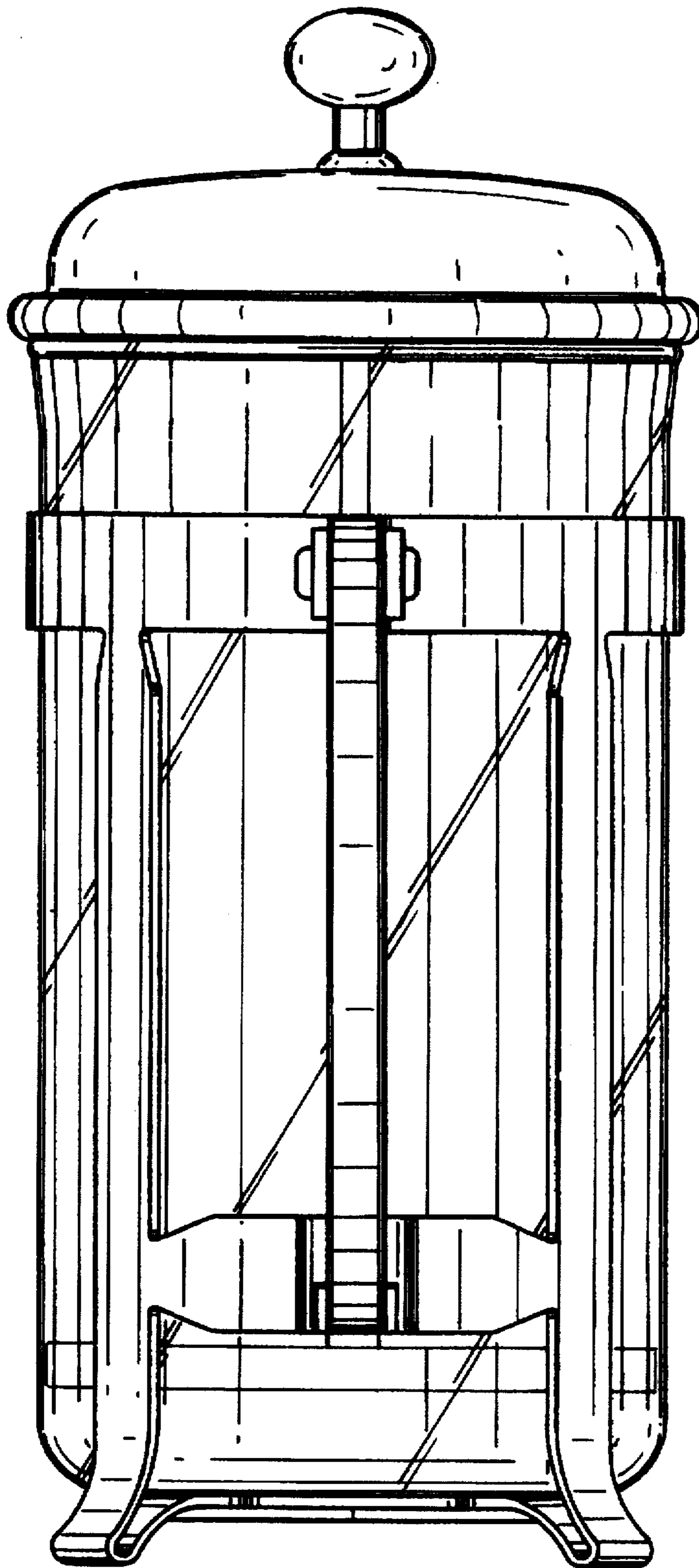


Fig. 5

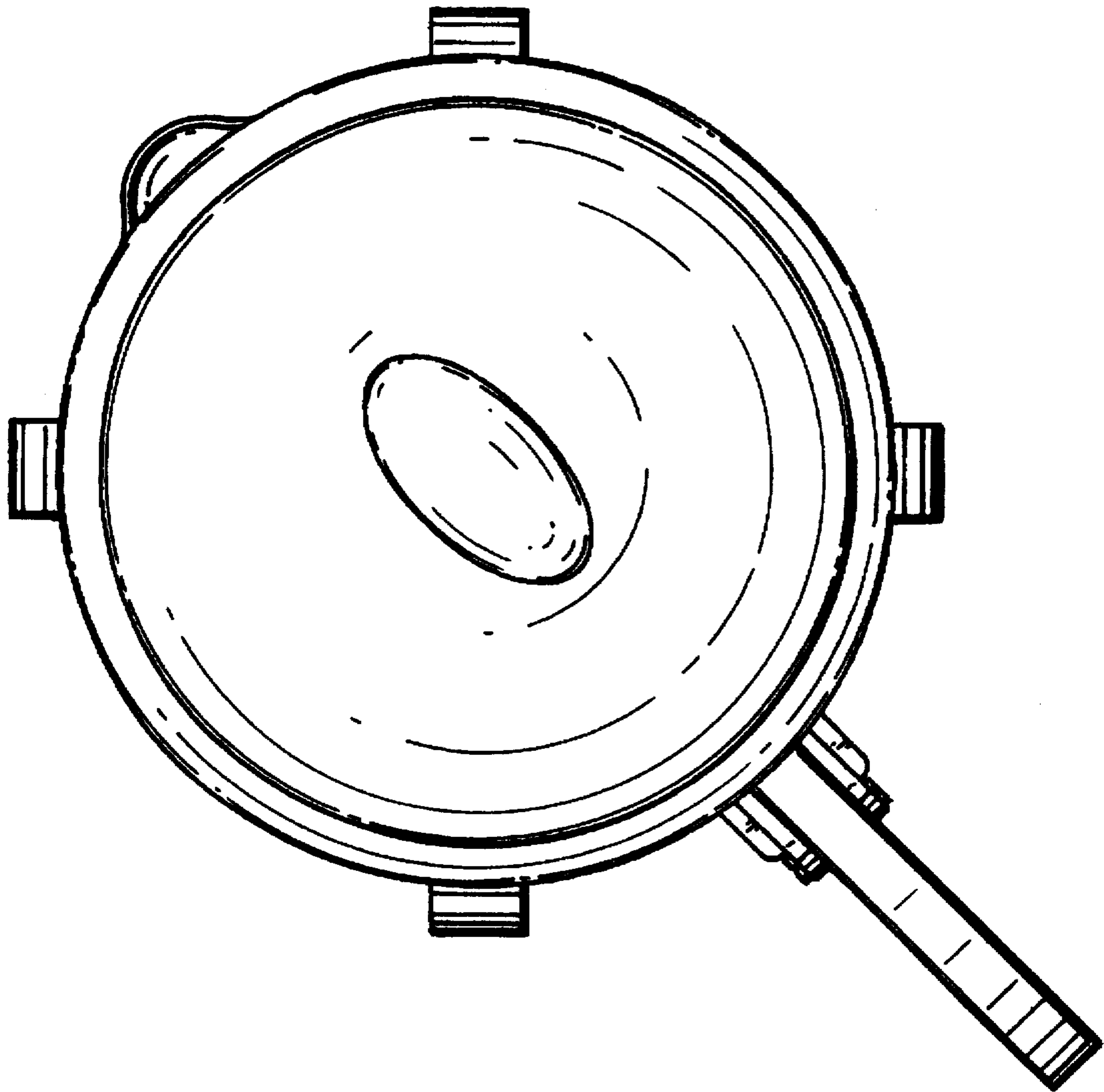


Fig. 6

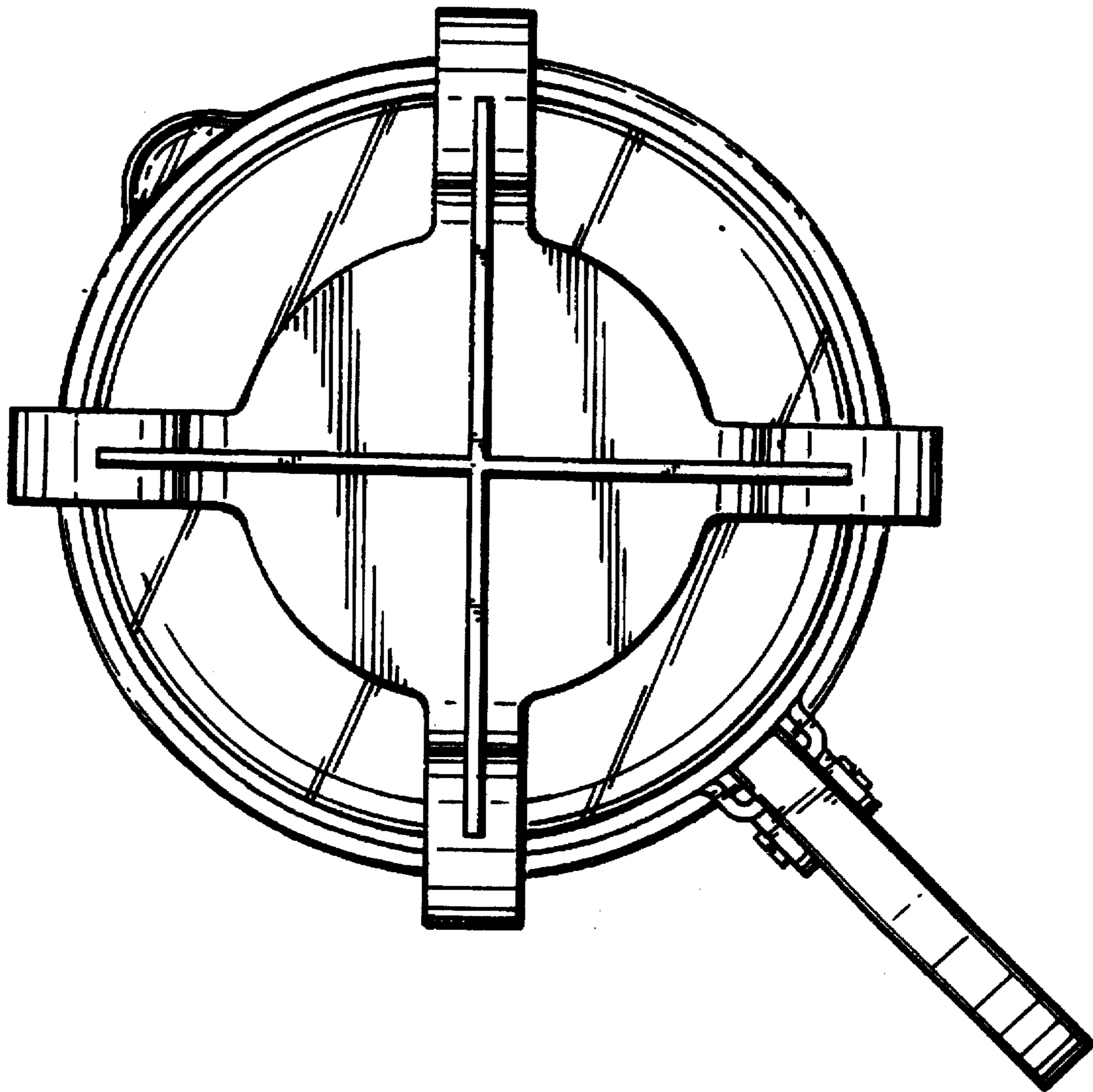


Fig. 7