



US00D386030S

United States Patent [19]
York

[11] **Patent Number: Des. 386,030**

[45] **Date of Patent: **Nov. 11, 1997**

[54] **SNOWBOARD STORAGE RACK**

[76] **Inventor: Randall York, 3050 Spruce, Reno, Nev. 89511**

[**] **Term: 14 Years**

[21] **Appl. No.: 53,940**

[22] **Filed: May 2, 1996**

[51] **LOC (6) Cl. 08-08**

[52] **U.S. Cl. D6/552**

[58] **Field of Search D6/552, 567, 553; 211/13, 60.1, 70.5, 71**

4,678,087 7/1987 York .
5,082,123 1/1992 Lamb .
5,344,056 9/1994 Challoner .
5,383,587 1/1995 Carpenter .
5,390,837 2/1995 Ruffolo .

Primary Examiner—Brian N. Vinson
Attorney, Agent, or Firm—Knobbe, Martens, Olson & Bear LLP

[57] **CLAIM**

The ornamental design for a snowboard storage rack, as shown and described.

DESCRIPTION

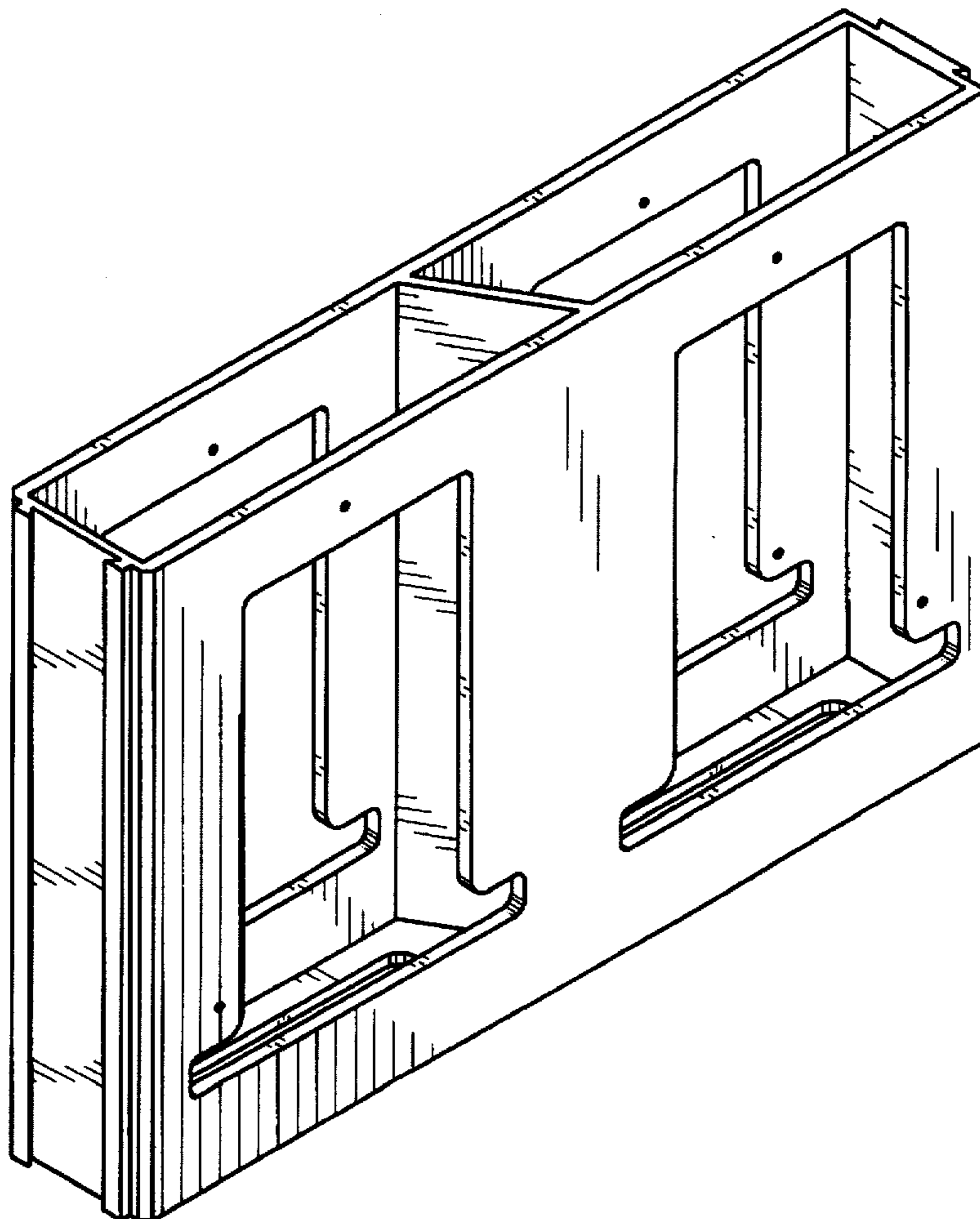
FIG. 1 is a front perspective view of a snowboard storage rack showing my new and ornamental design; FIG. 2 is a top plan view thereof; FIG. 3 is a front elevational view thereof; FIG. 4 is a rear elevational view thereof; FIG. 5 is a bottom plan view thereof; FIG. 6 is a left side elevational view thereof; and, FIG. 7 is a right side elevational view thereof.

[56] **References Cited**

U.S. PATENT DOCUMENTS

D. 272,786	2/1984	McCuiston	D6/552
D. 286,119	10/1986	Enquist	D6/552
D. 294,790	3/1988	York	
D. 298,499	11/1988	York	D6/552
D. 335,309	5/1993	Evenson	D6/567
D. 337,980	8/1993	Ng	
D. 350,109	8/1994	Ruffolo	
3,905,481	9/1975	Laterra	211/70.5

1 Claim, 2 Drawing Sheets



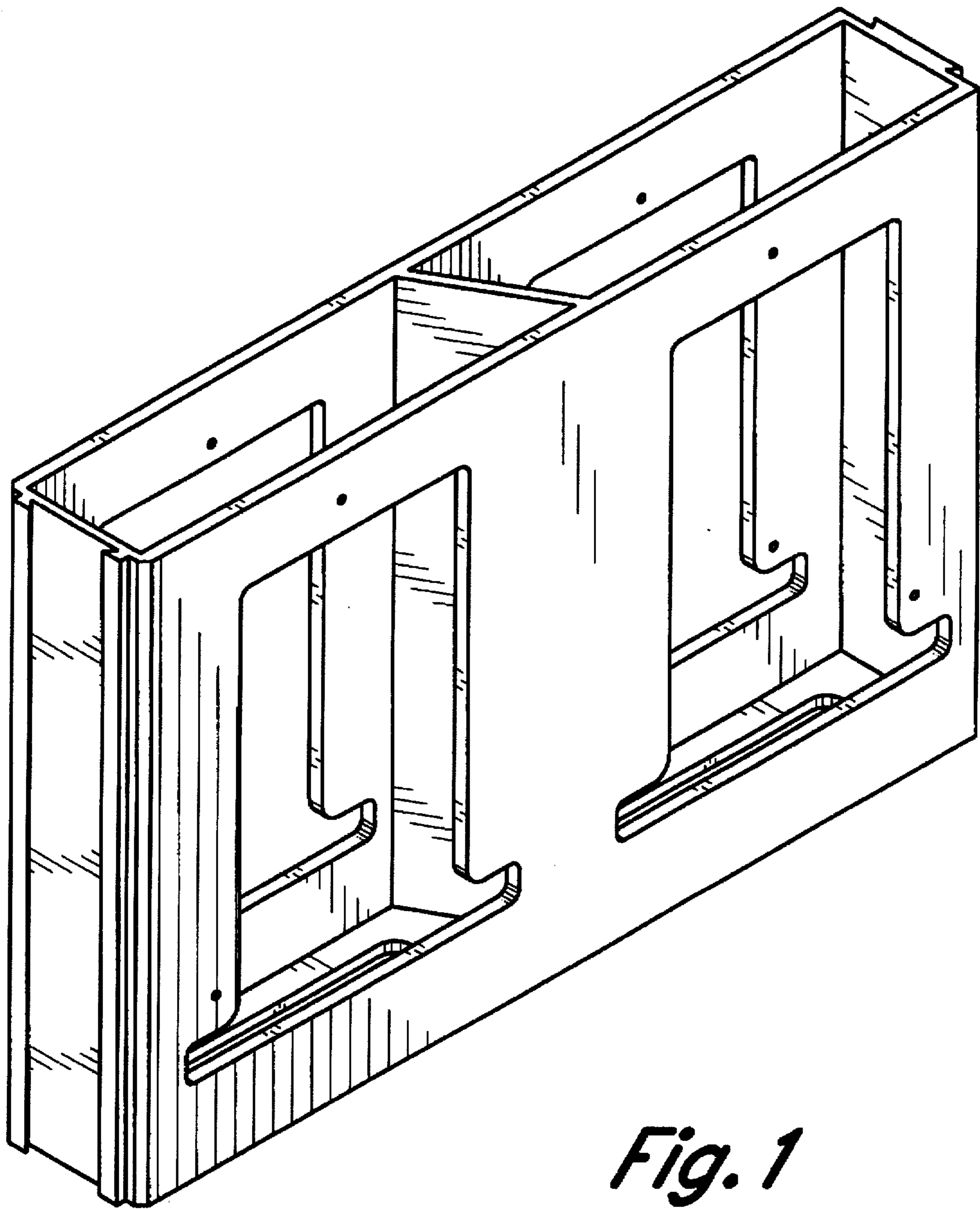


Fig. 1



Fig. 2

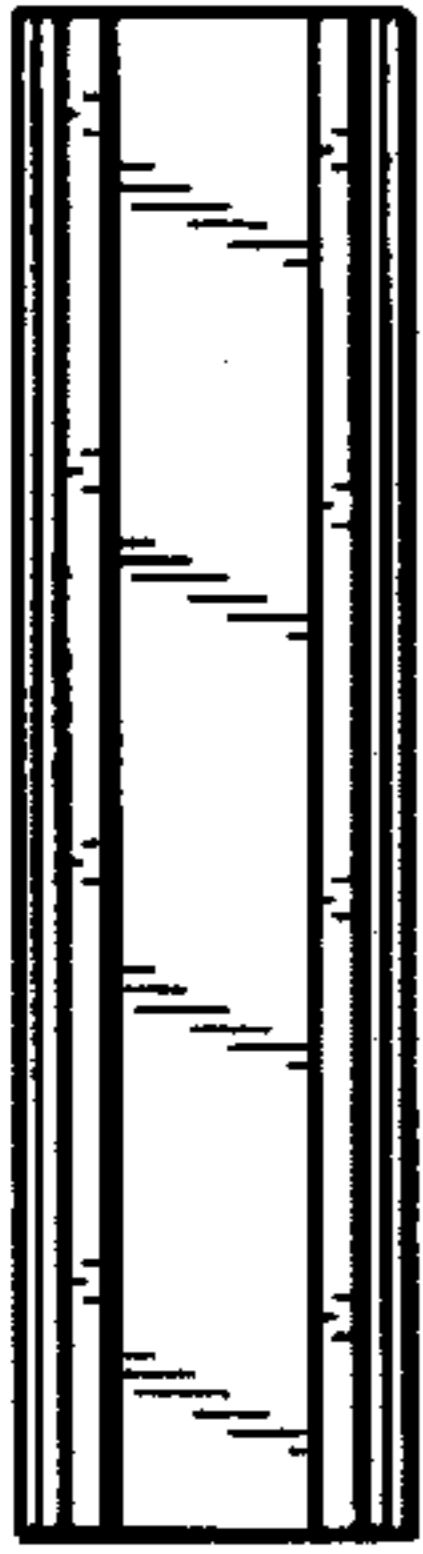


Fig. 6

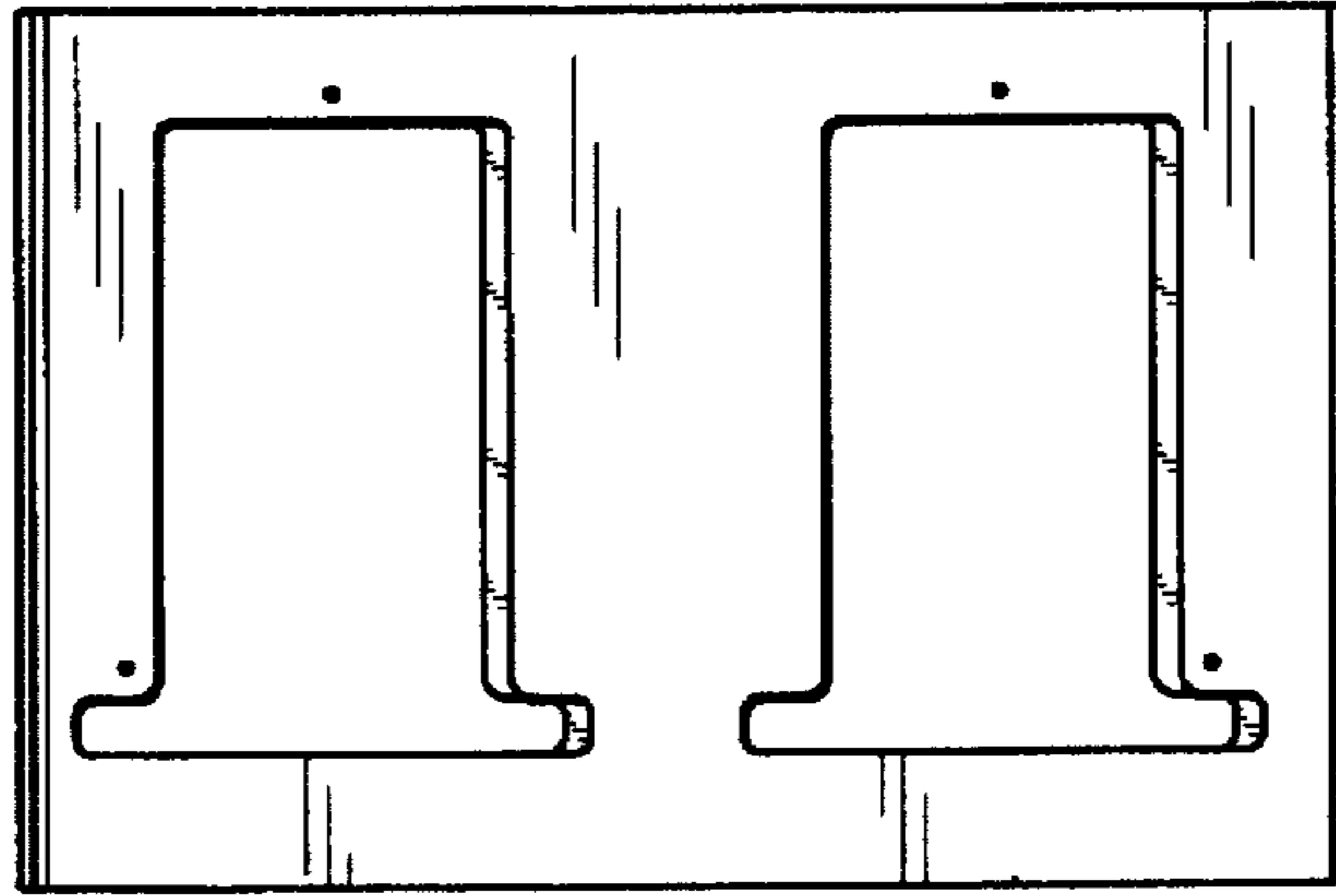


Fig. 3

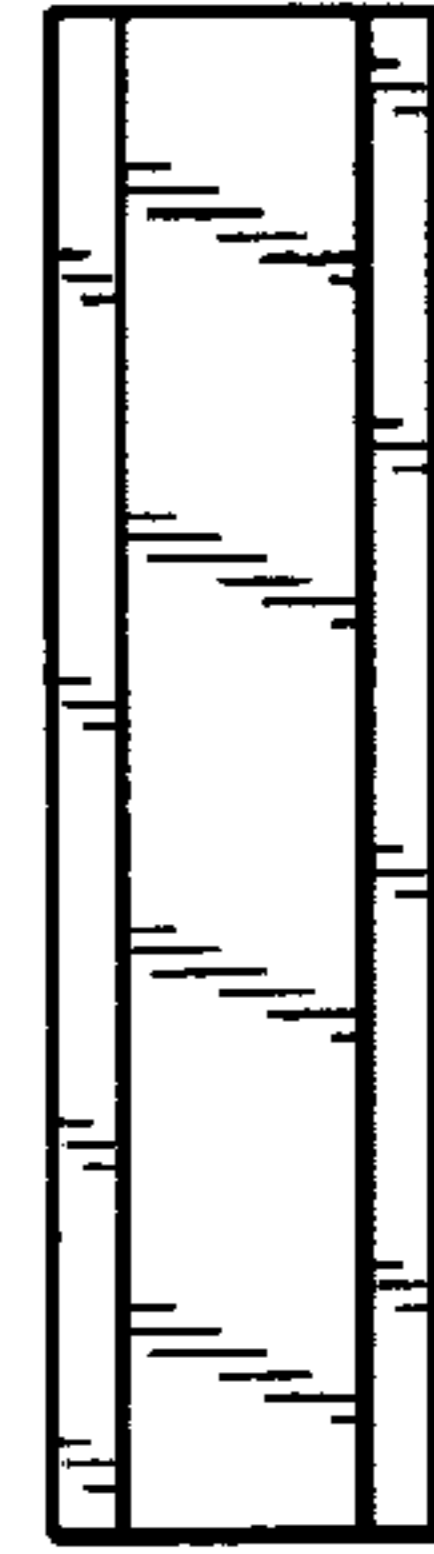


Fig. 7

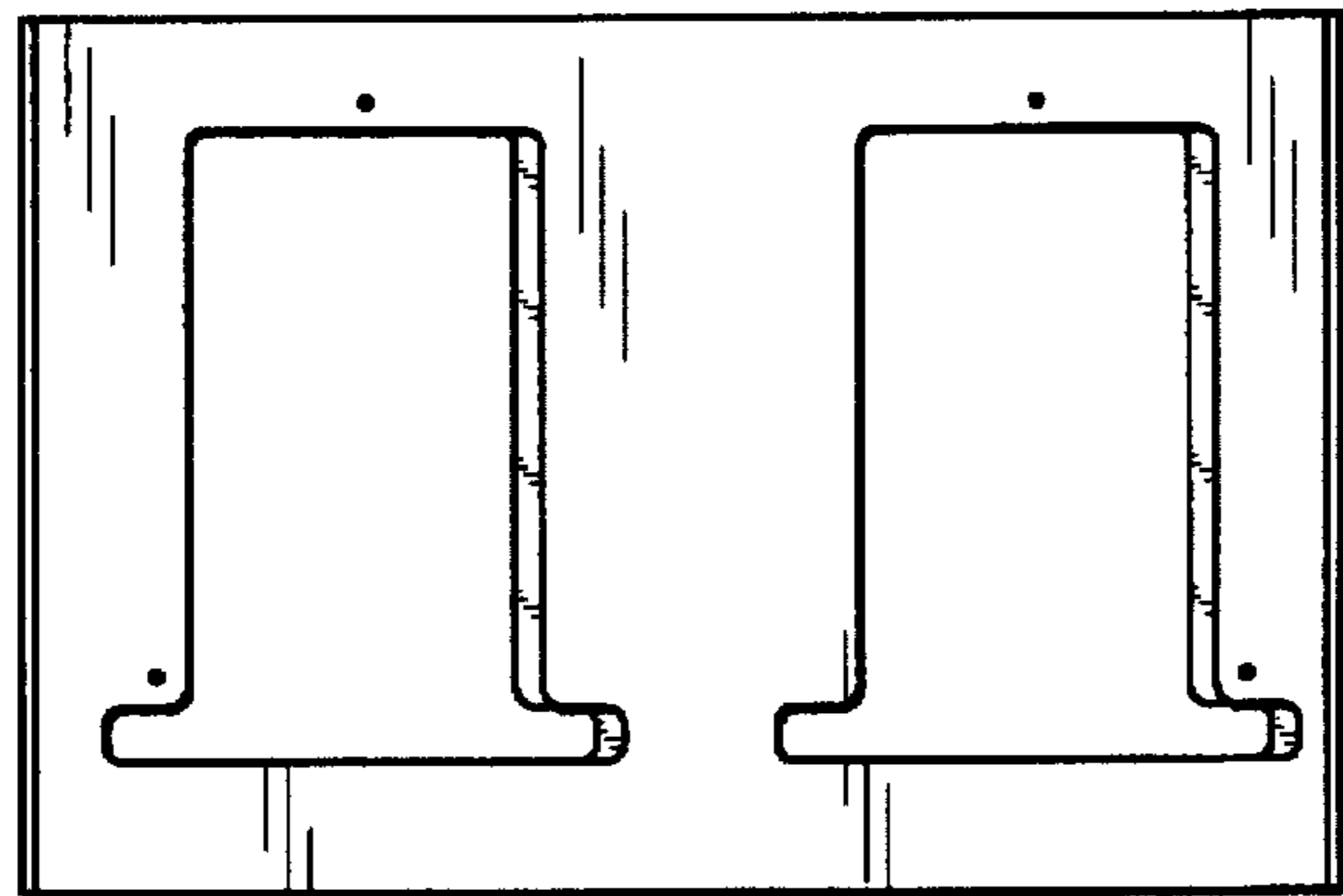


Fig. 4



Fig. 5