



US00D386029S

United States Patent [19]

[11] Patent Number: **Des. 386,029**

Hsu

[45] Date of Patent: ****Nov. 11, 1997**

[54] SOAP BASIN

D. 286,354 10/1986 Bussell D6/536
D. 345,067 3/1994 Shafer D6/536

[76] Inventor: **Junior Julian Hsu**, 3633 Palm Canyon,
Northbrook, Ill. 60062

Primary Examiner—Susan J. Lucas
Assistant Examiner—Pamela Burgess
Attorney, Agent, or Firm—Bacon & Thomas

[**] Term: 14 Years

[57] **CLAIM**

[21] Appl. No.: 56,754

The ornamental design for a soap basin, as shown and described.

[22] Filed: Jul. 8, 1996

DESCRIPTION

[51] LOC (6) Cl. 23-02

[52] U.S. Cl. D6/536

[58] Field of Search D6/532, 536, 534,
D6/529, 533, 537; D28/76; 4/628, 656;
206/77.1, 565, 559, 557, 561; 248/309 R

FIG. 1 is a perspective view of a soap basin showing my design;

FIG. 2 is a front elevation view thereof;

FIG. 3 is a rear elevation view thereof;

FIG. 4 is a left side elevation view thereof;

FIG. 5 is a right rear perspective view thereof;

FIG. 6 is a top plan view thereof; and,

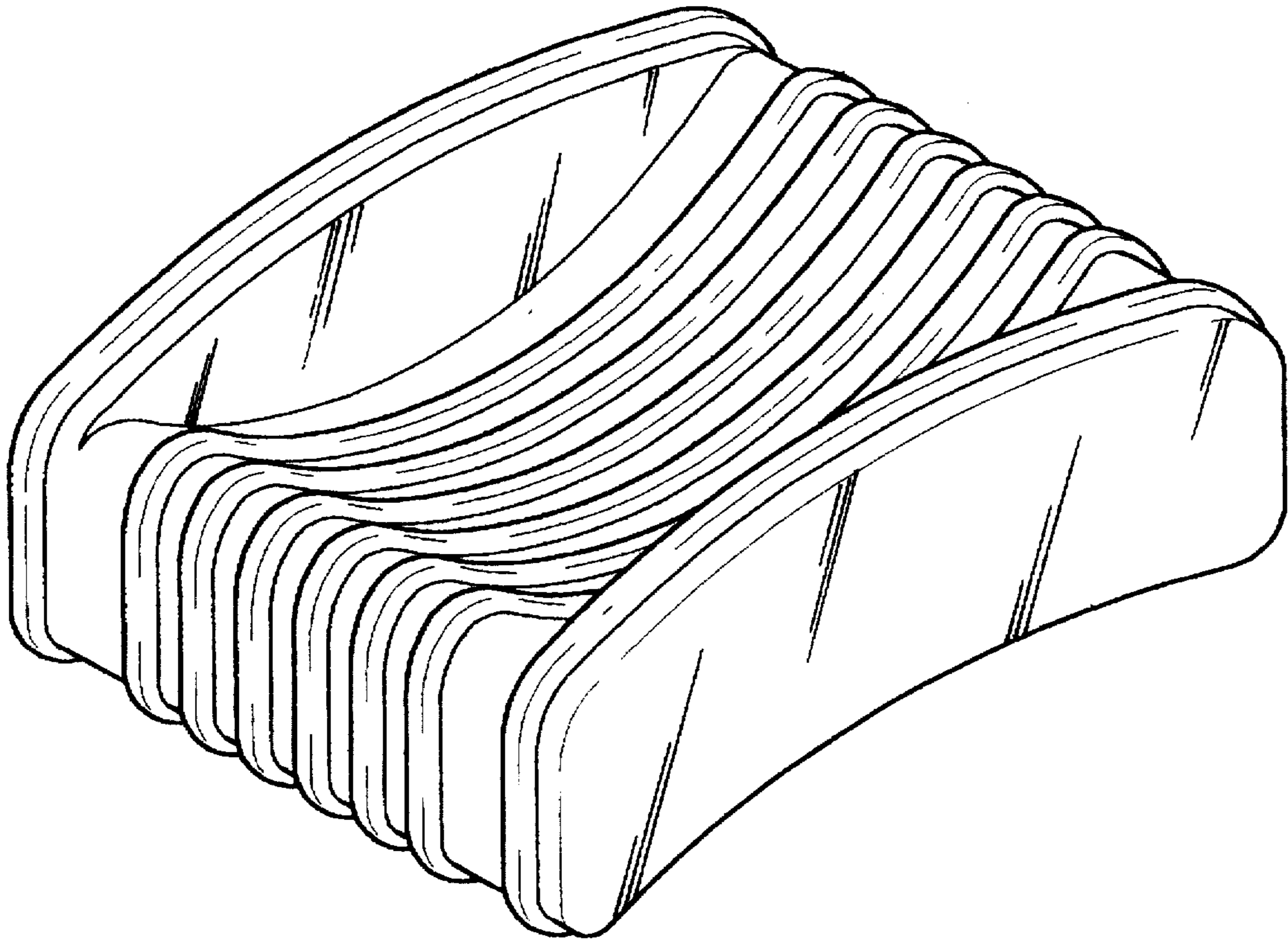
FIG. 7 is a bottom plan view thereof.

[56] **References Cited**

U.S. PATENT DOCUMENTS

D. 136,209 8/1943 Holton D6/536
D. 154,903 8/1949 Caldwell D6/536
D. 240,784 8/1976 Beauchamp D6/536
D. 278,491 4/1985 Thompson D6/536

1 Claim, 4 Drawing Sheets



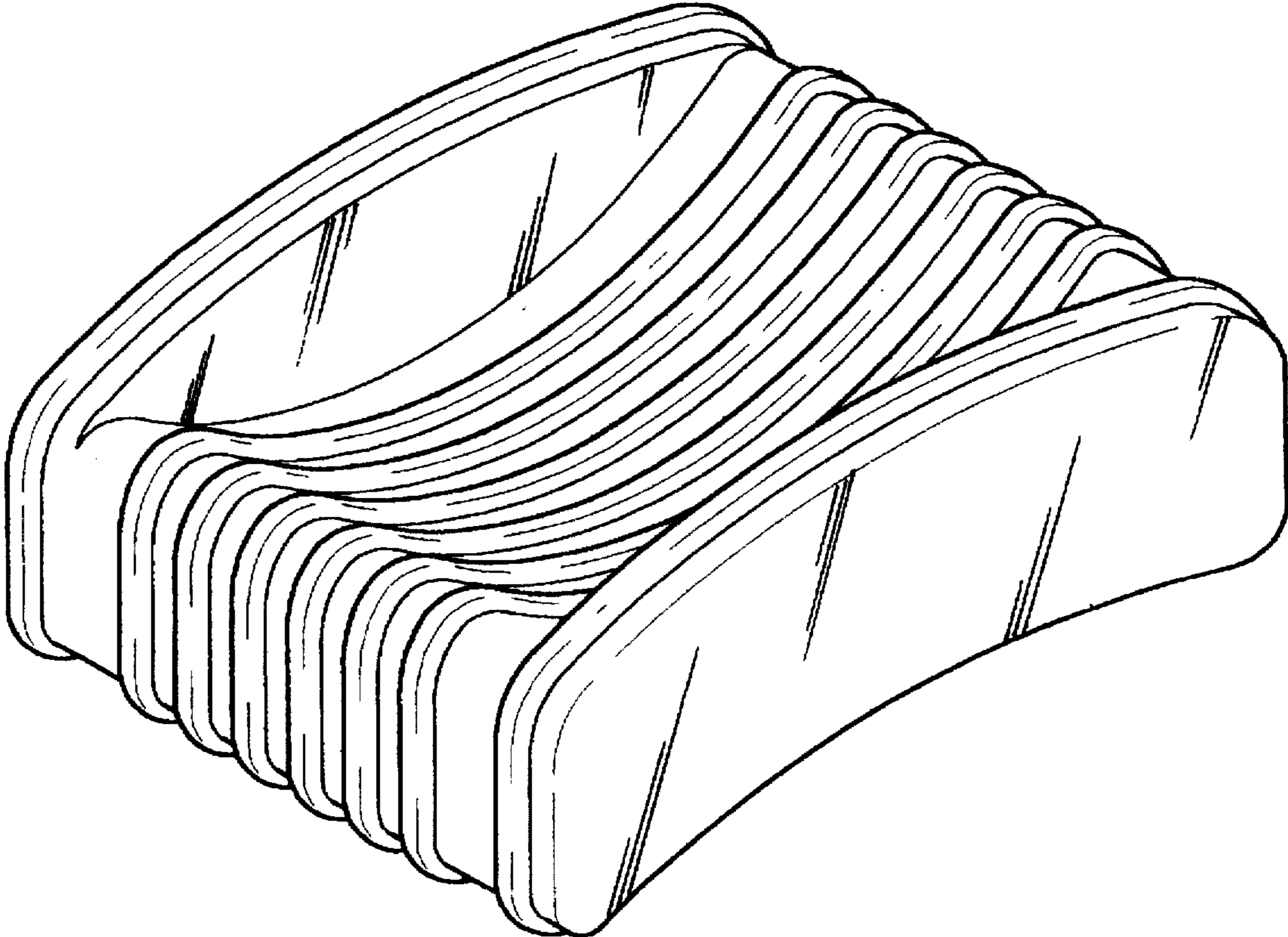


FIG. 1

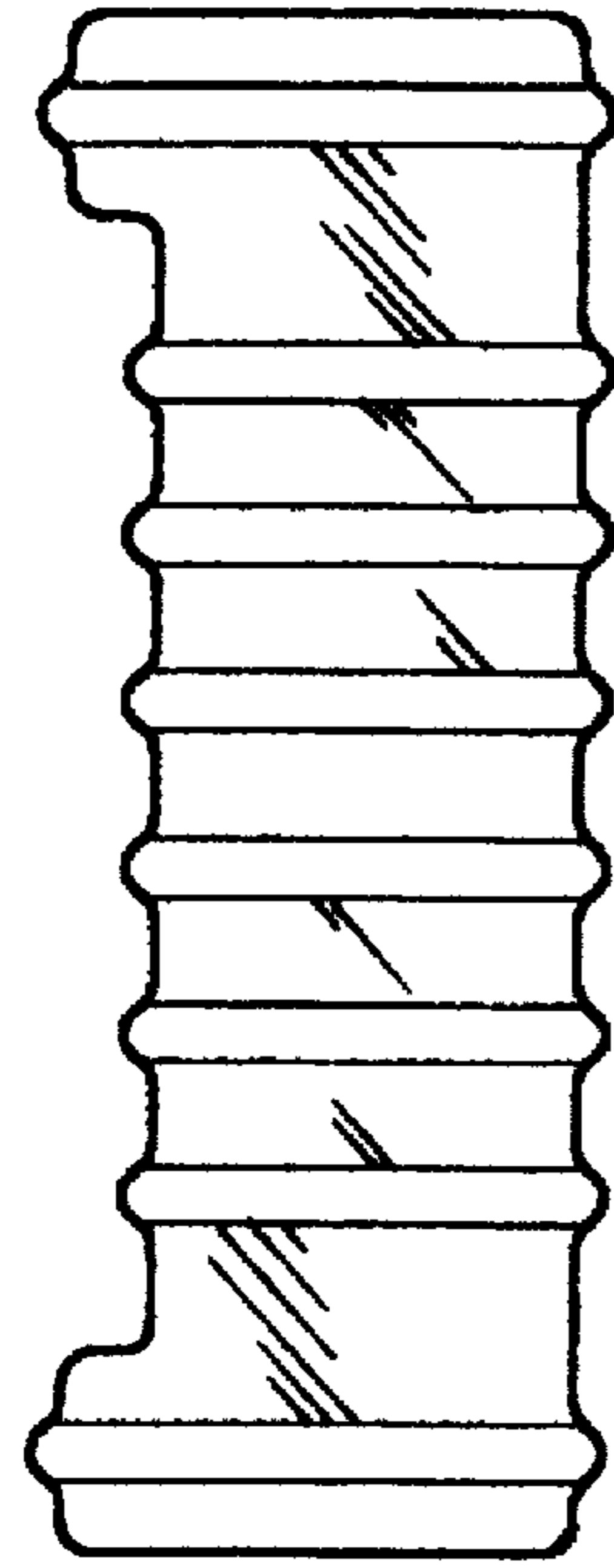


FIG. 2

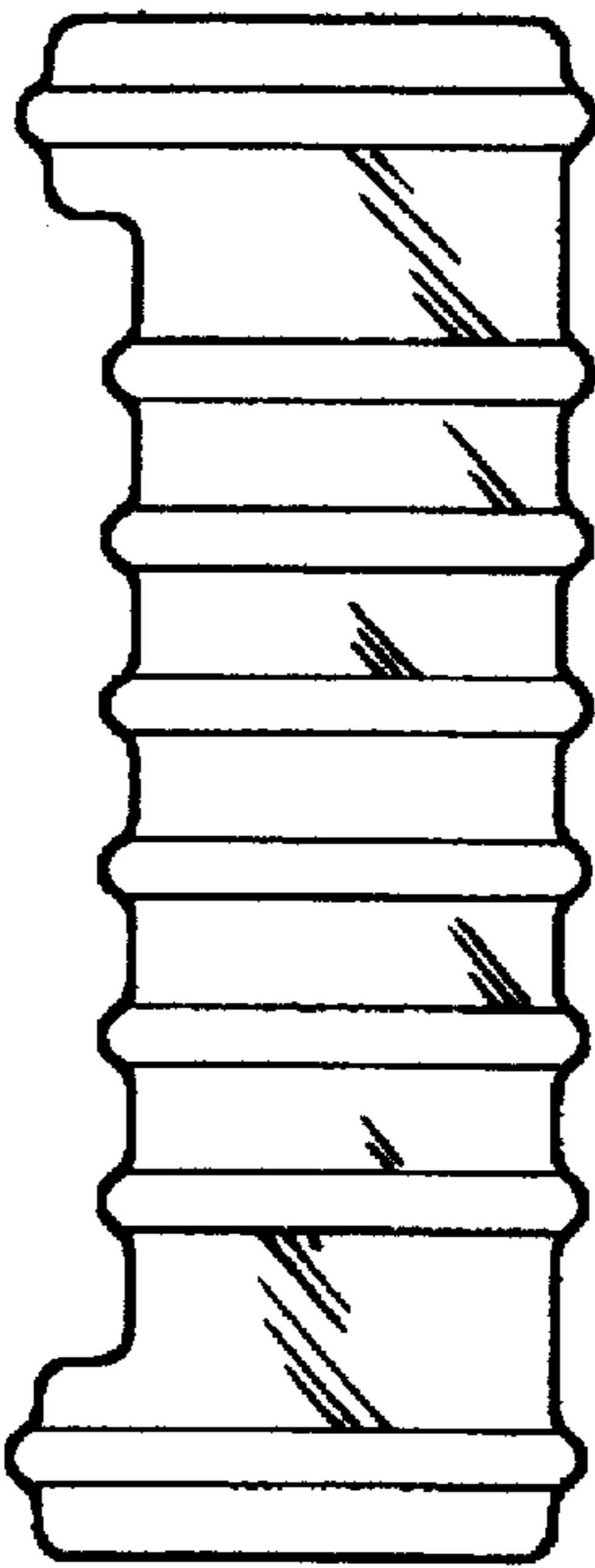


FIG. 3

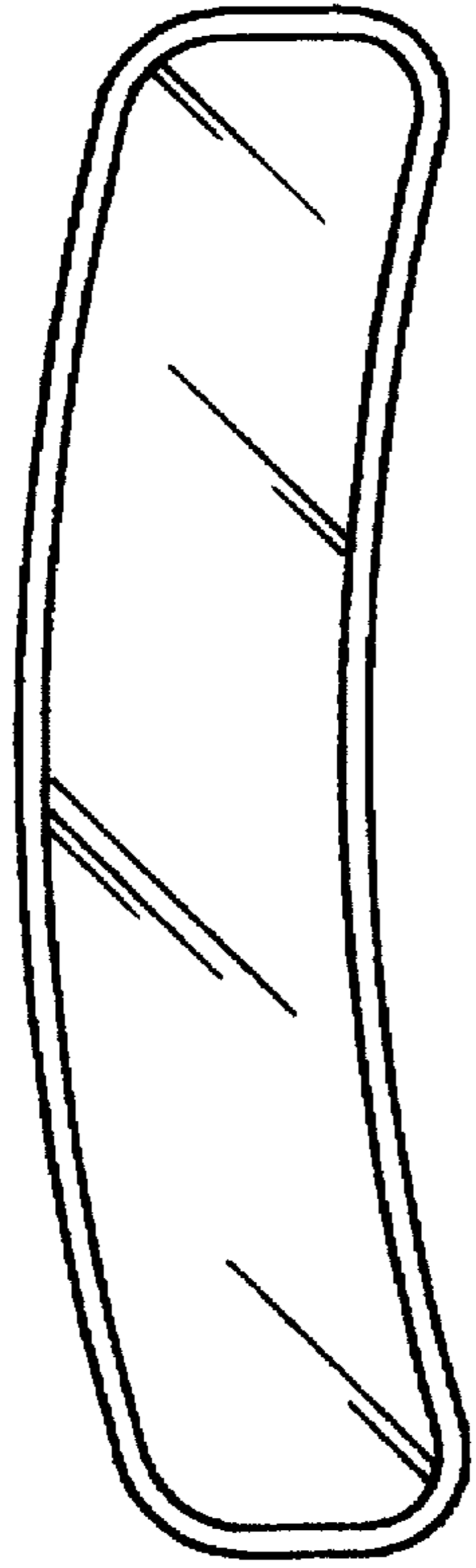


FIG. 4

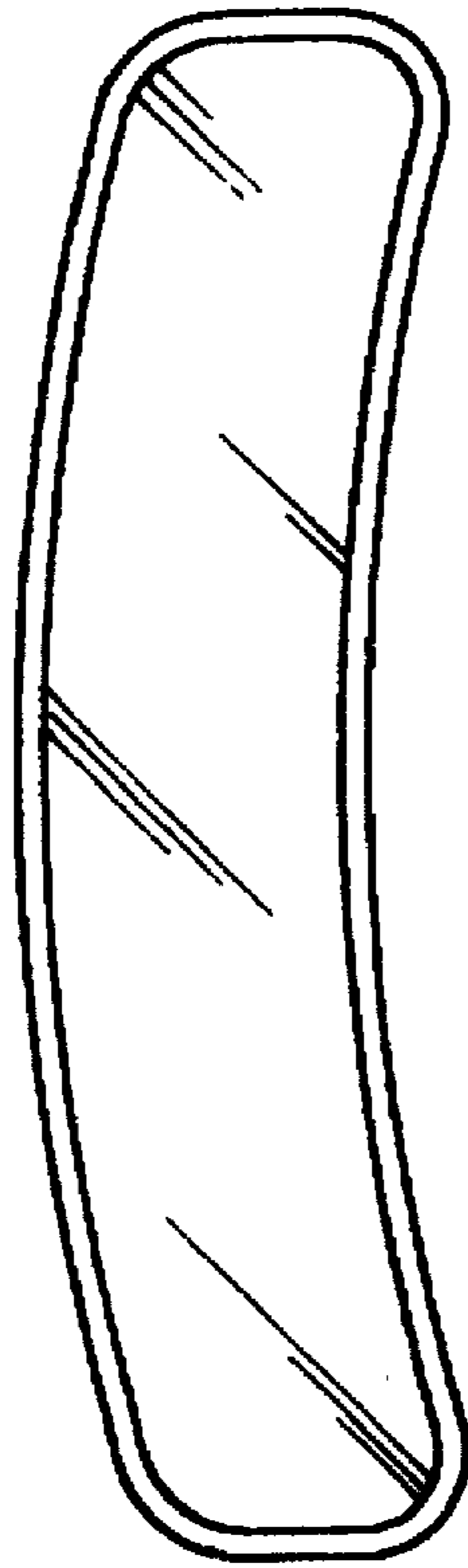


FIG. 5

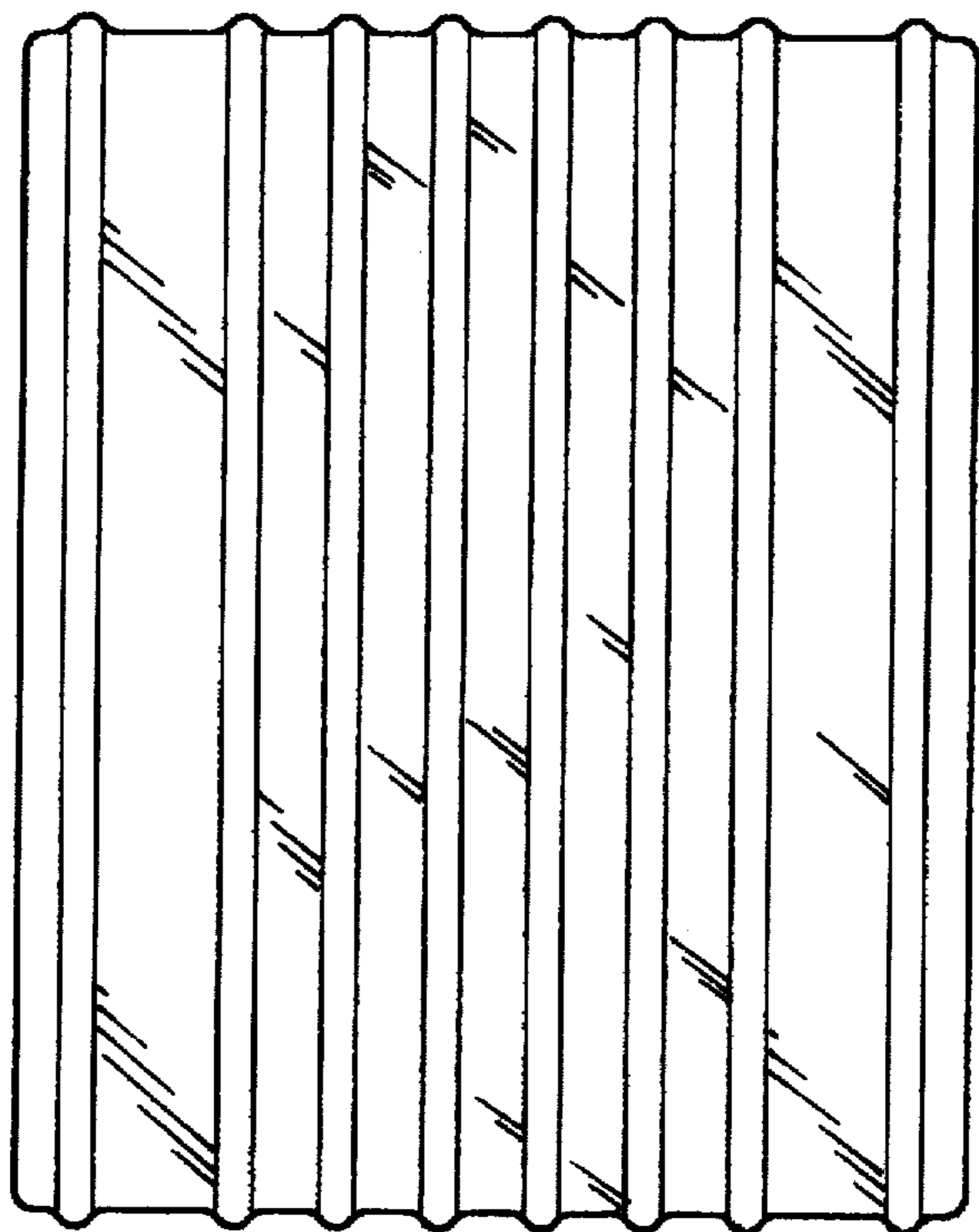


FIG. 6

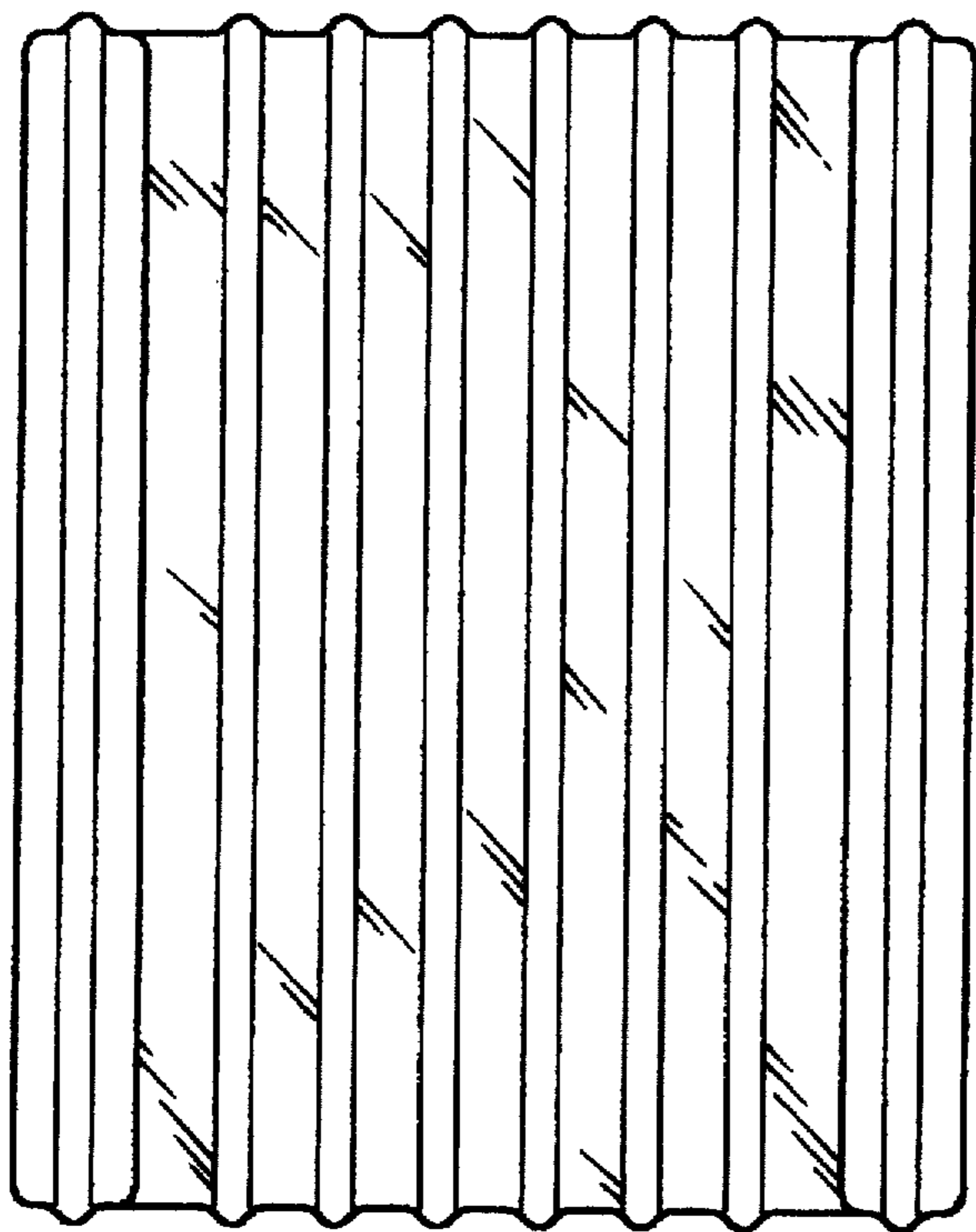


FIG. 7