



US00D386028S

United States Patent [19]
Schneider

[11] **Patent Number: Des. 386,028**

[45] **Date of Patent: **Nov. 11, 1997**

[54] **TOILET TISSUE HOLDER**

[76] **Inventor: David L. Schneider, 261 Pfrimmers
Chaple Rd., SE., Corydon, Ind. 47112**

[**] **Term: 14 Years**

[21] **Appl. No.: 57,465**

[22] **Filed: Jul. 25, 1996**

[51] **LOC (6) Cl. 07-07**

[52] **U.S. Cl. D6/520; D6/523**

[58] **Field of Search D6/518-523; 242/560,
242/570, 590, 597, 597.7, 600; 248/205.1,
213.2, 214, 218.4, 309.1, 309.2, 905; 312/34.8,
34.22**

[56] **References Cited**

U.S. PATENT DOCUMENTS

D. 137,391	2/1944	Belshaw	D6/521
D. 229,805	1/1974	James	D6/520
D. 238,459	1/1976	Bauman	D6/521
D. 238,461	1/1976	Bauman	D6/521
D. 238,463	1/1976	Bauman	D6/521

D. 238,465	1/1976	Bauman	D6/521
D. 238,467	1/1976	Bauman	D6/521
1,224,106	4/1917	Good	.	
2,562,923	8/1951	Kolivoski	.	
3,370,805	2/1968	Barbee	.	

Primary Examiner—Brian N. Vinson
Attorney, Agent, or Firm—Middleton & Reutlinger; David
W. Carrithers

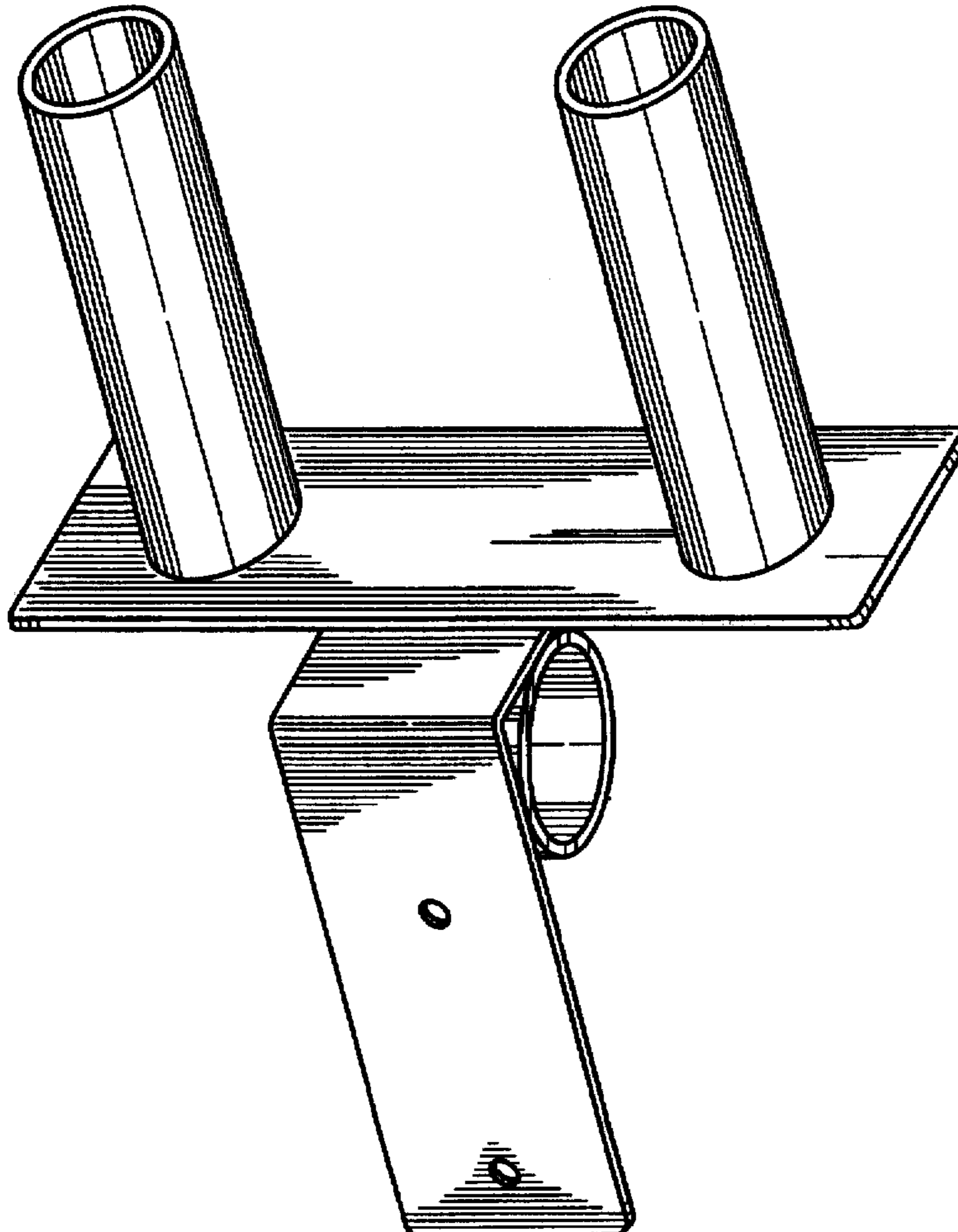
[57] **CLAIM**

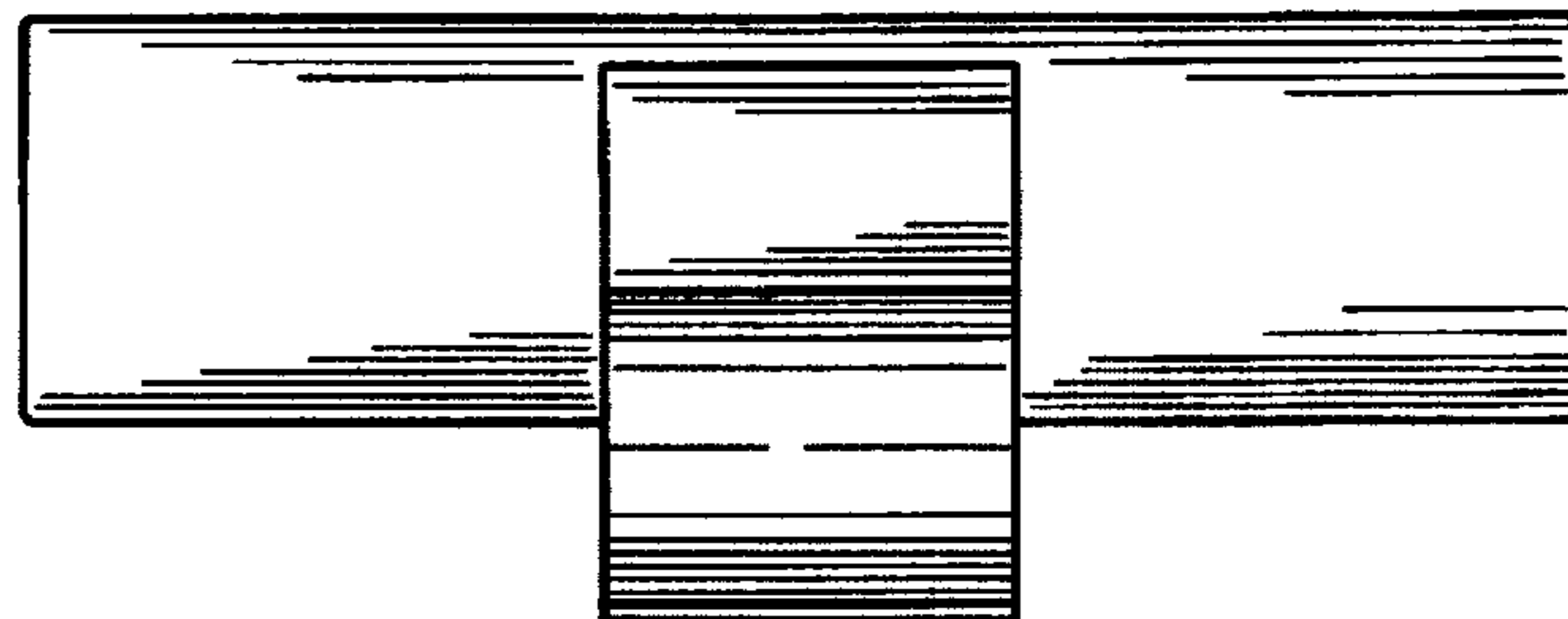
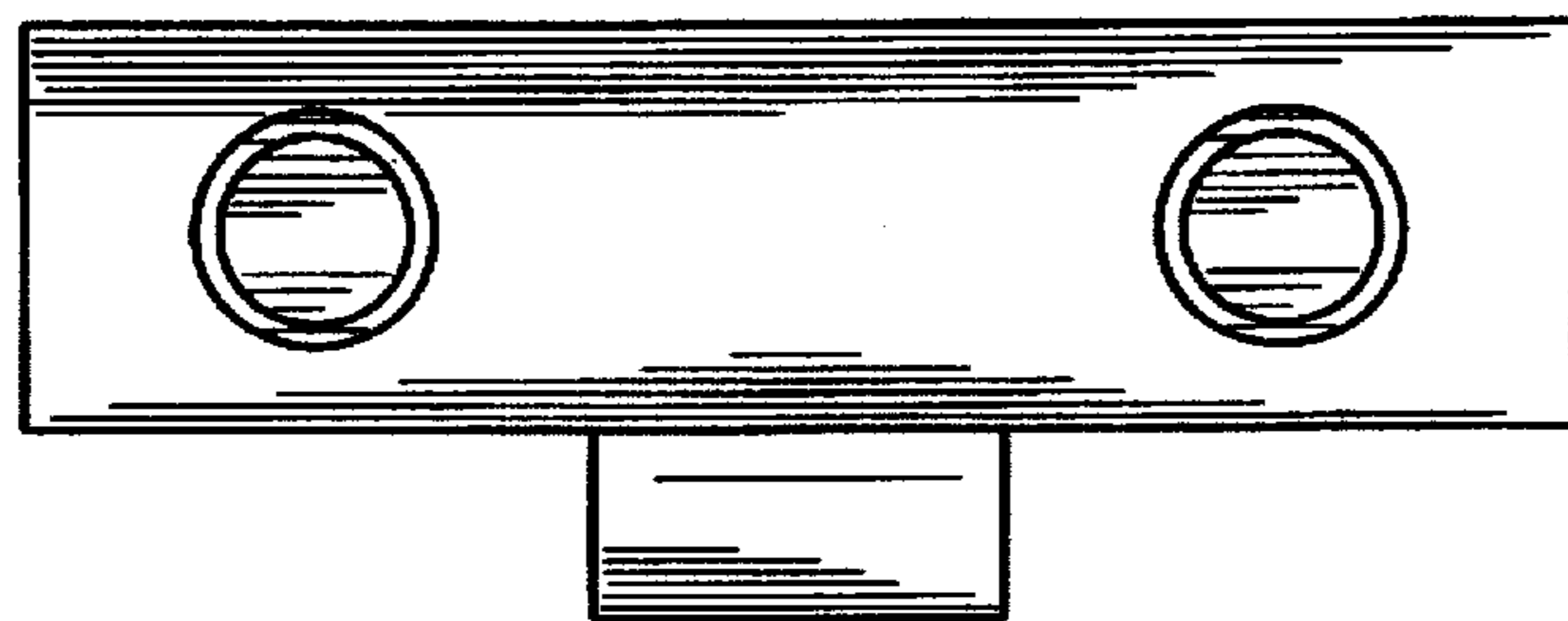
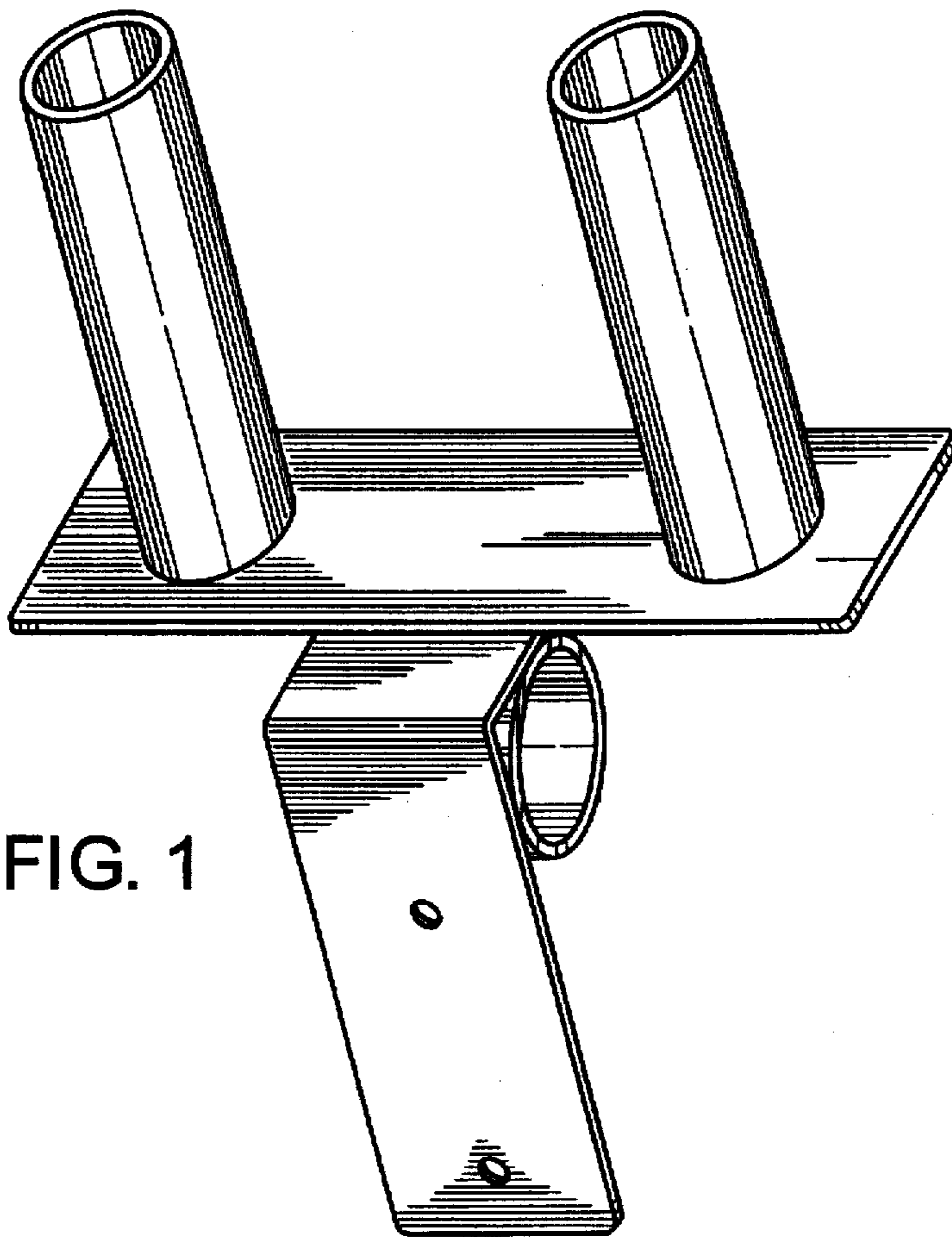
The ornamental design for a toilet tissue holder, as shown
and described.

DESCRIPTION

FIG. 1 is a rear perspective view of the toilet tissue holder
made in accordance with my design;
FIG. 2 is a top plan view thereof;
FIG. 3 is a bottom plan view thereof;
FIG. 4 is an elevational front view thereof;
FIG. 5 is an elevational rear view thereof;
FIG. 6 is an elevational left side view thereof; and,
FIG. 7 is an elevational right side view thereof.

1 Claim, 2 Drawing Sheets





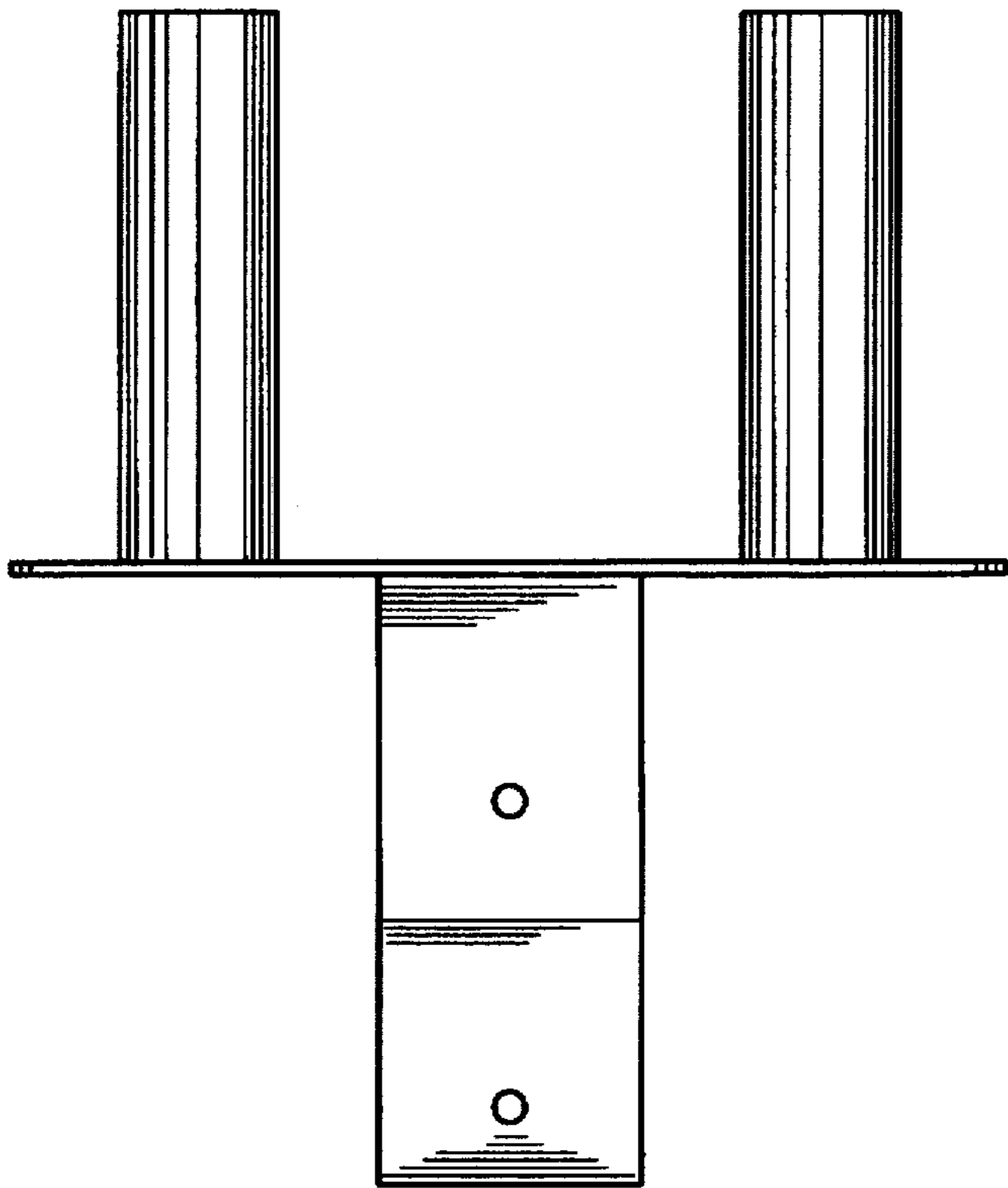


FIG. 4

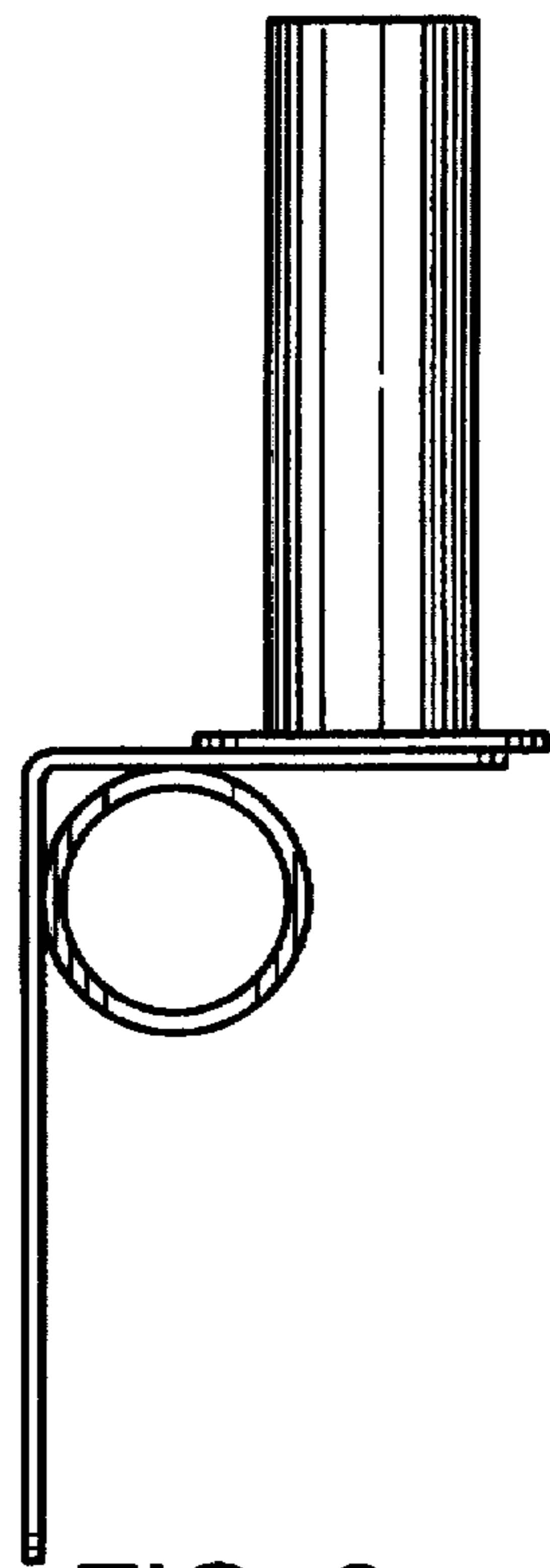


FIG. 6

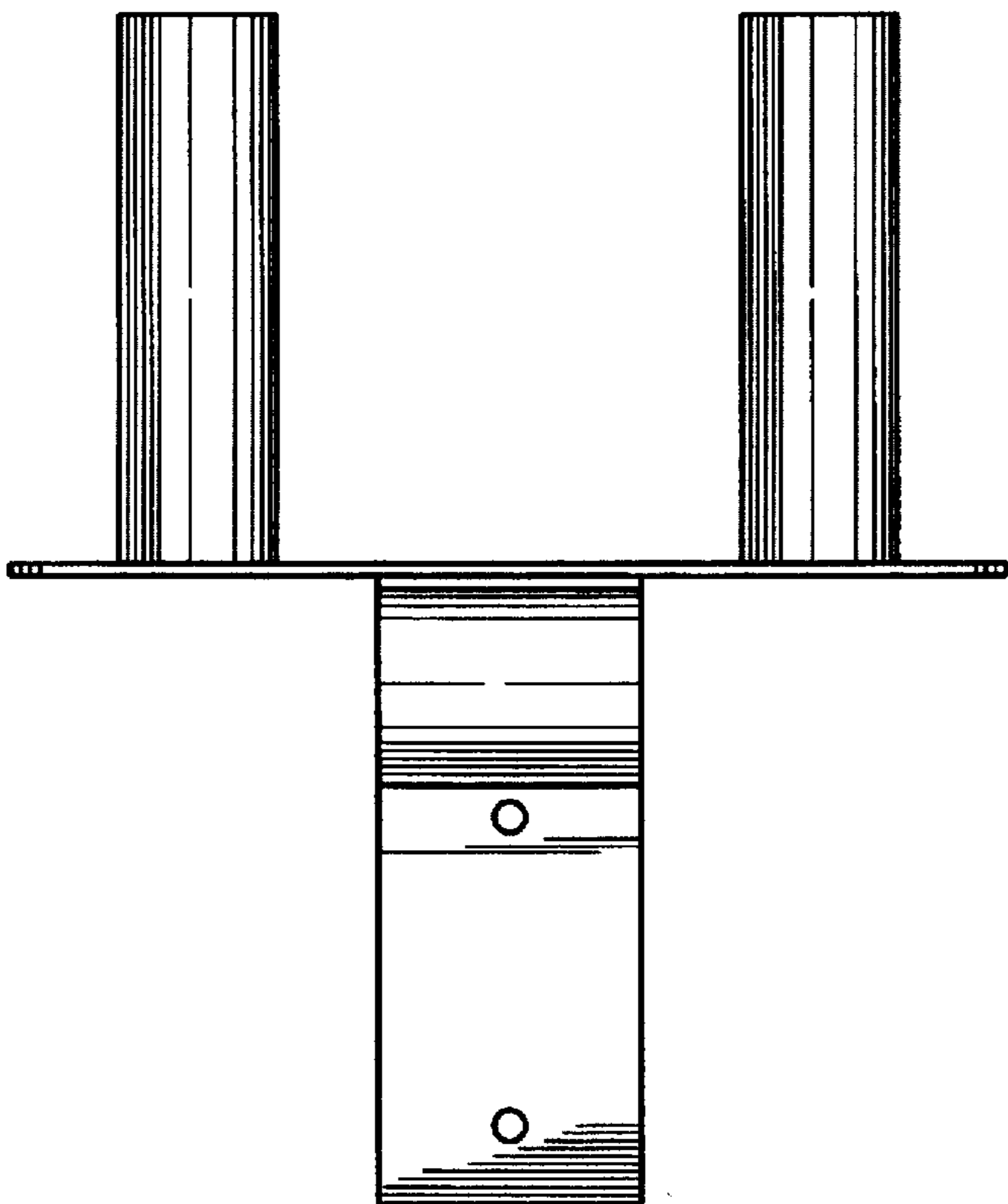


FIG. 5

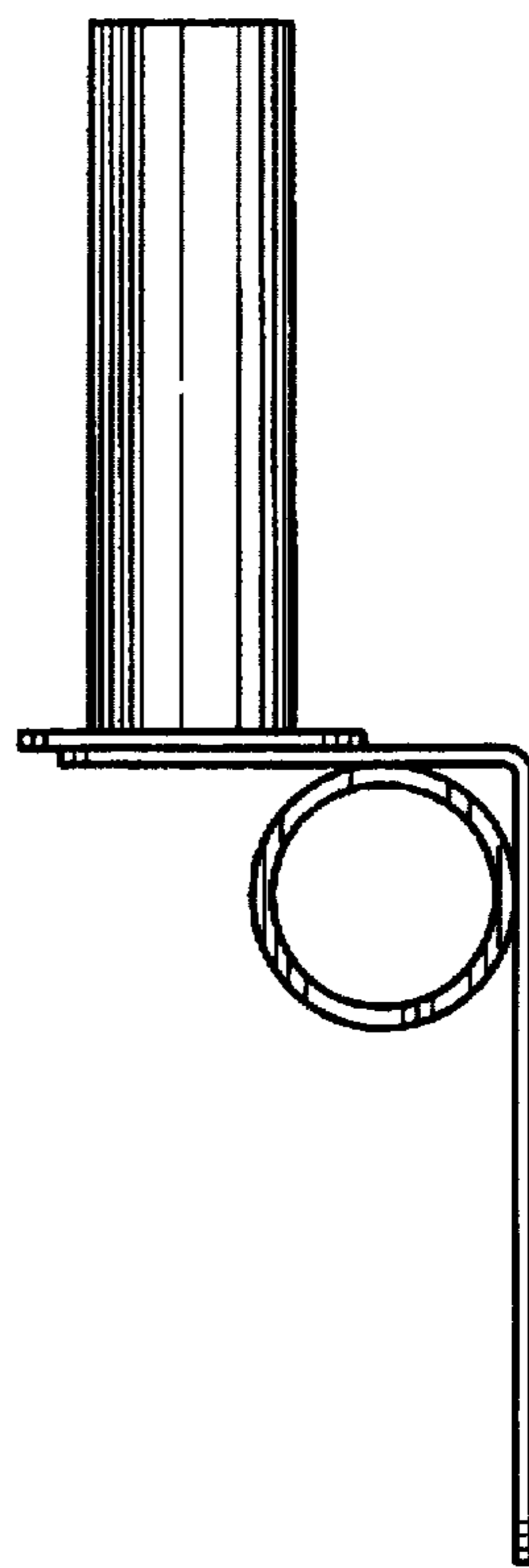


FIG. 7