



US00D386023S

# United States Patent [19]

Stumpf et al.

[11] Patent Number: Des. 386,023

[45] Date of Patent: \*\*Nov. 11, 1997

[54] SEAT AND BACK UNIT FOR A CHAIR

[75] Inventors: William E. Stumpf; Rodney C. Schoenfelder, both of Minneapolis, Minn.; Donald Chadwick, Los Angeles, Calif.; Carolyn Keller, Holland, Mich.

[73] Assignee: Herman Miller, Inc., Zeeland, Mich.

[\*\*] Term: 14 Years

[21] Appl. No.: 59,588

[22] Filed: Sep. 13, 1996

### Related U.S. Application Data

[60] Division of Ser. No. 30,013, Sep. 29, 1994, Pat. No. Des. 377,431, which is a continuation-in-part of Ser. No. 14,382, Oct. 20, 1993, abandoned, which is a continuation-in-part of Ser. No. 898,899, Jun. 15, 1992, Pat. No. Des. 346,279.

[51] LOC (6) Cl. 06-06

[52] U.S. Cl. D6/500; D6/369; D6/372

[58] Field of Search D6/334, 335, 364, D6/365, 366, 367, 369, 372, 379, 500, 501, 502; 297/452.13

D. 342,404	12/1993	Homann	D6/500
D. 346,279	4/1994	Stumpf et al.	D6/366
D. 349,826	8/1994	Homann	D6/500
2,859,801	11/1958	Moore	155/157
2,963,074	12/1960	Woodard	155/5
3,627,252	12/1971	Yamaguchi	248/384
3,936,094	2/1976	Conrad	297/328
3,947,068	3/1976	Buhk	297/445
4,036,524	7/1977	Takamatsu	297/219
4,152,023	5/1979	Buhk	297/452
4,429,917	2/1984	Diffrient	297/300
4,529,247	7/1985	Stumpf et al.	297/301
4,641,885	2/1987	Bräuning	297/300
4,685,733	8/1987	Machate et al.	297/284
4,707,029	11/1987	Korn	297/300
4,709,962	12/1987	Steinmann	297/301
4,711,491	12/1987	Ginat	297/301
4,744,600	5/1988	Inoue	297/326
4,758,045	7/1988	Edel et al.	297/300
4,776,633	10/1988	Knoblock	297/300
4,796,950	1/1989	Mrotz, III et al.	297/302
4,818,019	4/1989	Mrotz, III	297/303
4,889,385	12/1989	Chadwick et al.	297/302
4,909,472	3/1990	Piretti	248/578
4,915,449	4/1990	Piretti	297/326
5,026,117	6/1991	Faiks	297/304
5,029,940	7/1991	Golynsky	297/301
5,080,318	1/1992	Takamatsu	248/598
5,114,211	5/1992	Desanta	297/301

### FOREIGN PATENT DOCUMENTS

80211449	11/1991	China
WO 93/25121	12/1993	WIPO

### OTHER PUBLICATIONS

*Interiors*, Dec., 1978, p. 48.  
*Interiors*, Aug., 1981, p. 21.  
*Industrial Design*, Jun., 1983, p. 23.  
Blueprint, Oct., 1994.

Primary Examiner—Gary D. Watson  
Attorney, Agent, or Firm—Brinks Hofer Gilson & Lione

### [57] CLAIM

The ornamental design for a seat and back unit for a chair, as shown and described.

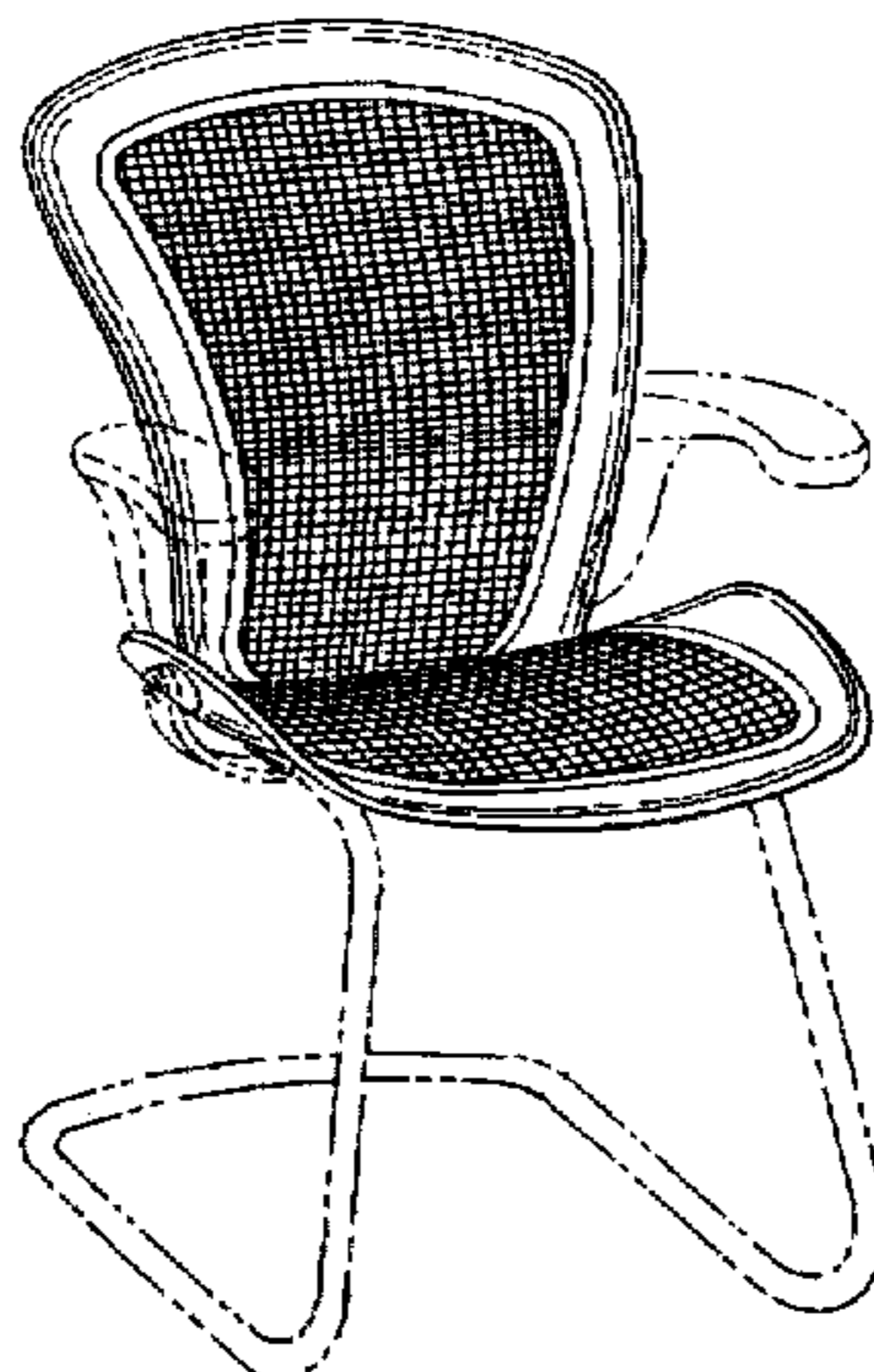
### DESCRIPTION

FIG. 1 is a perspective view of a seat and back unit for a

### [56] References Cited

#### U.S. PATENT DOCUMENTS

D. 130,925	12/1941	Roth	
D. 133,848	9/1942	Brodovitch	
D. 147,133	7/1947	Mankki	D15/1
D. 193,508	9/1962	Nakamura	D15/1
D. 208,301	8/1967	Richards	D6/369
D. 211,459	6/1968	Parker	D6/369
D. 217,863	6/1970	Parker	D15/1
D. 224,190	7/1972	Strässle	D6/65
D. 224,765	9/1972	Manning	D6/66
D. 267,990	2/1983	Buhk et al.	D6/31
D. 268,716	4/1983	Ochsner	D6/56
D. 269,142	5/1983	Umanoff	D6/56
D. 273,251	4/1984	Petitt	D6/31
D. 274,675	7/1984	Diffrient	D6/366
D. 294,434	3/1988	Zakharov	D6/360
D. 296,960	8/1988	Fenske	D6/366
D. 301,662	6/1989	Vonhausen	D6/366



chair;

FIG. 2 is a front view thereof;

FIG. 3 is a right side view thereof;

FIG. 4 is a left side view thereof;

FIG. 5 is a rear view thereof;

FIG. 6 is a top view thereof; and,

FIG. 7 is a bottom view thereof.

The broken line showing of a tubular frame and armrests in all figures is for environmental purposes only and forms no part of the claimed design.

**1 Claim, 4 Drawing Sheets**

FIG. 1

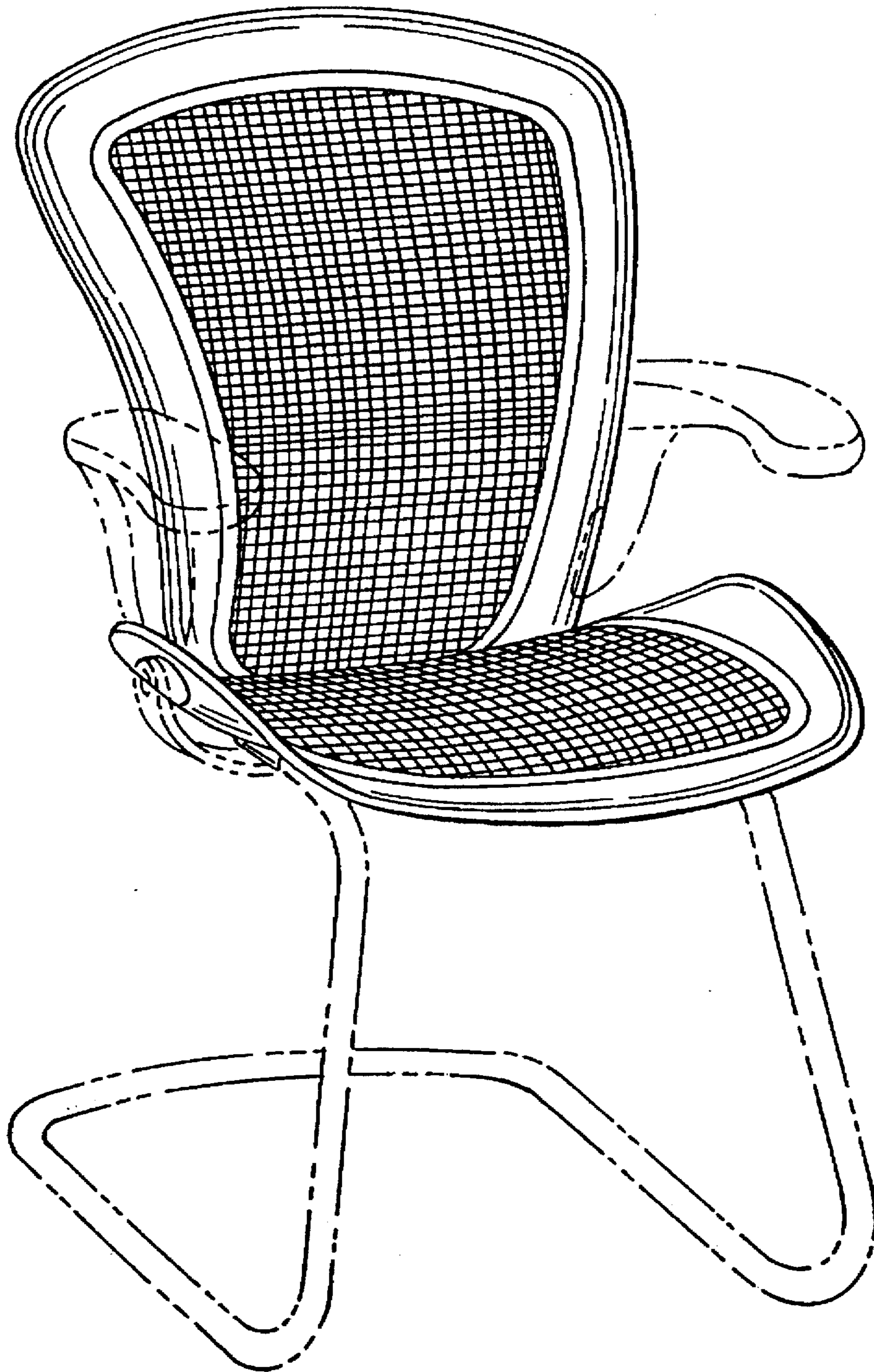


FIG.3

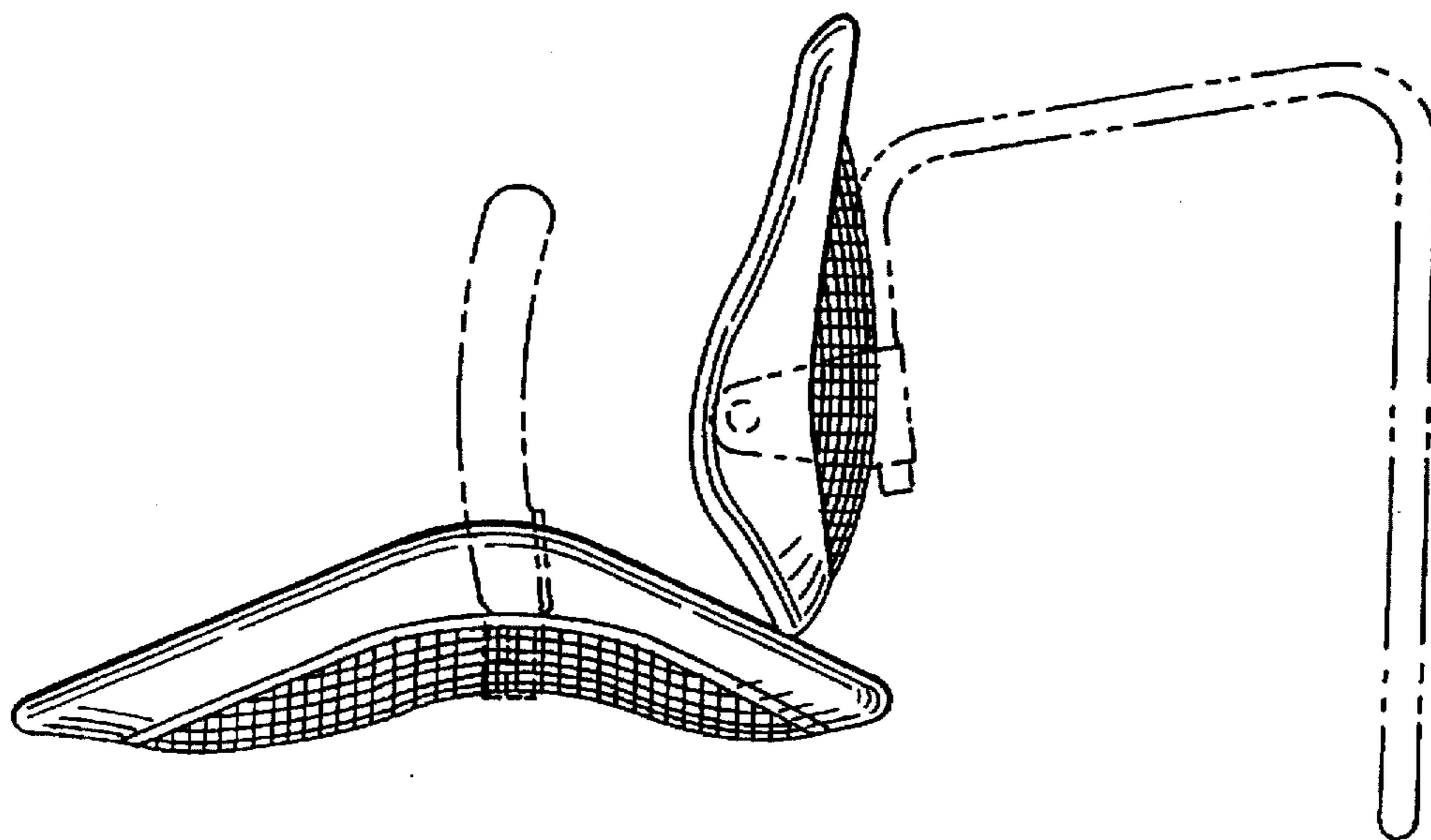


FIG.2

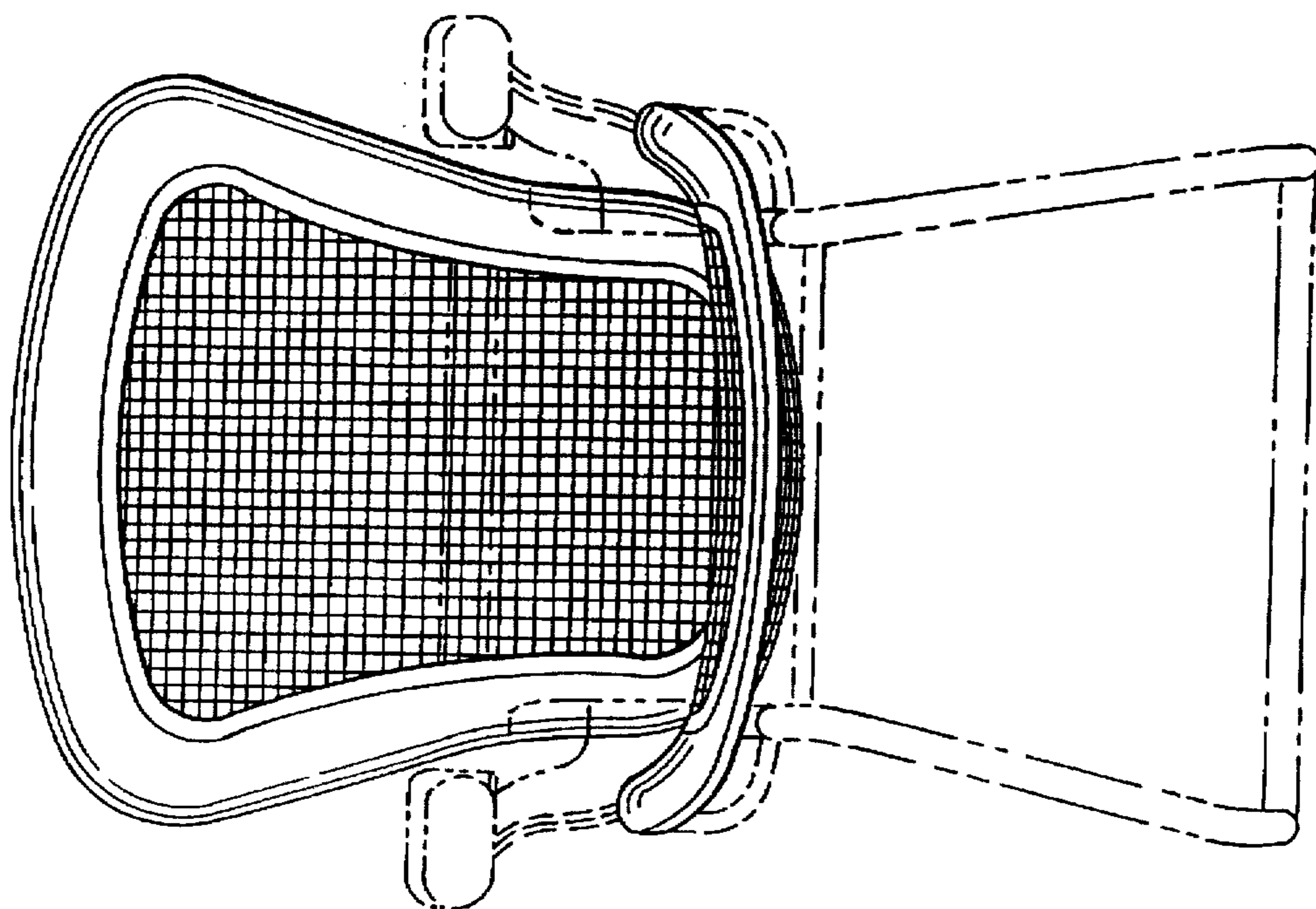


FIG.5

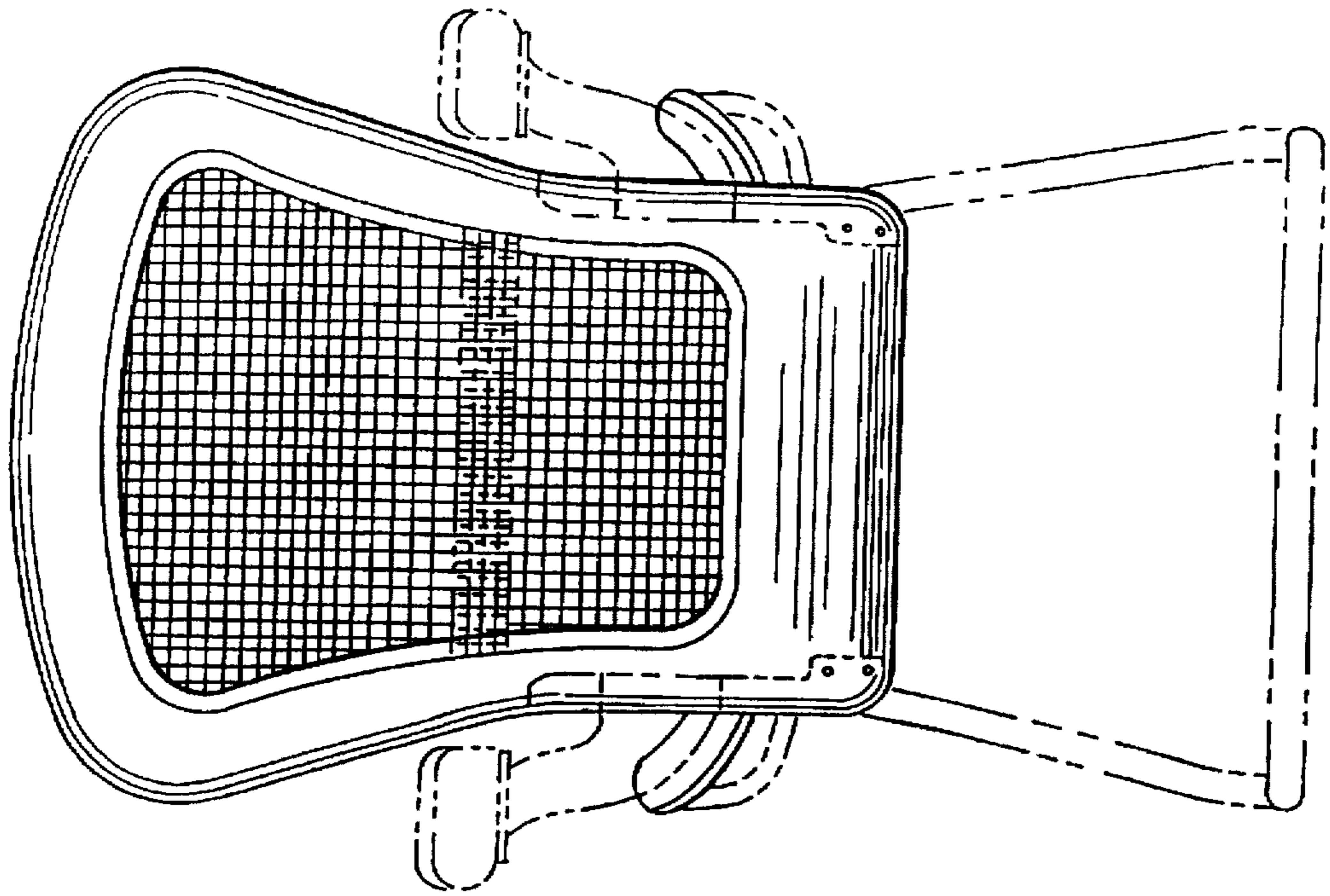


FIG.4

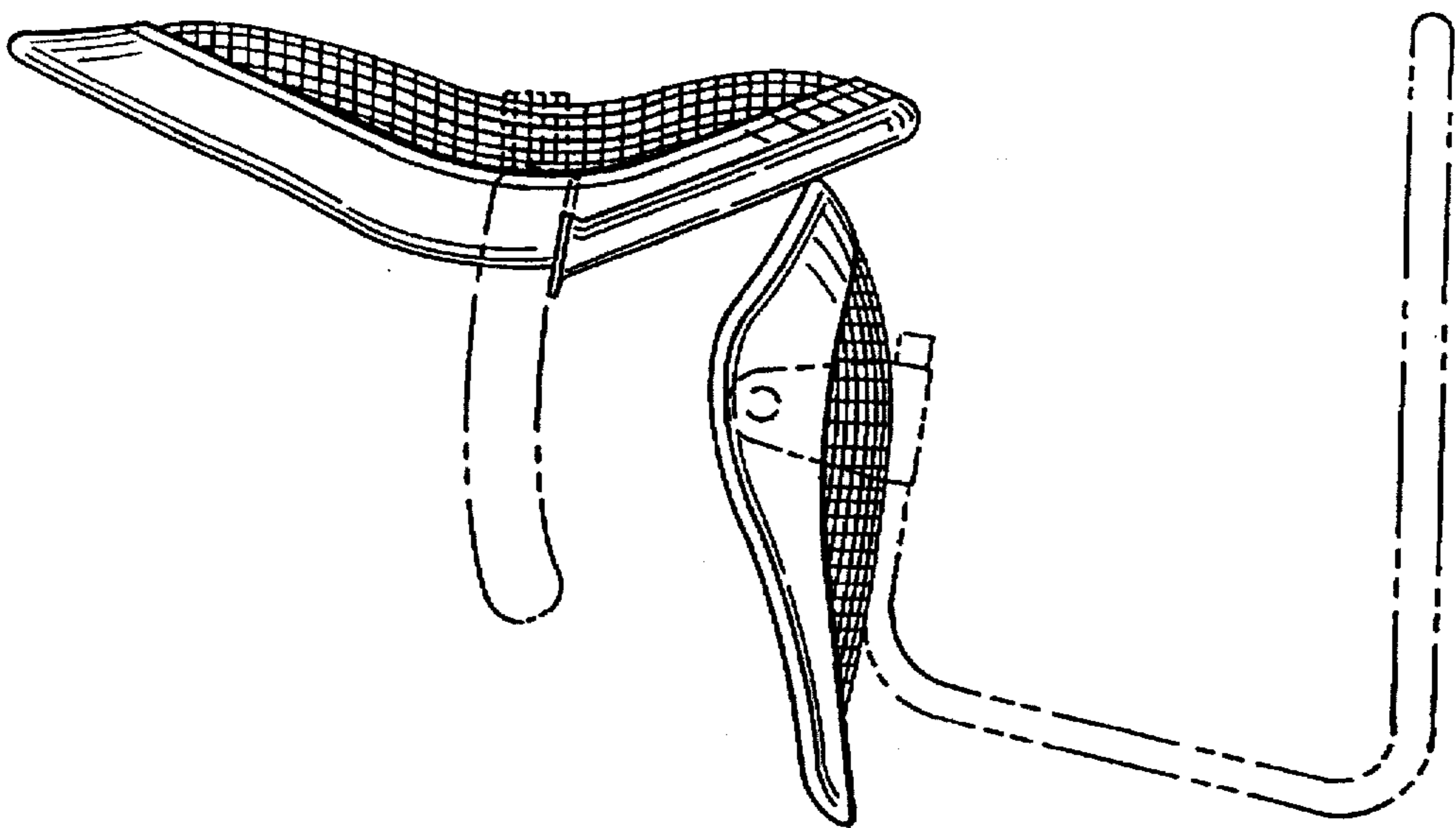


FIG. 6

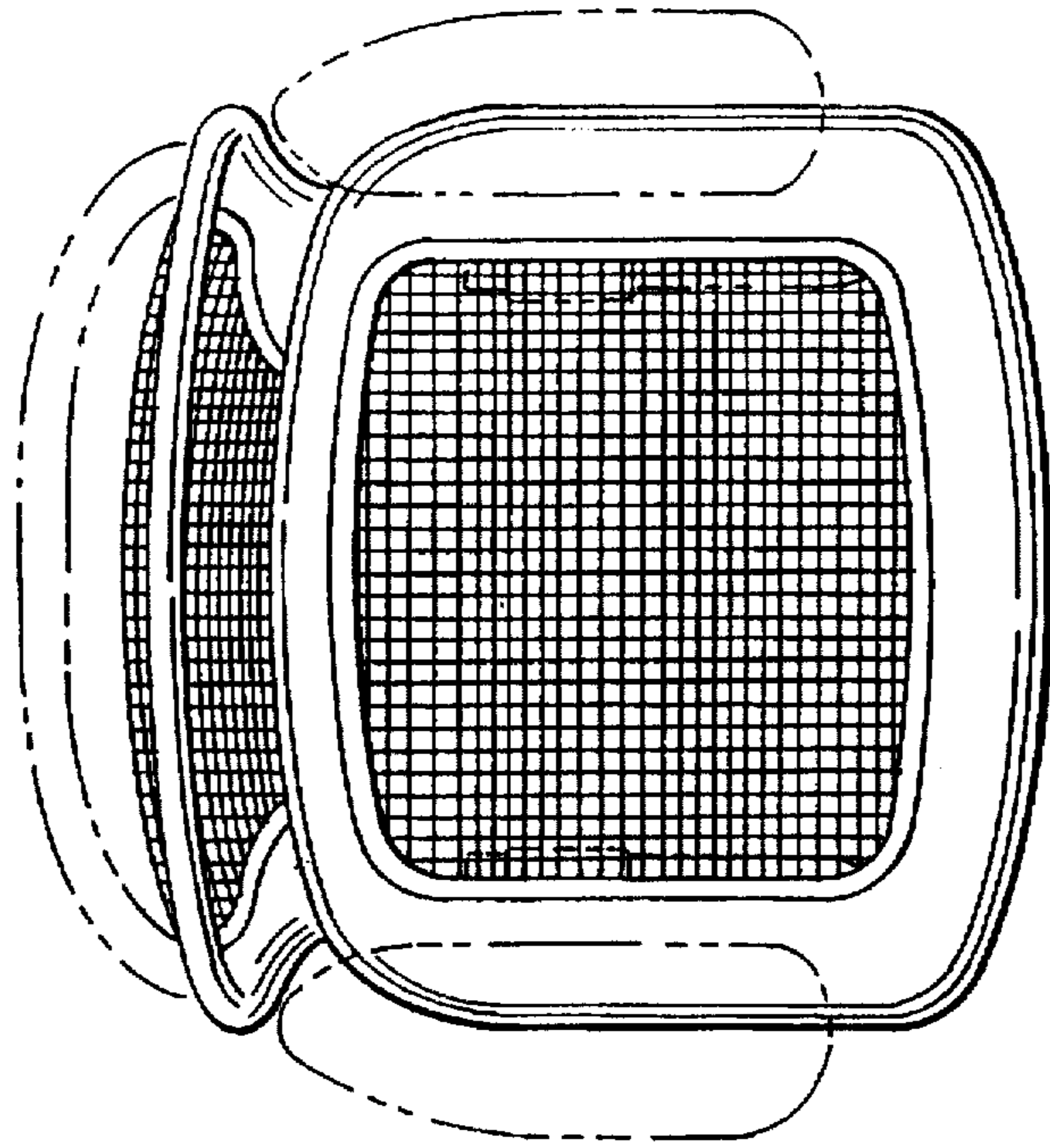


FIG. 7

