



US00D386020S

United States Patent [19] Grabowski

[11] Patent Number: Des. 386,020

[45] Date of Patent: **Nov. 11, 1997

[54] DESK UNIT

[75] Inventor: Daniel Grabowski, Grand Rapids, Mich.

[73] Assignee: Steelcase Inc., Grand Rapids, Mich.

[**] Term: 14 Years

[21] Appl. No.: 42,190

[22] Filed: Aug. 3, 1995

[51] LOC (6) CL 06-03

[52] U.S. Cl. D6/480

[58] Field of Search D6/480-489, 495,
D6/423, 422, 428, 430; 108/64, 153, 156,
157, 161, 91-95

[56] References Cited

U.S. PATENT DOCUMENTS

D. 205,291	7/1966	Klein et al.	D6/430
D. 243,983	4/1977	Carter	D6/484
D. 331,678	12/1992	McCann, Jr.	D6/482
1,613,696	1/1927	Farris	108/93 X
1,942,287	1/1934	Heitz	108/90 X
3,192,884	7/1965	Hamilton	108/92

OTHER PUBLICATIONS

Fine Arts Furn. Co. p. 30, #1193 nest of tables at bottom of page.

Primary Examiner—Janice E. Seeger

Attorney, Agent, or Firm—Price, Heneveld, Cooper, DeWitt & Litton

[57] CLAIM

The ornamental design for the desk unit, as shown and described.

DESCRIPTION

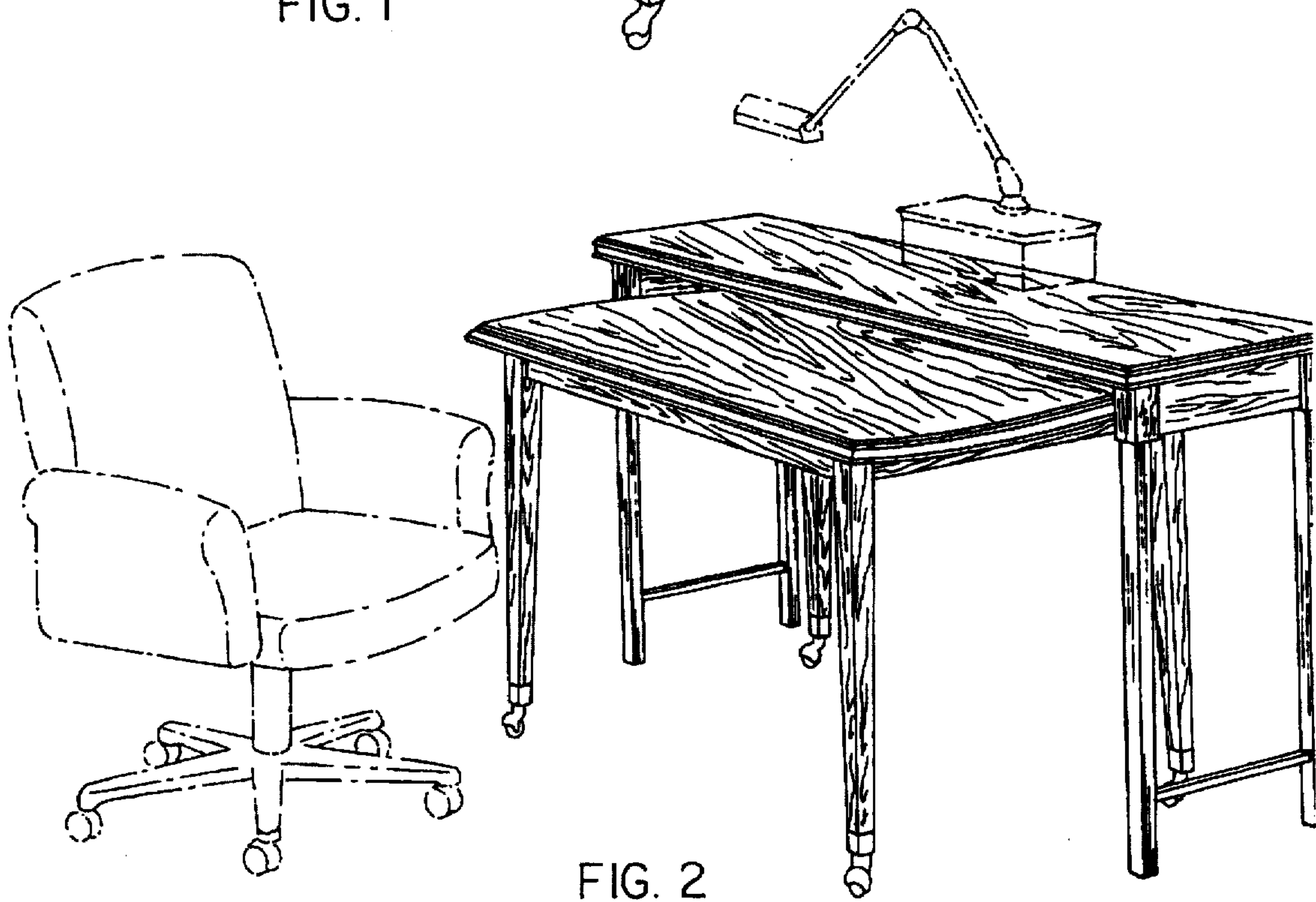
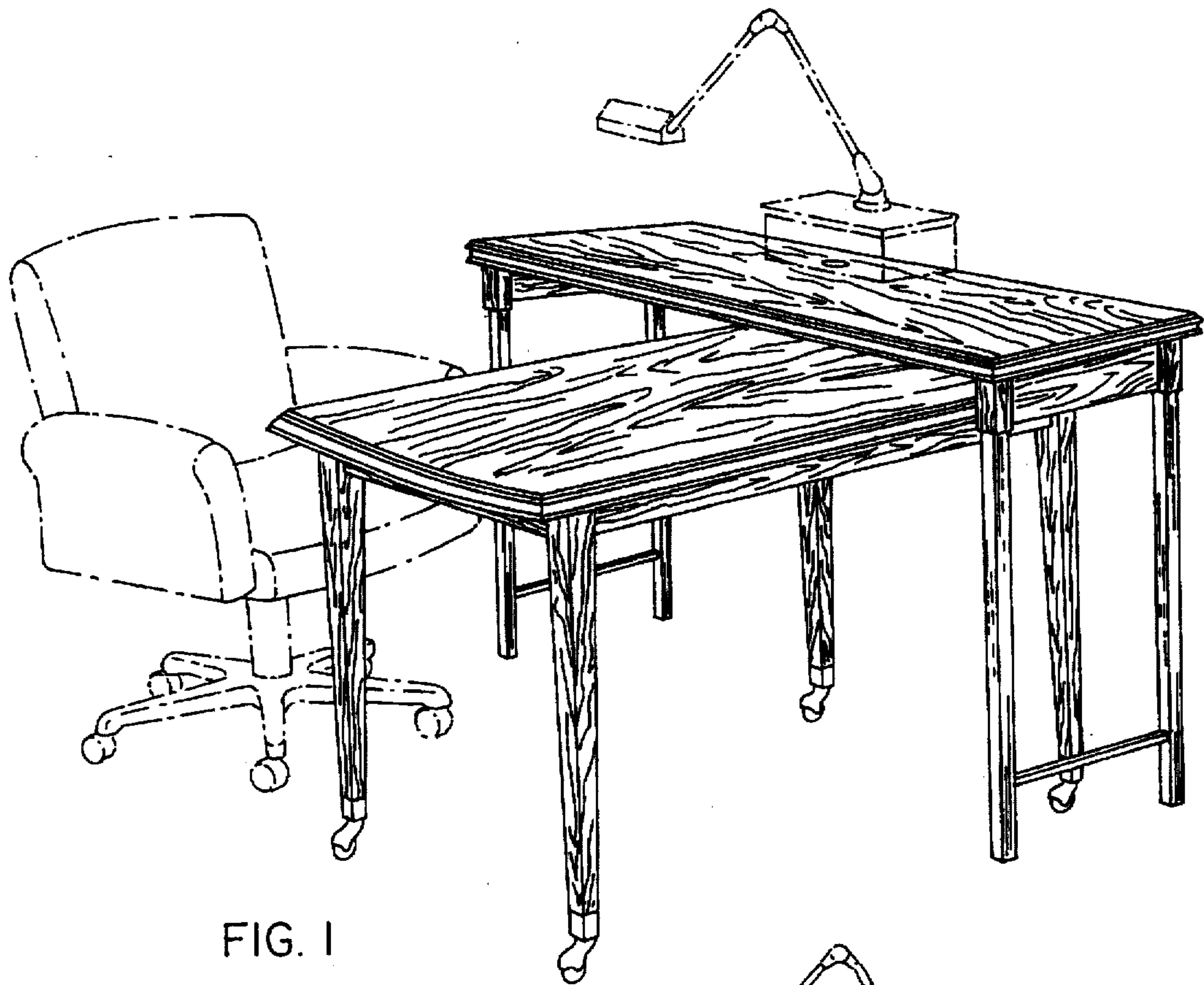
FIG. 1 is a front perspective view showing nested tables of my new desk unit arranged in a first configuration; FIG. 2 is a front perspective view of the nested tables arranged in an alternative configuration; FIG. 3 is a front perspective view of the taller of the nested tables; FIG. 4 is a front perspective view of the shorter of the nested tables; FIG. 5 is a top plan view of the table shown in FIG. 4; FIG. 6 is a front elevational view of the tables shown in FIG. 4. The rear elevational view being a mirror image of that shown; FIG. 7 is a right side elevational view of the tables shown in FIG. 4, the left side elevational view being a mirror image of that shown; FIG. 8 is a right side elevational view of the tables shown in FIG. 3, the left side elevational view being a mirror image of that shown; FIG. 9 is a top plan view of the tables shown in FIG. 3; FIG. 10 is a rear elevational view of the tables shown in FIG. 3; and, FIG. 11 is a front elevational view of the tables shown in FIG. 3.

The broken lines in the drawings are for illustrative purposes only and form now part of the claimed design.

FIGS. 3-11 show the tables of the desk unit separately for clarity of illustration.

1 Claim, 6 Drawing Sheets





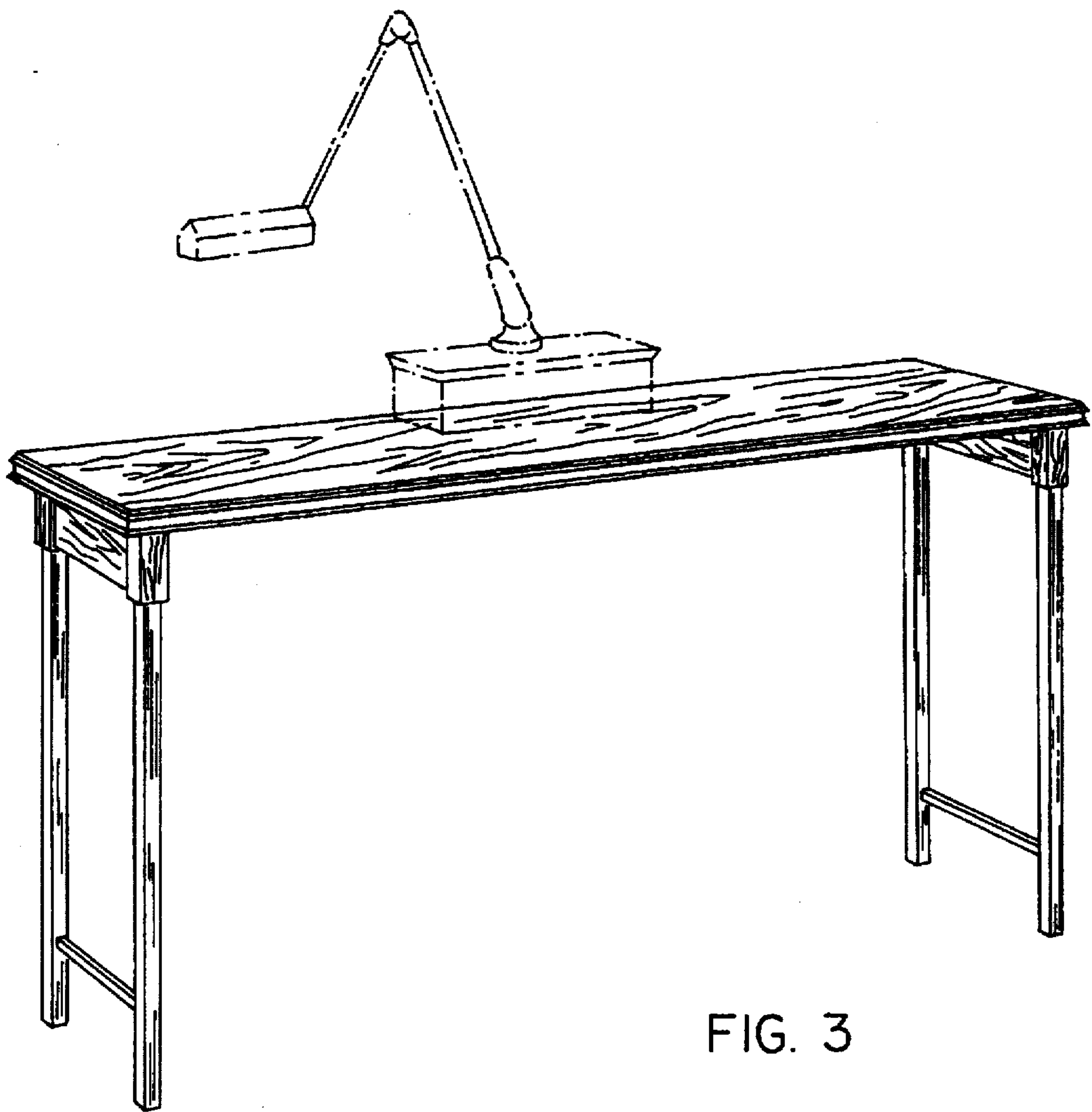


FIG. 3

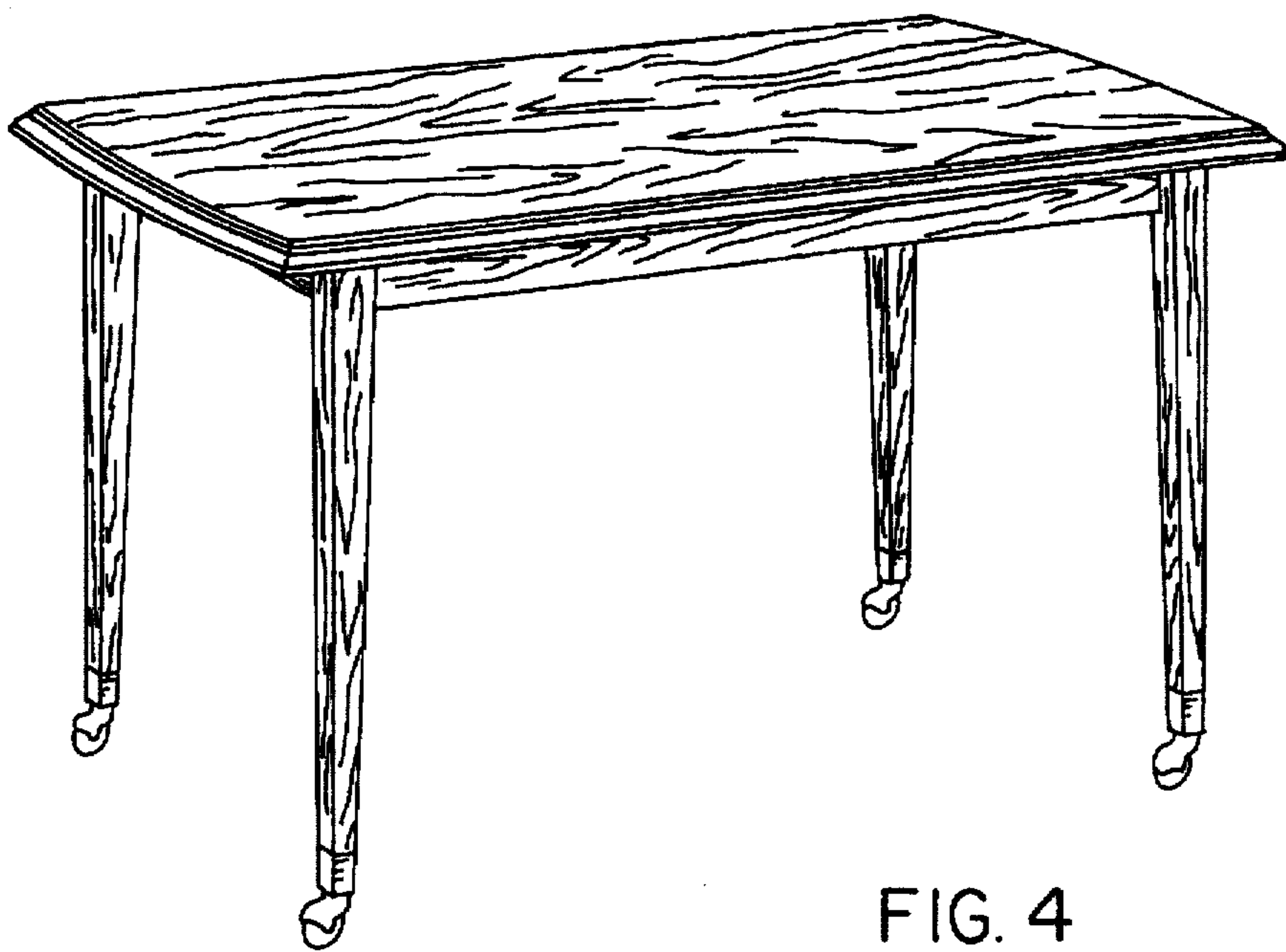


FIG. 4

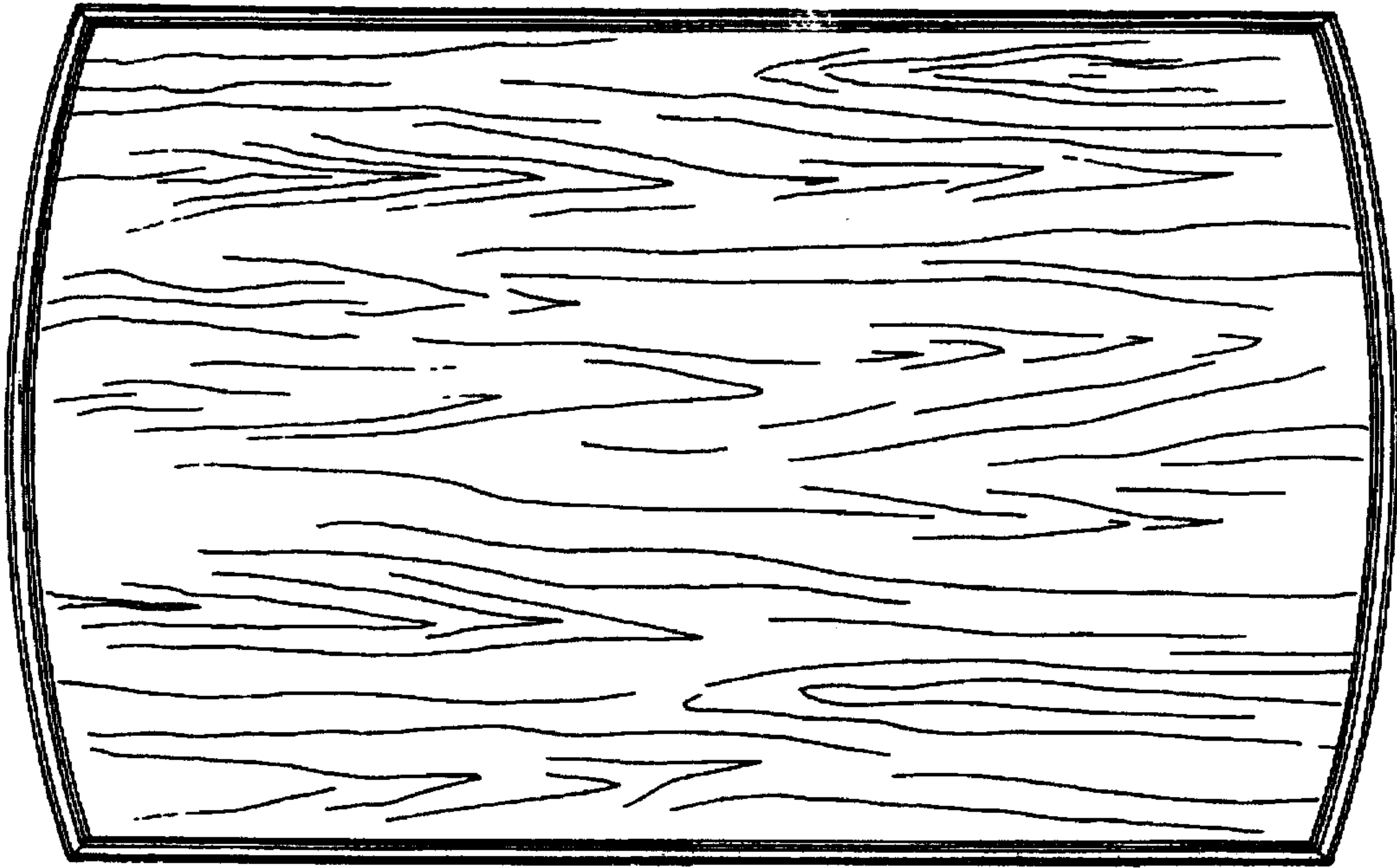


FIG. 5

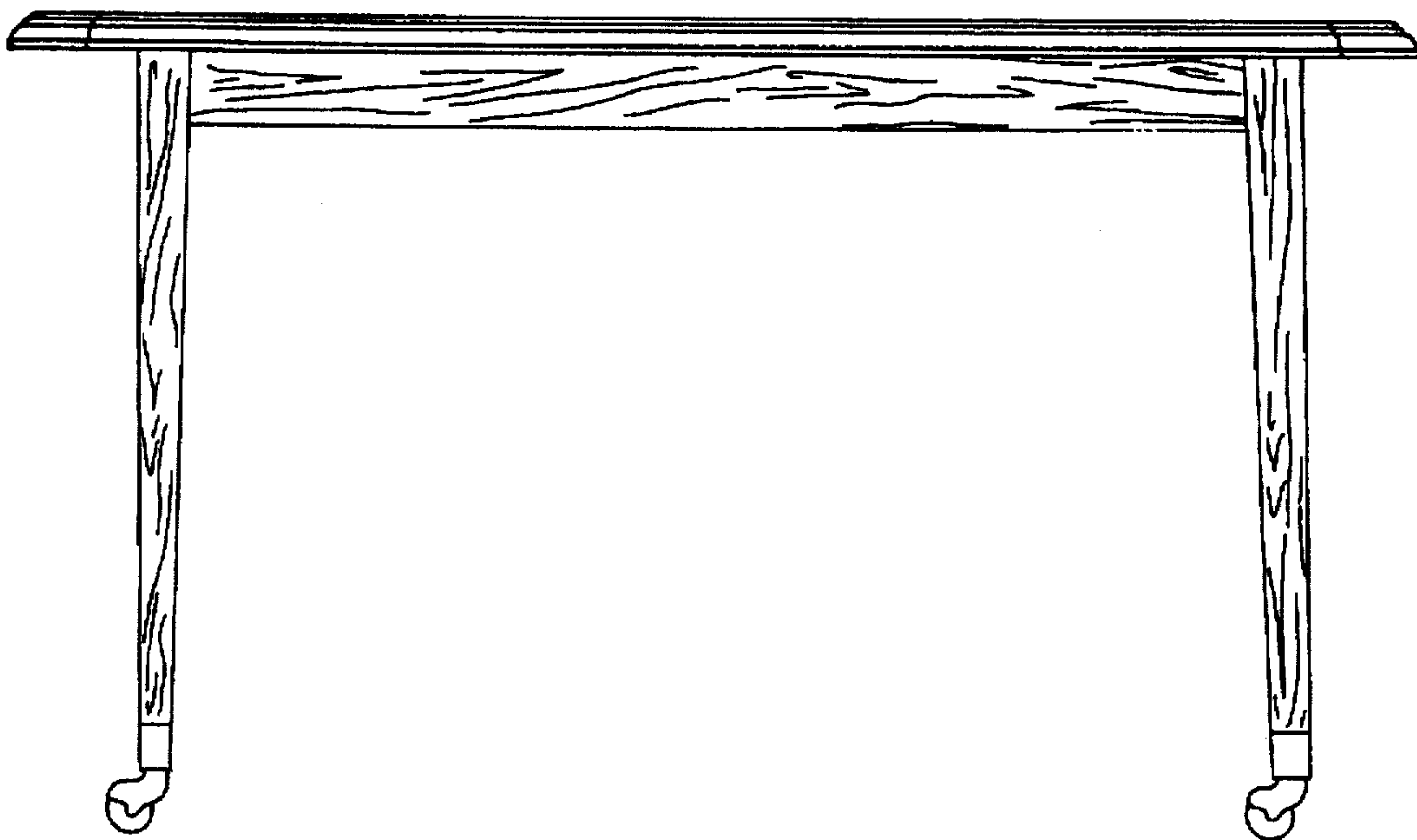


FIG. 6

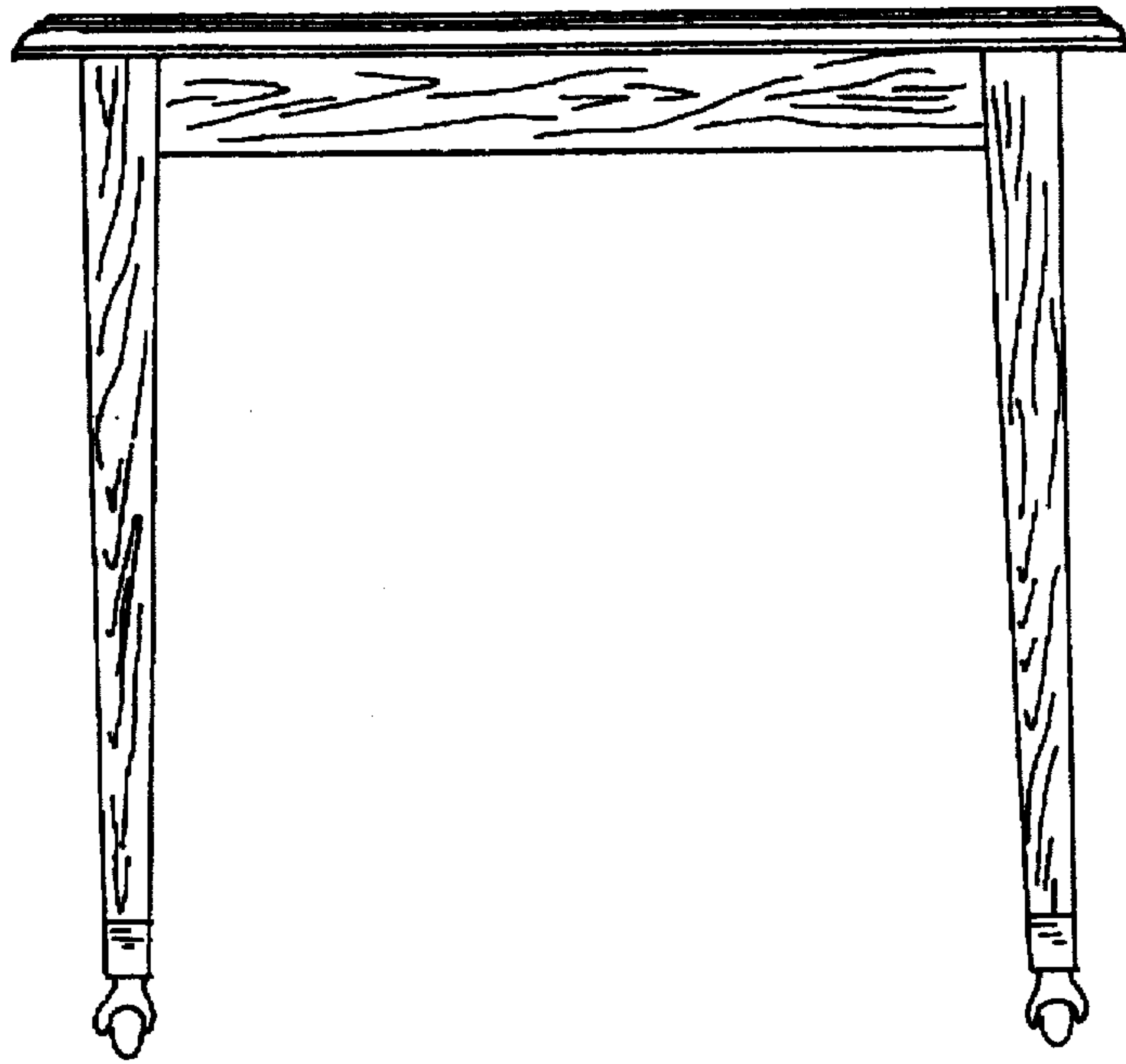


FIG. 7

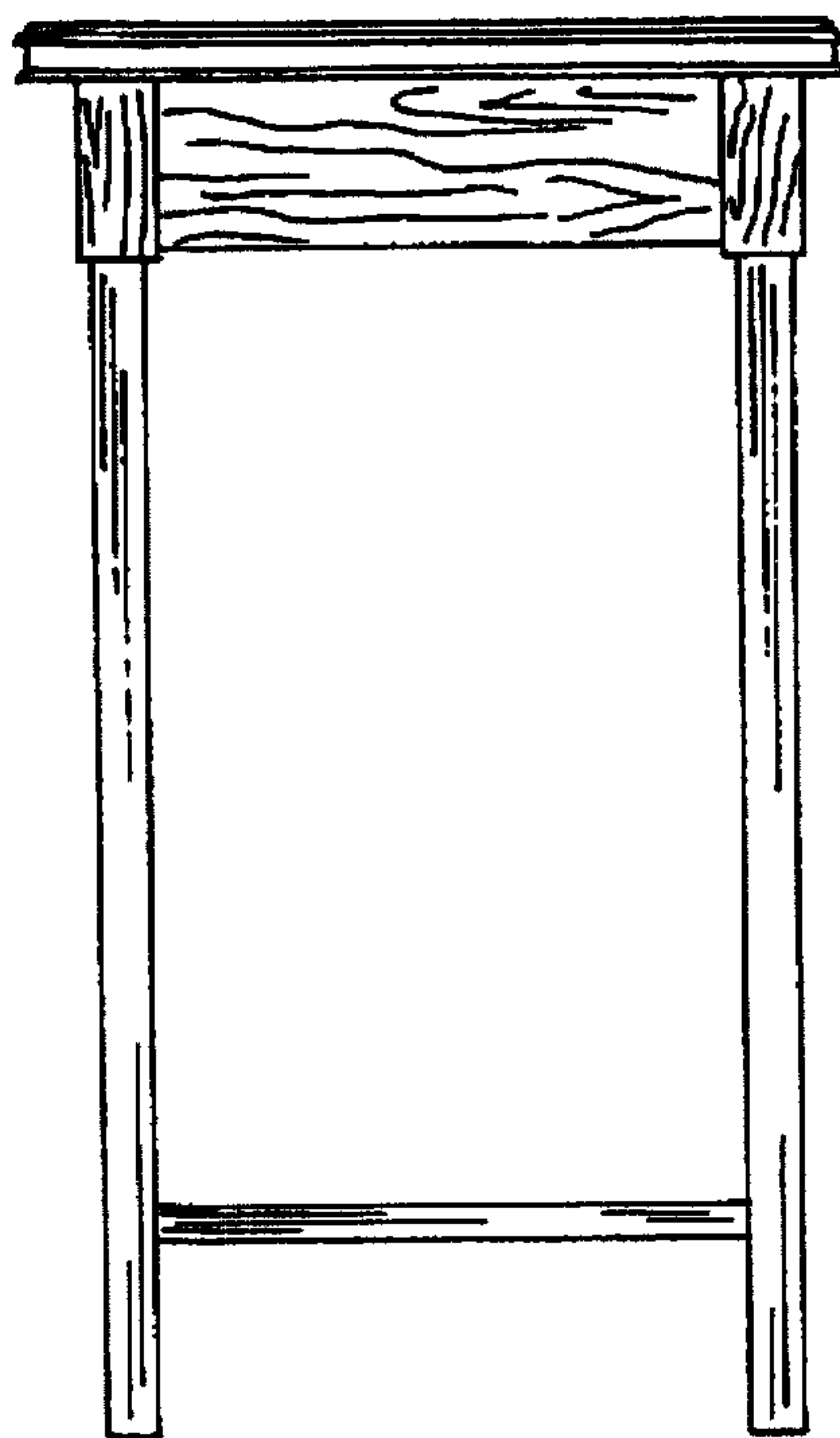


FIG. 8

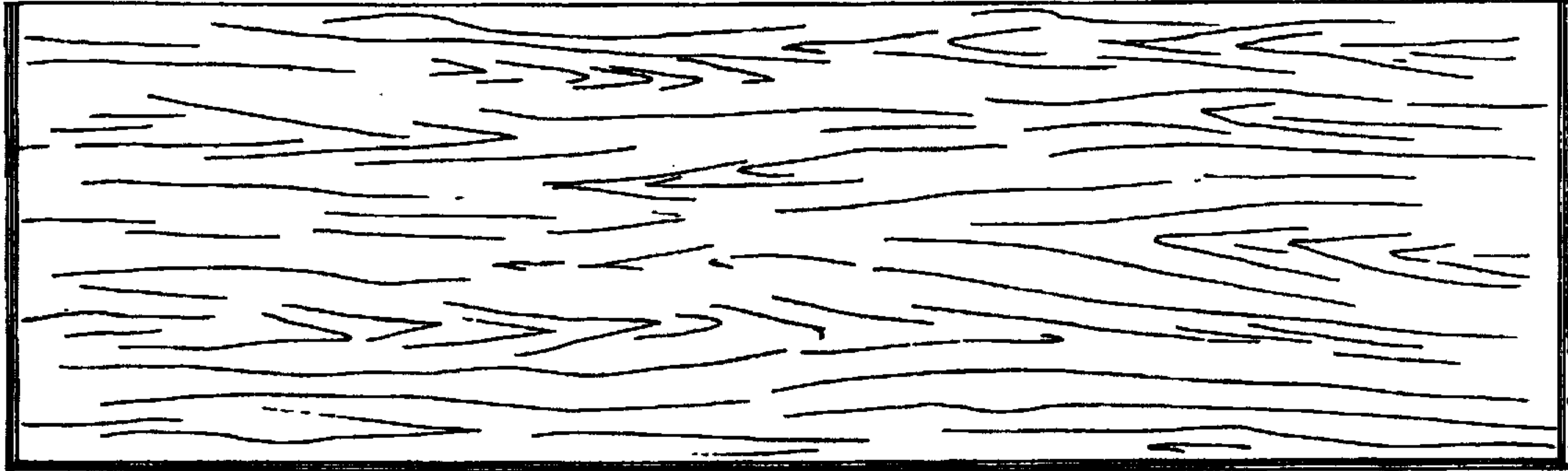


FIG. 9

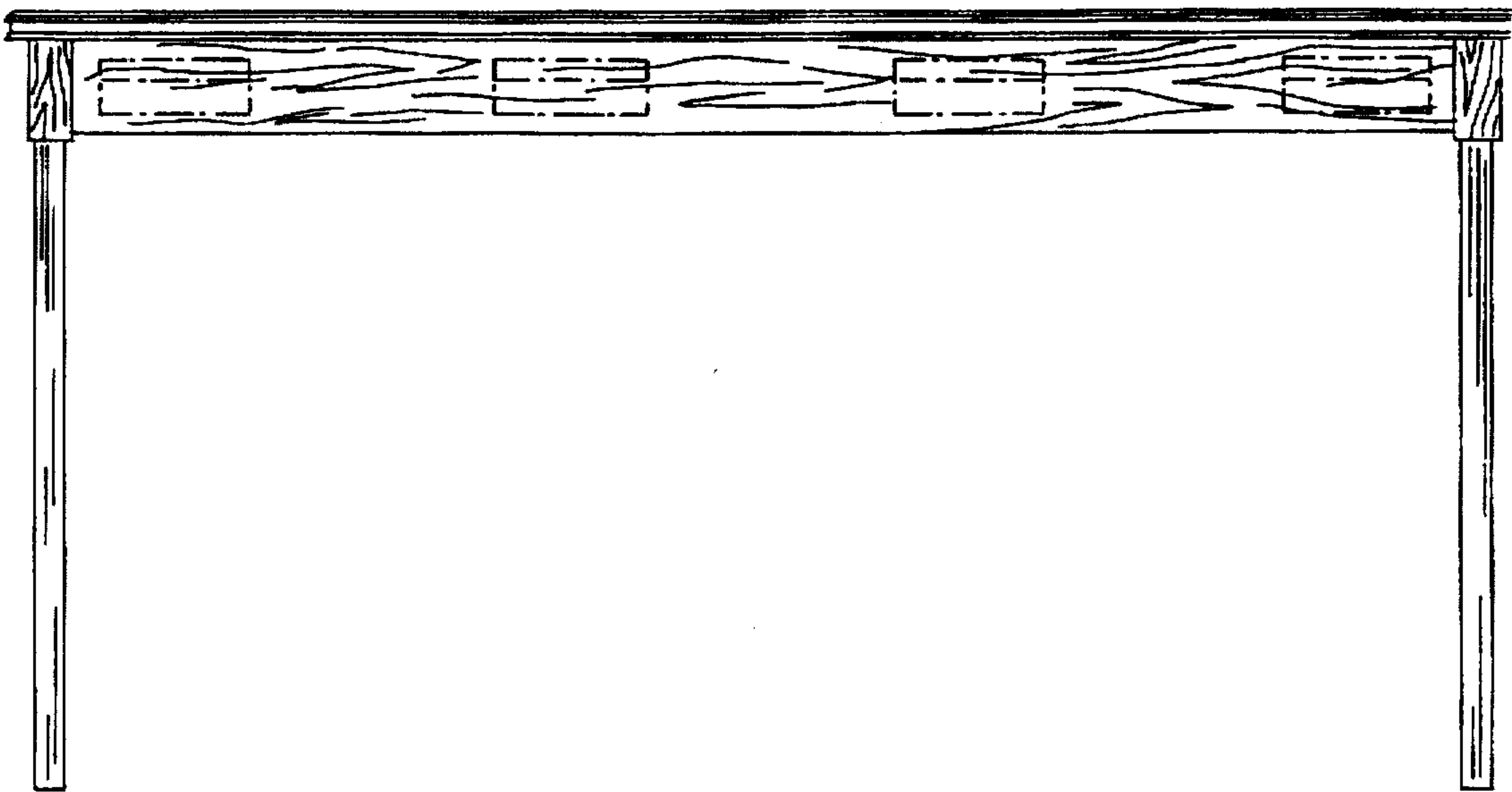


FIG. 10

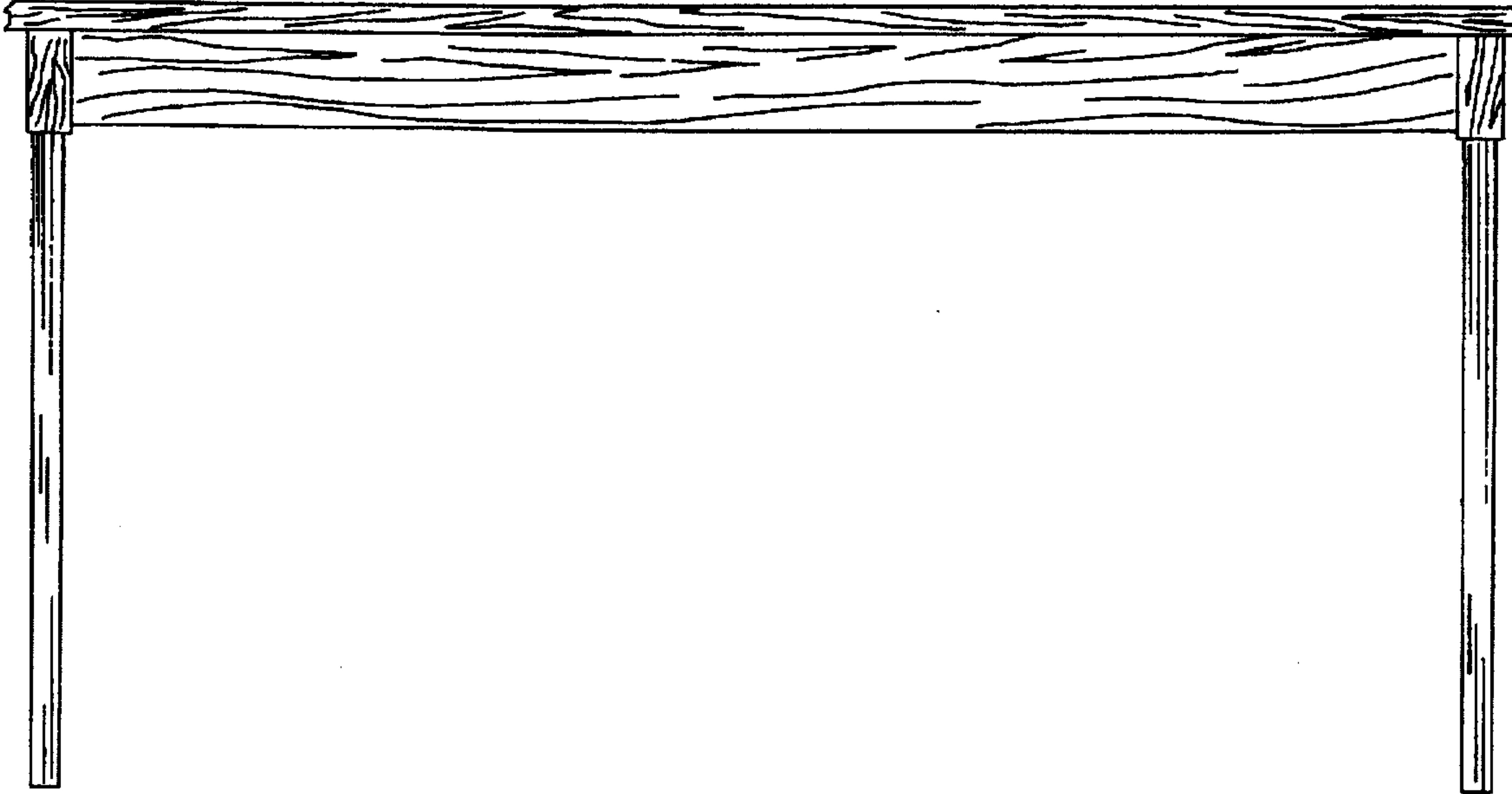


FIG. II