



US00D386019S

# United States Patent [19]

Grosfillex

[11] Patent Number: **Des. 386,019**

[45] Date of Patent: **\*\*\*Nov. 11, 1997**

[54] **MULTI-TIERED STAND**

[75] Inventor: **Raymond Grosfillex**, Oyonnax, France

[73] Assignee: **Grosfillex Sarl**, Oyonnax, France

[\*] Notice: The portion of the term of this patent subsequent to Sep. 16, 2011, has been disclaimed.

[\*\*] Term: **14 Years**

[21] Appl. No.: **53,512**

[22] Filed: **May 10, 1996**

[30] **Foreign Application Priority Data**

Nov. 10, 1995 [WO] WIPO ..... DMA/003138

[51] LOC (6) Cl. .... **06-04**

[52] U.S. Cl. .... **D6/479**

[58] Field of Search ..... D6/479, 477; 108/59, 108/91, 106, 180, 153; 211/134, 135, 187, 188

[56] **References Cited**

**U.S. PATENT DOCUMENTS**

D. 303,596	9/1989	Goetz	.....	D6/479
D. 355,798	2/1995	Goetz	.....	D6/479
D. 362,138	9/1995	Sagol	.....	D6/479
D. 367,784	3/1996	Goetz	.....	D6/479
D. 368,397	4/1996	Weberg	.....	D6/479
2,982,424	5/1961	Van Syoc, Sr.	.....	108/59 X
3,272,582	9/1966	Anderson et al.	.....	108/59
3,964,810	6/1976	Murphy	.....	211/188 X
4,930,643	6/1990	Flum	.....	211/188
5,463,966	11/1995	Nilsson	.....	108/144 X

*Primary Examiner*—James Gandy  
*Assistant Examiner*—Linda Brooks  
*Attorney, Agent, or Firm*—Dowell & Dowell

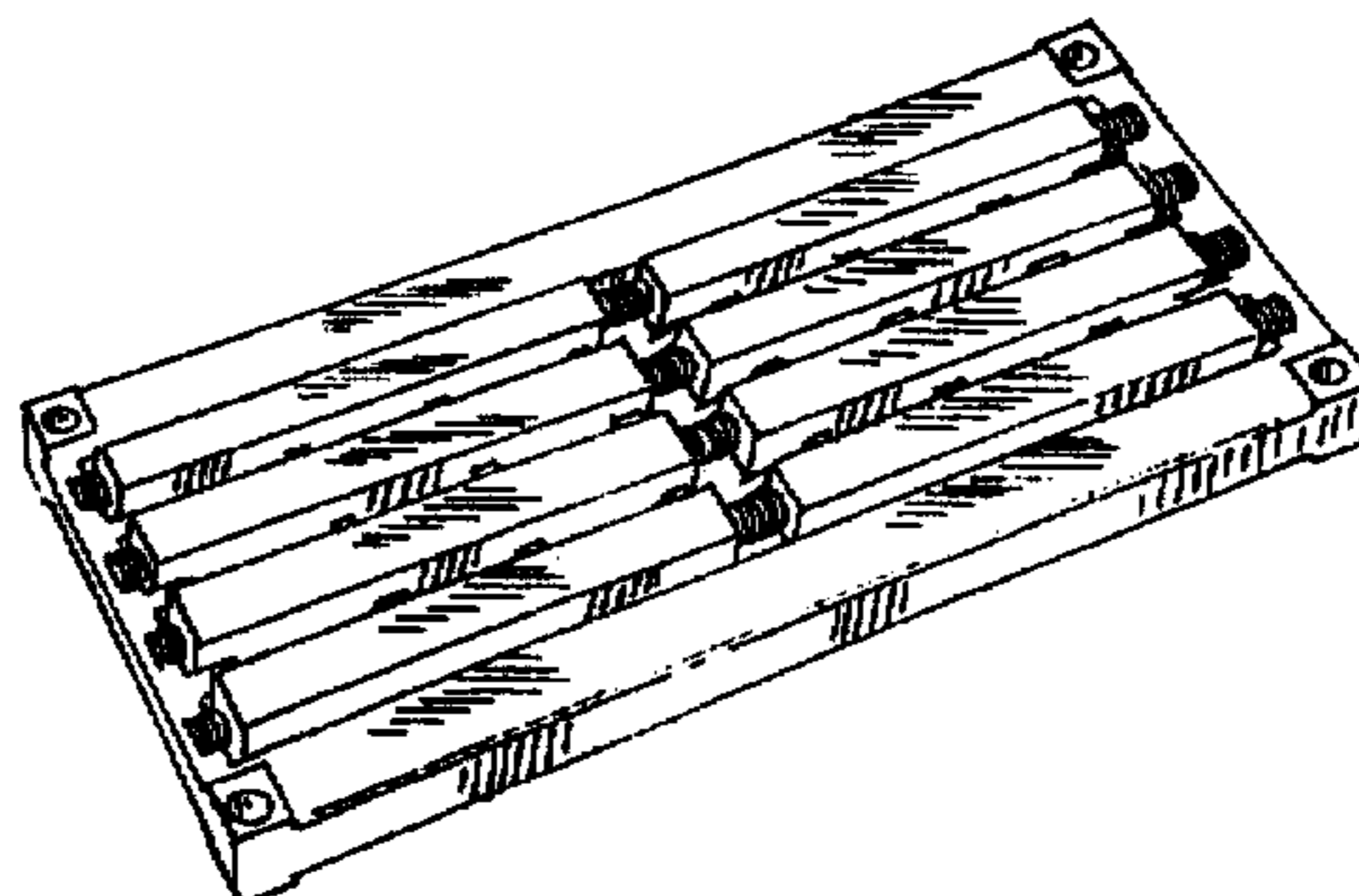
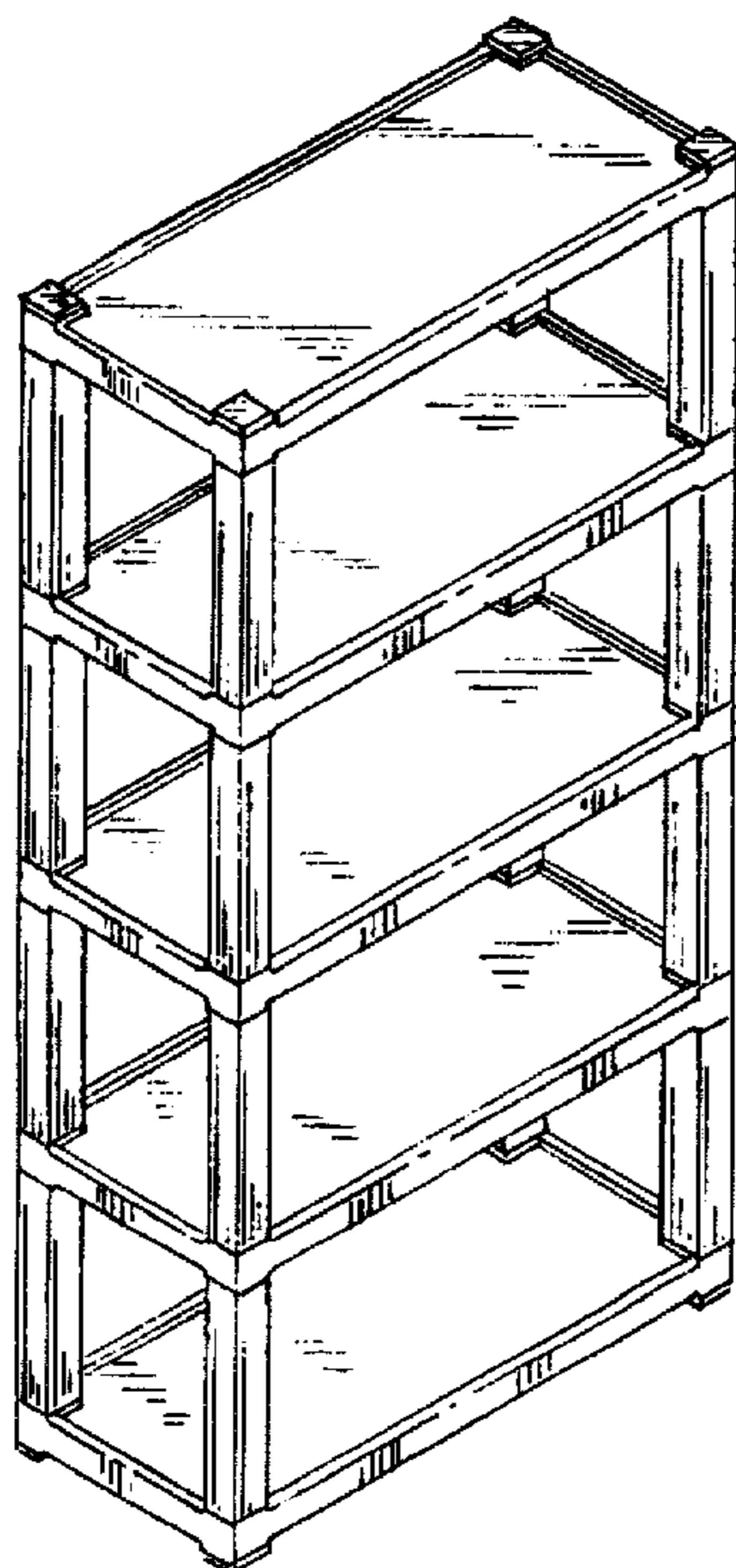
[57] **CLAIM**

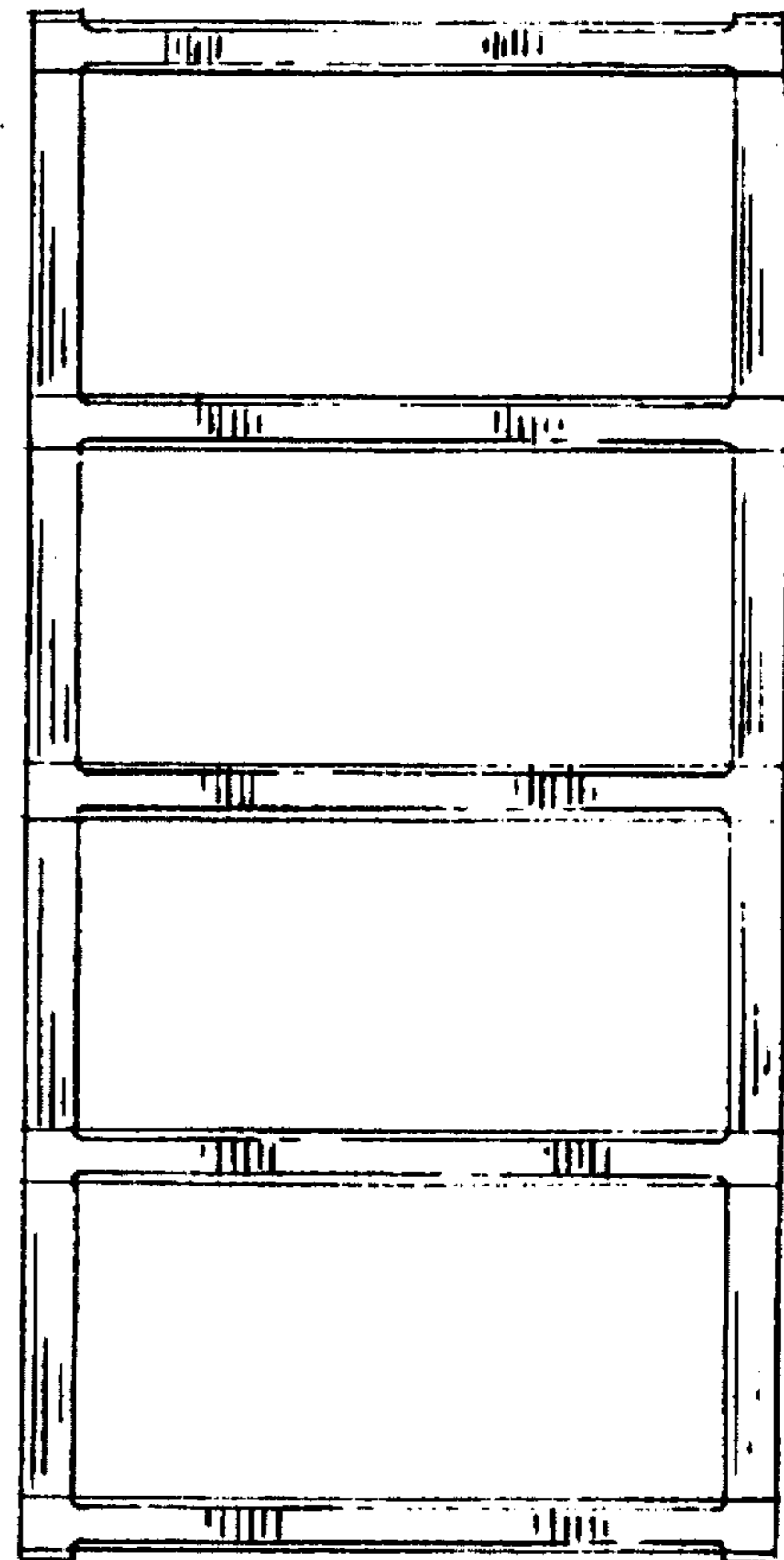
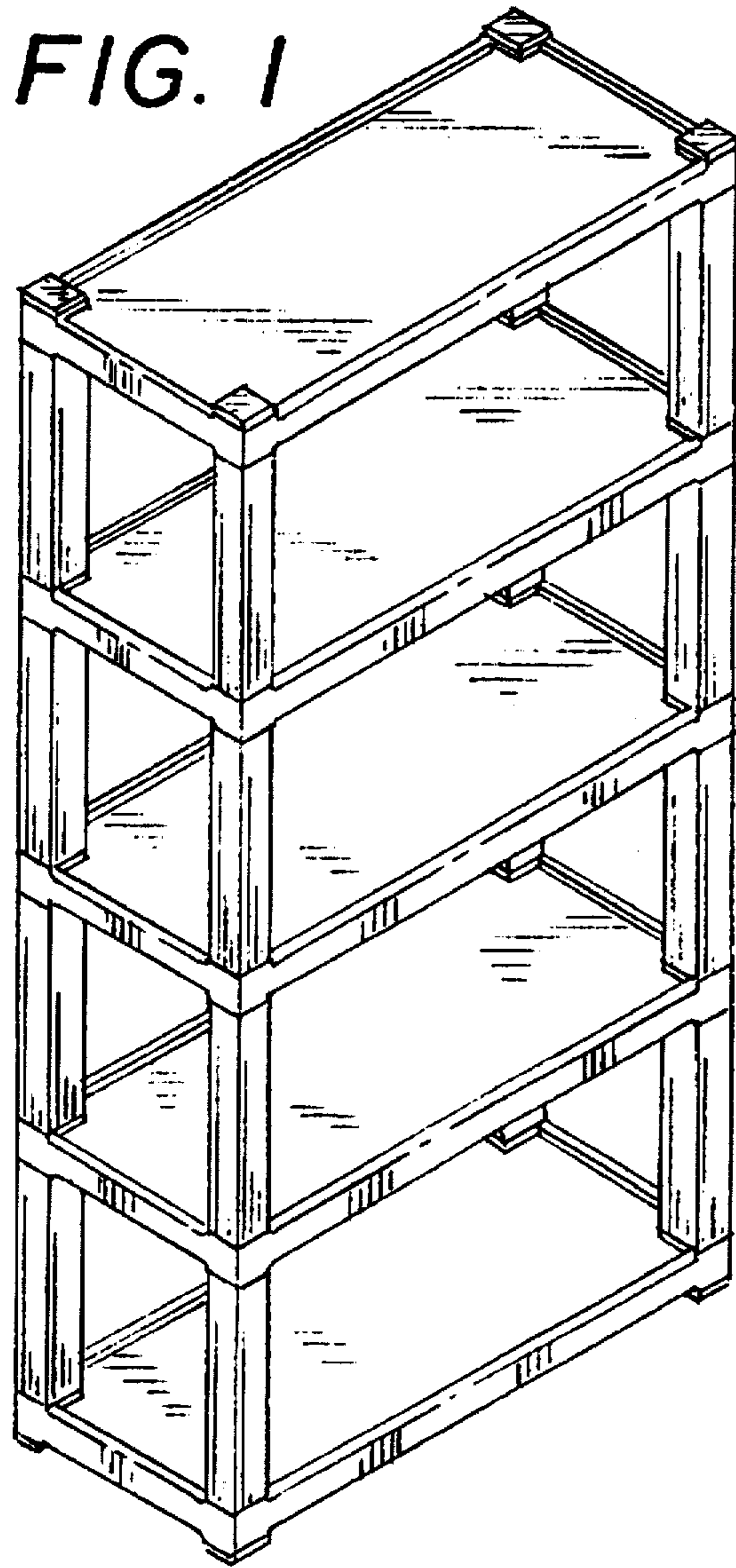
The ornamental design for a multi-tiered stand, as shown and described.

**DESCRIPTION**

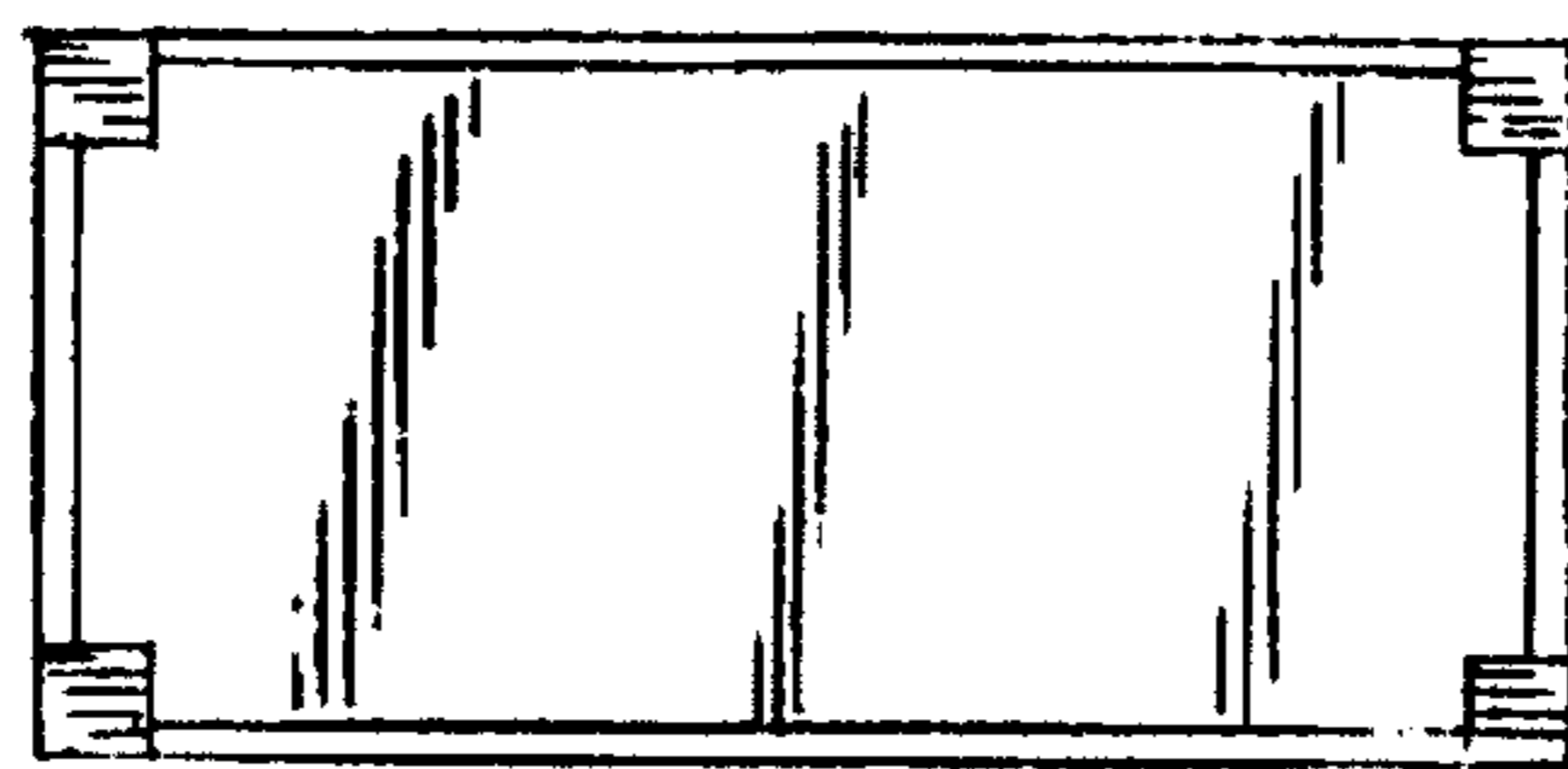
FIG. 1 is a top, front and left perspective view of a multi-tiered stand showing my new design;  
 FIG. 2 is a front elevational view thereof;  
 FIG. 3 is a bottom plan view thereof;  
 FIG. 4 is a rear elevational view thereof;  
 FIG. 5 is a right side view thereof;  
 FIG. 6 is a left side view thereof;  
 FIG. 7 is a bottom perspective view of a shelf of the multi-tiered stand, shown separately for clarity of illustration, showing the vertical posts of the multi-tiered stand positioned therein when the multi-tiered stand is disassembled;  
 FIG. 8 is a top perspective view of the shelf of FIG. 7;  
 FIG. 9 is a bottom perspective view of the shelf of the multi-tiered stand, shown separately for clarity of illustration;  
 FIG. 10 is a top perspective view of the shelf of FIG. 9;  
 FIG. 11 is a bottom perspective view of a shelf of the multi-tiered stand, shown separately for clarity of illustration; and,  
 FIG. 12 is a top perspective view of FIG. 11.  
 The shelves shown in FIGS. 7-12 may be used in any number and arrangement within the claimed multi-tiered stand.

**1 Claim, 4 Drawing Sheets**



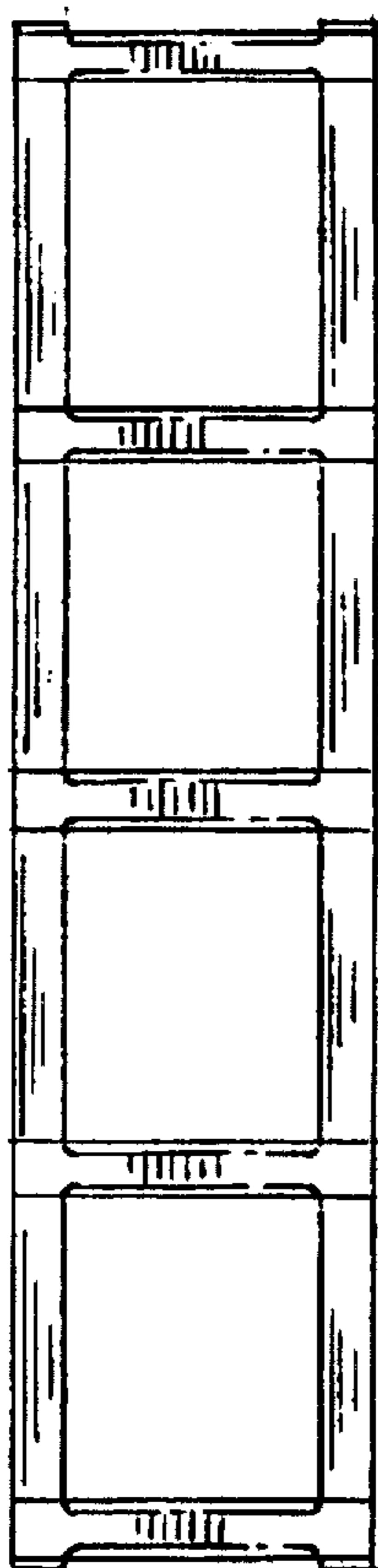
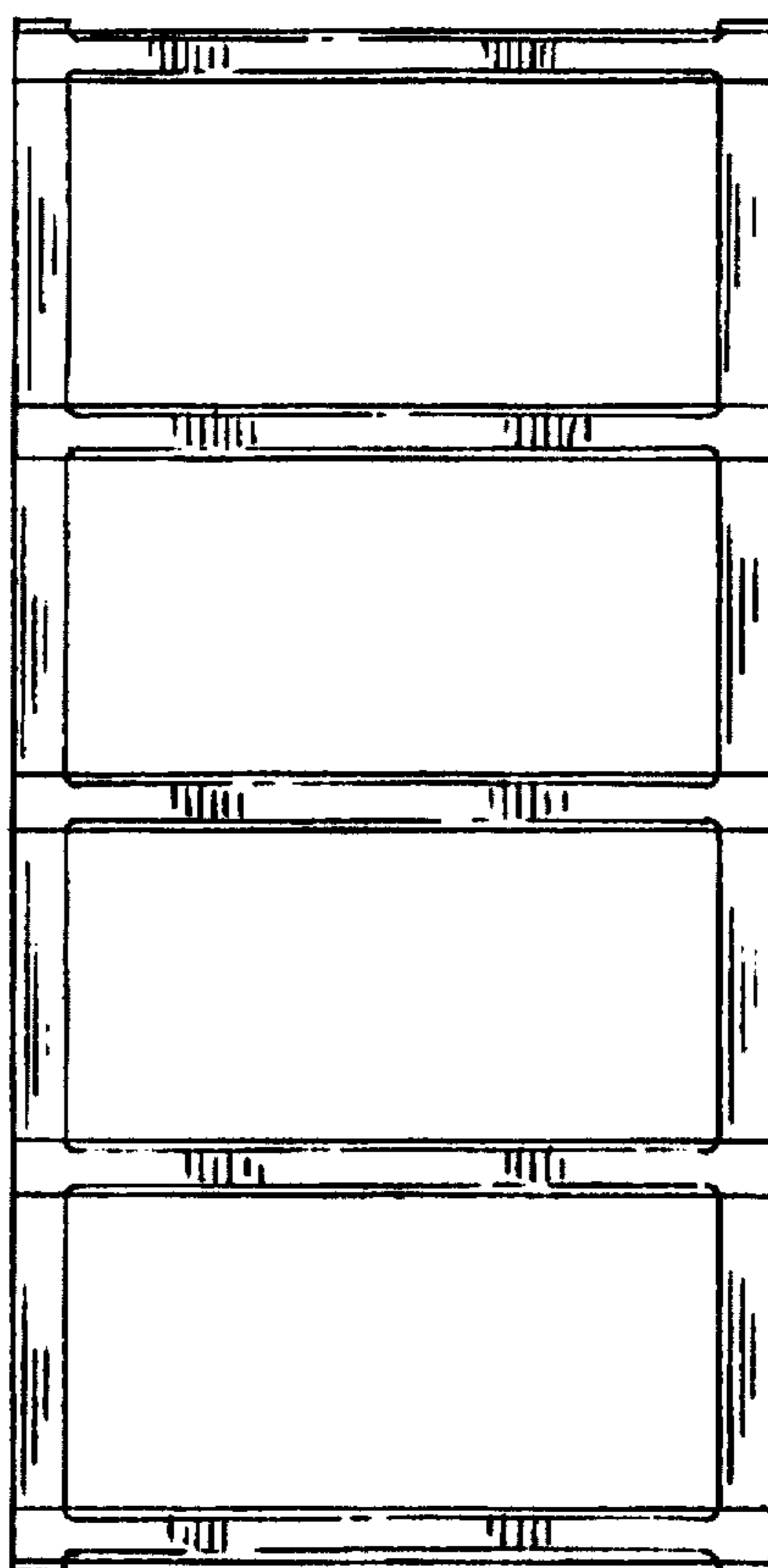


**FIG. 2**

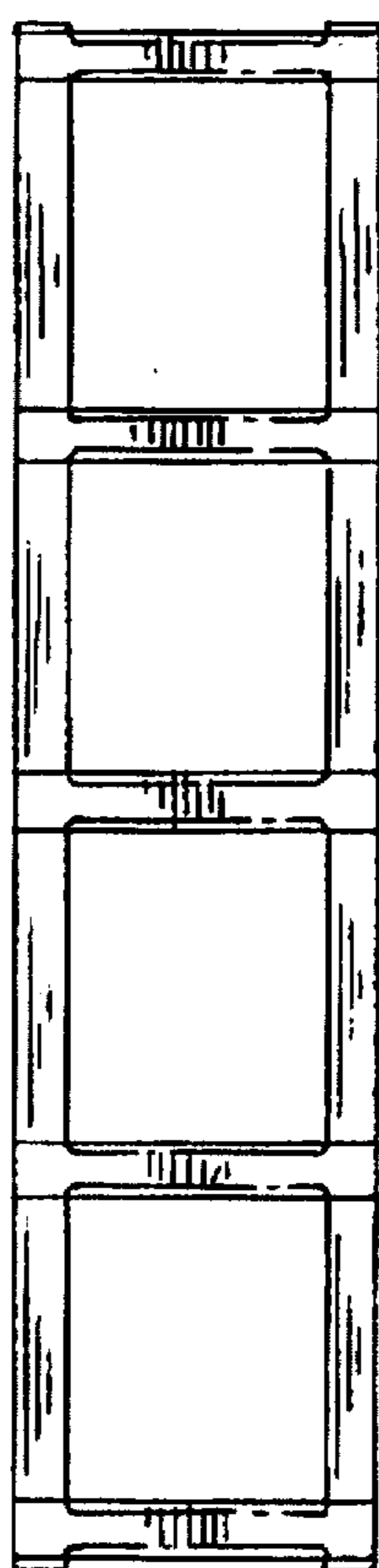


**FIG. 3**

*FIG. 4*



*FIG. 5*



*FIG. 6*

FIG. 7

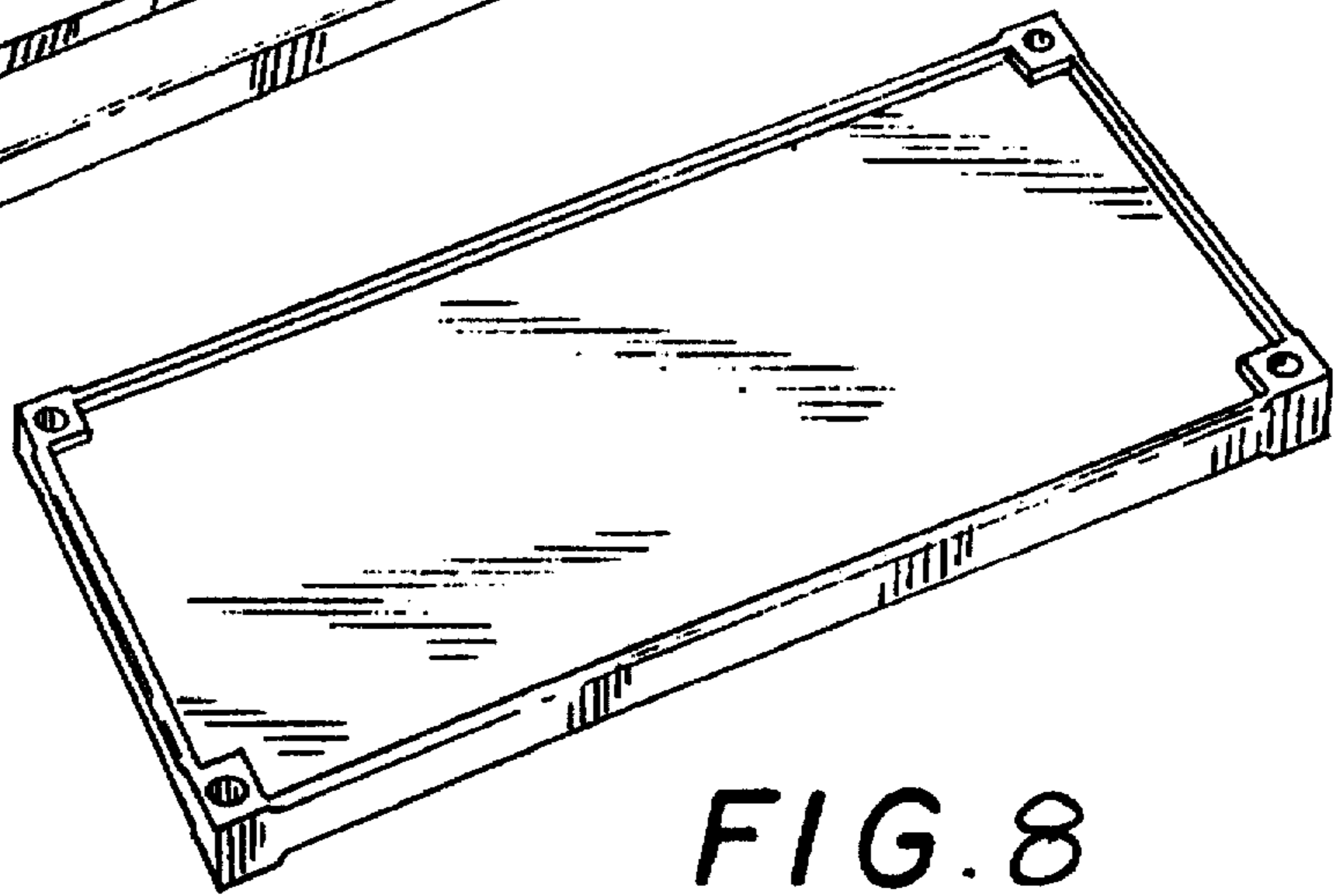
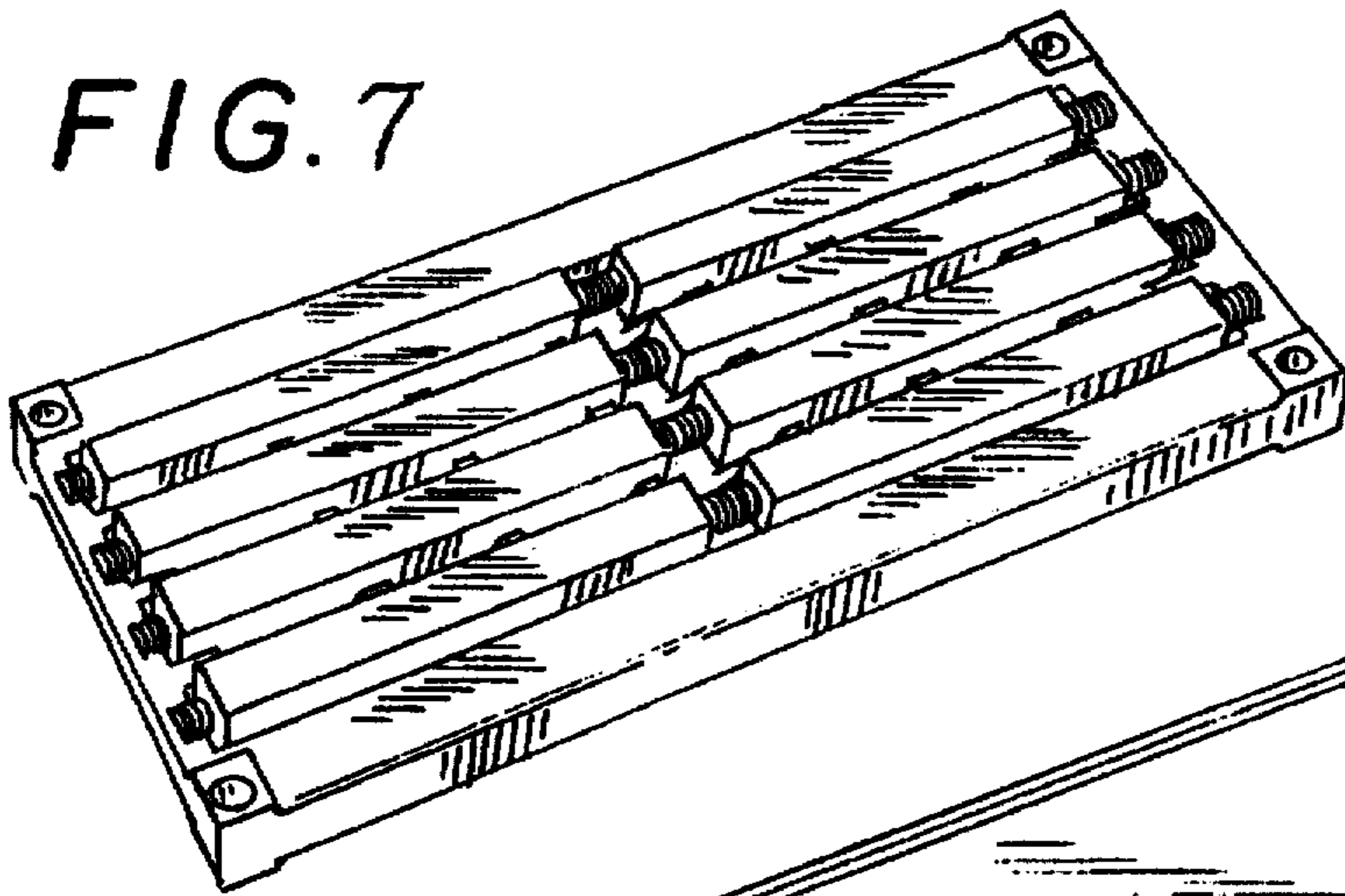


FIG. 8

FIG. 9

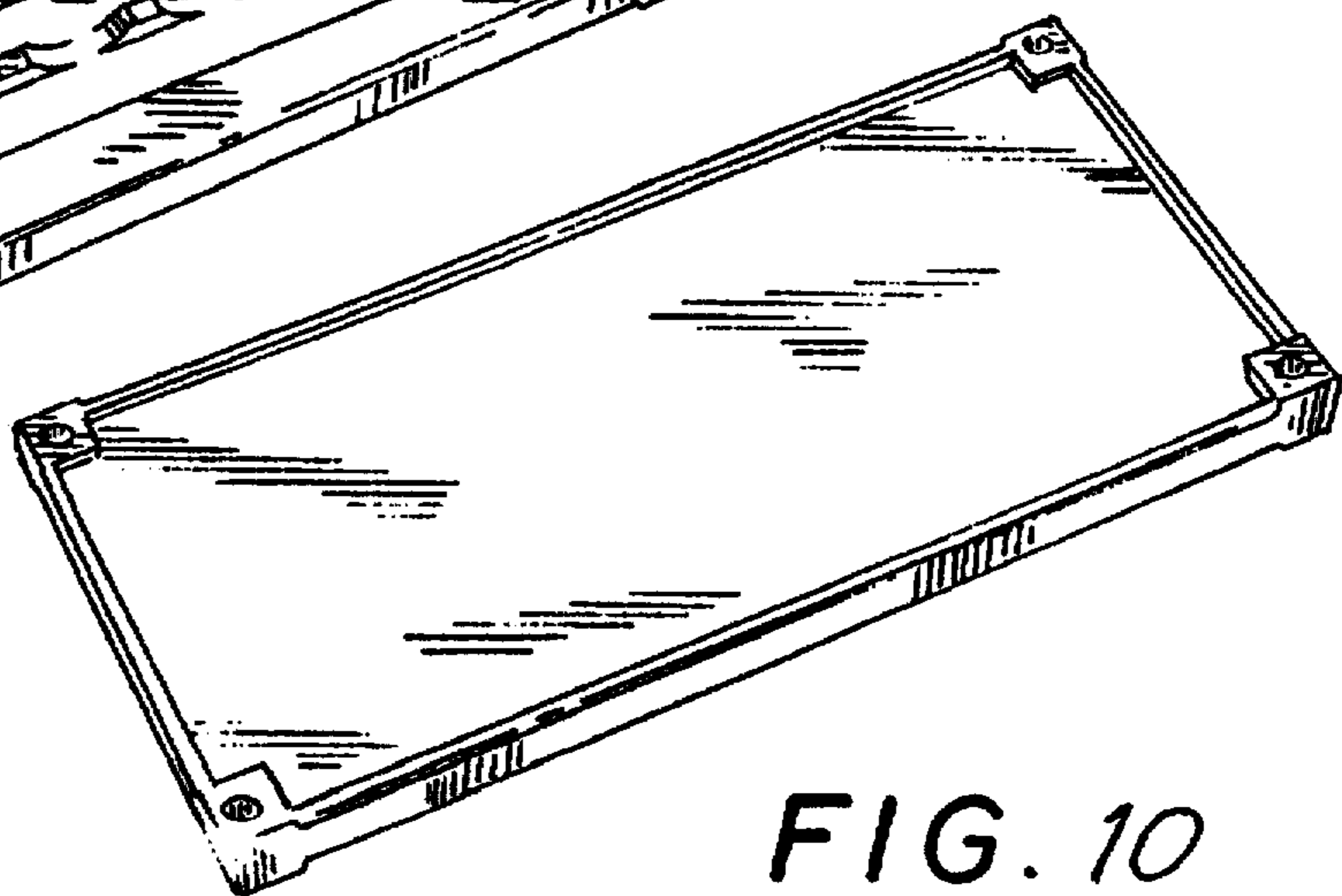
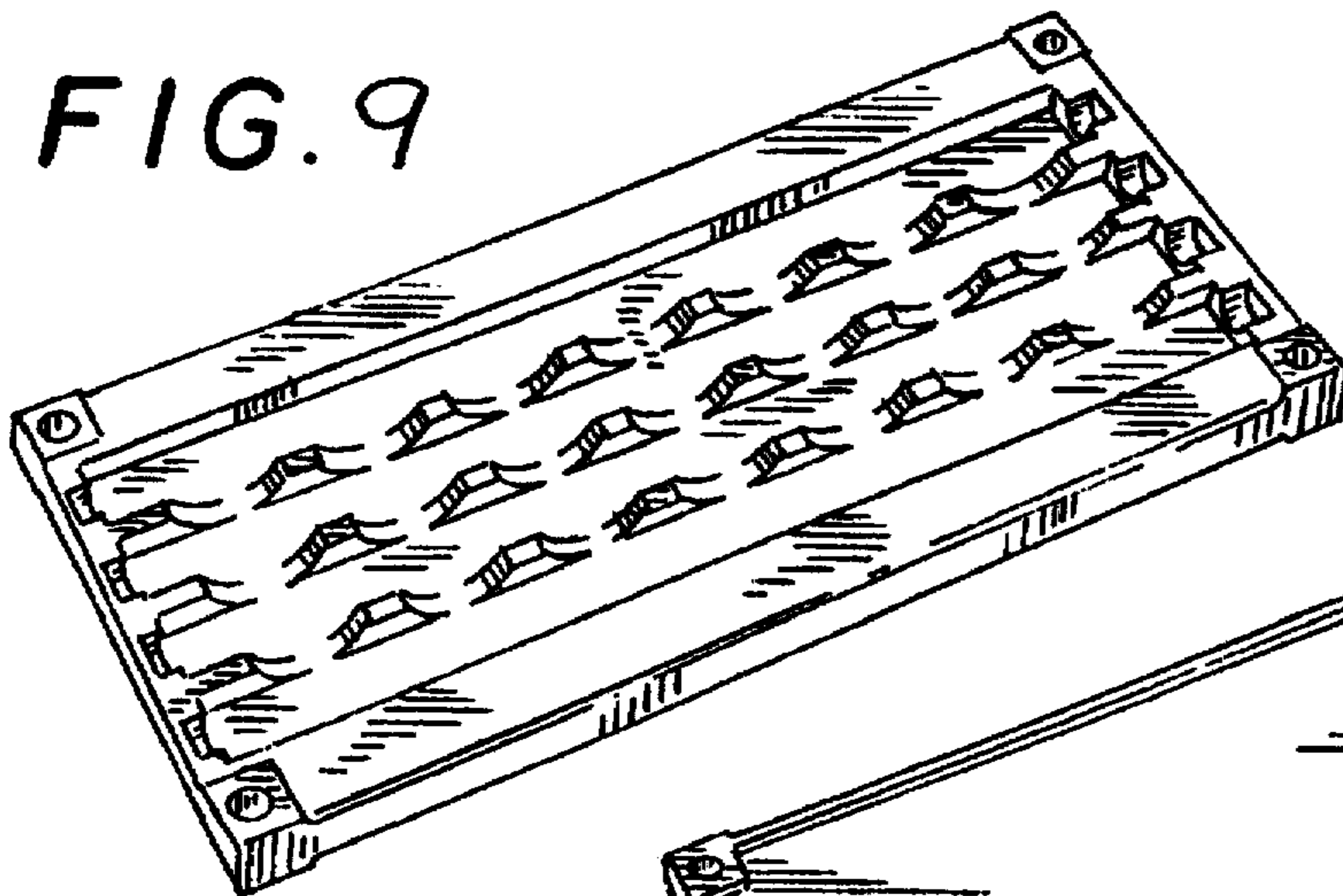
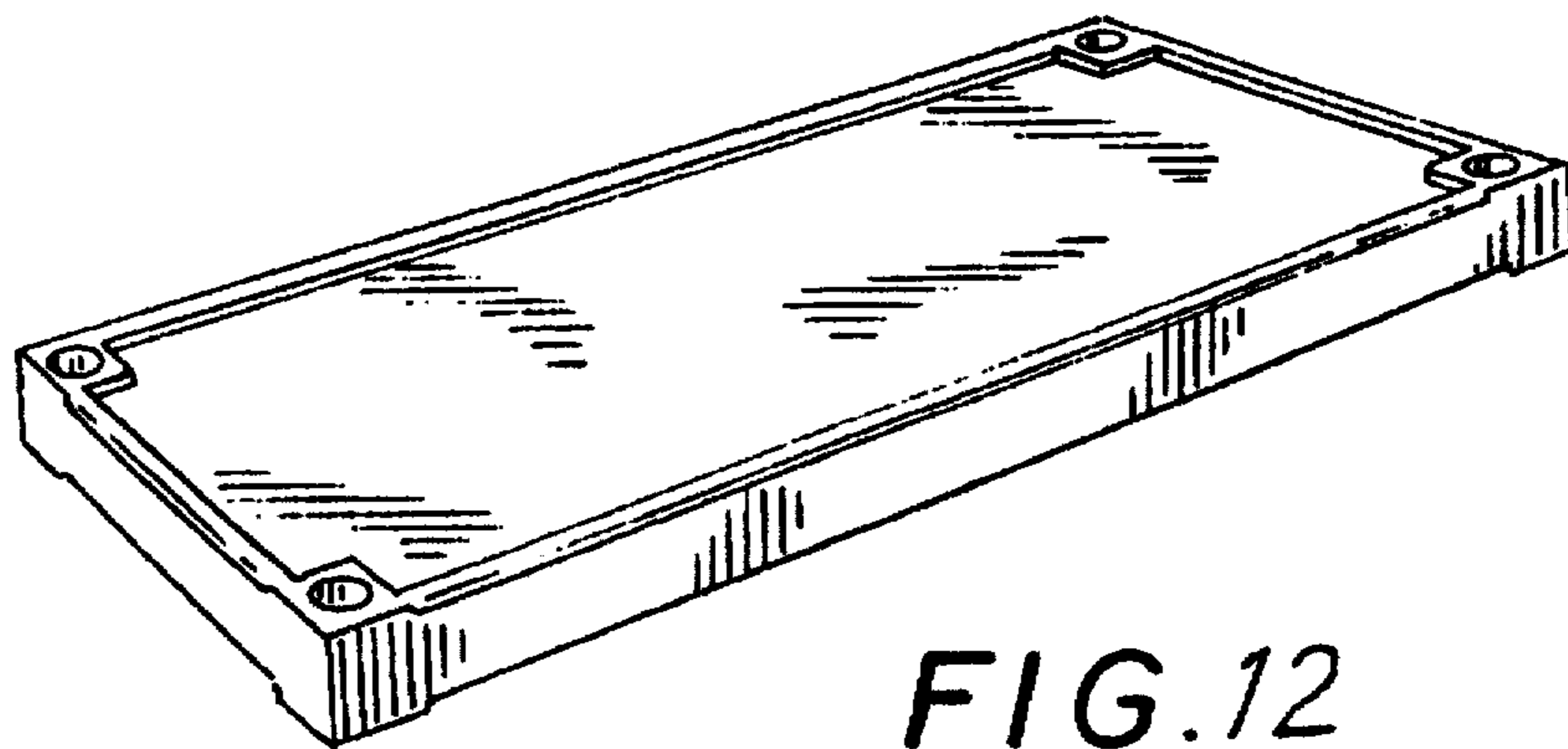
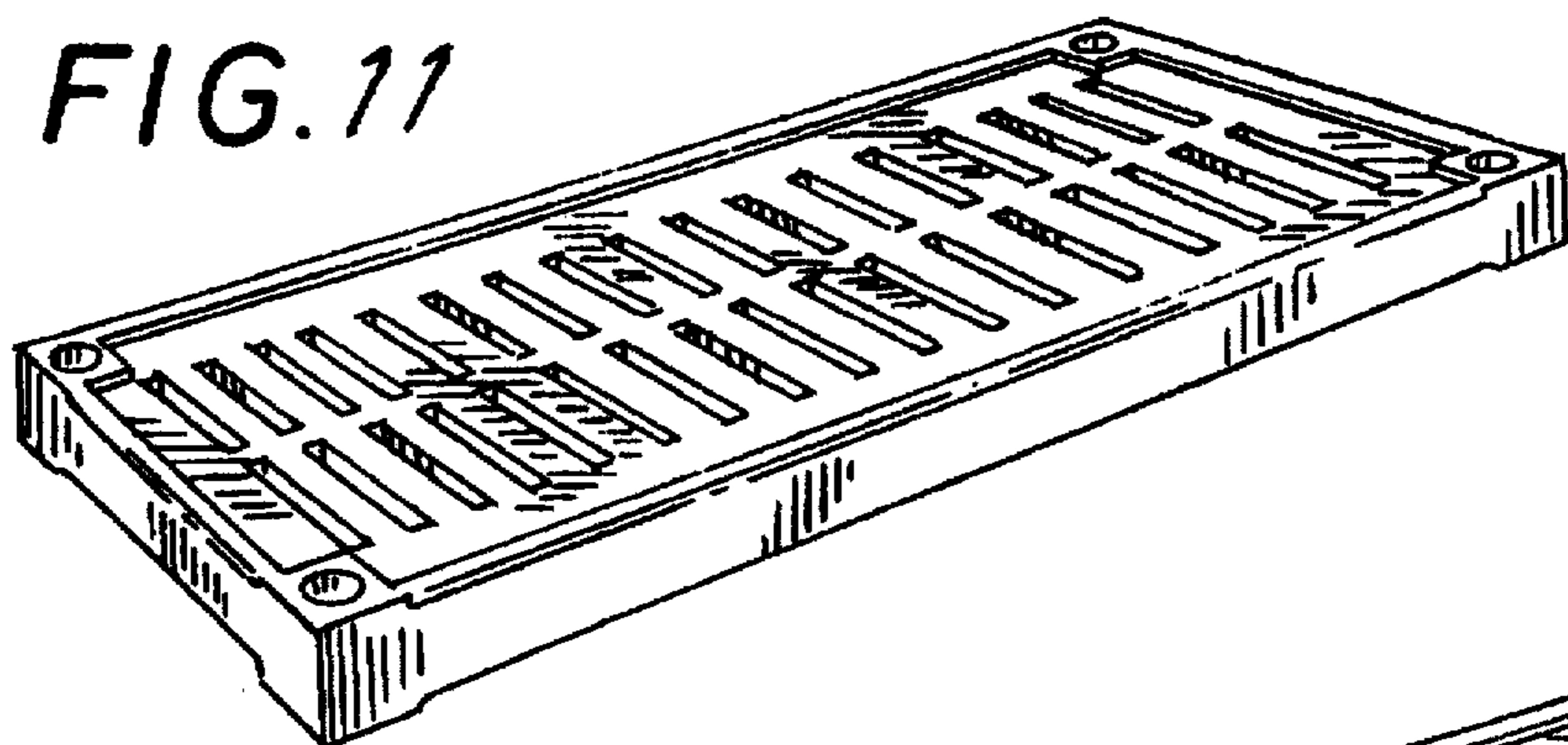


FIG. 10

*FIG. 11*



*FIG. 12*