



US00D386012S

# United States Patent [19]

Skalka

[11] Patent Number: Des. 386,012

[45] Date of Patent: \*\*Nov. 11, 1997

[54] BENCH

[75] Inventor: Gerald P. Skalka, Potomac, Md.

[73] Assignee: Victor Stanley, Inc., Dunkirk, Md.

[\*\*] Term: 14 Years

[21] Appl. No.: 57,092

[22] Filed: Jul. 16, 1996

### Related U.S. Application Data

[62] Division of Ser. No. 47,596, Dec. 8, 1995, Pat. No. Des. 376,271.

[51] LOC (6) Cl. .... 06-01

[52] U.S. Cl. .... D6/370; D6/381

[58] Field of Search ..... D6/334, 335, 370, D6/371, 373, 374, 379, 380, 381, 500, 501, 502; 297/232, 452.63

### [56] References Cited

#### U.S. PATENT DOCUMENTS

- D. 5,147 8/1871 Fiske .
- D. 9,887 4/1877 Goodwin ..... D6/335
- D. 185,164 5/1959 Molla .
- D. 216,115 11/1969 Suzuki ..... D6/370
- D. 217,910 6/1970 Harman .
- D. 225,946 1/1973 Morrison et al. .
- D. 229,591 12/1973 Trail et al. .... D6/370
- D. 233,964 12/1974 Morrison et al. .
- D. 263,353 3/1982 Beals ..... D6/370
- D. 273,354 4/1984 Fitts .
- D. 278,396 4/1985 Syme et al. .
- D. 278,776 5/1985 Kime ..... D6/500
- D. 294,782 3/1988 Balderi ..... D6/373
- D. 314,677 2/1991 Hanna ..... D6/381
- D. 341,267 11/1993 Caldwell ..... D6/381
- D. 345,261 3/1994 Chen ..... D6/370
- D. 351,290 10/1994 Chen .
- D. 360,538 7/1995 Skalka .
- D. 366,773 2/1996 Yurk .

#### OTHER PUBLICATIONS

Service Merchandise, 1991—92, p. 453, Bench #26 at bottom right.

Dalvey Products, Bench BL-600-3 at bottom right.

Primary Examiner—Gary D. Watson  
Attorney, Agent, or Firm—Reid & Priest LLP

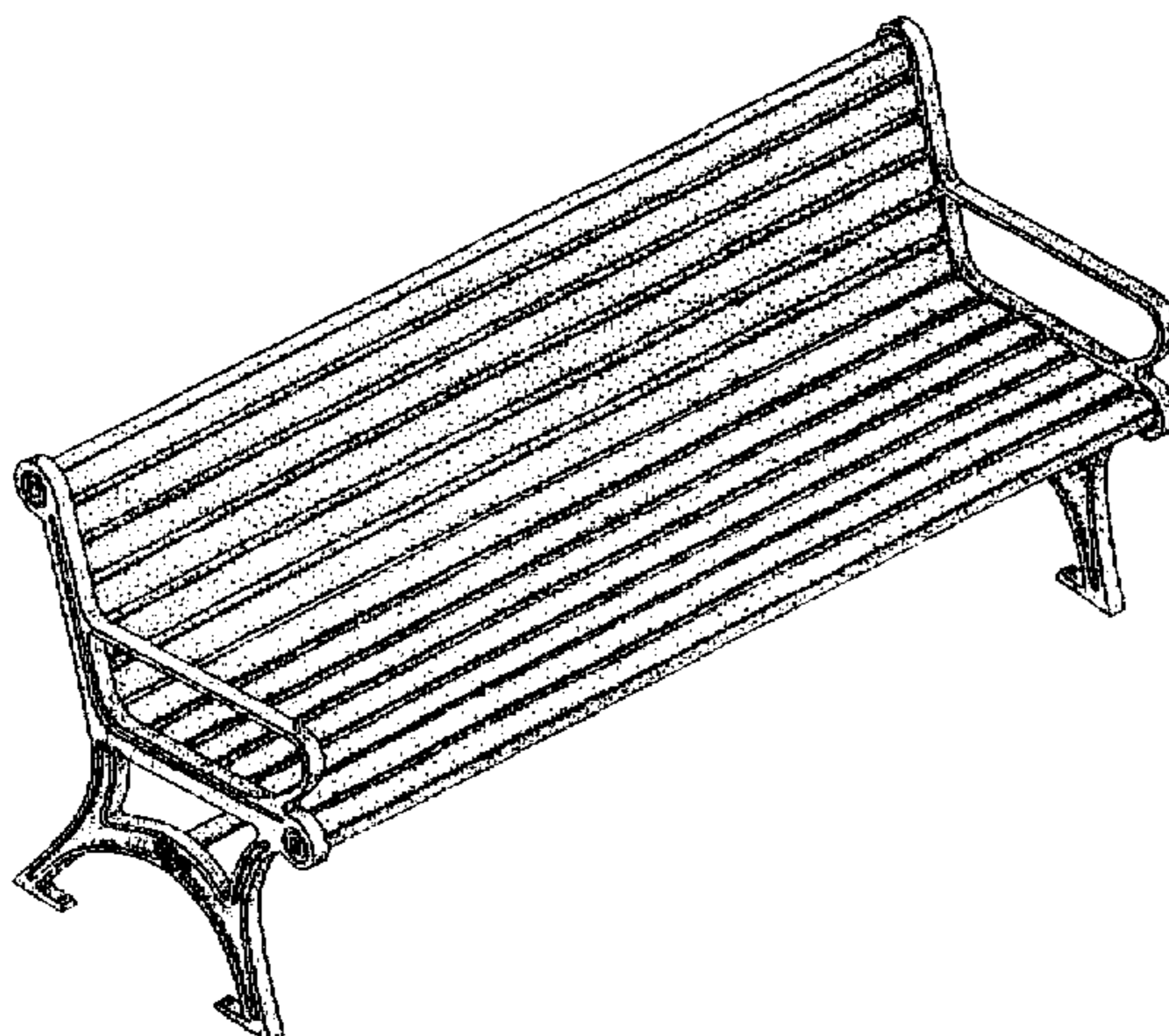
### [57] CLAIM

The ornamental design for a bench, as shown and described.

### DESCRIPTION

FIG. 1 is a perspective view of a bench showing a first embodiment of my new design;  
 FIG. 2 is a side elevational view of the bench of FIG. 1, the opposite side elevational view being a mirror image thereof;  
 FIG. 3 is a front elevational view of the bench of FIG. 1;  
 FIG. 4 is a bottom plan view of the bench of FIG. 1;  
 FIG. 5 is a back elevational view of the bench of FIG. 1;  
 FIG. 6 is a top plan view of the bench of FIG. 1;  
 FIG. 7 is a perspective view of a bench showing a second embodiment of my new design;  
 FIG. 8 is a side elevational view of the bench of FIG. 7, the opposite side elevational view being a mirror image thereof;  
 FIG. 9 is a front elevational view of the bench of FIG. 7;  
 FIG. 10 is a bottom plan view of the bench of FIG. 7;  
 FIG. 11 is a back elevational view of the bench of FIG. 7;  
 FIG. 12 is a top plan view of the bench of FIG. 7;  
 FIG. 13 is a perspective view of the bench showing a third embodiment of my new design;  
 FIG. 14 is a side elevational view of the bench of FIG. 13, the opposite side elevational view being a mirror image thereof;  
 FIG. 15 is a front elevational view of the bench of FIG. 13;  
 FIG. 16 is a bottom plan view of the bench of FIG. 13;  
 FIG. 17 is a back elevational view of the bench of FIG. 13;  
 FIG. 18 is a top plan view of the bench of FIG. 13;  
 FIG. 19 is a perspective view of a bench showing a fourth embodiment of my new design;  
 FIG. 20 is a side elevational view of the bench of FIG. 19, the opposite side elevational view being a mirror image thereof;  
 FIG. 21 is a front elevational view of the bench of FIG. 19;  
 FIG. 22 is a bottom plan view of the bench of FIG. 19;  
 FIG. 23 is a back elevational view of the bench of FIG. 19;  
 and,  
 FIG. 24 is a top plan view of the bench of FIG. 19.

1 Claim, 12 Drawing Sheets





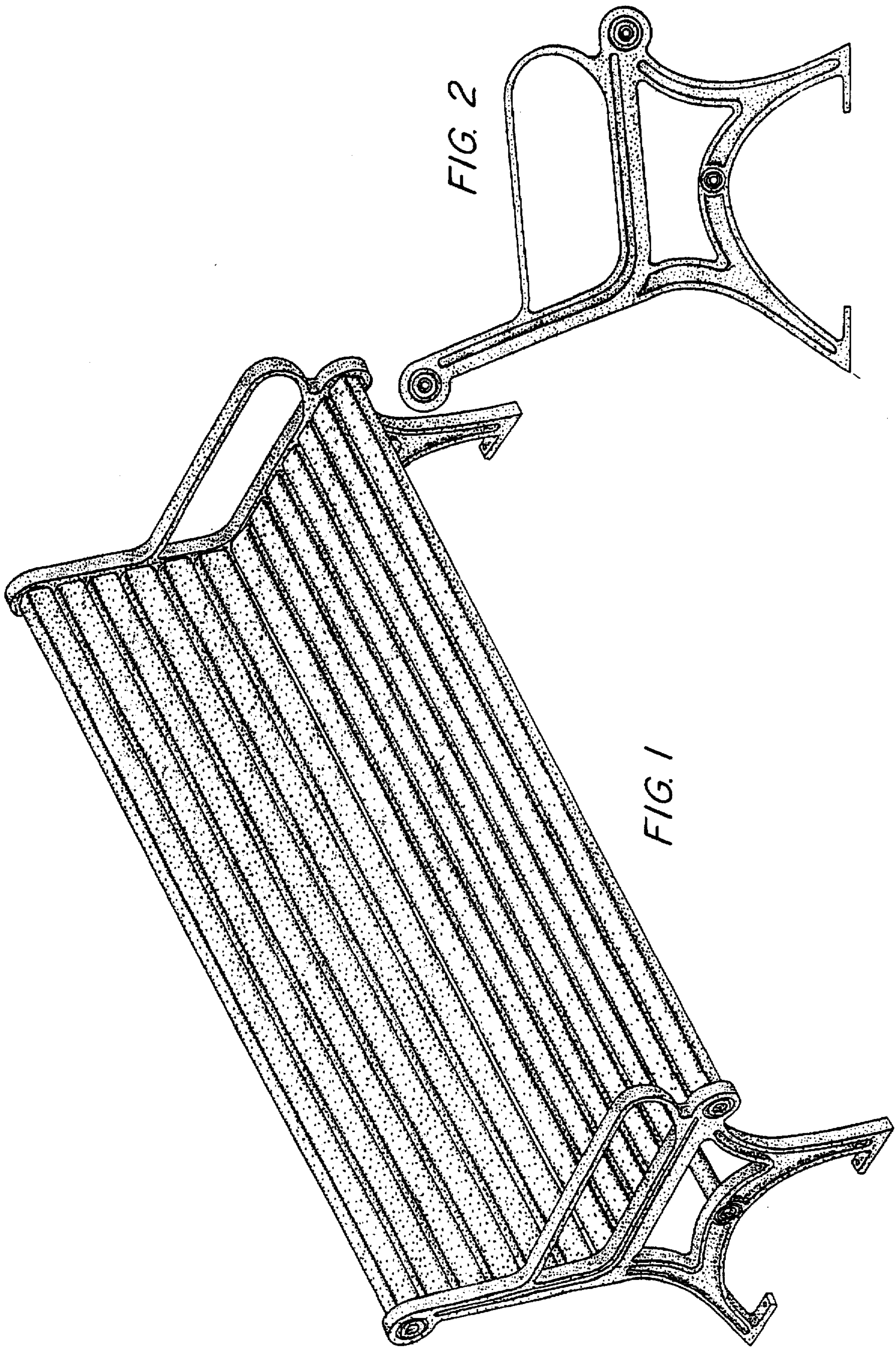




FIG. 3

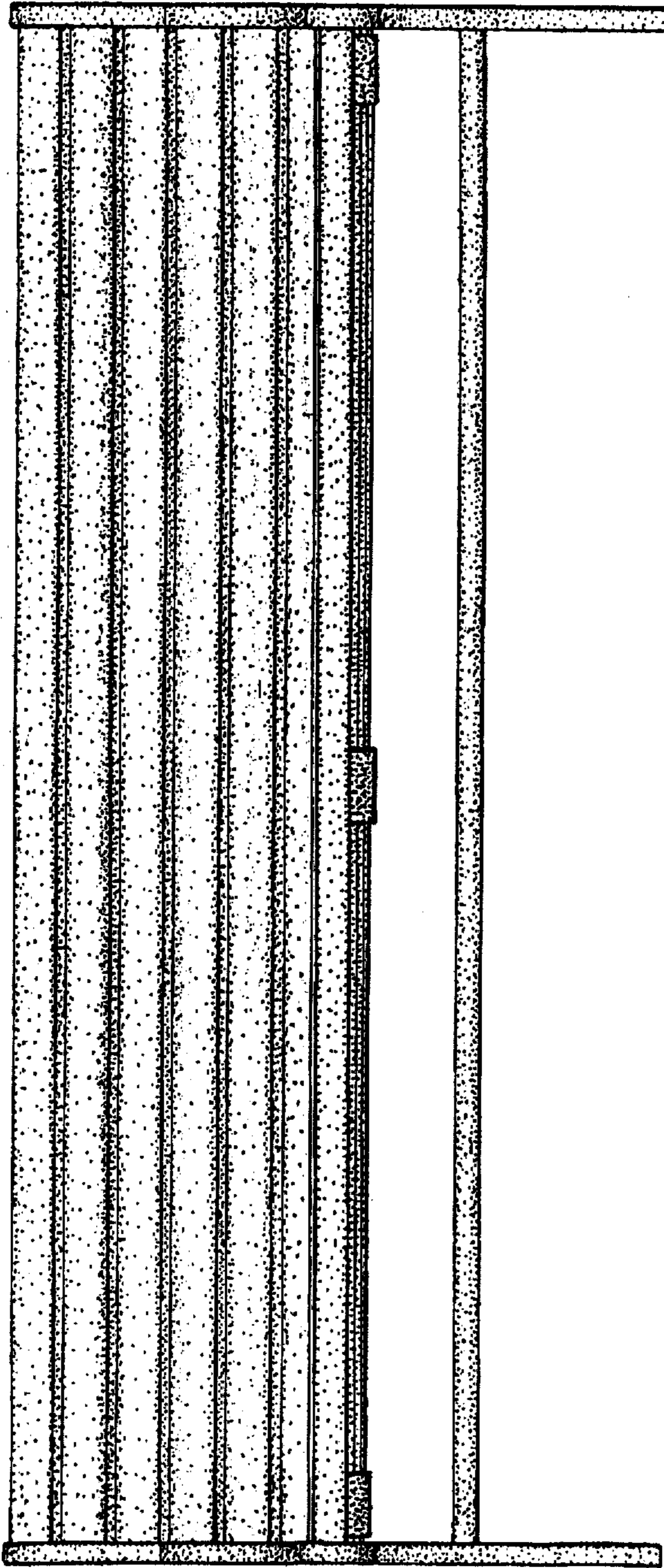


FIG. 4

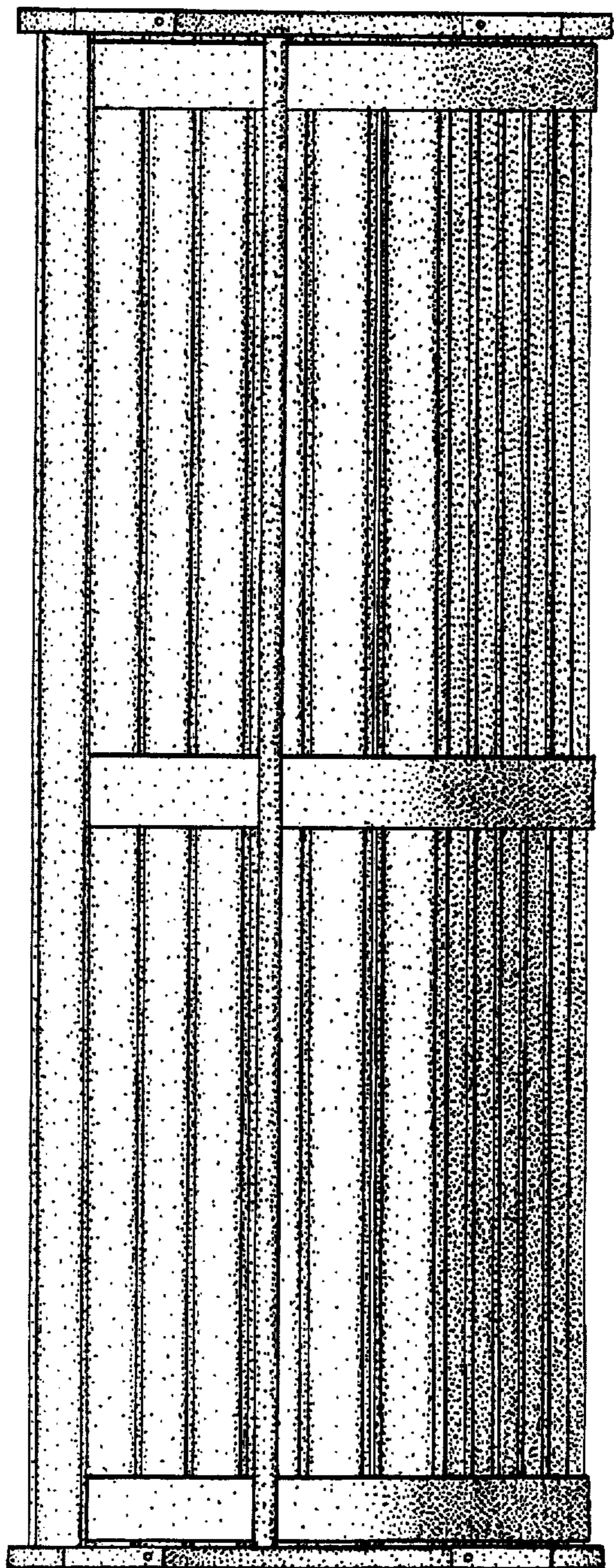




FIG. 5

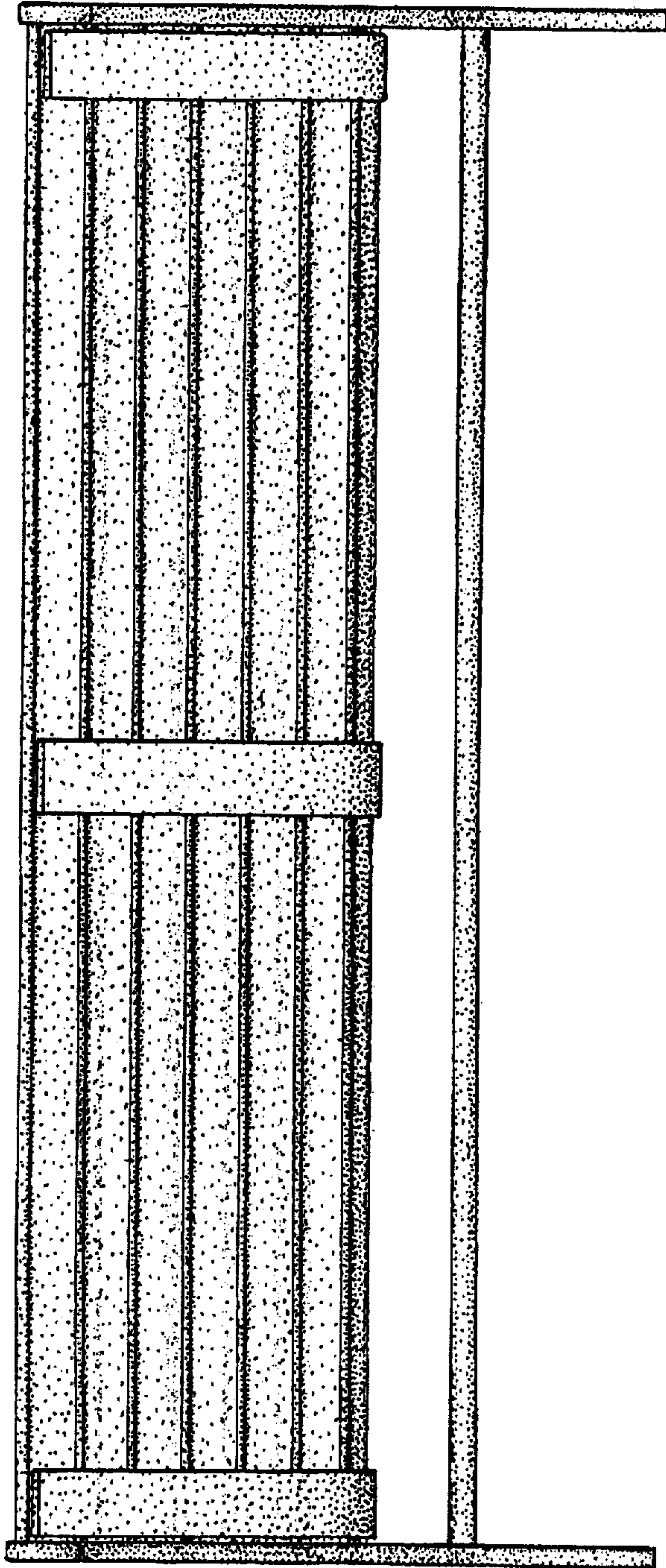
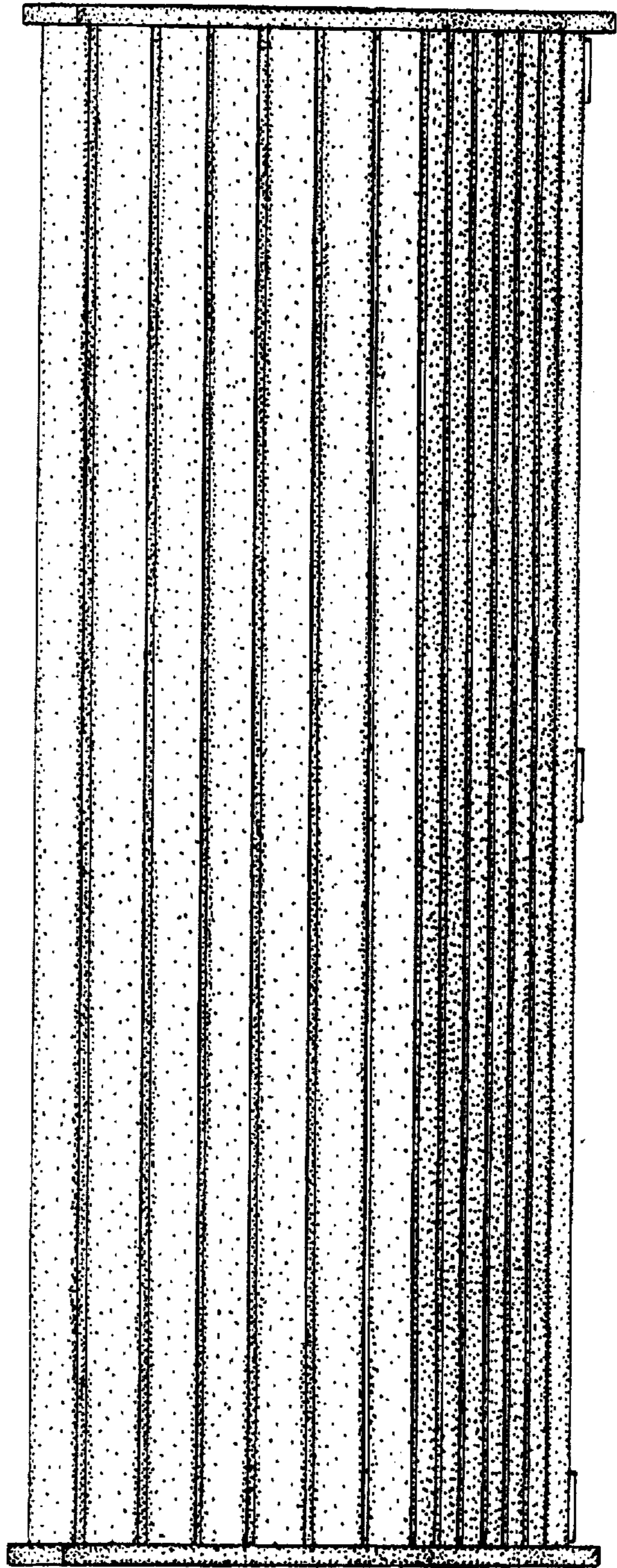


FIG. 6





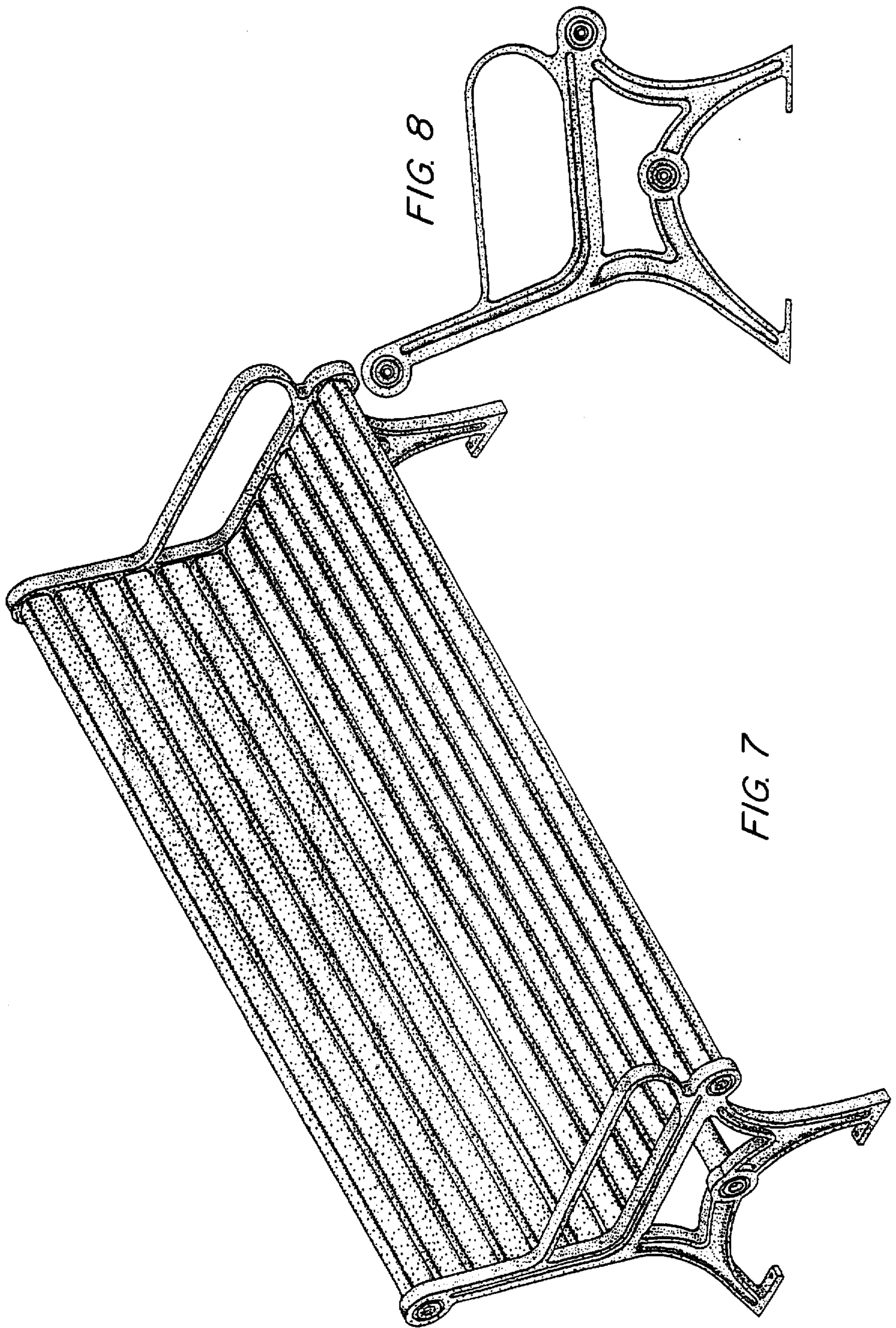




FIG. 9

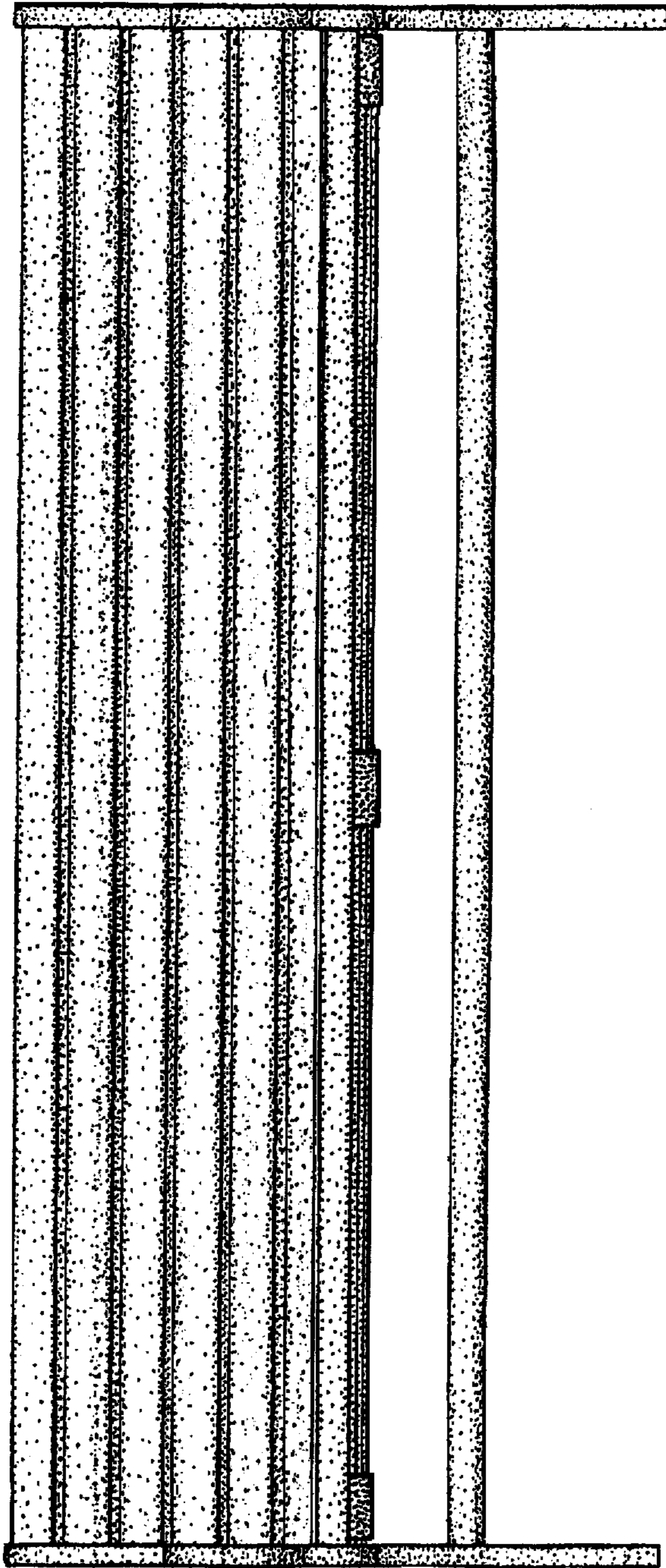


FIG. 10

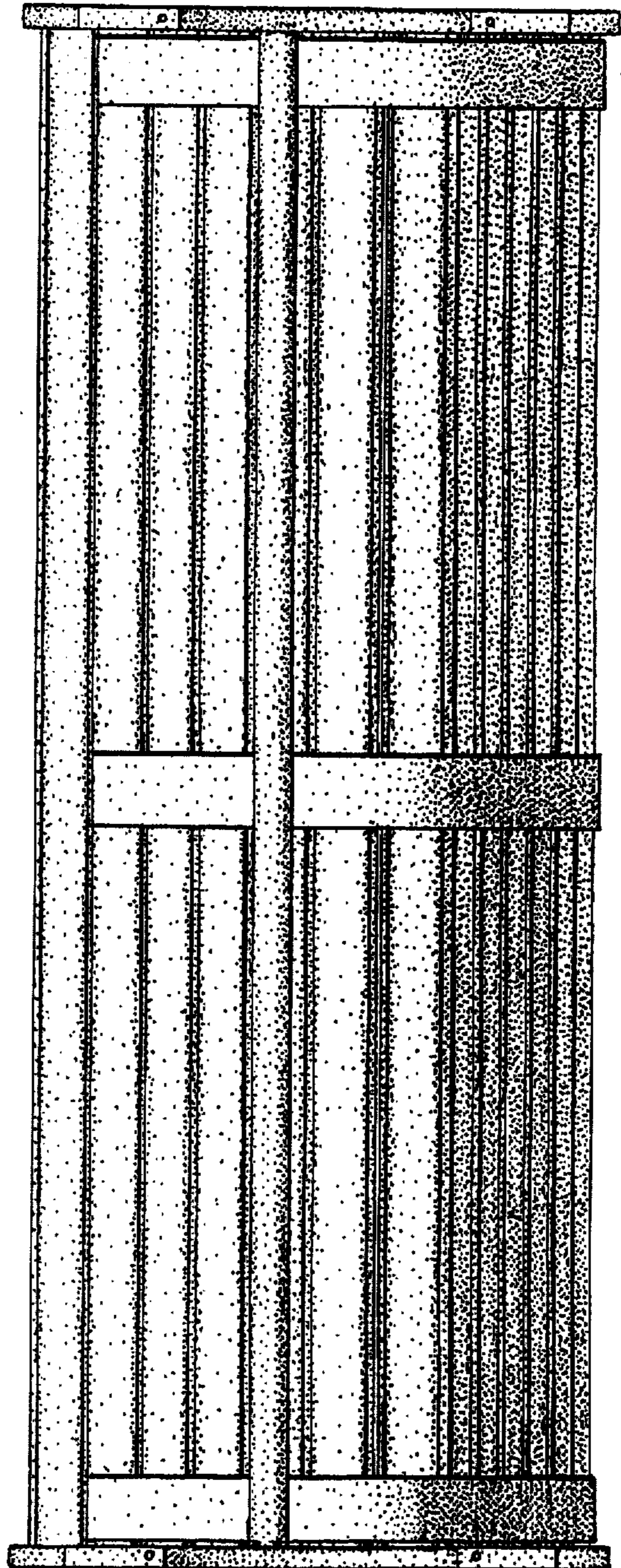




FIG. 11

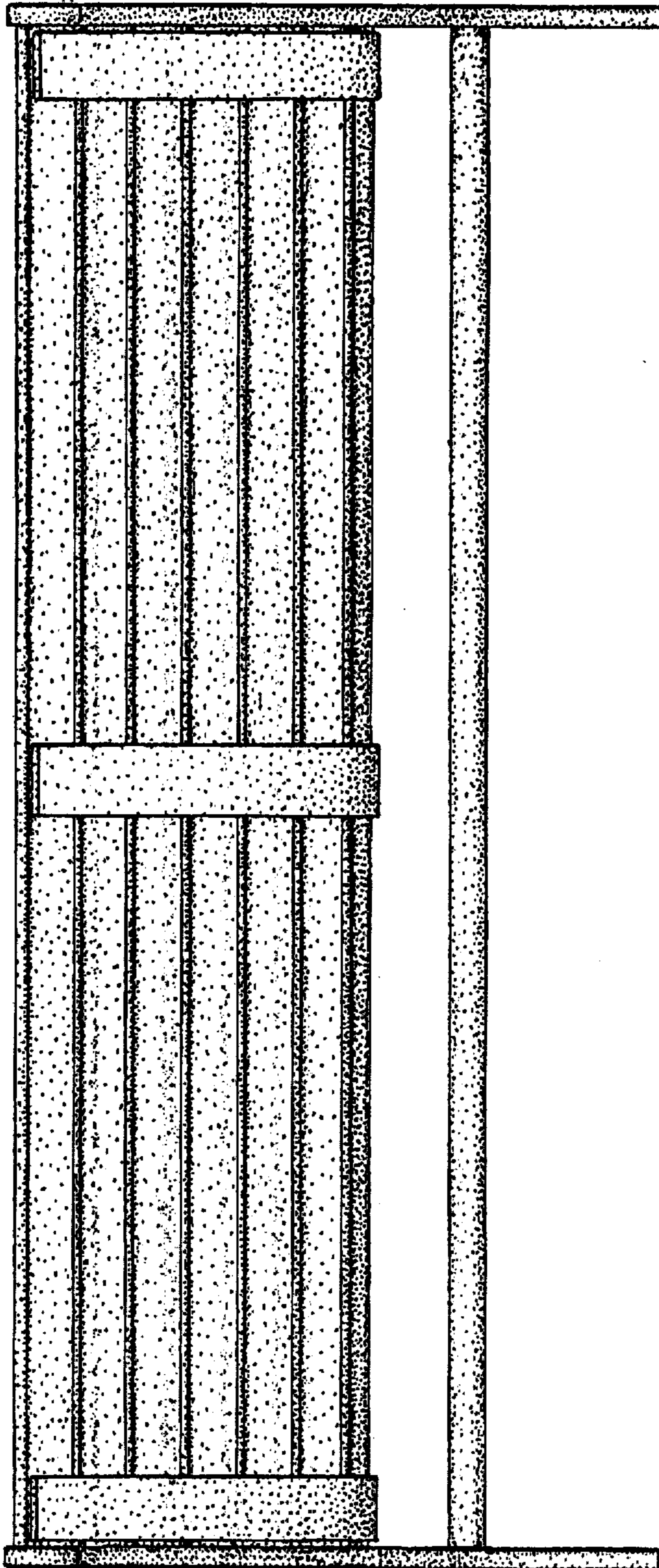
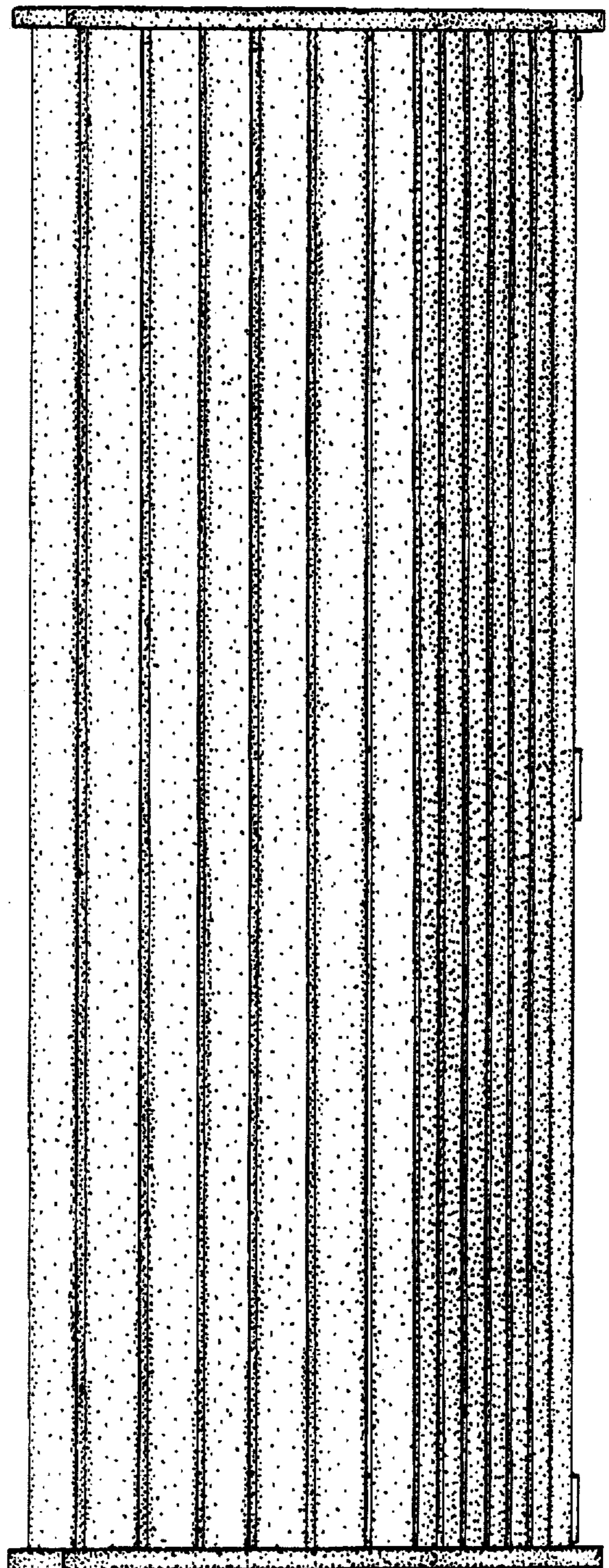


FIG. 12





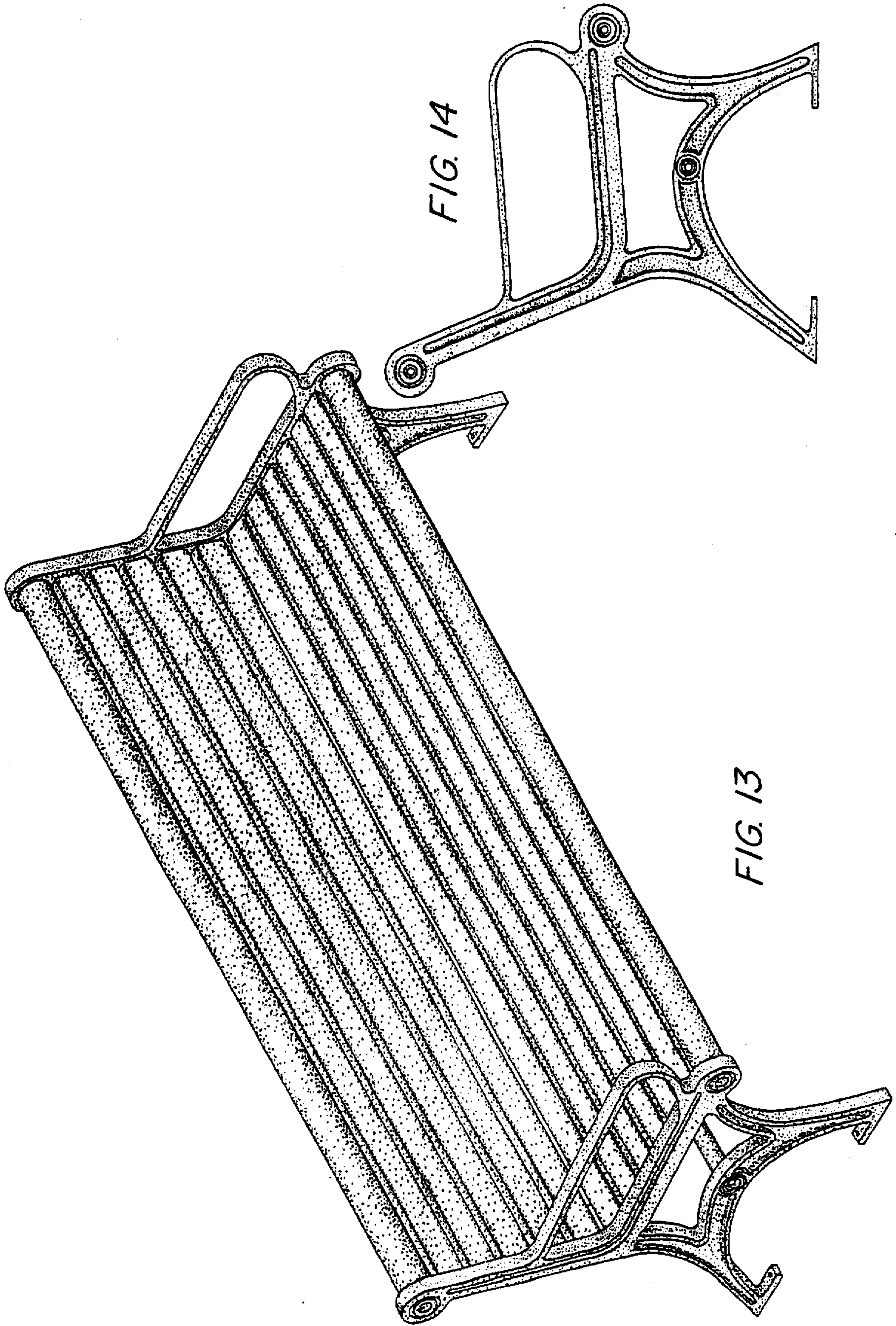




FIG. 15

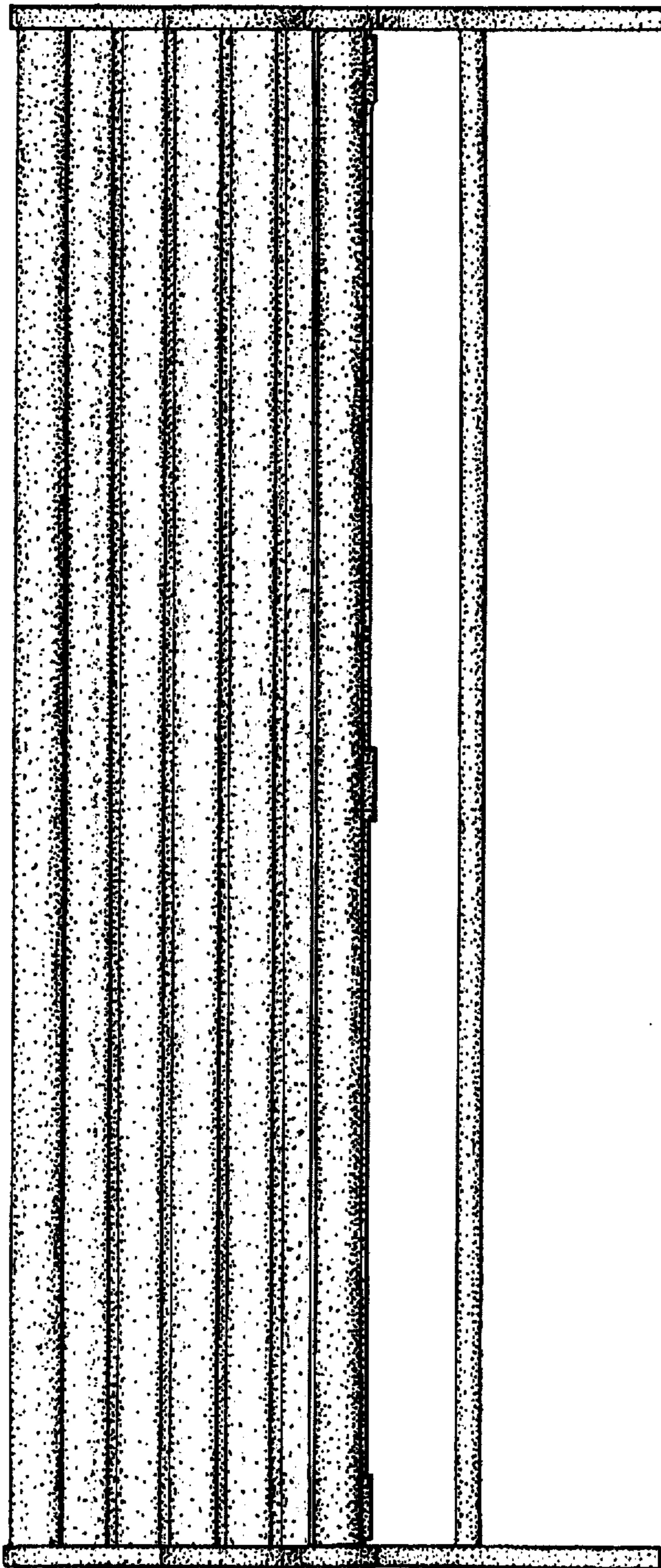


FIG. 16

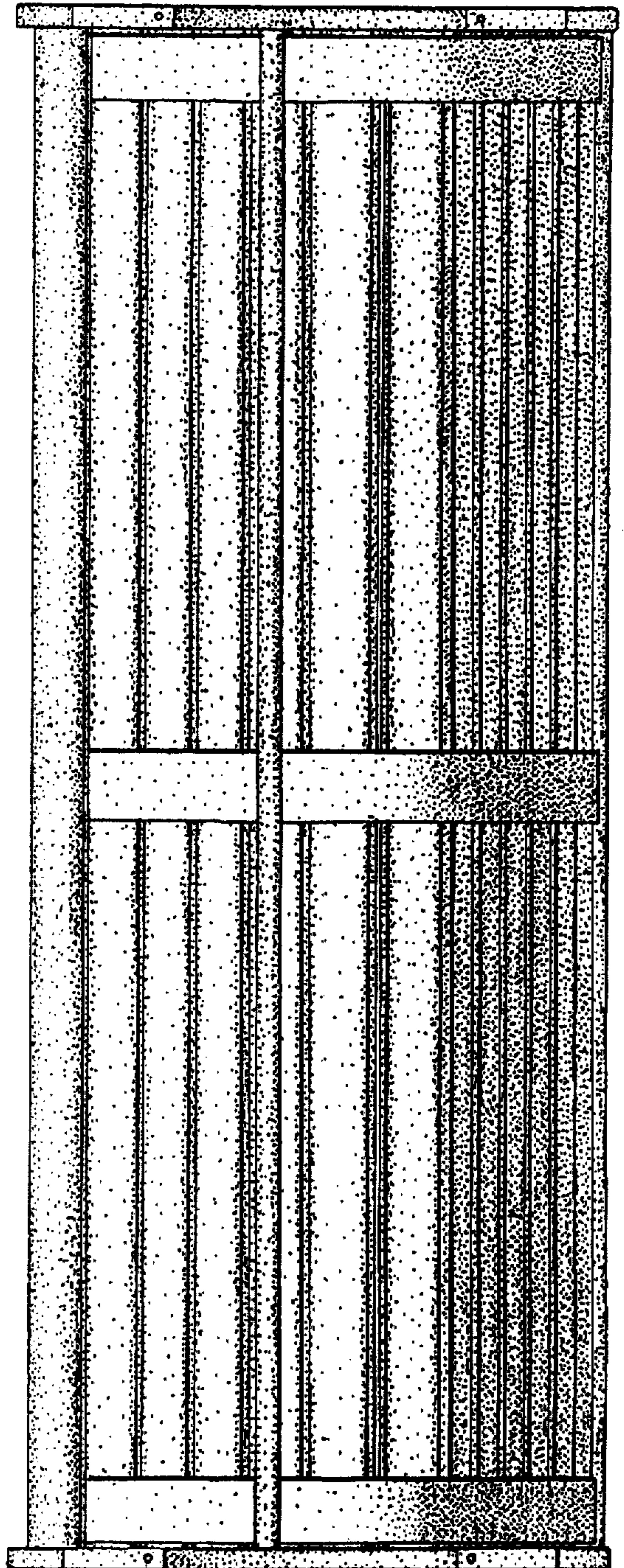




FIG. 17

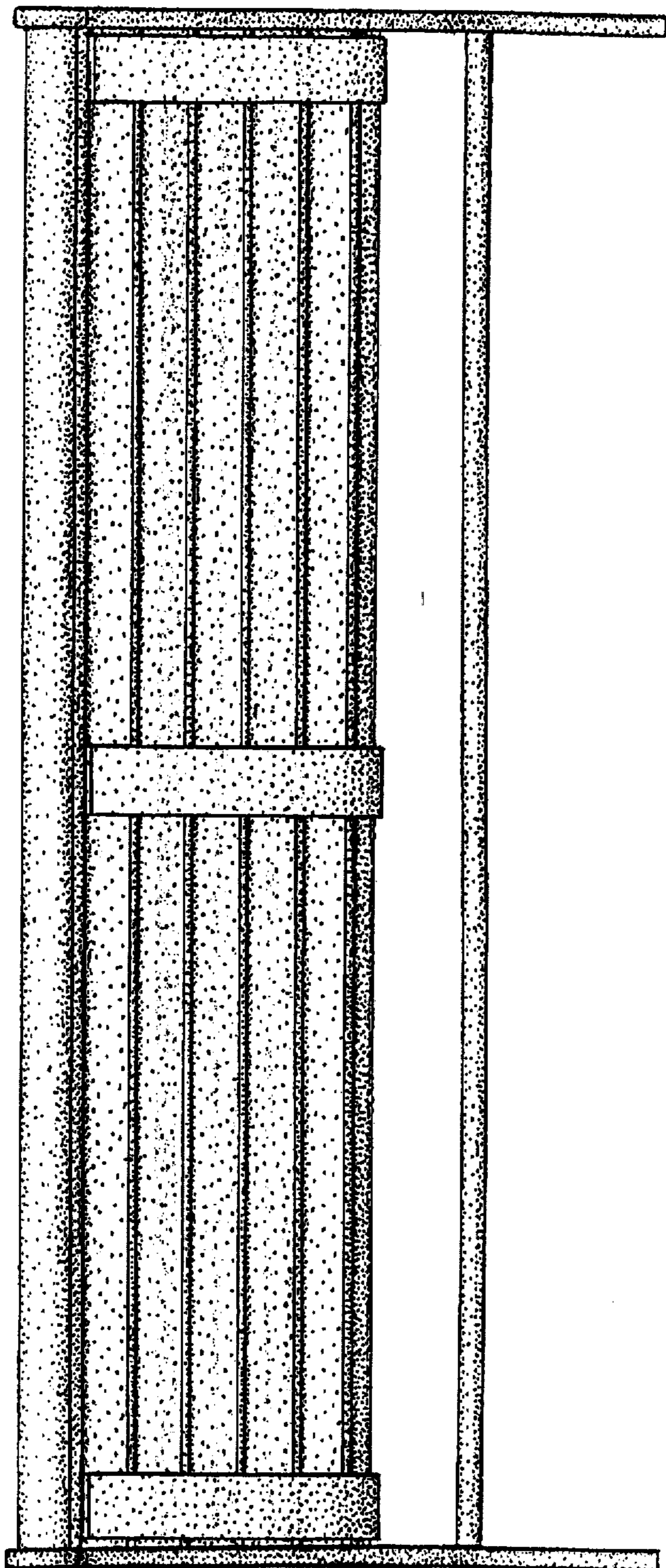
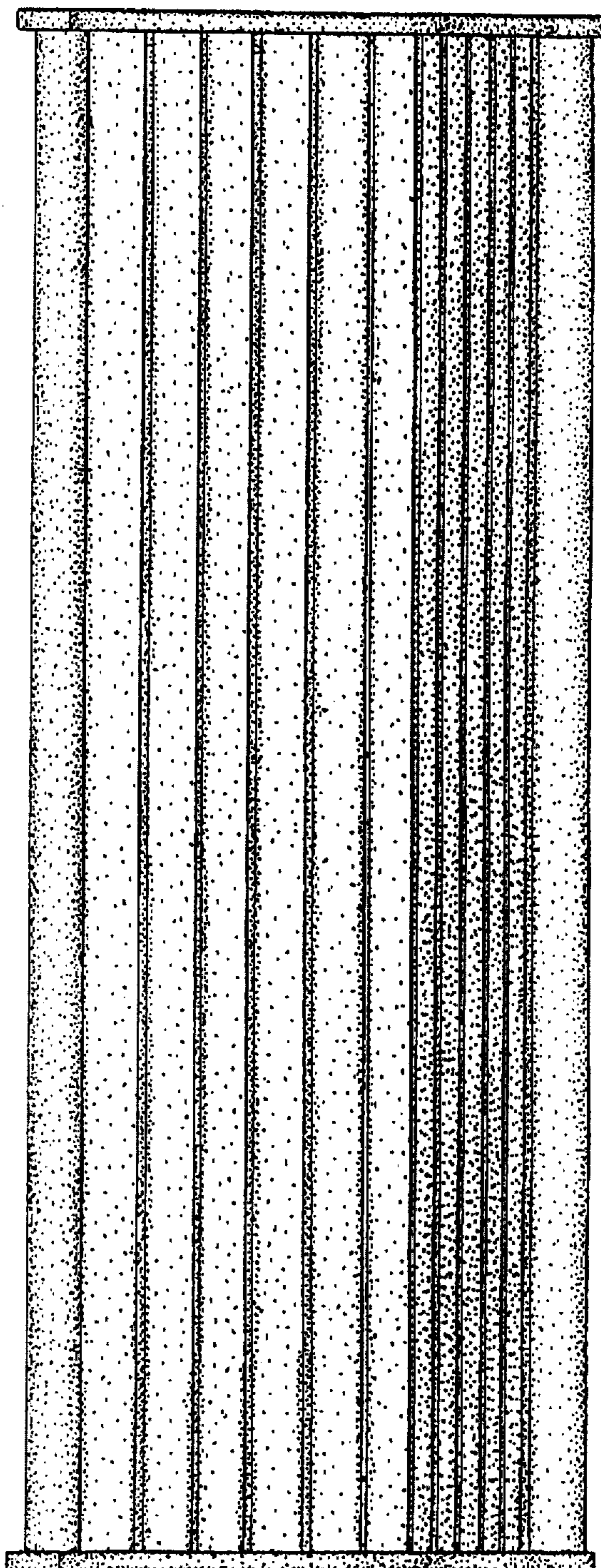


FIG. 18





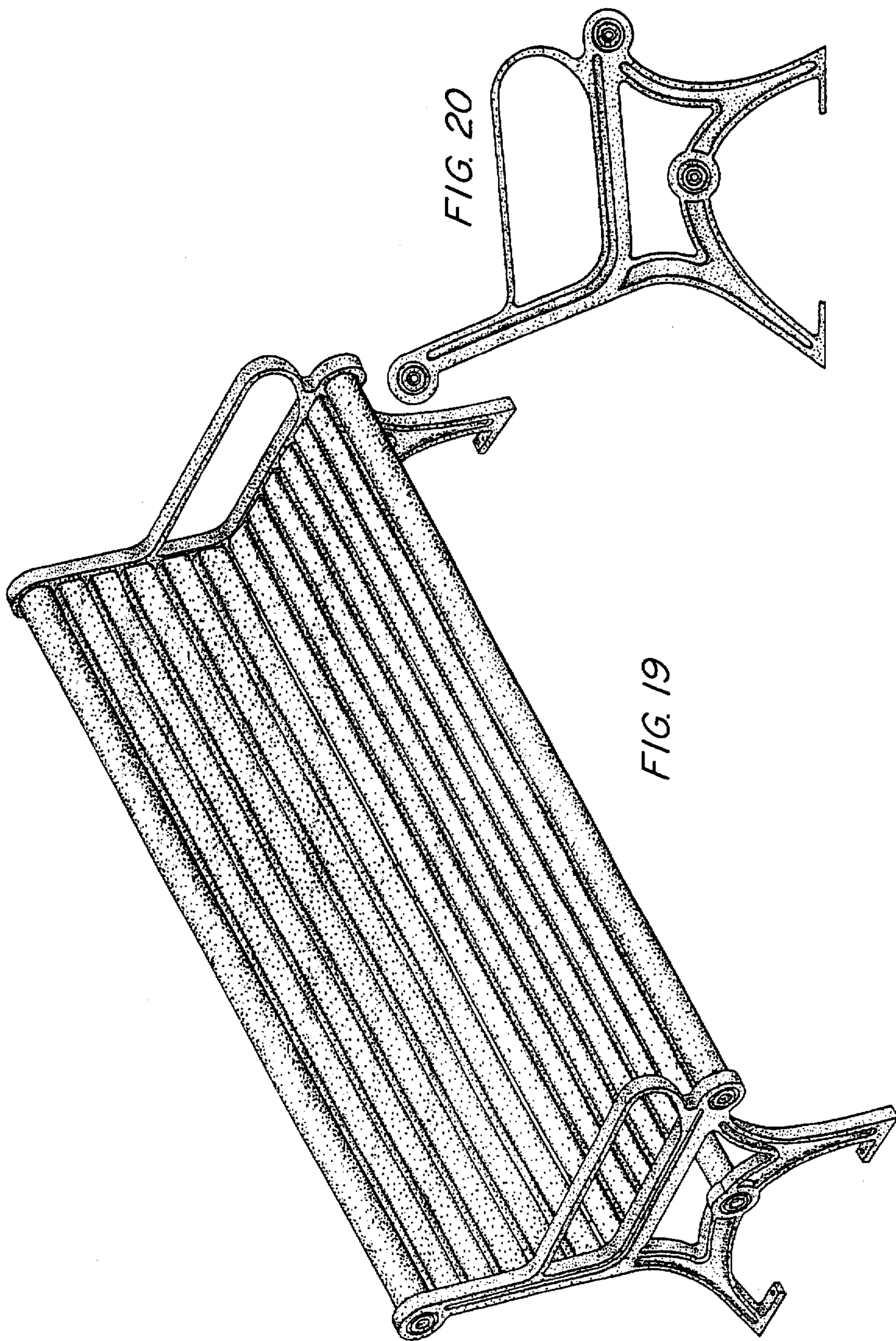


FIG. 20

FIG. 19



FIG. 21

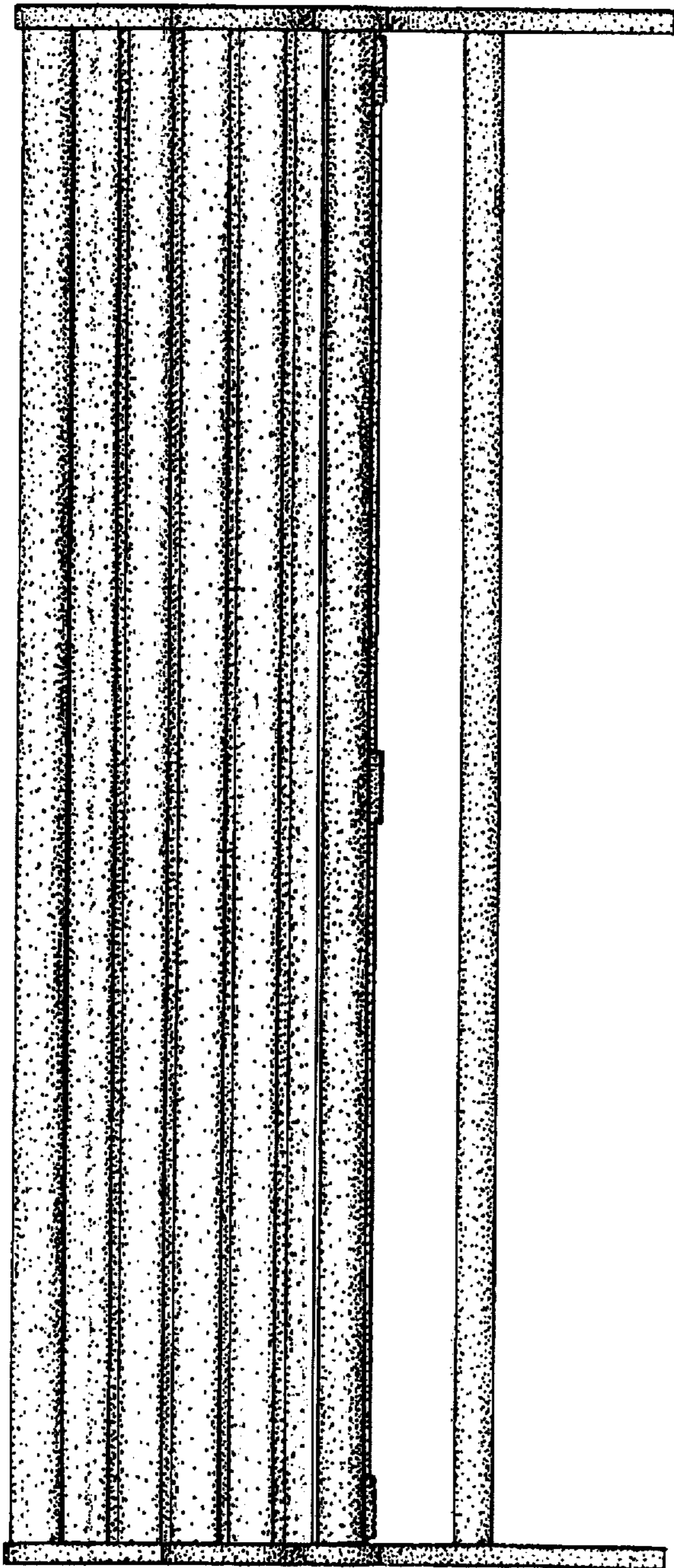


FIG. 22

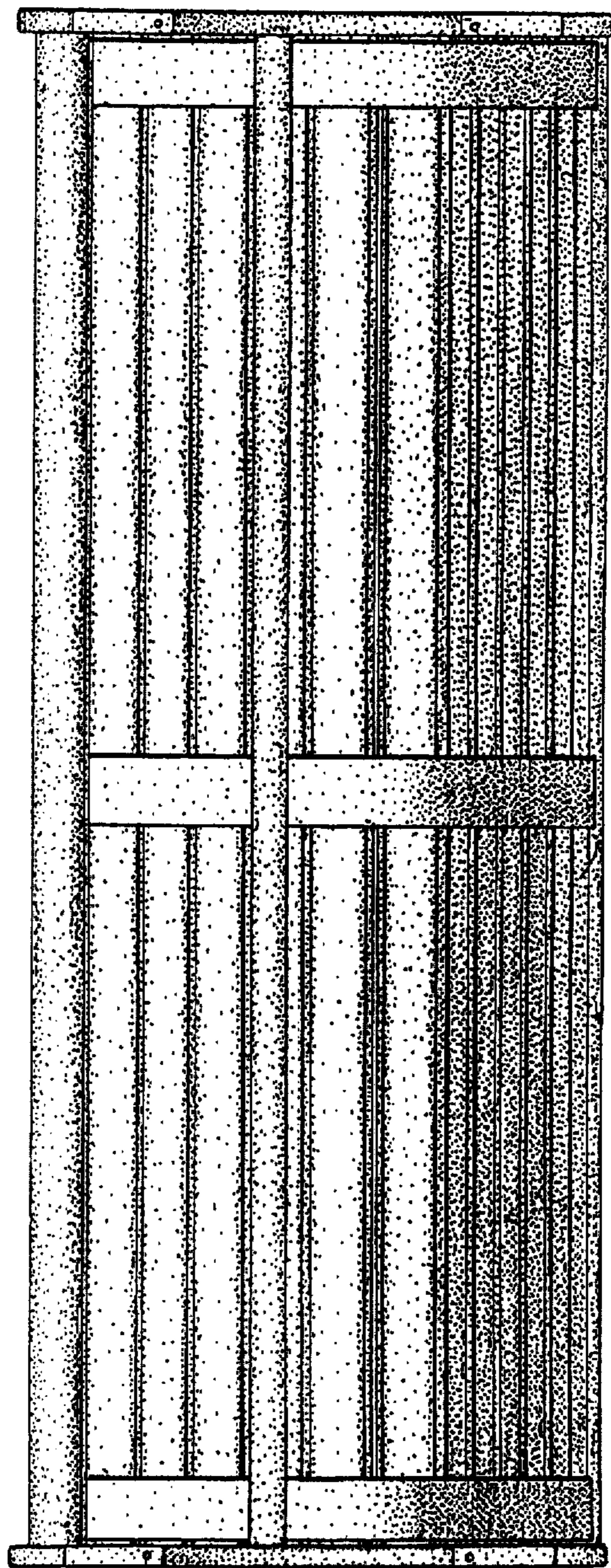




FIG. 23

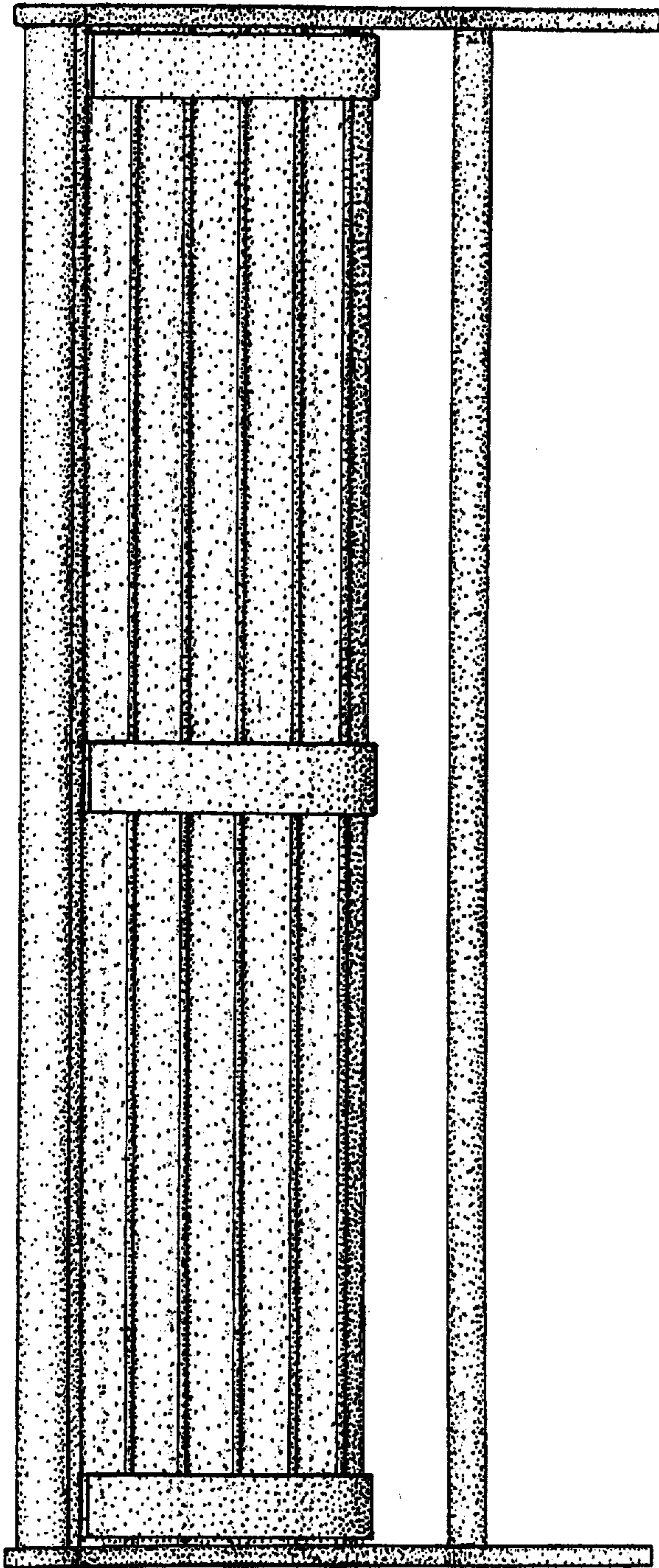


FIG. 24

