



US00D386006S

United States Patent [19] Moskovich

[11] Patent Number: **Des. 386,006**

[45] Date of Patent: ****Nov. 11, 1997**

[54] **TOOTHBRUSH**

[75] Inventor: **Robert Moskovich, East Brunswick, N.J.**

[73] Assignee: **Colgate-Palmolive Company, New York, N.Y.**

[**] Term: **14 Years**

[21] Appl. No.: **52,005**

[22] Filed: **Apr. 4, 1996**

[51] LOC (6) CL **04-02**

[52] U.S. Cl. **D4/104**

[58] Field of Search D4/104-112, 132-134, D4/136, 138; 15/143.1, 159.1, 167.1, 167.2, 186, 187; 132/308, 309

D. 358,032	5/1995	Schneider et al.	D4/104
D. 358,938	6/1995	Schneider et al.	D4/104
D. 359,167	6/1995	Barre	D4/104
D. 359,168	6/1995	Schiffer	D4/104
D. 359,623	6/1995	Kinoshita et al.	D4/104
D. 362,963	10/1995	Brady et al.	D4/104
D. 363,373	10/1995	Heinzelman et al.	D4/104
D. 363,820	11/1995	Winge	D4/108
958,371	5/1910	Danek	15/167.1
1,910,304	5/1933	McKinley	15/167.1 X
2,094,240	9/1937	Herrick et al.	15/167.1
2,263,885	11/1941	McGauley	15/143.1
2,266,195	11/1941	Hallock	15/167.1
5,339,482	8/1994	Desimone et al.	15/167.1
5,396,678	3/1995	Bredall et al.	15/167.1
5,396,679	3/1995	Brown et al.	15/167.1
5,398,369	3/1995	Heinzelman et al.	15/167.1

[56] **References Cited**

U.S. PATENT DOCUMENTS

D. 136,156	8/1943	Fuller	D4/104
D. 160,919	11/1950	Brooks	D4/104
D. 204,869	5/1966	Solberg	D4/104
D. 219,121	11/1970	Krahner	D4/104
D. 257,192	10/1980	Moses	D4/104
D. 273,724	5/1984	Gillow	D4/104
D. 274,018	5/1984	Usui	D4/105
D. 278,002	3/1985	Swope, Jr.	D4/104
D. 308,138	5/1990	Redmond	D4/104
D. 318,571	7/1991	Sletbak	D4/104
D. 318,760	8/1991	Kreisher	D4/104
D. 329,751	9/1992	Booth et al.	D4/104
D. 330,116	10/1992	Crawford et al.	D4/104
D. 330,459	10/1992	Makinami	D4/104
D. 331,320	12/1992	Kreisher et al.	D4/104
D. 336,369	6/1993	Harden	D4/104
D. 336,991	7/1993	Makinami et al.	D4/104
D. 346,276	4/1994	Sherman et al.	D4/104
D. 346,277	4/1994	Sherman et al.	D4/104
D. 346,902	5/1994	Makinami et al.	D4/104
D. 347,736	6/1994	Schneider et al.	D4/104
D. 347,943	6/1994	Perry	D4/104
D. 349,605	8/1994	Schneider et al.	D4/104

Primary Examiner—Joel Sincavage
Assistant Examiner—Lavone D. Tabor
Attorney, Agent, or Firm—Richard J. Ancel; James M. Serafino

[57] **CLAIM**

The ornamental design for a toothbrush, as shown and described.

DESCRIPTION

FIG. 1 is a top plan view of a toothbrush showing my new design;
FIG. 2 is a left side elevational view thereof, the right elevation view being a mirror image thereof;
FIG. 3 is a bottom plan view thereof;
FIG. 4 is an elevational view as seen from the head end thereof;
FIG. 5 is an elevational view as seen from the handle end thereof;
FIG. 6 is a perspective view thereof from the top of the brush; and,
FIG. 7 is a perspective view thereof from the bottom of the brush.
FIGS. 4-7 are shown on an enlarged scale.

1 Claim, 2 Drawing Sheets

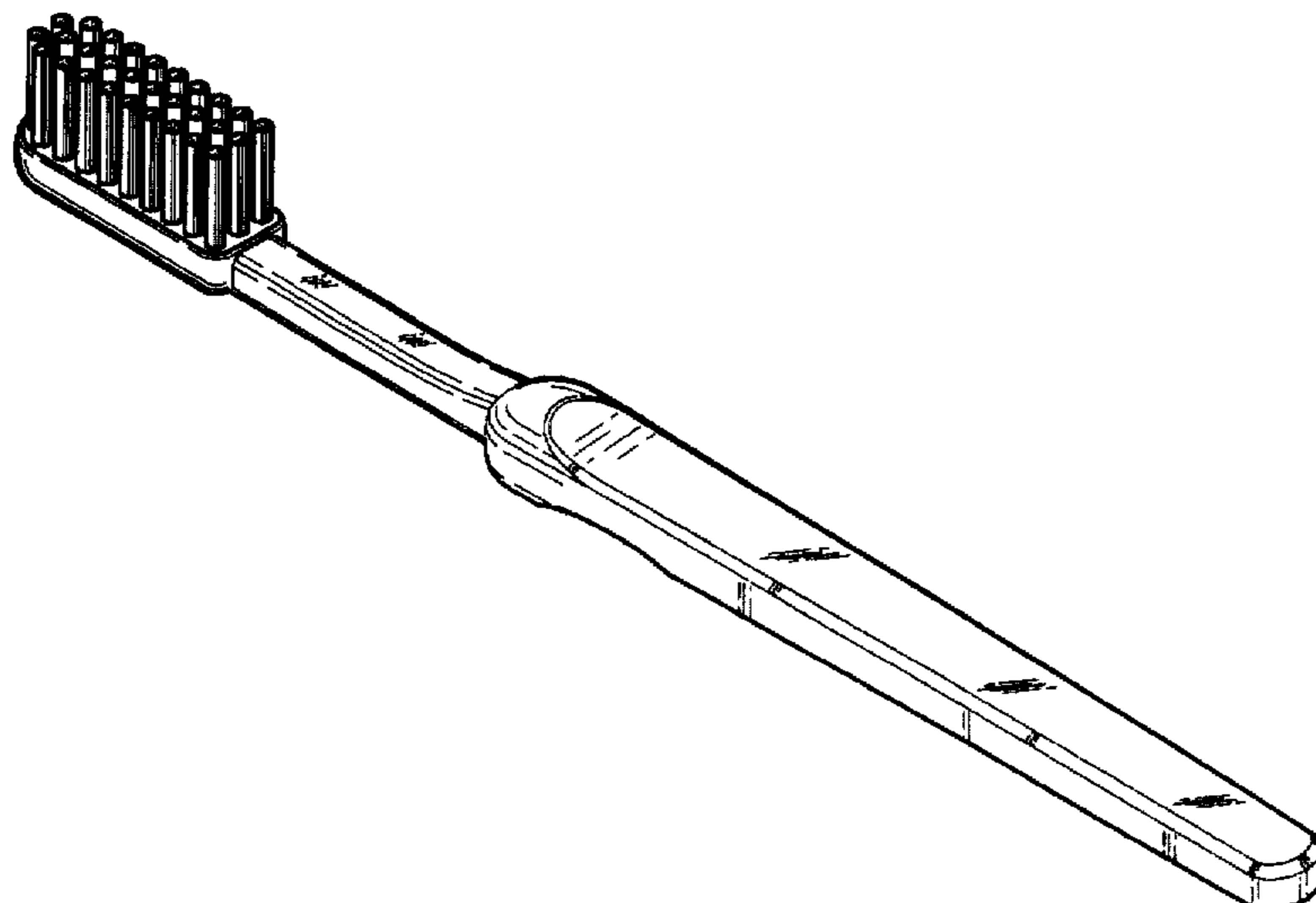


FIG. 1



FIG. 2

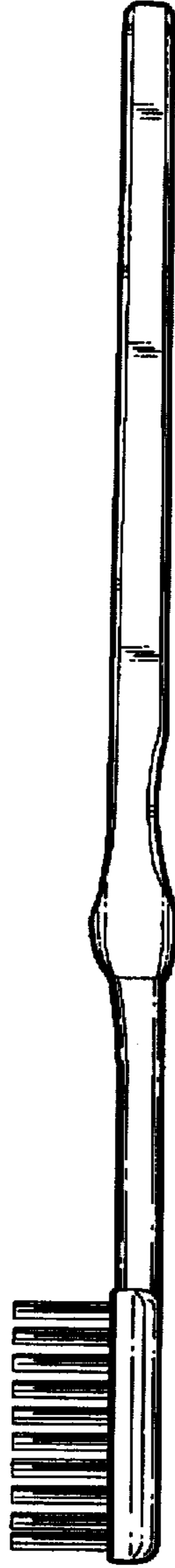


FIG. 3



FIG. 4

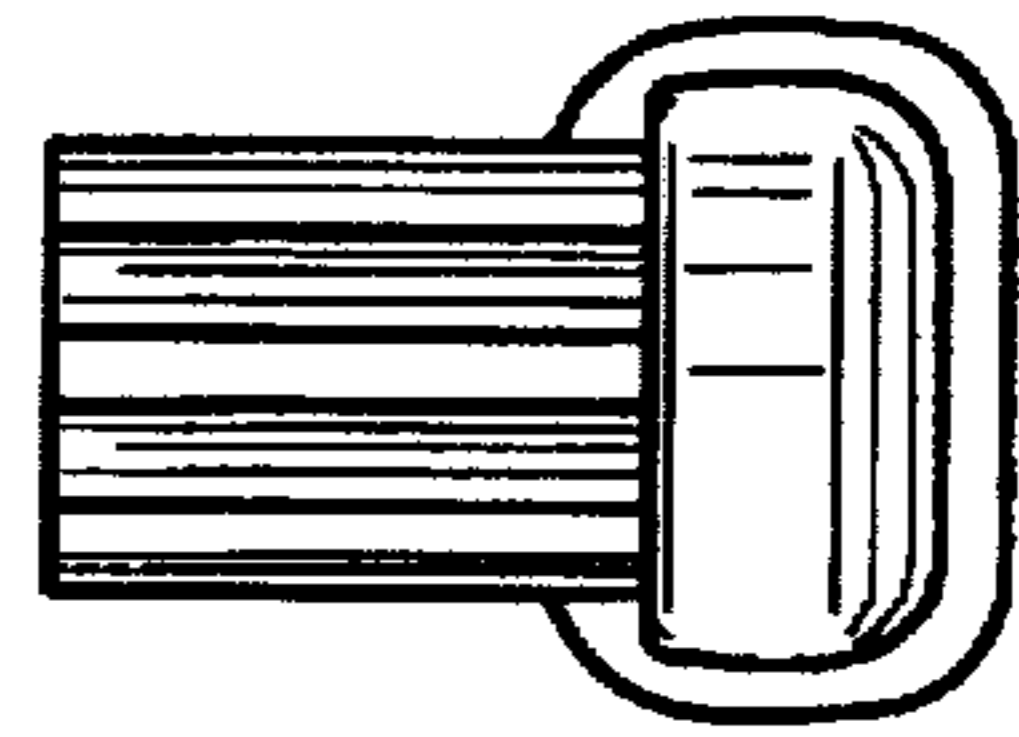
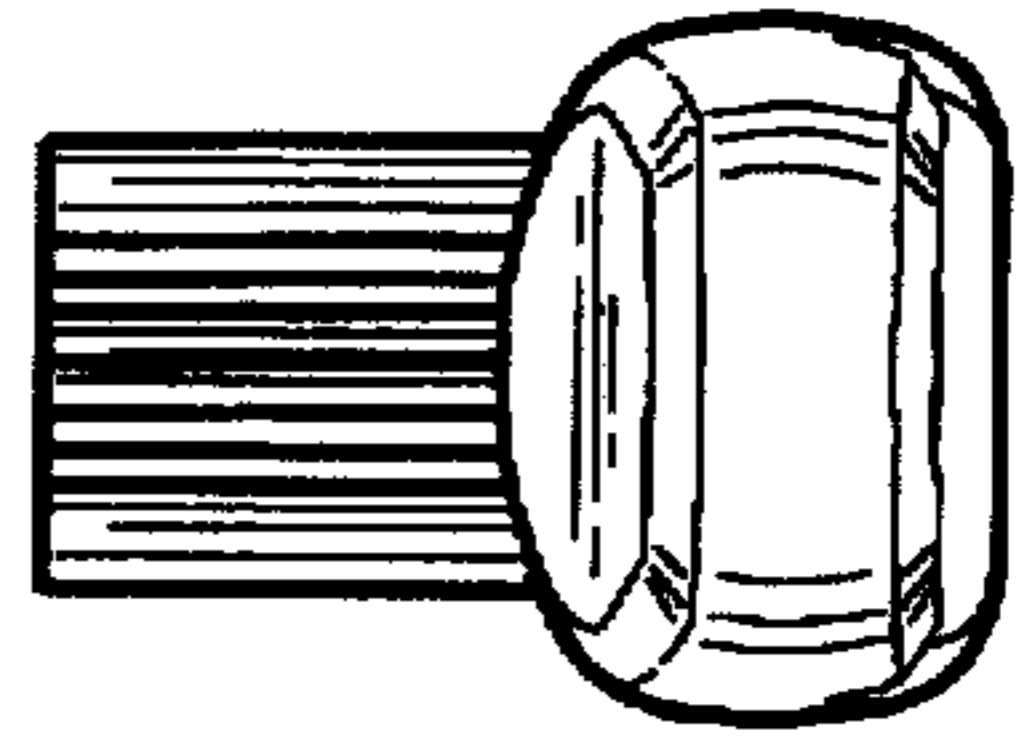


FIG. 5



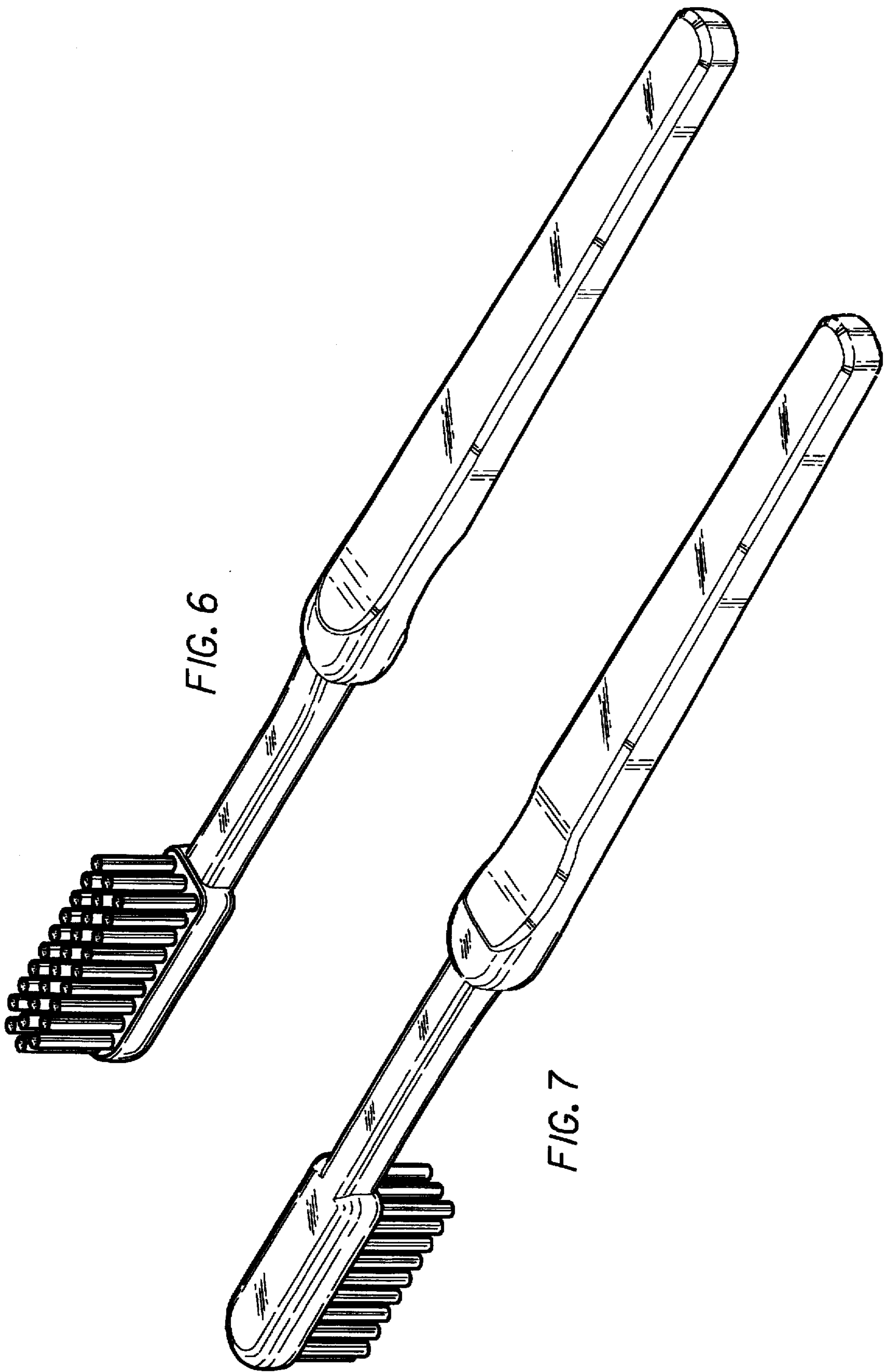


FIG. 6

FIG. 7