

US00D386005S

# United States Patent [19] Moskovich

[11] Patent Number: **Des. 386,005**  
[45] Date of Patent: **\*\*Nov. 11, 1997**

[54] **TOOTHBRUSH**  
[75] Inventor: **Robert Moskovich, East Brunswick, N.J.**  
[73] Assignee: **Colgate-Palmolive Company, New York, N.Y.**  
[\*\*] Term: **14 Years**  
[21] Appl. No.: **52,004**  
[22] Filed: **Apr. 4, 1996**  
[51] LOC (6) Cl. .... **04-02**  
[52] U.S. Cl. .... **D4/104**  
[58] Field of Search ..... **D4/104-112, 132-134, D4/136, 138; 15/143.1, 159.1, 167.1, 167.2, 186, 187; 132/308, 309**

2,229,664 1/1941 Meeske ..... 15/167.1  
2,263,885 11/1941 McGauley ..... 15/143.1  
2,548,255 4/1951 Cressler ..... 300/21  
2,618,801 11/1952 Hibbs ..... 15/167.1  
2,690,579 10/1954 Backstrom ..... 15/167.1  
2,814,818 11/1957 Birse ..... 15/143.1  
3,302,230 2/1967 Poppelman ..... 15/167.1  
4,519,109 5/1985 Raymond ..... 15/110  
4,731,896 3/1988 de La Tour ..... 15/106  
4,776,055 10/1988 Nelson ..... 15/167.1  
4,788,734 12/1988 Bauer ..... 15/105

Primary Examiner—Joel Sincavage  
Assistant Examiner—Lavone D. Tabor  
Attorney, Agent, or Firm—Richard J. Ancel; James M. Serafino

### [57] CLAIM

The ornamental design for a toothbrush, as shown and described.

### DESCRIPTION

FIG. 1 is a top plan view of a toothbrush showing my new design;  
FIG. 2 is a left side elevational view thereof, the right elevation view being a mirror image thereof;  
FIG. 3 is a bottom plan view thereof;  
FIG. 4 is an elevational view as seen from the head end thereof;  
FIG. 5 is an elevational view as seen from the handle end thereof;  
FIG. 6 is a perspective view thereof from the top of the brush; and,  
FIG. 7 is a perspective view thereof from the bottom of the brush.  
FIGS. 4-7 are shown on an enlarged scale.

1 Claim, 2 Drawing Sheets

### [56] References Cited

#### U.S. PATENT DOCUMENTS

D. 123,388 11/1940 Duey ..... D4/104  
D. 157,707 3/1950 Shelsey ..... D4/120  
D. 172,693 7/1954 Wibbelsman et al. .... D4/104  
D. 179,985 4/1957 Scholl ..... D4/132  
D. 205,281 7/1966 Cutler et al. .... D4/112  
D. 207,303 4/1967 Moll ..... D4/105  
D. 258,143 2/1981 Flick ..... D4/104 X  
D. 315,060 3/1991 Purushothaman ..... D4/104  
D. 320,889 10/1991 Berti ..... D4/138  
D. 324,311 3/1992 Mueller ..... D4/119  
D. 334,474 4/1993 Saucedo ..... D4/104  
D. 343,955 2/1994 Peters, Jr. .... D4/104  
D. 346,276 4/1994 Sherman et al. .... D4/104  
D. 346,277 4/1994 Sherman et al. .... D4/104  
1,657,450 1/1928 Barnes ..... 15/167.1  
1,984,787 11/1934 Elliot ..... 15/143.1  
2,094,240 9/1937 Herrick et al. .... 15/167.1

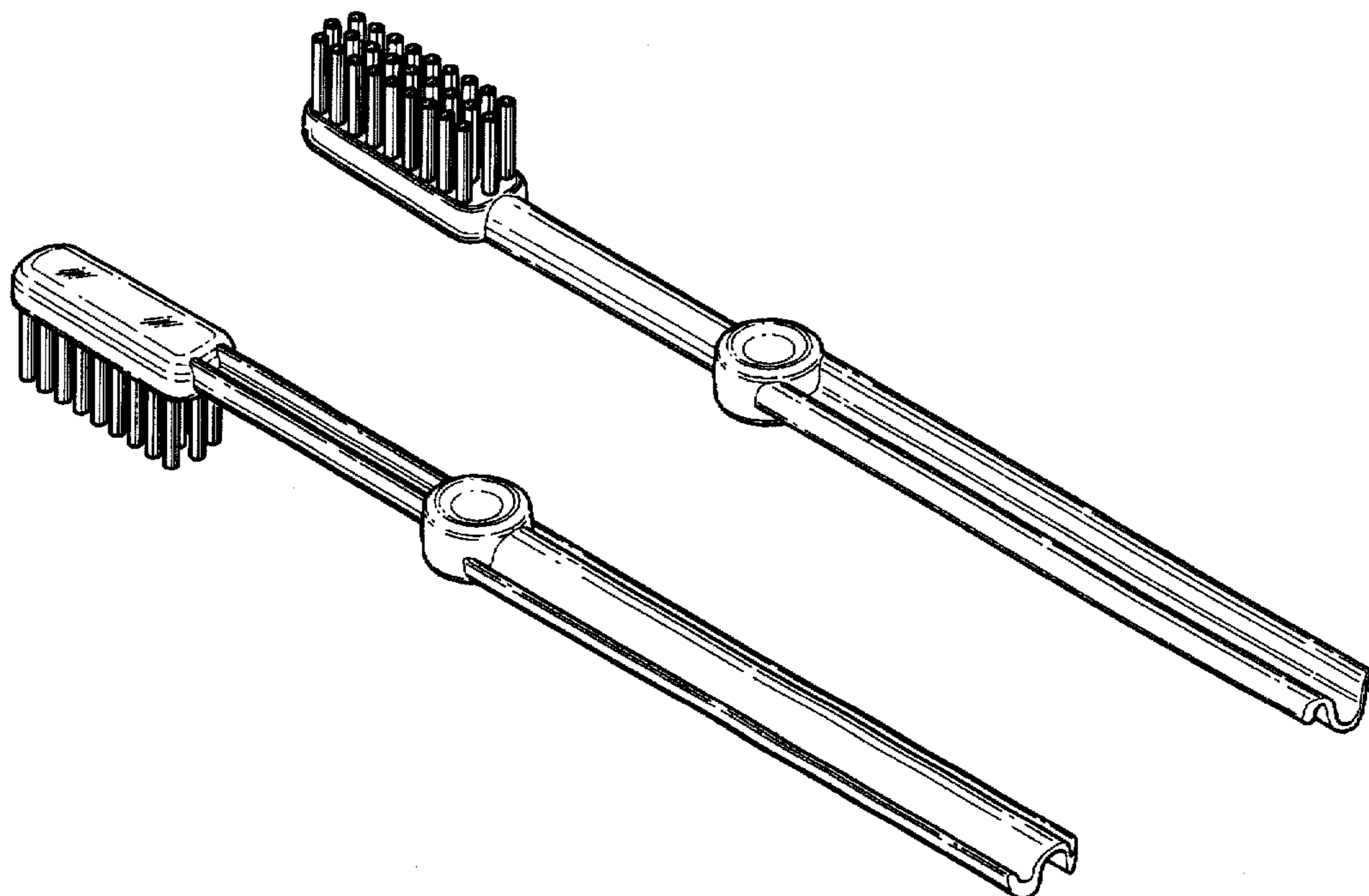


FIG. 1

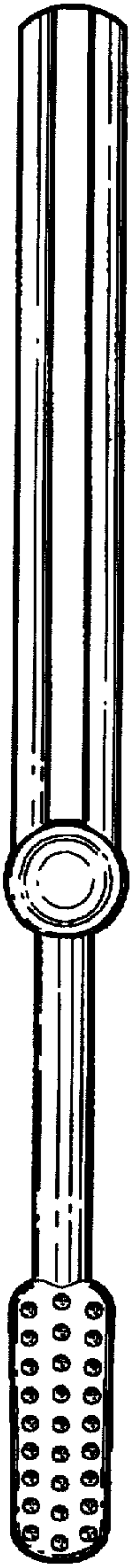


FIG. 2

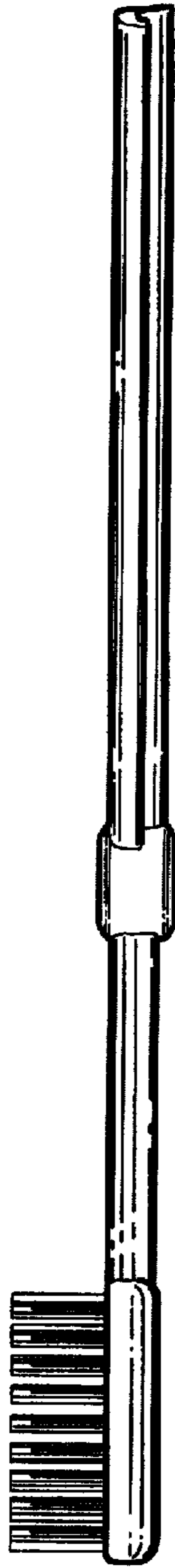


FIG. 3

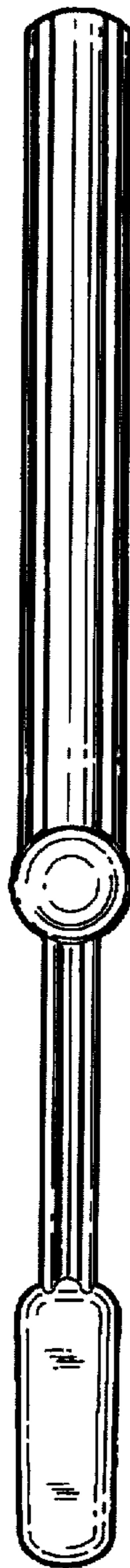


FIG. 4

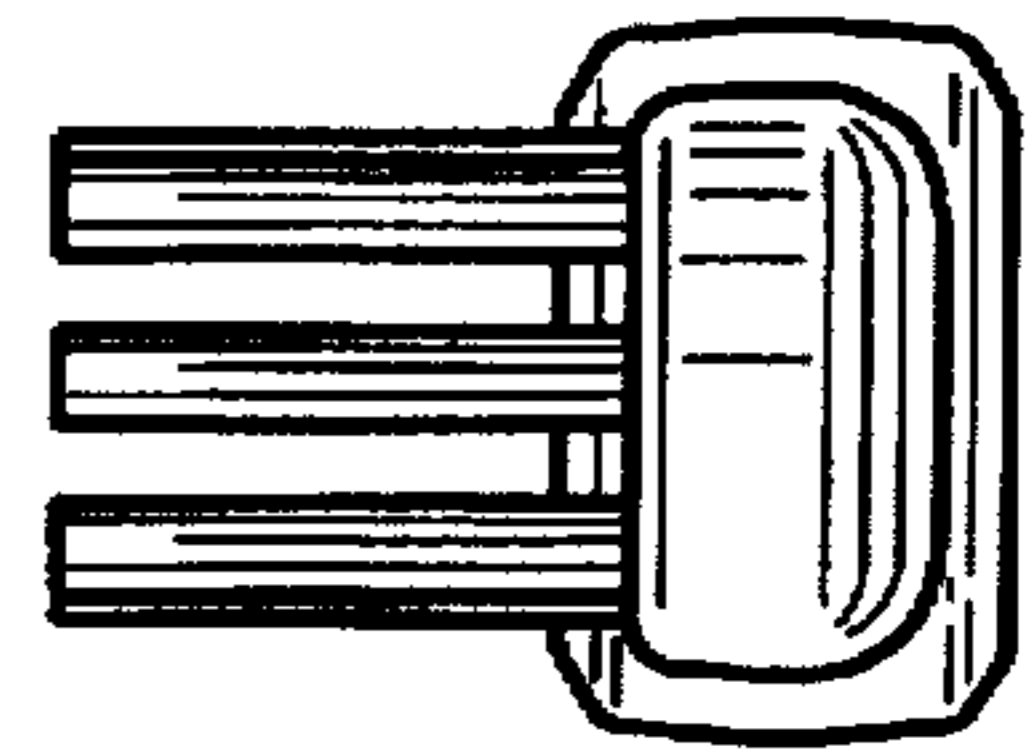
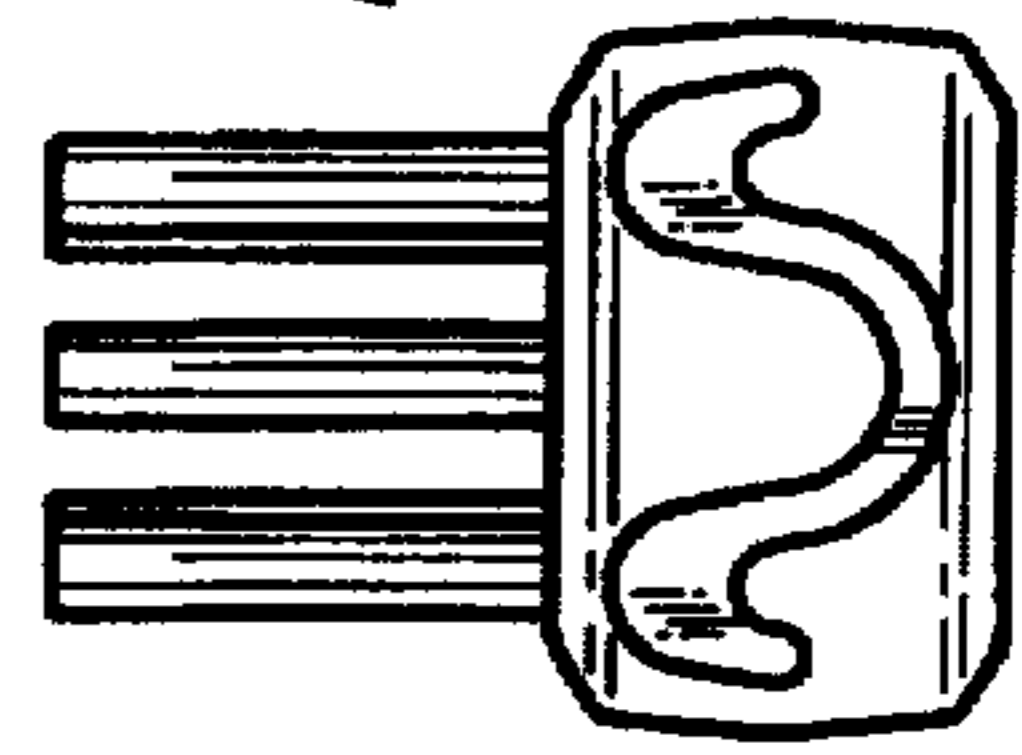


FIG. 5



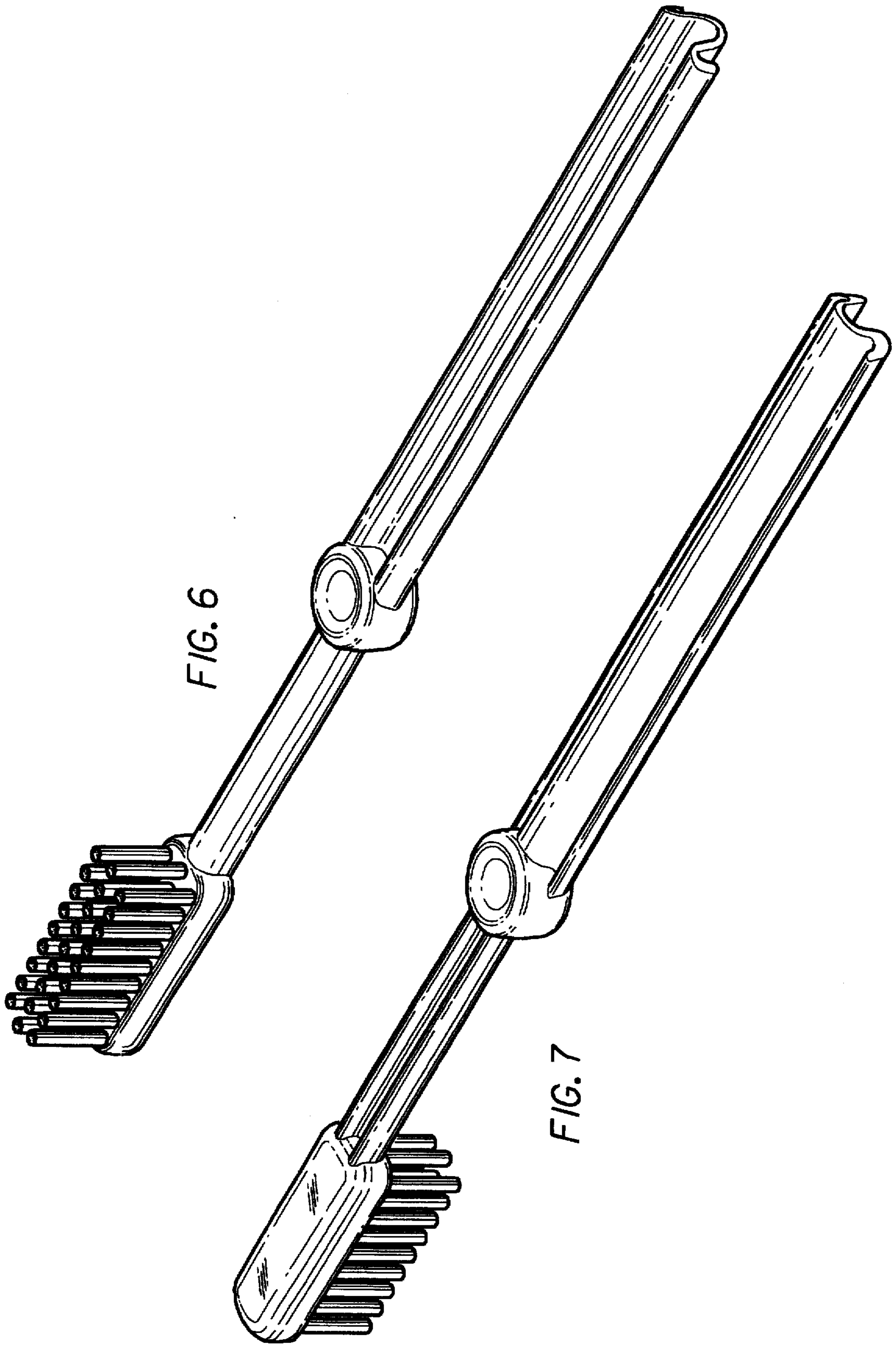


FIG. 6

FIG. 7